



2 Door Robe

Hardware Kit



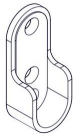
Ax13



Bx13



Cx4



Dx2



Ex19



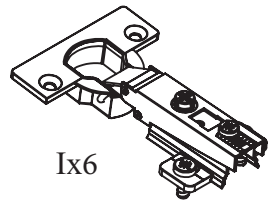
Fx50



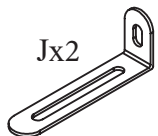
Gx5



Hx14



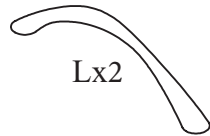
Ix6



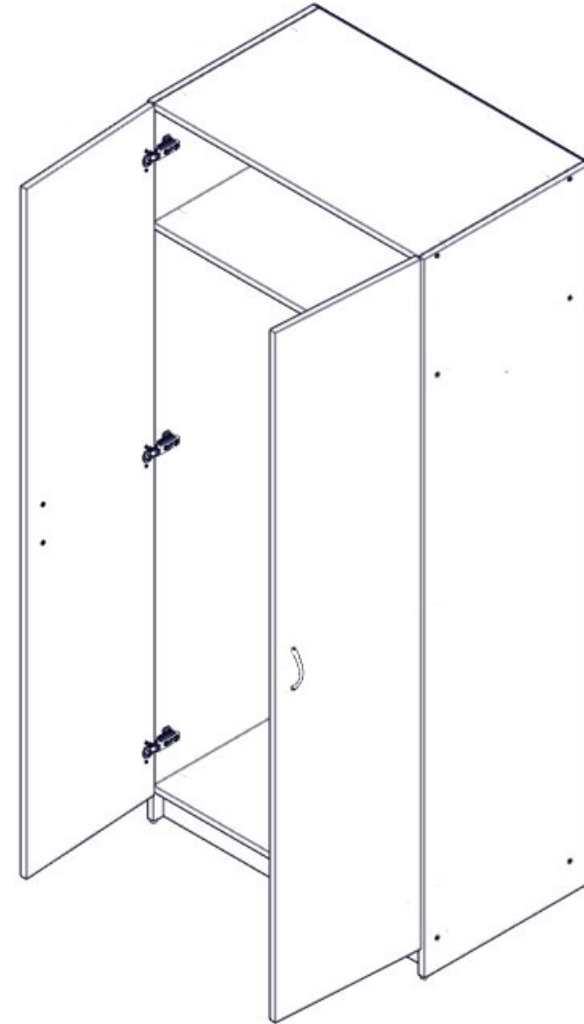
Jx2

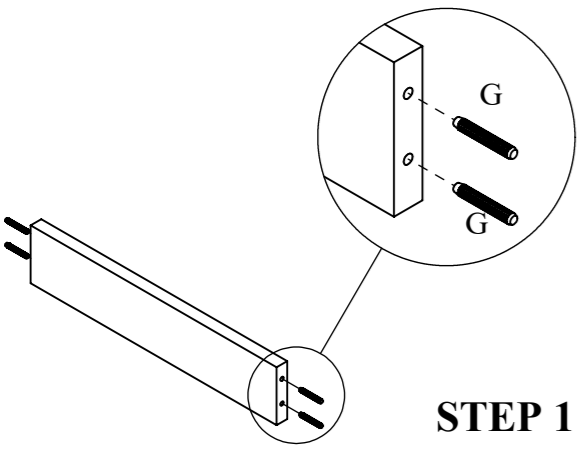


Kx4

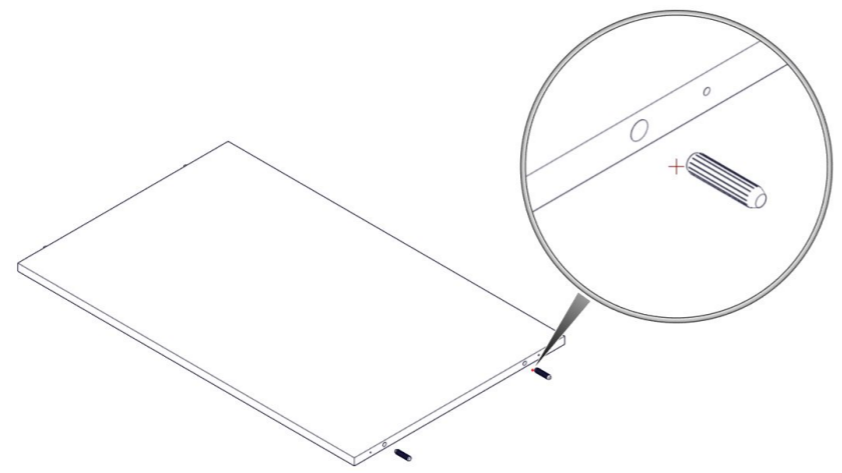


Lx2

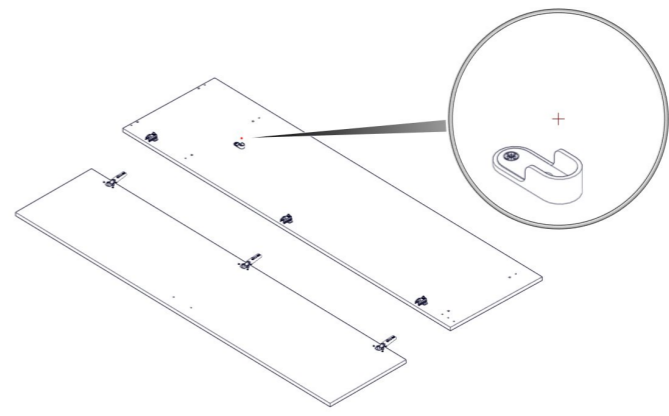




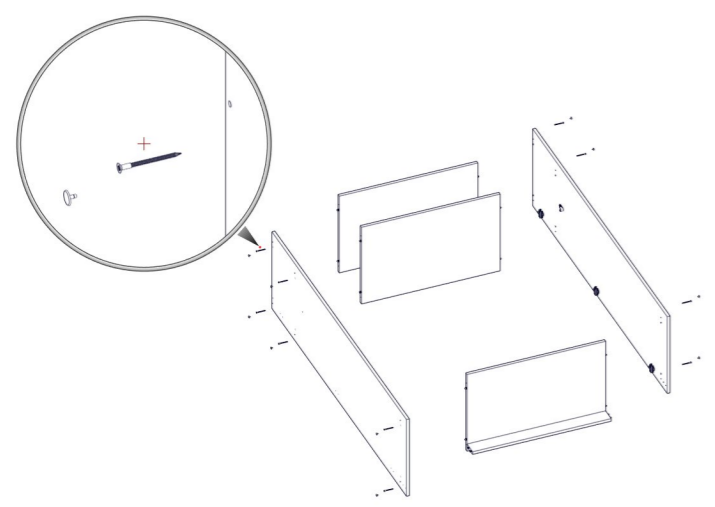
STEP 1



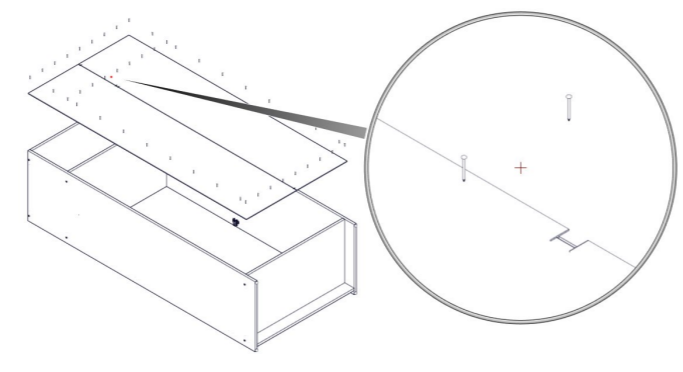
STEP 2



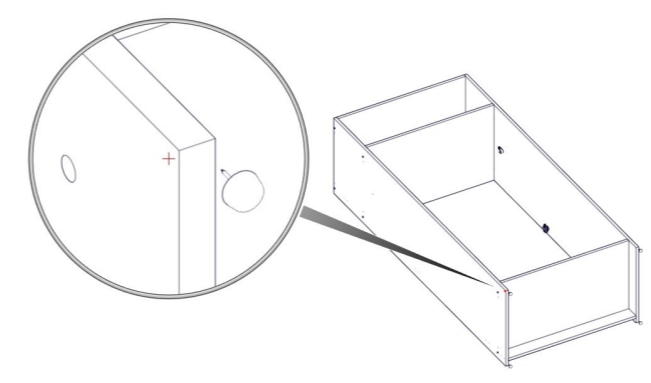
STEP 3



STEP 4

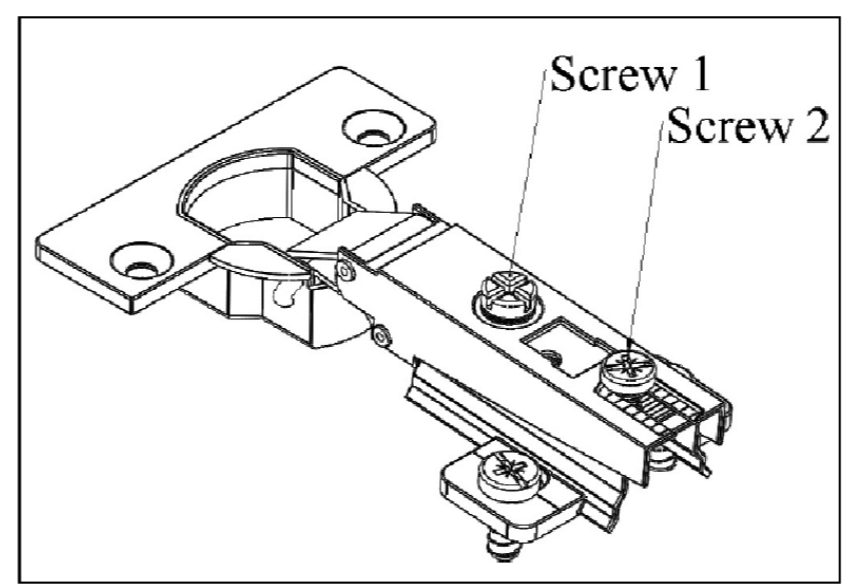
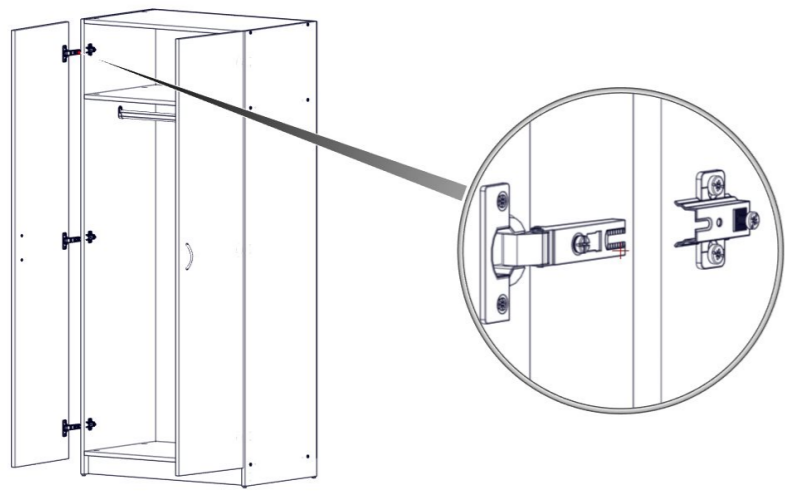


STEP 5



STEP 6

Hinge Adjustment Instructions



- **Screw 1** is used for adjustment
 - **Screw 2** is used to secure hinge to hinge plate
- The following instructions explain hinge adjustment if gap between the doors is too wide:
1. Start from the top hinge
 2. Loosen **screw 2** by turning screw in an anti-clockwise direction.
 3. Now, turn screw 1 in a clockwise direction (the amount to turn this screw is determined by the width of

- the gap between the doors).
4. Tighten **screw 2** by turning in a clockwise direction
5. Repeat this step for all the hinges.
6. Check gap between doors (should be approximate 2mm), if not repeat steps 1 to 5.