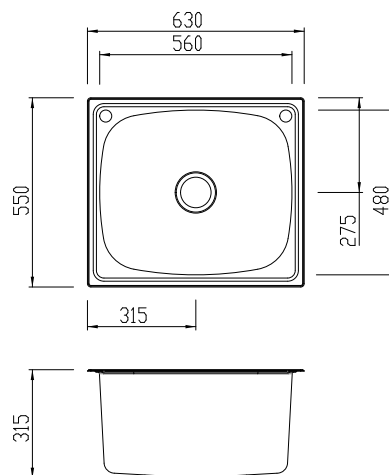


TI70S

Laundry

Oliveri®



INCLUDED ACCESSORIES



RECOMMENDED TAPWARE



OPTIONAL ACCESSORIES



SPECIFICATIONS

Description

70L laundry tub with rinse bypass kit

Sink Size

630W x 550H

70L Tub Bowl

560W x 480H x 305D / 70L

Construction	Single piece
Material	304 grade, 18/10 polished stainless steel (0.8mm thick)
Installation	Inset recommended.
Fixings	Adjustable clips and sealing foam supplied
Cut Out Template	610 x 530mm
Min Cabinet Size	700mm
Tap holes	Available 0 - 2 tap hole (specify positioning when ordering)
Waste fittings	1 x 90mm basket waste included
Overflow	Available, conditions apply
Carton Size	640 x 560 x 340mm
Weight	8.0kg
Warranty	Lifetime manufacturer's warranty (refer to oliverisinks.com)

For more information call **1300 13 7465** or visit www.oliverisinks.com

