

# BOSE714PTX

## 75cm, 14 Function, Fully Touch Control Pyrolytic Oven

**BLANCO**



### Model Code

BOSE714PTX

### Description

75cm 14 Function, Pyrolytic Oven with Touch Control Operation

### Accessories

Included Accessories:

- 2 x safety anti-tip shelves
- 1 x grill insert
- 1 x grill handle
- 1 x QuartzClean baking dish
- 2 x extendable telescopic runners

### Warranty

BLANCOCare™ 2 years parts & labour

### Features

#### QuartzClean Enamelled Interior

Hard wearing QuartzClean enamel cavity facilitates the cleaning of the cooking chamber. The nicklefree composition allows the enamel to withstand temperatures up to 600°C whilst resisting acidic spills.

#### Pyrolytic and Pyrolytic ECO Self-Cleaning Options

Offering two separate cleaning functions, this efficient cleaning system saves you time and money. No need for chemical based products. The oven is cleaned thoroughly and any debris is turned into ash which can be easily wiped after the cycle is complete.

#### PyroVari

Ability to choose the time that the pyro process takes choosing anything between 1 hour and 3 hrs. It is a highly efficient cleaning system which saves your time and money spent on cleaning products.

#### Quad Glazed Door

The quadruple layered door with thermo-reflective glass offers not only a cooler to touch surface but also increases the energy efficiency as the heat is retained within the oven.

#### Fully Programmable Timer

The fully programmable touch control operation enables you to set the start and finish time of your cooking where the oven will automatically switch off when finished.

#### HeatBoost

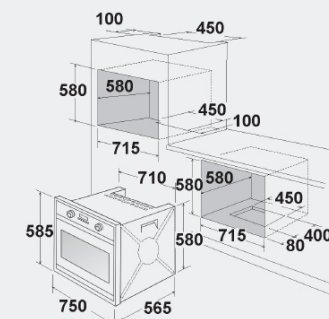
This is a boost preheat option whereby it quickens the amount of time spent preheating the oven. Once the set temperature is reached a warning sound will beep for 5 seconds to inform the user.

#### Night Mode

Automatically dims the light and the buzzer becomes silent between the hours of 10pm and 8am.

### Benefits

## Specifications



Product Dimensions:	H585 x W750 x D565mm
Cut-out size (proudmount):	H580 x W715 x D580mm
Cut-out size (flushmount):	H588 x W753 x D580mm
Power Requirement:	220-240V – 50Hz
Electrical connection:	15 amp – cable supplied, hard wired
Oven volume:	89 litre capacity
Oven Functions:	Fan Forced, Fan Assist, Fan Grill, Traditional, Traditional ECO, Bottom Element, Full Grill, Bakers Function, Bottom Element with Fan, Fan Assist with Bottom Element and Grill Element, Pyrolytic, PyroVari, Defrost, Light
Lighting:	25 W

### Oven Elements:

Grill element:	3500 W
Oven bottom element:	2100 W
Fan forced element:	2500 W
Hot air fan motor:	20-25 W
Cooling fan motor:	25 W

NOTE: It is advisable to check dimensions of physical product when measuring for installation and before doing any cut outs.

\*Due to continual product development the information provided is not final and may be subject to change.