



USER MANUAL

This manual covers the following models:

Power Breezer & Breezer O2

Version 1.2

Congratulations on your selection of a Breezer Mobile Cooling evaporative cooling unit. We are proud of our products and have designed this cooling unit for years of safe, reliable service. This user manual will instruct you in the proper operation and maintenance of the Power Breezer® and O2™ models (hereinafter together, the “Cooling Unit”). Please read through this manual before operating your Cooling Unit.

SAVE THIS MANUAL

TABLE OF CONTENTS

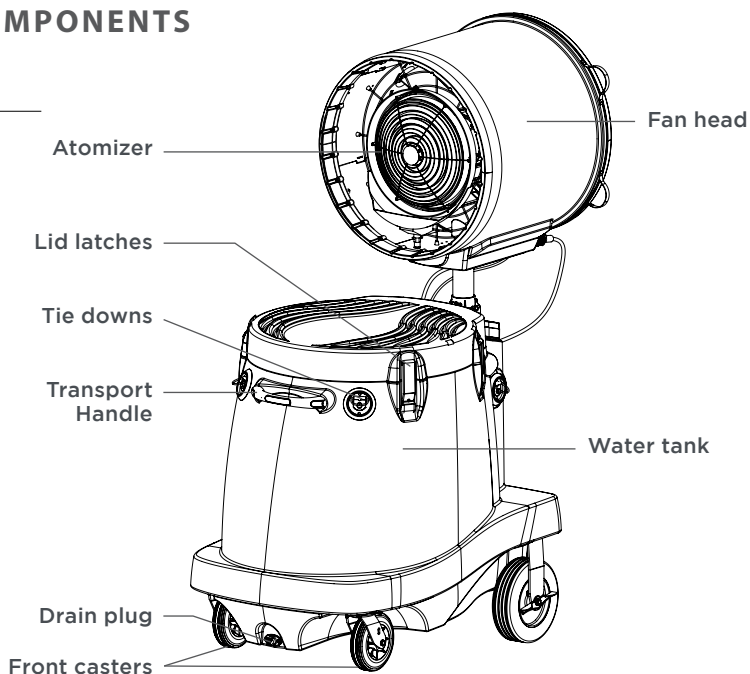
A.	WARNINGS	3
I.	KEY COMPONENTS	4
II.	SETUP	6
	1. Mounting the fan head:	6
	2. Fan Head connections:	8
	3. Using the correct outlet:	10
	4. Adding water to the tank:	11
III.	OPERATION	12
	1. Control panel – Buttons:	12
	2. Turning on your Cooling Unit:	13
	3. Adjusting the misting level:	13
	4. Control panel – Locking feature:	14
	5. Control panel – Memory feature:	14
	6. Control panel – Dim/Brighten LED lights:	14
IV.	DISASSEMBLY	15
	1. Disconnecting the hoses:	16
	2. Dismounting fan head:	17
V.	TRANSPORTING YOUR COOLING UNIT	19
VI.	MAINTAINING YOUR COOLING UNIT	20
	1. Cleaning the water pump:	20
	2. Cleaning the water system:	21
	3. Maintaining the water tank:	22
	4. Maintaining the fan head and motor:	23
	5. Additional tips and hints:	23
VII.	TROUBLESHOOTING	24
VIII.	WARRANTY	25
IX.	CONTACT INFORMATION	26
X.	AVAILABLE ACCESSORIES	27

A. WARNINGS

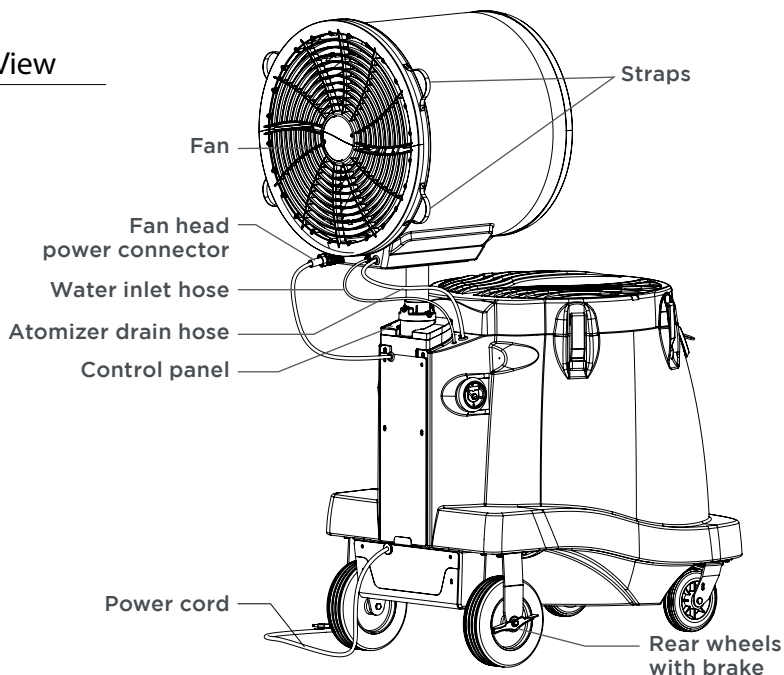
- This Cooling Unit is intended for use only as specified in this manual. If you have questions about its use, please contact Breezer Mobile Cooling. **1-844-233-5673 | customerservice@breezercooling.com**
- Use only on a outlet protected by a ground-fault circuit-interrupter (GFCI). (see page 10)
- Avoid using extension cords.
- Do not allow plug to become wet. Do not plug in while hands are wet. Doing so causes risk of electric shock.
- Do not alter the plug in any way.
- If the power cord is damaged, do not attempt to repair it yourself. Contact Breezer Mobile Cooling customer service for assistance. **1-844-233-5673 | customerservice@breezercooling.com**
- Turn off and unplug the Cooling Unit prior to filling or emptying water reservoir.
- Turn off and unplug the Cooling Unit prior to moving.
- Turn off and unplug the Cooling Unit prior to cleaning it.
- Always unplug the Cooling Unit by pulling on the plug and never on the cord.
- Do not insert fingers or other objects inside the fan head, doing so may cause bodily injury.
- Children can fall into open water reservoir and drown, even in a small amount of water. Keep children away from reservoir. Keep reservoir lid on at all times.
- Closely supervise nearby children and pets when using this Cooling Unit. Do not leave Cooling Unit unattended.
- Children shall not play with the Cooling Unit.
- Cleaning and user maintenance shall not be made by children without supervision.
- The Cooling Unit is not to be used by persons (including children) with reduced physical, sensory or mental capabilities, or lack of experience and knowledge, unless they have been given supervision or instruction.
- This Cooling Unit can be used by children aged from 8 years and above and persons with reduced physical, sensory or mental capabilities or lack of experience and knowledge if they have been given supervision or instruction concerning use of the Cooling Unit in a safe way and understand the hazards involved.
- When operating Cooling Unit, use common sense. Stay clear of moving parts and only use water that is safe for drinking.
- Improper installation and or manual rotation of the Fan Head may cause a tipping hazard. (see page 8)
- If the Cooling Unit becomes damaged or malfunctions, do not attempt to repair the Cooling Unit. Doing so will void the warranty. Contact Breezer Mobile Cooling customer service for repair assistance. **1-844-233-5673 | customerservice@breezercooling.com**
- The appliance is not to be used by persons (including children) with reduced physical, sensory or mental capabilities, or lack of experience and knowledge, unless they have been given supervision or instruction" or equivalent.
- This Cooling Unit is suitable for use as a fan for tropical climates.
- This Cooling Unit is suitable for use outdoors.
- This Cooling Unit is intended for industrial use.
- This Cooling Unit is rated IP24.
- Do not throw away this user manual, keep it for reference.

I. KEY COMPONENTS

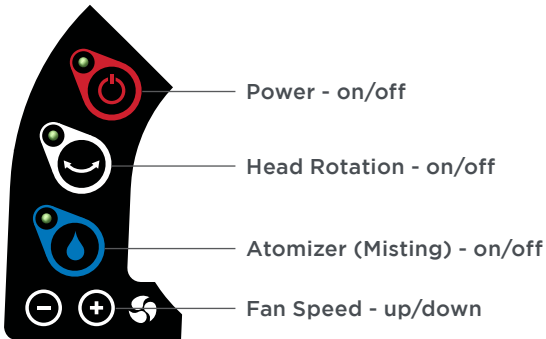
Front View



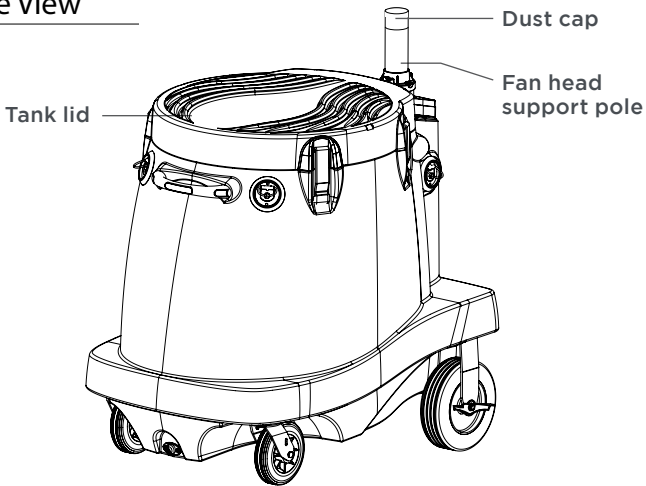
Rear View



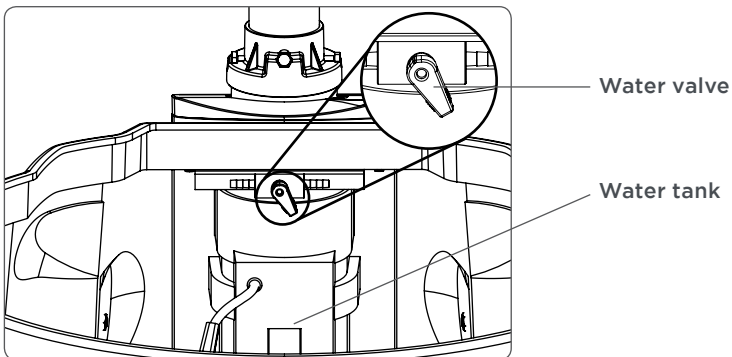
Control Panel



Storage View



Water Tank View



II. SETUP

1. Mounting the fan head:

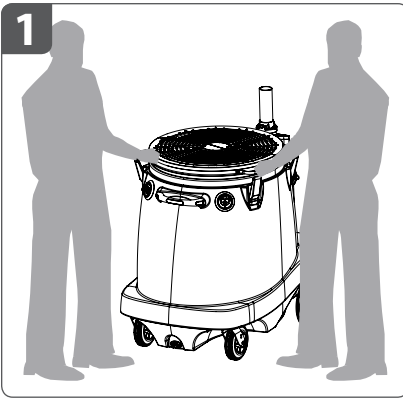


To set up your Cooling Unit, you will need:

- 2 people
- An AC outlet (110v or 220v)
- Access to water to fill the tank

Remember:

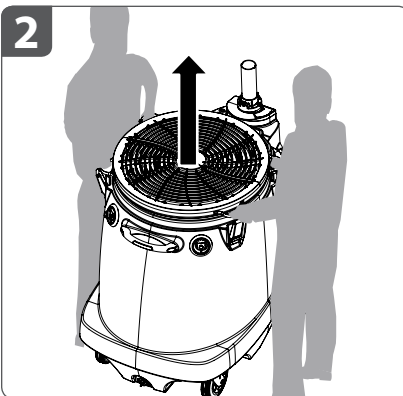
- Lift **fan head** only by the black outer shell from the top and bottom.
- **Never** lift from the fan guards.
- **Depending on the model, the Fan Head weighs ~65–90 lbs.**



1a. Before you get started, be sure to lock each of the **rear wheels** by pressing down on the brakes to set them to the **LOCK** position.

1b. Unlock the **lid latches** (4) and remove the lid.

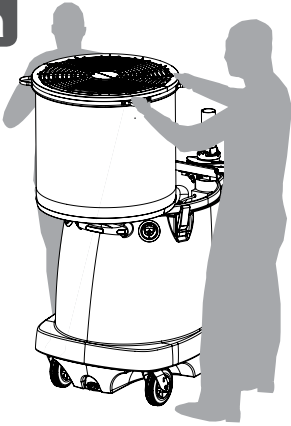
1c. Remove the blue **dust cap** from the **fan head support pole**.



2a. To lift the **fan head** out of the **tank**, each person should stand on either side of Cooling Unit.

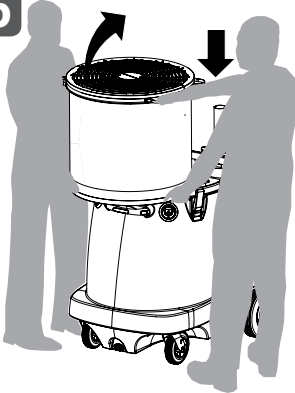
2b. Each person should hold the fan head by a **straps**, as shown.

3a



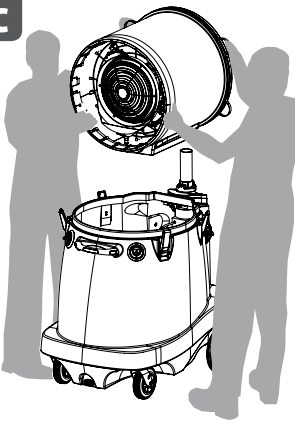
- 3a.** Lift the **fan head** straight up and out of the **tank**. Carefully rest it on the **edge of the tank** opposite of the **fan head support pole**, as shown.

3b

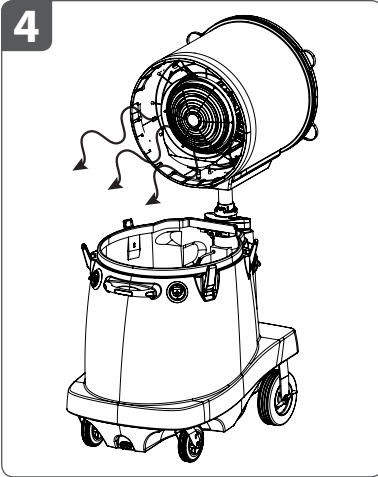


- 3b.** Adjust your grip so that each person has one hand on a **strap** and one hand on the **bottom** of the **fan head**.

3c

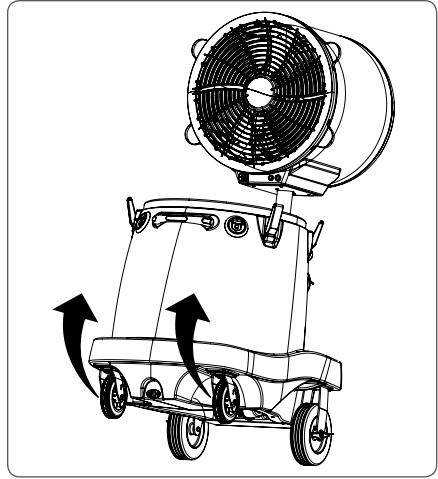


- 3c.** Once again, lift the **fan head** and **align it with the fan head support pole**. Turn the **fan head** until you feel it engage.



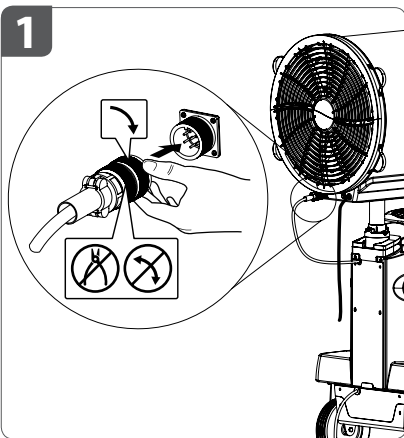
Once installed, the **atomizer** (metal disk) will be facing the **tank**, air will be blown over the **tank** when the Cooling Unit is turned on.

WARNING **TIPPING HAZARD**



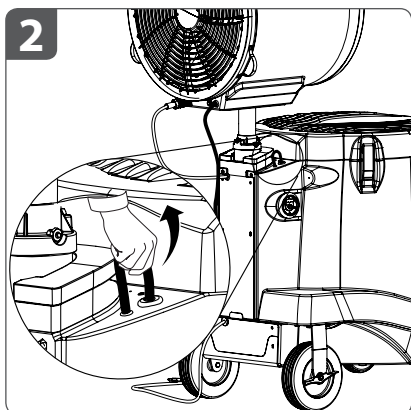
NEVER install or rotate fan head so that it faces the away from the tank. Doing so may allow the Cooling Unit to become unstable and create a tipping hazard.

2. Fan Head Connections:

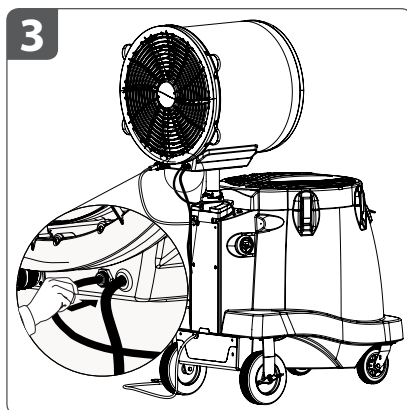


Insert **fan head power connector** into fan head. Ensure female end of power connector is aligned to male connector and *twist* together.

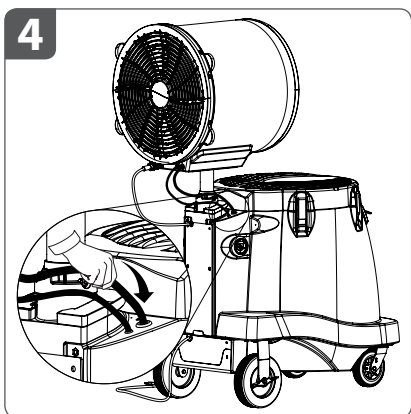
- Ensure alignment of connector threads prior to twisting together. **Do not** cross-thread connector.
- Hand tighten fully to prevent water damage.
- **Only turn the lead end** of the connector.
- **Do not turn or use tools** on the back portion of the connector.



Remove **water inlet hose** from the front hole in the **tank**.

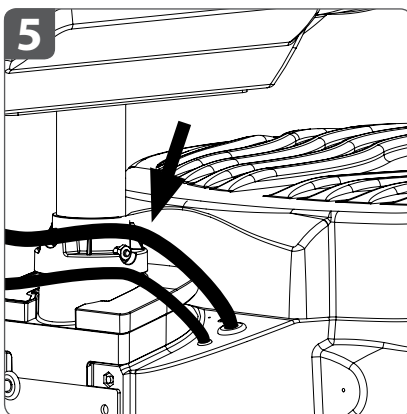


Insert **water inlet hose** into **bulkhead fitting**. Ensure that connection is sealed.



Insert **atomizer drain hose** into the front hole on top of the **tank**, from where the **water inlet hose** was originally removed.

Atomizer drain hose should not be submerged below water line.

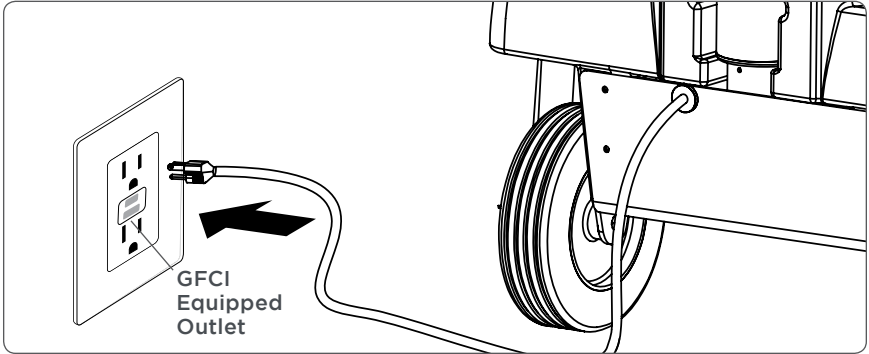




Once assembled, the **atomizer drain hose** should be flexible, but not so loose that water gets backed up in the hose.

3. Using the correct outlet:

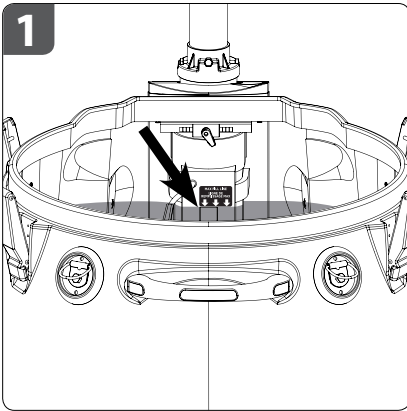
Electrical current of 110v or 220v is required.

For safety, only plug your Cooling Unit into an outlet equipped with GFCI.
DO NOT plug into standard outlet without a GFCI feature.

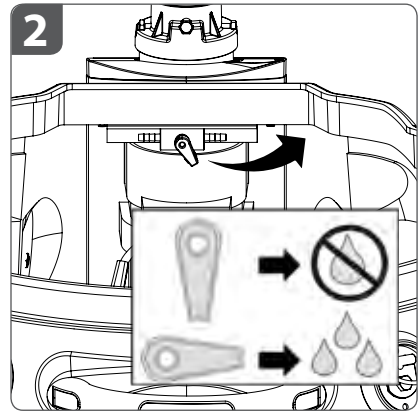


NOTE: A live power outlet can be verified when the Cooling Unit is **plugged in and powered off** by pressing the **oscillation**  or **water**  buttons. The LED lights will dimly illuminate when either of these buttons are depressed.

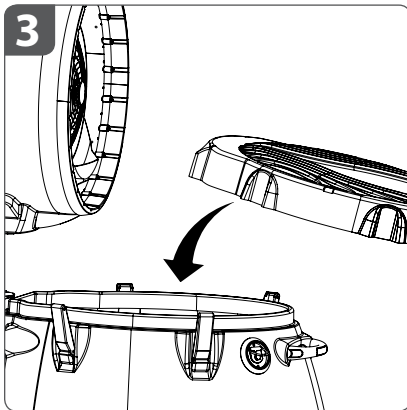
4. Adding water to the tank:



Do not fill the tank above the **max fill level**, as shown. If tank is filled past this level, water may leak out of the tank and cause a hazard around the Cooling Unit.



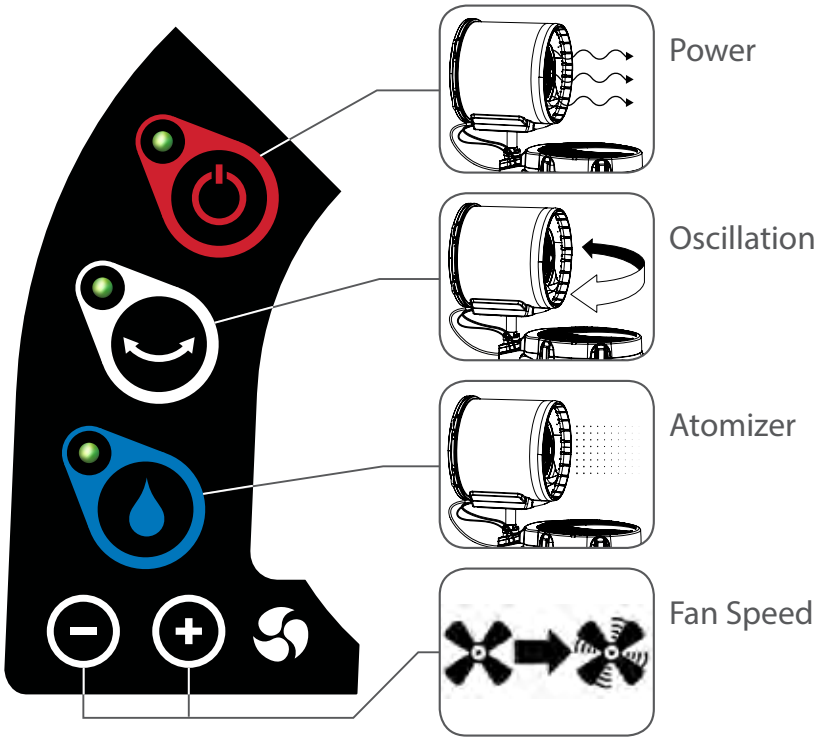
The **water valve** can be adjusted for optimal performance according to climate. To adjust, please follow the steps on the next page.









Once tank has been filled to the desired level, place **lid** on tank and close all **lid latches** (4).

III. OPERATION

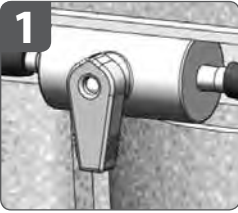
1. Control panel – Buttons:





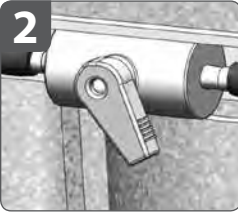
2. Turning on your Cooling Unit:

- 1a. Press the **power button**  and **hold for one second**.
The **LED light for the power button** will be lit and the fan blades will begin to slowly rotate to indicate the Cooling Unit is powered on.
- 1b. Press the **fan speed button**  to increase the fan speed.
Adjust the fan speed by pressing the  or  buttons.
- 1c. Press the **oscillation button**  once to activate the oscillation feature.
- 1d. Press the **atomizer button**  once to activate the misting feature.

3. Adjusting the misting level:



- 1a.** Press the **power button**  and **hold for one second** if Cooling Unit is not already on.
- 1b.** Set **fan speed** to desired level.
- 1c.** Locate the **water valve**.
The **water valve** is located inside the reservoir tank towards the rear of the tank.
- 1d.** Start with the **water valve** closed, at the 6 o'clock position as shown.
- 1e.** Start the atomizer by pressing the **atomizer button**  once.





- 2a.** Open the **water valve** slightly and check the distance of the mist. There will be a short delay before misting begins.
- 2b.** If there is a strong mist at 6 feet away, then the moisture setting is too high for conditions.
To reduce misting, rotate the **water valve** lever back towards the 6 o'clock position.

Optimal moisture settings can also be adjusted according to personal preference.

4. Control panel – Audible Feedback:

Your Cooling Unit is designed to give audible verification (beep(s) after a control panel button is depressed. The volume of the feedback can be adjusted as described in the next section **Volume Adjustment**.






The **fan speed buttons**   are used to adjust fan speed but also for various adjustments depending on the feature being modified.

The fan speed buttons have a common audible feedback:

- Button depressed once = 1 beep
- Button depressed and held = 1 beep for each interval of adjustment
- Limit of adjustment = Rapid beeping

5. Control panel – Volume Adjustment:





The Cooling Unit is equipped with a feature to adjust the control panel's audible feedback:


- To **raise/lower** the control panel's audible feedback:
 - Press and hold the **oscillation button**  **for one second then release.**
 - The **oscillation button's**  LED light will blink indicating you have initiated the volume adjustment feature.
 - To **lower**, repeatedly press (or hold down) the  **fan speed button** until the sounds are at a desired level.
 - **NOTE:** The volume adjustment feature's lowest level will turn off the sounds.
 - To **increase**, repeatedly press (or hold down) the  **fan speed button** until the sounds are at a desired level.
- To **exit** the control panel's audible feedback feature:
 - Press **oscillation button**  **once to exit** volume adjustment feature. Current settings are set and saved.

NOTE: If the Cooling Unit is powered off or unplugged, the control panel's volume adjustment is memorized.

6. Control panel – Dim/Brighten LED lights:

The Cooling Unit is equipped with a feature to dim/brighten the control panel's LED lights:






- To **dim/brighten** the control panel LED lights:
 - Press and hold the **atomizer button**  **for one second then release.**
 - The **atomizer button's**  LED light will blink indicating you have initiated the dim/brightening feature.
 - To **dim**, repeatedly press (or hold down) the  **fan speed button** until the LED lights are **dimmed** to the desired level.
 - **NOTE:** The dimming feature's lowest level will turn off the LED lights.
 - To **brighten**, repeatedly press (or hold down) the  **fan speed button** until the LED lights are **brightened** to the desired level.

- To **exit** the control panel LED light adjustment feature:
 - Press **atomizer button**  **once to exit** dim/brightening feature. Current settings are set and saved.

NOTE: If the Cooling Unit is powered off or unplugged, the control panel's brightness is memorized.

7. Control panel – Locking:

The Cooling Unit is equipped with a feature to lock the control panel:


- To **lock** the control panel:
 - Press and hold down **both fan speed buttons**   **for 5 seconds.**
 - ALL of the control panels LEDs will pulse (brighten/dim) indicating you have activated the locking feature
 - This will lock: oscillation, atomizer, and fan speed.
 - **Power button**  will still function.
- To **exit** the control panel locking feature:
 - Press and **hold down both fan speed buttons**   **for 5 seconds.**
 - ALL of the control panels LEDs will stop pulsing indicating you have exited the locking feature.

8. Control panel – Memory feature:

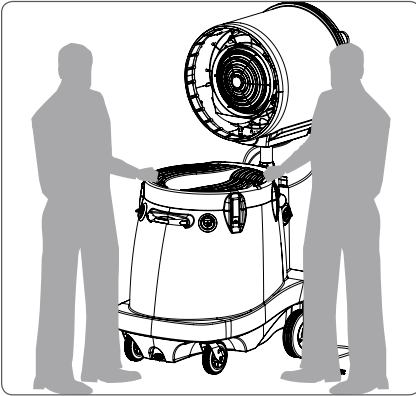
The Cooling Unit control panel is equipped with a memory feature. When it is powered off or unplugged it will remember the settings of its last use.

When powered back on or plugged back in, it will resume the same oscillation, atomizer, and fan speed settings of its last use.

NOTE: The Cooling Unit's memory feature is erased when the following three steps are done:

- Unit is powered off using the the **power button** .
- Unit is unplugged.
- Unit's **fan head power connector** is disconnected from the fan head.

IV. DISASSEMBLY

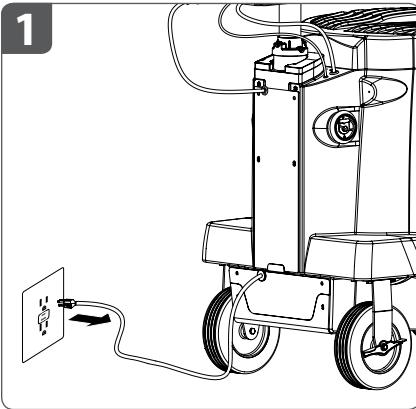



To disassemble your Cooling Unit, you will need:

- 2 people

Remember:

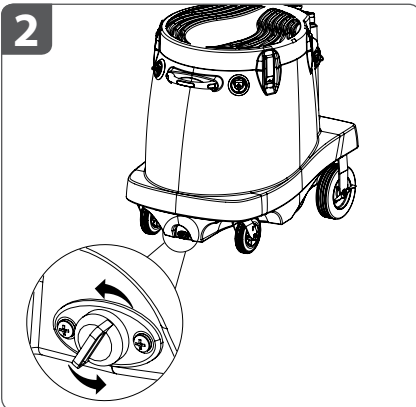
- Lift **fan head** only by the black outer shell from the top and bottom.
- **Never** lift from the fan guards or metal disk.
- **Depending on the model, the Fan Head weighs ~65–90 lbs.**



1a. Power off the Cooling Unit by holding down the **power button**  for one second.

1b. Unplug **power cord**.

1c. Be sure to lock each of the **rear wheels** by pressing down on the brakes to set them to the **LOCK** position.

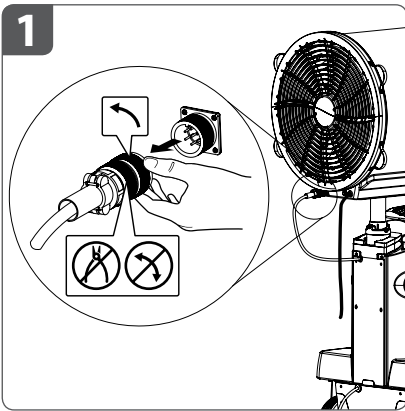


Drain tank:

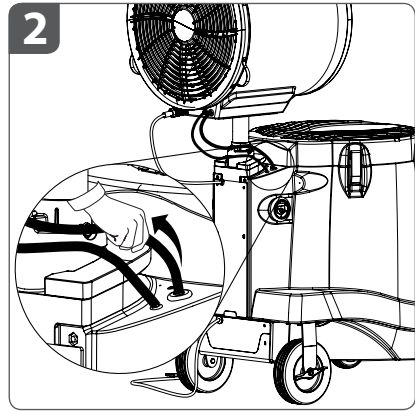
Depending on volume of water to be drained, you may want to move your Cooling Unit to a suitable location prior to draining.

Open the **drain plug** by turning counter clockwise and fully drain the tank.

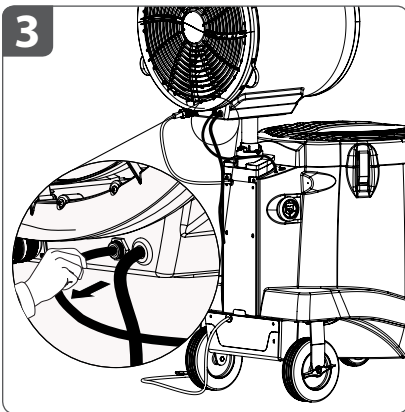
1. Disconnecting the hoses:



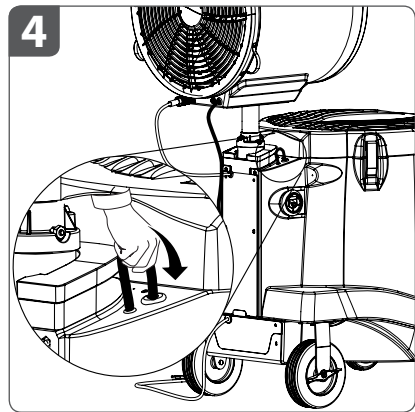
Disconnect the **fan head power connector** from the **bulkhead fitting**.



Take **atomizer drain hose** out of the front hole on top of the **tank**.

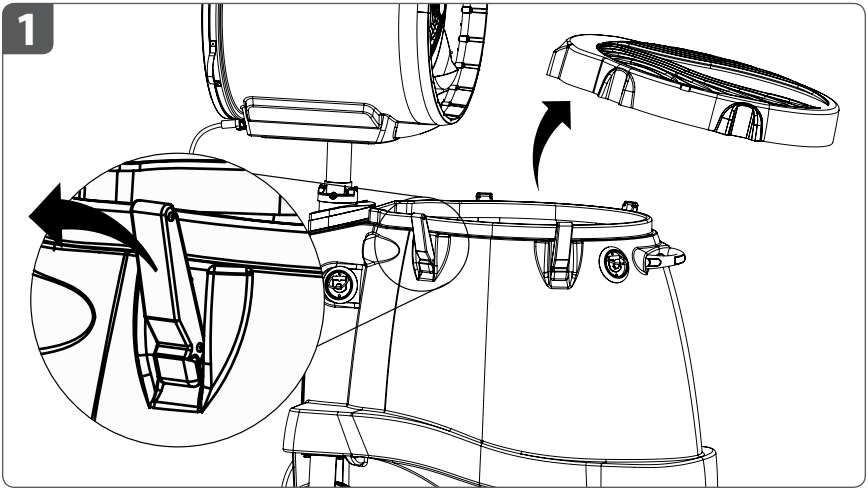


Depress **bulkhead fitting** with one hand while pulling **water inlet hose** with the other hand to remove.

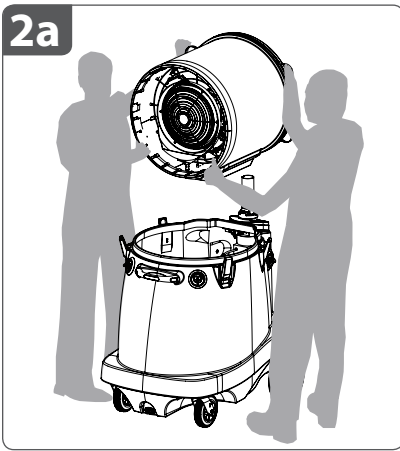


Store the **water inlet hose** in the front hole on top of **tank**, from where atomizer drain hose was removed.

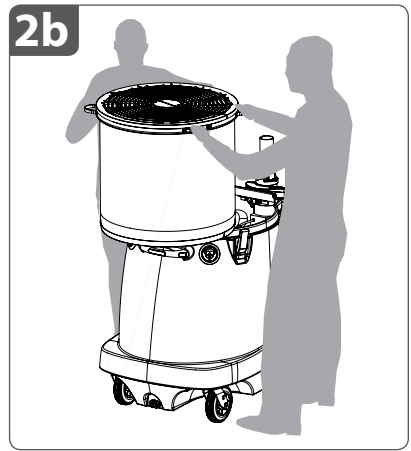
2. Dismounting fan head:



Unlock **lid latches** (4) and remove **lid**. Ensure both **rear wheels are locked**.

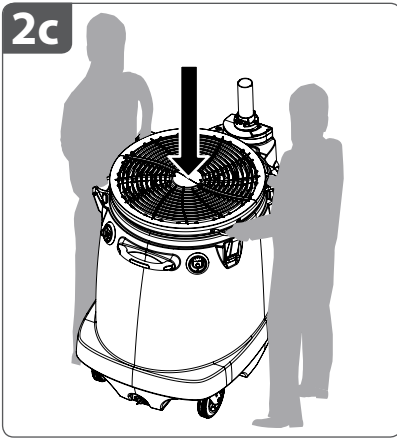


2a. Lift the **fan head** straight up and off the **head support pole**.



2b. Carefully rest **fan head** on the **edge of the tank** opposite of the **head support pole**, as shown.

Adjust your grip to hold the **fan head** by the **4 straps**.



2c. Carefully lower the **fan head** into the **tank**.



Place **lid** on **tank** and lock all **latches** (4).



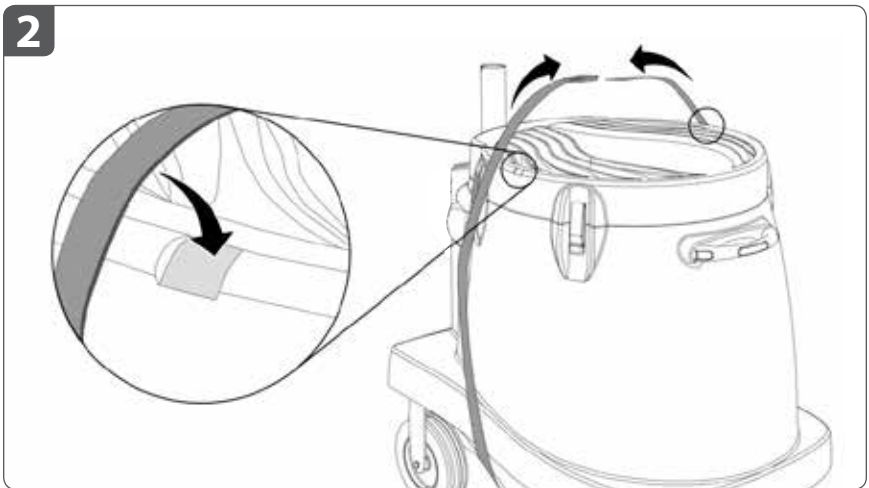
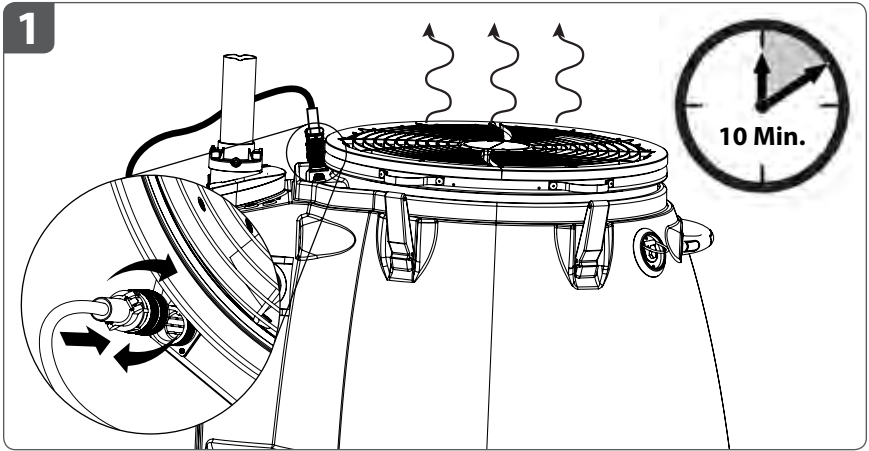
When moving Cooling Unit, be sure to use the **transport handle** and **not the head support pole**.

V. TRANSPORTING YOUR COOLING UNIT

We recommend using tie-downs when transporting your Cooling Unit to limit movement and prevent damage.

For long term storage, make sure that the tank is fully dry. If it is not dry, you may use the fan to dry the tank.

- With the fan head in the tank, reattach the power connector and turn on the fan on a medium speed. The tank will dry in about **10 minutes**.



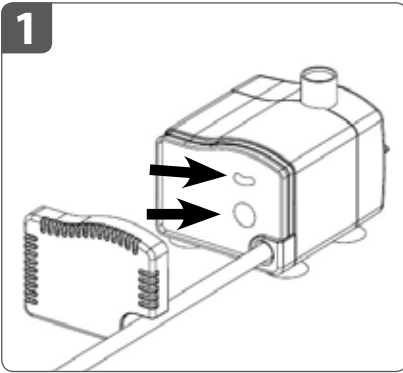
Secure the Cooling Unit by wrapping a band around it, following the grooves on the tank with the strap.

VI. MAINTAINING YOUR COOLING UNIT

For the best performance and longest life of your Cooling Unit, we recommend the following maintenance on your Cooling Unit every **30 days** and **prior to storing for extended periods of time**.

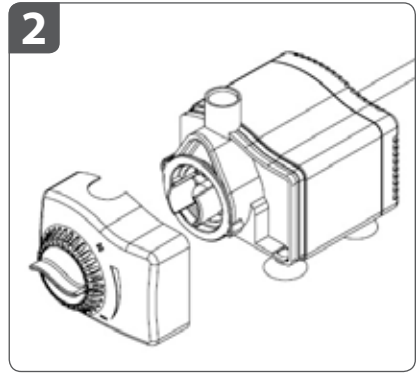
1. Cleaning the water pump:

It is important to clean the water pump. Dirty pumps will continue to run dry if they are not serviced even though they are equipped with auto shut off.

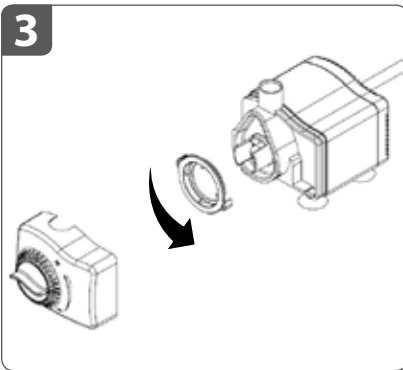


1a. Remove the rear cover by pulling the cover off.

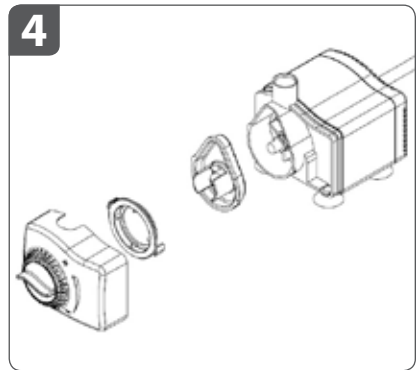
1b. Clean sensors with a brush and water, use a mild soap if necessary.



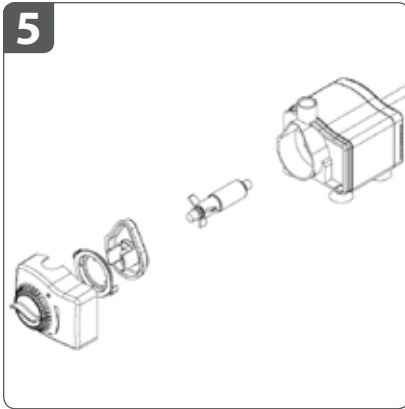
Pull the front cover to remove it.



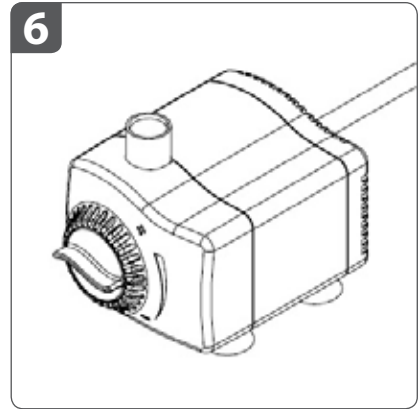
Remove locking ring by turning counter clockwise.



Pull impeller cover to remove it.



Remove impeller assembly and clean with soap and water.







Reassemble water pump.

2. Cleaning the water system:

For optimal performance of the water system, we recommend the following maintenance be performed monthly.

WARNING: Once the cleaning process is started, it must be run through all steps including rinse to avoid atomizing the cleaning solution and blowing it out of the Cooling Unit.

1. Following de calcification product manufacturer's safety guidelines, fill a bucket with a calcium and lime remover diluted with water following the de calcification product manufacturer's recommendation. Fill the bucket deeply enough to completely submerge the water pump.
2. Place the bucket in the tank, and place the water pump into the bucket/mixture. Position the drain tube so that it drains into the bucket as well.
3. Ensure the atomizer water valve is fully open, in line with the tubing.
4. **Power on**  the Cooling Unit.
5. Press the atomizer and oscillation buttons   at the same time and hold them for 5 seconds. This will immediately enter the cleaning mode and water should start circulating but the fan, atomizer and oscillation will remain OFF. The LED lights for the atomizer and oscillation will be ON, indicating cleaning mode.
6. Allow the cleaning mode to run for about 15 minutes.

7. **Power off**  the Cooling Unit.
8. Dispose of the diluted calcium and lime remover solution following de calcification product manufacturer's recommendation. Replace the cleaning mixture with clean water and repeat steps 2 through 6 above to flush the system with clean water.

WARNING: Failure to flush the system with clean water will result in some cleaning solution being atomized and blown out of the Cooling Unit while in use.

9. **IMPORTANT:** After completing the rinse and powering off the Cooling Unit, **UNPLUG the Cooling Unit and wait 10 seconds. This is the ONLY way to exit the cleaning mode.**

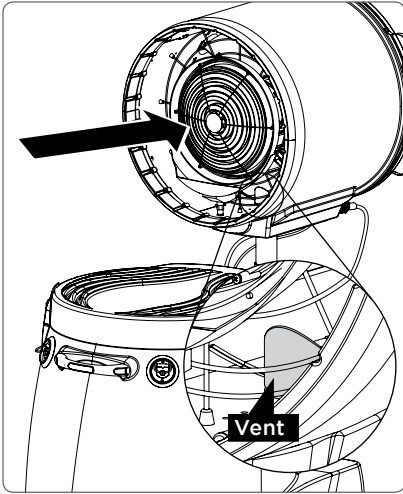
WARNING: If you encounter a Cooling Unit in cleaning mode, flush with clean water (return to step 7) prior using the system.

2. Maintaining the water tank:

- The Cooling Unit was designed with easy cleaning in mind.
- Once a week drain the tank and allow for the tank to dry out overnight.
- If the inside of the tank becomes slippery/slimy to the touch, drain the Cooling Unit. You can also clean the tank by putting a few drops of liquid soap in water and brushing the inside of the tank with it. Rinse the tank with a hose, then open the drain at the bottom and leave the lid off to allow to air dry.
- If mildew develops, you can flush the system out with a little bleach (run the Cooling Unit). Following the bleach treatment, flush the tank out with clean water and let air dry.



3. Maintaining the fan head and motor:



If you see a collection of dust or debris in the head of the Cooling Unit, clean the Cooling Unit with a hose.

Spray from the front of the fan head. Use a clean cloth to wipe it down.

Avoid spraying water directly into the vent.

4. Additional tips and hints:

Remember, while your Cooling Unit is robust and durable, it must still be handled with a certain level of care. Misuse or failure to properly care of the Cooling Unit will void the warranty.

- When transporting your Cooling Unit, make sure that the Cooling Unit is kept upright and tied down properly – remember it's on wheels!
- When transporting over long distances, disassemble the Cooling Unit and store the head in the tank to prevent damage.
- NEVER move your Cooling Unit by the fan head. Doing so will not only damage your Cooling Unit, but it is also much more difficult to move your Cooling Unit by the head than by the body.
- NEVER manually rotate the head, doing so will damage the rotational assembly. Always use the controls to rotate the head.
- To properly power off your Cooling Unit while it is rotating, first stop the oscillation, and then power off your Cooling Unit.
- Always drain the tank after each use.

VII. TROUBLESHOOTING

First ensure all set up steps have been followed. (See Page 6)

Atomizer not draining properly:

- Adjust drain hose to ensure curve of hose is sloping downward into the tank. Drain hose should not be angled too sharply and it should not be drooping too much as this could cause backage in the hose. Also, ensure the drain hose is not submerged below the water line in the tank.

Atomizing disk is spinning, but there is no water:

- First, verify that the water pump is clean and running. (See Page 20)
- If water is not running, check the connection by removing the **water inlet hose** from the **bulkhead fitting** in the fan head. Ensure that water is flowing at this end, if it is not flowing at this end then check for blockages within the tubing. (See Page 16, Image 3)
- If water is running, but there is no water pumping, the problem is mechanical. Check for the following:
 - Check that the water valve is open. (See Page 11, Image 2)
 - Check that the tubing is connected to the pump.
 - Verify that the pump is clean and running. (See Page 20)
 - If the above steps fail, the pump must be replaced – contact us.
1-844-233-5673 | customerservice@breezercooling.com

Cooling Unit shuts off:

- If your Cooling Unit shuts off unplug it. Wait 20 seconds, then plug it back in and restart your Cooling Unit.

Cooling Unit will not roll:

- Ensure rear wheel brakes are in the OFF position.

Cooling Unit is plugged in, and powered on, but the LED lights are off:

- The LED lights dimming feature may have been activated. The LED lights may have to be brightened. (See Page 14)

Factory Reset:

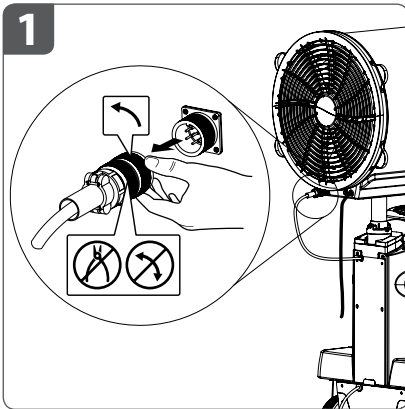
Your Cooling Unit can be reset to initial factory settings following the steps.

NOTE: these settings will be reset:

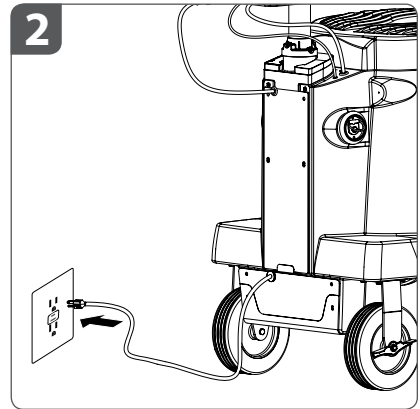
- Audible Feedback
- Volume Adjustment
- Dim/Brighten LED lights
- Locking
- Memory Feature

Additionally, the following will not resume functioning until activated using the control panel:

- Oscillation
- Atomizer-Water Pump
- Increase in fan speed



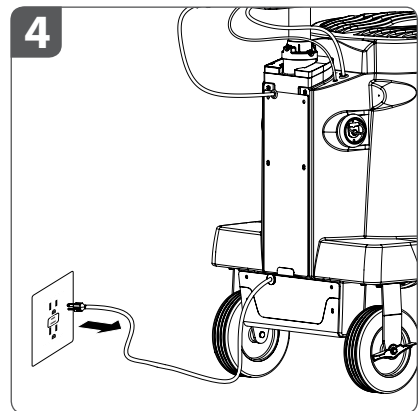
Disconnect the **fan head power connector** from the **bulkhead fitting** if not already disconnected.



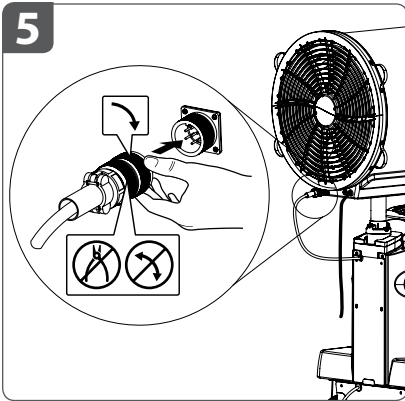
Plug in your Cooling Unit into an outlet equipped with GFCI.



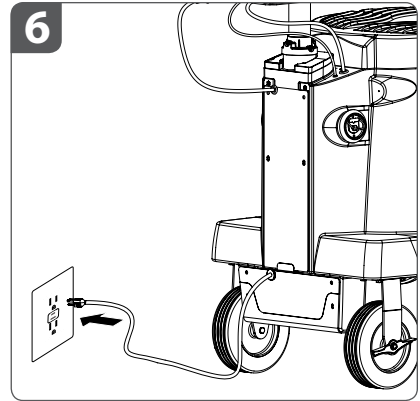
The **LED lights** on the **control panel** will flash in approximately 10 seconds after the Cooling Unit has been plugged in.




Unplug your Cooling Unit from the outlet.



Reconnect the **fan head power connector** to the **bulkhead fitting**.



Plug in your Cooling Unit into an outlet equipped with GFCI.

Press the **power button**  and **hold for one second**. The **LED light for the power button** will be lit and the fan blades will begin to slowly rotate to indicate the Cooling Unit is powered on.

VIII. WARRANTY

Cooling Unit Limited Warranty

For two (2) years from date of shipment to the first purchaser, Breezer Holdings, LLC. ("Manufacturer") warrants the fan, fan blades, fan motor, air straighteners and the polyethylene exterior of the Cooling Unit to be free from defects in materials or workmanship. Those components found, upon examination by factory-authorized personnel, to be defective in material or workmanship will be repaired or replaced with new or remanufactured parts at Manufacturer's or authorized dealer's option and without charge. All other Cooling Unit components have a one (1) year warranty from the shipment date against defects in materials or workmanship. Transportation charges on parts submitted for replacement or repair under this warranty shall be borne by the purchaser. Any and all repairs and replacements must be performed by Manufacturer or an authorized Cooling Unit dealer or representative. Warranty claims must be made as soon as reasonably possible after a defect is discovered, but before the end of the warranty coverage on the particular part. When a warranty repair or replacement is needed, the Cooling Unit must be brought to the Manufacturer's or authorized dealer's place of business during normal business hours. A reasonable time must be allowed for the performance of repairs or replacements.

THESE WARRANTIES ARE THE ONLY EXPRESS WARRANTIES BY MANUFACTURER ON THE COOLING UNIT. THESE WARRANTIES ARE LIMITED IN DURATION TO THE TIME PERIOD(S) OF THESE WRITTEN WARRANTIES. THESE WARRANTIES ARE IN LIEU OF ALL OTHER OBLIGATIONS, LIABILITIES OR WARRANTIES, WHETHER EXPRESS OR IMPLIED. THESE WARRANTIES DO NOT COVER:

- (1) NORMAL DETERIORATION OR FADING OF COLOR, COSMETIC OR APPEARANCE ITEMS;
- (2) DAMAGE OR MALFUNCTION DUE TO IMPROPER REPAIR DUE TO ANY UNAUTHORIZED ALTERATION OR MODIFICATION MADE TO THE COOLING UNIT;
- (3) USE OF CIVILIAN/INDUSTRIAL MODELS IN MILITARY APPLICATIONS OR ON MILITARY INSTALLATIONS;
- (4) DAMAGE OR MALFUNCTION DUE TO ABUSE, NEGLIGENCE, ACCIDENT OR FIRE;
- (5) DAMAGE CAUSED BY A NON-COVERED, UNAUTHORIZED PART; AND
- (6) FAILURE TO FOLLOW MANUFACTURER'S CLEANING AND MAINTENANCE GUIDELINES.

MANUFACTURER AND ITS AUTHORIZED DEALERS AND DISTRIBUTORS SHALL NOT BE LIABLE FOR ANY LOSS OF USE OF THE COOLING UNIT, FOR ANY ALTERNATE EQUIPMENT, FOR ANY DAMAGE TO GOODS, COMMERCIAL LOSS, LOSS OF TIME OR INCONVENIENCE, OR FOR ANY OTHER INCIDENTAL OR CONSEQUENTIAL DAMAGES.

For more information, please go to www.BreezerCooling.com.

IX. CONTACT INFORMATION

General Information or Product/Installation Support

Email: customerservice@breezercooling.com

Phone: 844-233-5673

Visit: MyBreezer.com

For Sales Information

sales@breezercooling.com

Phone: 844-233-5673

User Videos

www.youtube.com/powerbreezer

www.powerbreezer.com

Follow Us

www.facebook.com/PowerBreezer

www.twitter.com/PowerBreezer

X. AVAILABLE ACCESSORIES



Power Breezer Ducting Kit:

This compact kit contains the Ducting Reducer with 10 feet of 20 inch wide ducting.

Standard 20 inch wide ducting can be added to this kit to extend length.

PB-600-005-01



Head and Tank Covers:

Waterproof covers with storage bags. Protect your Power Breezer from the elements and keep your Cooling Unit free from dust while in storage.

Head and Tank Covers Sold independently or as a set.

Head Cover w/Storage Bag:

PB600-001-01

Tank Cover w/Storage Bag:

PB600-002-01

Head and Tank Cover Set w/Storage Bag:

PB600-003-01

Contact us for more information on ordering these and other parts and accessories.



BREEZER
MOBILE COOLING
BreezerCooling.com

550 SW 12th Avenue, Suite 550,
Deerfield Beach, Florida, 33442

©2018 Breezer Holdings, LLC.
All Rights Reserved.

Power Breezer® is licensed under
U.S. Patent No. 6,789,787.

