



INSTALLATION GUIDE

To achieve a safe and long lasting Ekodeck installation, it is important to read the following guide in full.

IMPORTANT INFORMATION

Always use proper protective clothing and safety equipment. Protection of the eyes, nose and mouth from dust particles is especially important when cutting and drilling in confined spaces. Using safety glasses, gloves, a dust mask and long sleeves is highly recommended.



WARNING!

It is the sole responsibility of the homeowner, contractor or installer to determine the specific requirements, effectiveness, suitability and safety in regards to any application or use of Ekodeck products.

Ekodeck is not designed to be a freestanding product. It must be installed safely and correctly fixed down to a substructure.

The substructure must comply with all the relevant regulations and aspects of the Building Code of Australia. The substructure must be anchored to the ground on all sides including the house.

Ekodeck boards are heavier and more flexible than traditional timber and should always be carried on their side edges for better support. Always exercise precaution and care when lifting Ekodeck boards. Do not attempt to lift or carry more Ekodeck boards than can be safely handled at any given time.

EKODECK SHOULD NOT:

- Be used as a structural or load bearing member.
- Be applied directly to a solid surface such as concrete.
- Have a cantilever (overhang edge of an Ekodeck board) greater than 20mm.

Proper ventilation and air circulation underneath and between boards is necessary to facilitate the evaporation of water and moisture. It will also allow Ekodeck to expand and contract naturally. The recommended ground clearance is 300mm. The maximum joist spacing is 450mm.

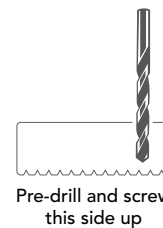
The weathering process for Ekodeck products will vary according to exposure to different climates, sunlight and moisture. Ekodeck boards will usually achieve their fully weathered colour within 3-6 months. Slight colour variation of Ekodeck boards will occur and are considered normal and not a defect or fault. Our aim is to replicate the variations found in natural timber to give your deck the most natural look possible.

INSTALLATION & FASTENING

Pre-drilling and countersinking all holes is recommended when installing Ekodeck boards. This is to avoid mushrooming (i.e. when the material rises up above the screw and the surface of the deck).

When drilling holes, frequently remove shavings by raising the drill bit out of the hole to avoid clogging. Pre-drilled holes must be at least 15mm away from the end edge and 20mm from side edges of the boards.

Ekodeck should be fixed with 2 fasteners at every joist and any single piece of Ekodeck must be installed over at least 3 spans (i.e. 4 joists) to keep within the structural load bearing limits of its design.



CUTTING

For best results, use carbide tipped blades. When using a drop saw we recommend a 10" (254mm) blade with 60 teeth or 7¼" (184mm) blade with 60 teeth for cutting.

As Ekodeck contains recycled plastic, cutting may cause electrostatic build up causing the shavings to cling to your saw blade. Your saw may need to be wiped down at the completion of the job. Where possible cut Ekodeck using a dust extractor (if your saw has this attachment); this will reduce this effect and make for an easier clean up.

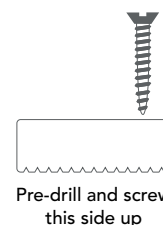
FIXING TO TIMBER JOISTS

Screwing using stainless steel 10g x 50mm/60mm screws is the recommended method of fixing Ekodeck.

Pre-drill pilot holes that are at least the size of the screw shank. In warmer climates you may need to pre-drill holes slightly larger than the diameter of the screw to allow for increased movement caused by expansion and contraction.

When pre-drilling, minimise the amount of joist penetration. This will make the screw bite more into the timber and better secure the fastener.

Nailing is not recommended.



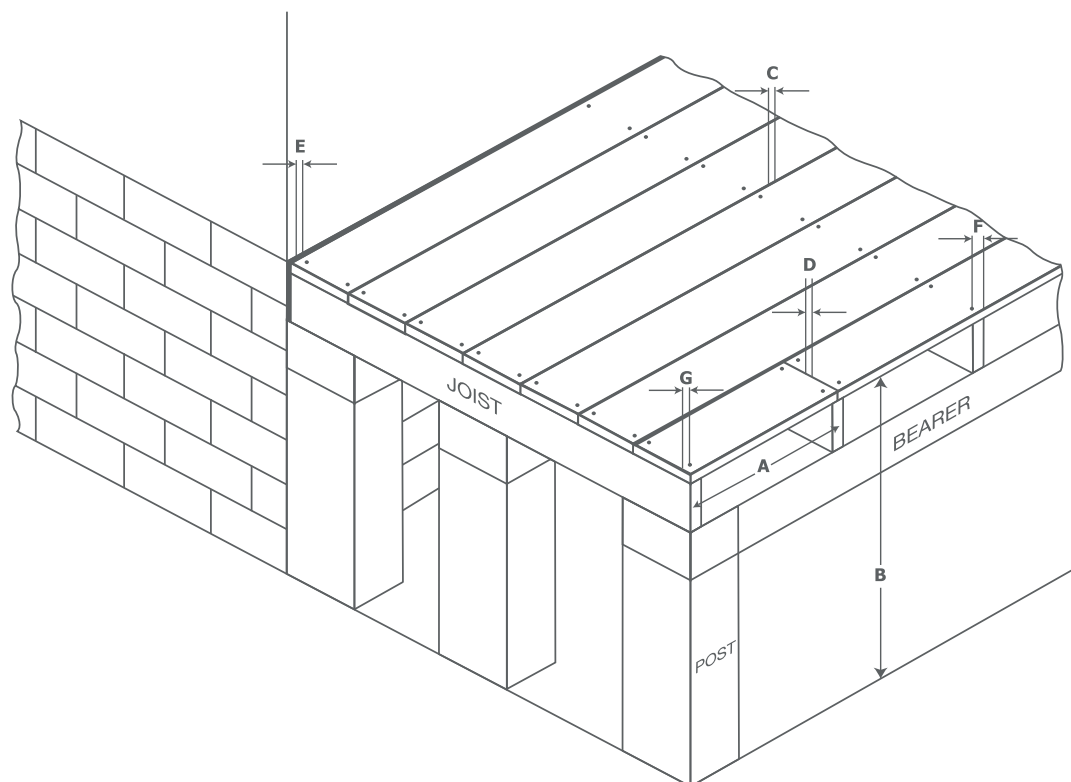
FIXING TO STEEL JOISTS

When fixing Ekodeck to steel joists we recommend that you pre-drill and countersink before screwing the deck down. This is similar to the way that you would fix a hardwood deck to steel joists.

The size of the pilot hole should be slightly larger than the diameter of the screw. We recommend the use of a high quality galvanised steel screw when going into steel.

GAPS & SPANS

Ekodeck profile	Specification (mm)	
	88 x 23 x 5400	137 x 23 x 5400
A. Residential centre-to-centre joist spacing (max)	450	450
B. Minimum ground clearance	300	300
C. Minimum side-to-side gap	6	6
D. Minimum end-to-end gap (butt join)	4	4
E. Minimum gap from side and end edge of board to solid structures	6	6
F. Minimum distance from side edge for fastening boards	20	20
G. Minimum distance from end edge for fastening boards	15	15
Stainless Steel Screws (pre-drill and countersink)	Recommended	Recommended



EXPANSION & CONTRACTION

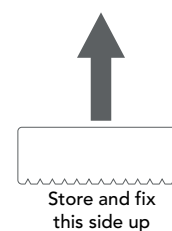
Ekodeck will expand and contract with changes in temperature. The ideal temperature for installing Ekodeck is 24°C. The minimum butt joint gap of 4mm is required based on a temperature installation of 24°C.

The amount of movement that you will experience depends on several factors including seasonal climate, amount of direct sunlight the deck is exposed to and the extent to which the local area is subjected to changes in temperature during the day compared to night.

Generally, in warmer months, or installing in the heat of the day, you may need to close this gap to allow the boards to contract. The converse is true on cold days – you may need to add more of a gap to allow for expansion.

As a general guide when calculating the butt joint gap, add 2mm for every 10°C difference between the highest temperature the decking will be exposed to, and the temperature at installation. For example, if the highest expected temperature is 45°C, but the temperature at installation is 5°C, the difference is 40°C and therefore a butt joint gap of 8mm is required.

Allowing the boards a few days to acclimatise to the site conditions is recommended.



BUTT JOINS

Butt joints must be staggered and additional joist support (i.e. blocking) is recommended to provide a greater fastening area and to avoid splitting the joist.

VENTILATION

When designing your deck, consideration must be given to ventilation. We recommend a ground clearance of 300mm and a 6mm gap between boards to facilitate optimum airflow. Avoid the tendency to box or seal the deck in completely. The deck must have adequate airflow to allow it to breathe.

HIDDEN SCREW FIXING SYSTEM

If you would prefer to use a hidden screw system, where the screws are neatly hidden from view, then we recommend the Camo Hidden Fastening System available through Bunnings.

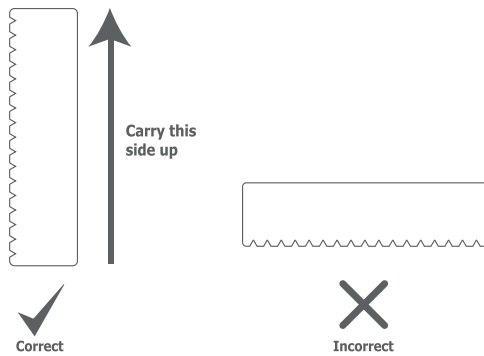
When using the Camo system you must ensure to pre-drill the ends of the Ekodeck boards.

STORAGE & HANDLING

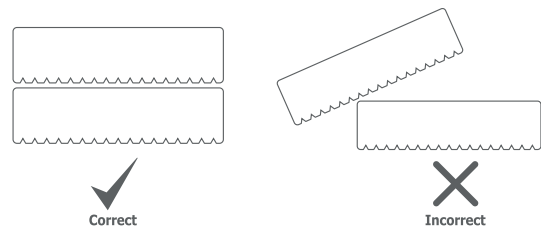
Ekodeck boards must be:

- Supported at least every 600mm on a level plane.
- Laid flat especially during transportation and never at an angle.
- Never be dropped or 'dumped' when unloading.
- Stored on a flat, dry surface and at least 100mm off the ground.
- Covered until it is time to use them for installation.

Handling



Storage



IMPORTANT INFORMATION: CLEANING AFTER INSTALLATION

Immediately after installation you must thoroughly wash and scrub your Ekodeck. This step is necessary to remove excess sanding dust leftover from our finishing process.

Wash down procedure:

1. Thoroughly wet the deck.
2. Sprinkle bi-carb soda over a section of the deck.
3. Scrub that section in the direction of the grain with a stiff bristle broom to create a white slurry.
4. Continue to work in sections until the whole deck is thoroughly scrubbed.
5. Give the deck a good rinse down, ensuring all water runs off the deck. Where possible, try not to let the water pool and mop any particularly wet areas with a clean mop, or alternatively, use a squeegee to push the water off the end of the deck.
6. This procedure is for a general clean only. For more stubborn stains refer to our Care and Maintenance Guide.

High-pressure washers are not recommended on Ekodeck. Instead use a garden hose with a medium nozzle.

LIMITED WARRANTY

Ekodeck engineered bamboo composite decking products come with a 10 year limited warranty against manufacturing faults and defects*.

For a copy of the limited warranty visit www.ekologix.com.au

*Returns or claims due to any condition that was clearly apparent prior to fastening Ekodeck will not be considered after Ekodeck has been applied/fastened to deck structure.

ekologix[®]

www.ekologix.com.au

Ekologix Australia Pty Ltd.
Unit 1, 20-26 Sabre Drive
Port Melbourne, VIC 3207
Phone: **+61 3 9639 7774**
Email: **info@ekologix.com.au**