

METAL CABINET

260H x 900W x 230Dmm

ITEM NO: GOSO30



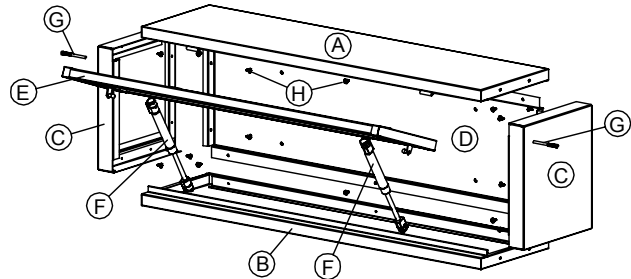
POWDER COATED

Very Important: Unpack the unit and confirm that you have all the parts listed. Assemble the unit on a solid, level surface. Avoid carpet. You will need the assistance of a second person during assembly. **You will need the following:** Phillips-head screwdriver, a drill and a rubber mallet.

SAFETY TIP:

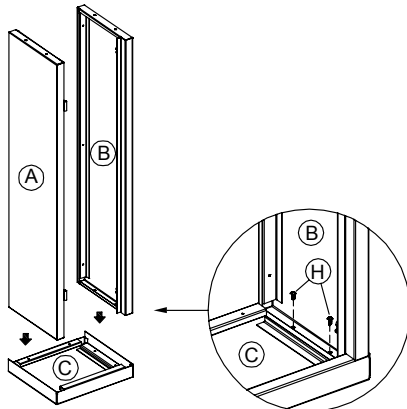
When assembling or installing this product wear protective gloves and eyewear.

NO	PART NAME	PCS
(A)	Top panel	1PC
(B)	Bottom panel	1PC
(C)	Side panel	2PCS
(D)	Back panel	1PC
(E)	Door	1PC
(F)	Gas struts	2PCS
(G)	Hinge pins	2PCS
(H)	8g x 10mm self tapping screws	18PCS



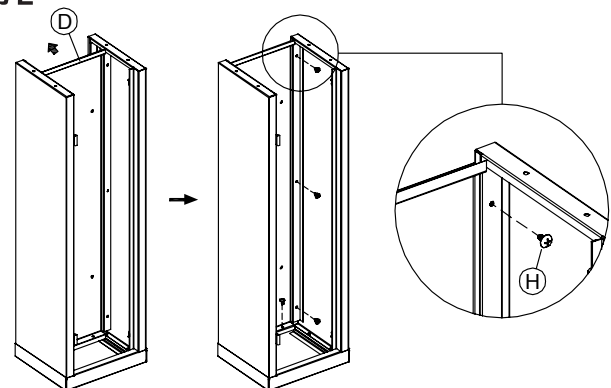
(I)	Plugs	4PCS
(J)	12g x 32mm self tapping screws	4PCS
(K)	Washers	4PCS

Step 1



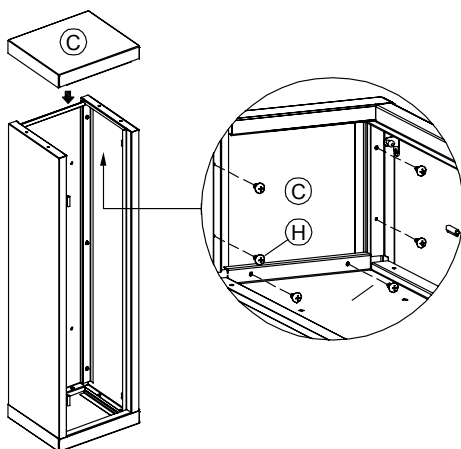
Slide bottom panel (B) into one of the side panels (C) making sure the tabs insert neatly into slots on the bottom panel as per diagram above. Then fix the bottom panel in place using two self tapping screws (H) as per the diagram. Now repeat the same process for the top panel (A).

Step 2



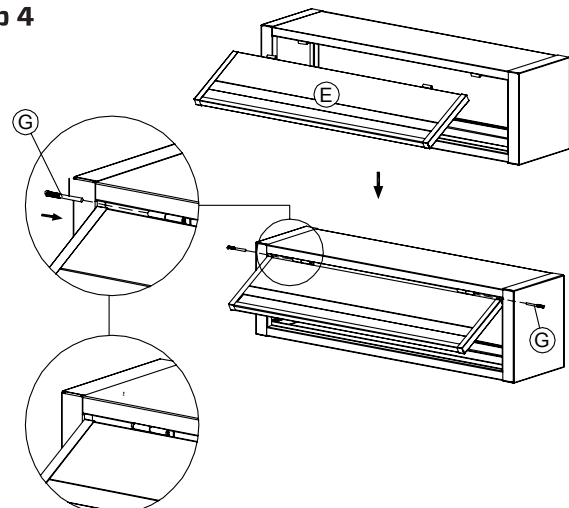
Slide the back panel (D) into side panel (C) ensuring tabs on back panel insert into the slots on the side panel. Then attach back panel (D) to top, bottom and side panels (A, B and C) using self tapping screws (H) as per the diagram above.

Step 3



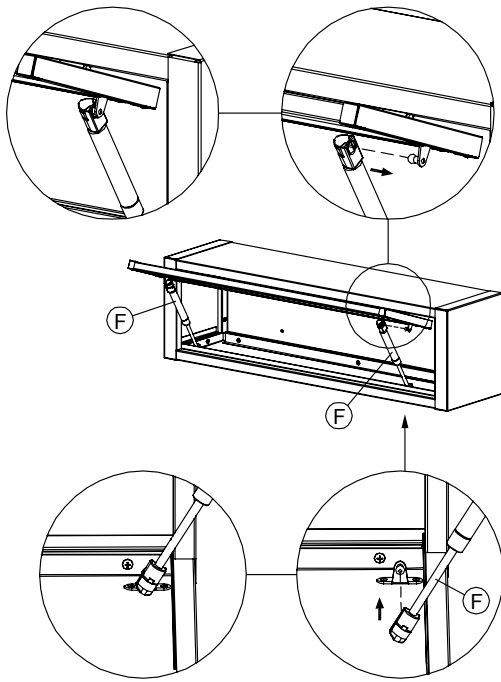
Place remaining side panel (C) onto back (D), top (A) and bottom (B) panels and gently push tabs on the panels neatly into slots on side panel. Once tabs have been inserted, fix all panels together using self tapping screws (H) as per diagram above.

Step 4



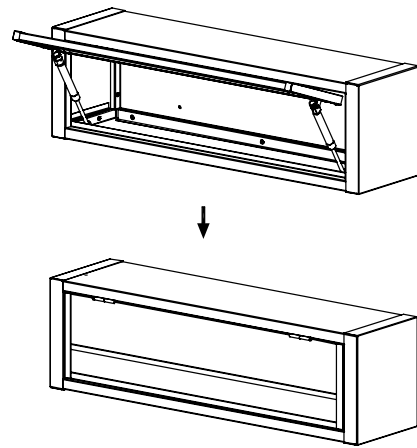
Install door (E) by aligning door hinge slots with those on top panel (A) and insert hinge pins (G).

Step 5



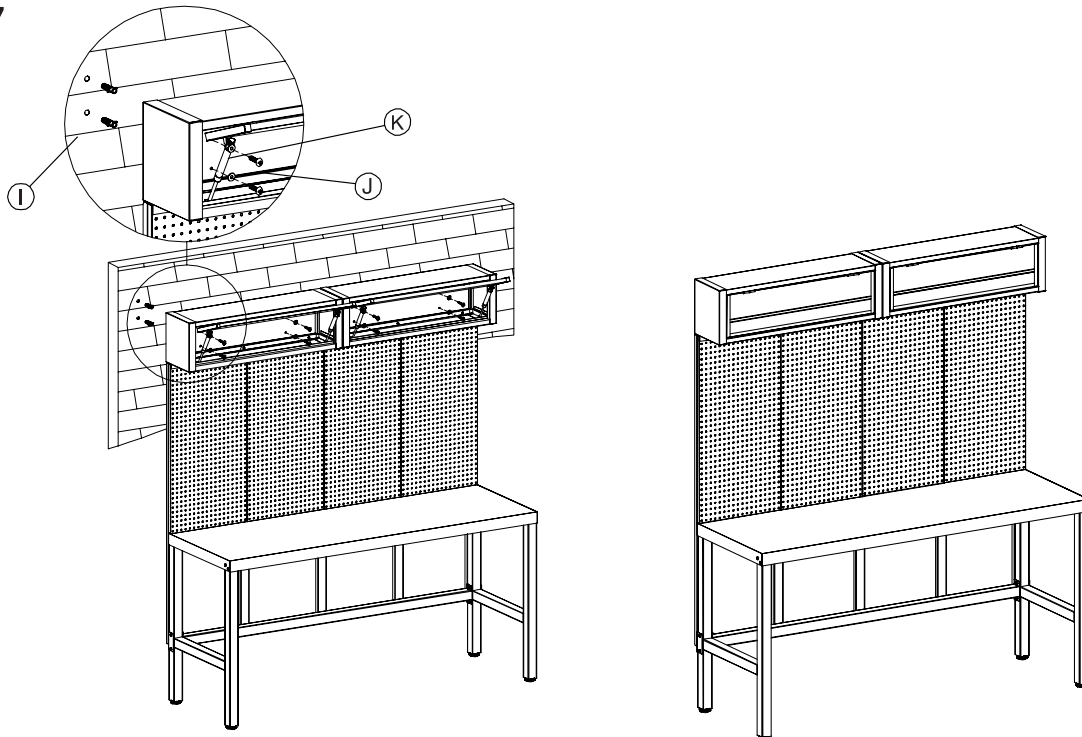
Attach gas struts (F) to brackets on door (E) and bottom panel (B).

Step 6



Ensure gas struts (F) are in correct position and slide smoothly when opening and closing door.

Step 7



This cabinet can be easily mounted onto a wall. First drill four holes which align exactly with the holes in the back panel for mounting the cabinet. Then insert plugs (I) into the holes and use the long self tapping screws (J) and washers (K) to attach the cabinet to the wall.

WARRANTY CONDITIONS

Any claim under this warranty must be made within 1 year of the date of purchase of the product. To make a claim under this warranty, take the product (with proof of purchase) to any Bunnings store (see www.bunnings.com.au for store locations). Pinnacle Hardware bears reasonable, direct expenses of claiming under the warranty. You may submit details and proof of purchase to our support centre for consideration. The warranty covers manufacturer defects in materials, workmanship and finish under normal use. This warranty is provided in addition to other rights and remedies you may have under law: Our goods come with guarantees that cannot be excluded under the Australian consumer law. You are entitled to a replacement or refund for a major failure and compensation for any other reasonably foreseeable loss or damage. You are also entitled to have the goods repaired or replaced if the goods fail to be of acceptable quality and the failure does not amount to a major failure. This warranty excludes damage resulting from product misuse or product neglect. The warranty covers domestic use only and does not apply to commercial applications. This warranty is given by Pinnacle Hardware, ABN 87 614 496 196, 28 Hudson Court, Keysborough Vic 3173, 1800 349 776, Email: support@pinnacle.net.au. New Zealand customers please contact HARCO (Harkness & Young Ltd), 09 27 64071, Email: sales@harknessyoung.co.nz. 'Pinnacle' is a trademark. © Pinnacle Hardware. Suitable for model number GOS030.