

RYOBI[®]

ORIGINAL INSTRUCTIONS

Cordless Pressure Washer

RPW36X50
RPW3600



Important!

It is essential that you read the instructions in this manual before assembling, operating, and maintaining the product.

Subject to technical modification.

Safety, performance, and dependability have been given top priority in the design of your cordless pressure washer.

INTENDED USE

The cordless pressure washer is only intended for use outdoors. For safety reasons the product must be adequately controlled by using two-handed operation.

The product is designed for home or domestic use. It is intended to clean machines, vehicles, buildings, floors, tools, facades, terraces, floors, and concrete walkways by removal of stubborn dirt using clean water with or without chemical detergents.

It should be used in dry, well illuminated conditions.

- **WARNING** This machine has been designed for use with the cleaning agent supplied or recommended by the manufacture. The use of other cleaning agents or chemicals may adversely affect the safety of the machine.

WARNING

The product is designed for use with the cleaning agent supplied or recommended by the Ryobi. The use of other cleaning agents or chemicals may adversely affect the safety of the pressure washer.

GENERAL SAFETY WARNINGS

WARNING

Read all safety warnings and all instructions. Failure to follow all instructions listed below may result in electric shock and/or fire which will cause death or serious personal injury.

- The product is not intended for use by persons with reduced physical, sensory, or mental capabilities, or lack of experience and knowledge
- Wear a complete personal protective equipment when operating the product, such as safety boots, safety gloves, safety helmets with visor, and hearing protection. Use high-impact visors only with liquid splash protection.

WARNING

Do not use the product when people are within range unless they wear protective clothing.

- To reduce the risk of injury, keep children and visitors away. All visitors should wear safety glasses and be kept at a safe distance from the work area.
- Inspect the safety devices, such as safety valves, flow switches, and pressure switches to check if they are in good working condition. Make sure all safety devices are operating properly before each use.
- To reduce the risk of kickback, hold the spray wand securely with both hands when the product is on.

WARNING

During use of pressure washers, aerosols may be formed. Inhalation of aerosols can be hazardous to health.

WARNING

Depending on the application, shielded nozzles can be used for high pressure cleaning, which will reduce the emission of hydrous aerosols. However, not all applications allow the use of such a device. If shielded nozzles are not applicable for the protection against aerosols, a respiratory mask of class FFP 2 or equivalent may be needed, depending on the cleaning environment.

- Always switch off the product when leave it unattended.
- The product is designed for use with cleaning agent supplied or recommended by the manufacturer. The use of other cleaning agents or chemicals may adversely affect the safety of the product.
- High pressure jet is dangerous if misused. Do not direct the jets at persons, live electrical equipment, or the product itself.
- Do not spray flammable liquids.
- Do not use the product to clean clothes or footwear.
- Be extra careful when opening the trigger gun. Hold the trigger gun firmly with two hands to avoid injury when the trigger gun kicks back.
- High pressure hoses, fittings, and couplings are important for the safety of the product. Use only hoses, fittings, and couplings recommended by the manufacturer.

CAUTION

The product must not be used on the drinking water supply without a backflow preventer being installed. Water flowing through a backflow preventer is considered non-drinkable. Always observe the regulations of your local water utility company when connecting the product to a water supply line.

- Recharge the battery only with the charger specified by the manufacturer. A charger that is suitable for one type of battery pack may create a risk of fire when used with another battery pack.
- When battery pack is not in use, keep it away from other metal objects, like paper clips, coins, keys, nails, screws or other small metal objects, that can make a connection from one terminal to another. Shorting the battery terminals together may cause burns or a fire.
- Keep the battery and the charger away from wet and damp conditions.
- Use product only with battery packs specified in this manual. Use of any other battery packs may create a risk of injury and fire.
- Under abusive conditions, liquid may be ejected from the battery; avoid contact. If contact accidentally

occurs, flush with water. If liquid contacts eyes, seek medical help. Liquid ejected from the battery may cause irritation or burns.

ADDITIONAL SAFETY WARNINGS

- Some regions have regulations that restrict the use of the product in some operations. Check with your local authority for advice.
- Never direct a water stream toward people or pets, or any electrical device.
- Before starting any cleaning operation, close doors and windows. Clear the area to be cleaned of debris. Toys, outdoor furniture, or other objects that could create a hazard.
- Never pick up or carry the product while the motor is running.
- Do not use the product in temperatures below 0°C.
- Do not use acids, alkalines, solvents, flammable material, bleaches, or industrial grade solutions in this product. These products can cause physical injuries to the operator and irreversible damage to the product.
- Always operate the product on a level surface.

WARNING

High pressure jets can be dangerous if subject to misuse. The jet must not be directed at persons, animals, electrical devices, or the product itself.

- Hold the trigger gun securely with both hands. Expect the trigger handle to move when the trigger is pulled due to reaction forces. Failure to do so could cause loss of control and injury to yourself and others.
- Exercise caution to avoid slipping or falling.
- Keep firm footing and balance. Do not overreach. Overreaching can result in loss of balance.
- Use only recommended accessories. The use of improper accessories may cause risk of injury.
- Never leave the product running unattended. Turn the power off. Do not leave the product until it comes to a complete stop.
- Be familiar with the controls. Know how to stop the product and bleed the pressure quickly.
- Stay alert and exercise control. Watch what you are doing and use common sense.
- Do not use a product when you are tired or under the influence of drugs, alcohol, or medication. A moment of inattention while operating the product may result in serious personal injury.
- Do not use the product if the switch does not turn it on and off. Any product that cannot be controlled with a switch is dangerous and must be repaired.
- Keep a minimum distance of 30 cm when cleaning vehicles. The high high-pressure jet may damage or burst vehicle tires and/or tire valves.

USE OF POTABLE WATER SUPPLY

- The product can use potable water. Use Ryobi suction hose kit and water bags for the connection.
- When connecting the product to the water supply, follow the regulations from the local water supplier.

CAUTION

If you connect the product to a potable water supply, you must install a backflow prevention device to the water supply system. The installation should be installed by professional service personnel and should be accepted by the local water supplier.

- Make sure the water in the hose and pump is released before you turn on the power switch.

WARNING

If there is no water coming out from the nozzle, stop the product immediately using the power switch. Working without water may cause serious damage to the pump.

BOOST MODE

- Boost mode provides extra power. This function is limited to 8 min of continuous operation. Press the boost button to switch from normal operation mode to boost mode.
- Do not use the boost mode for more than 8 min. The boost mode automatically returns to normal mode after 8 min.
- After 8 min of boost mode usage, the pressure washer will not return to boost mode until 8 min of normal mode use or rest. The LED in the boost button flashes when the boost mode is not available for activation.

TOTAL STOP SYSTEM

- The pressure washer is equipped with a total stop switch. When you release the trigger of the gun, the motor stops to save power.
- The LED in the power switch flashes when the total stop system is active.
- The fan runs continuously to cool the product when the total stop system is activate.

CAUTION

Bring the product to an authorized service centre when the motor does not stop after you release the trigger of the gun.

TRANSPORTATION AND STORAGE

⚠ CAUTION

Mind the weight of the product when selecting the storage location and during transportation to prevent accidents or injuries.

- Stop the product, remove the battery, and disconnect the product from the water supply before storing or transporting. Never place the product in any position other than upright.
- Clean all foreign material from the product. Store it in a cool, dry, and well-ventilated place that is inaccessible to children. Keep away from corrosive agents such as garden chemicals and de-icing salts. Do not store outdoors.
- For transportation in a vehicle, secure the product against movement or falling to prevent injury to persons or damage to the product.

TRANSPORTING LITHIUM BATTERIES

Transport the battery in accordance with local and national provisions and regulations.

Follow all special requirements on packaging and labelling when transporting batteries by a third party. Ensure that no batteries can come in contact with other batteries or conductive materials while in transport by protecting exposed connectors with insulating, non-conductive caps or tape. Do not transport batteries that are cracked or leaking. Check with the forwarding company for further advice.

MAINTENANCE

⚠ WARNING

Use only original manufacturer's replacement parts, accessories, and attachments. Failure to do so can cause possible injury and poor performance, and may void your warranty.

⚠ WARNING

Servicing requires extreme care and knowledge and should be performed only by a qualified service technician. For service, bring the product to an authorised service centre. When servicing, use only identical replacement parts.

- Stop the product, remove the battery, and allow the product to cool. Disconnect the product from the water supply before:
 - cleaning the product
 - maintaining the product
 - replacing spare parts
- You may make adjustments and repairs described in the manual. For other repairs, contact the authorised service centre.

- Regularly inspect and maintain the pressure washer for safe operation. Ryobi recommends inspecting the product every 6 months.
- Check all nuts, bolts, and screws at frequent intervals for proper tightness to ensure the product is in safe working condition. Any part that is damaged should be properly repaired or replaced by an authorised service centre.

RESIDUAL RISKS

Even when the product is used as prescribed, it is still impossible to completely eliminate certain residual risk factors. The following hazards may arise in use and the operator should pay special attention to avoid the following:

- Injury caused by the high pressure jet. Avoid pointing the high pressure jet to people, animals, and to yourself.
- Injury caused by kickback. Always hold the trigger gun or the trigger wand firmly with your two hands.
- Injury caused by exposure to noise. Wear ear protection.

RISKS REDUCTION

It has been reported that vibrations from handheld tools may contribute to a condition called Raynaud's Syndrome. Symptoms may include tingling, numbness, and blanching of the fingers, usually apparent upon exposure to cold. Hereditary factors, exposure to cold and dampness, diet, smoking and work practices are all thought to contribute to the development of these symptoms. There are measures that can be taken by the operator to possibly reduce the effects of vibration:

- Keep your body warm in cold weather. When operating the product, wear gloves to keep the hands and wrists warm. It is reported that cold weather is a major factor contributing to Raynaud's Syndrome.
- After each period of operation, exercise to increase blood circulation.
- Take frequent work breaks. Limit the amount of exposure per day.

If you experience any of the symptoms of this condition, immediately discontinue use and see your doctor.

⚠ WARNING

Injuries may be caused, or aggravated, by prolonged use of a tool. When using any tool for prolonged periods, ensure you take regular breaks.

KNOW YOUR PRODUCT

See page 7.

1. Handle
2. Gun
3. Trigger gun lock
4. On/Off trigger
5. Hose strap
6. Water inlet
7. Wheel
8. Bladder
9. Siphon hose

10. Water inlet adapter
11. High pressure hose
12. Charger
13. Battery
14. Soap nozzle
15. Spray nozzle
16. Turbo nozzle
17. Soap tank
18. Water outlet
19. Soap tank cap
20. Battery cover
21. Boost button
22. Power switch
23. Wand

SYMBOLS ON THE PRODUCT



Warning



To reduce the risk of injury from kickback, hold the spray wand securely with both hands when the product is on.



To reduce the risk of injury, read and understand the operator's manual before using the product.



Wear eye and hearing protection.



To reduce the risk of injury from high pressure injection, do not direct spray at persons or animals.



Remove the battery before starting any maintenance work on the product.



Wear non-slip, heavy-duty protective gloves when handling.



Appliance not suitable for connection to the drinking water mains without backflow preventer.



Never point the gun to human, animals, the machine body, power supply or any electric appliances



Burst Hazard.



Regulatory Compliance Mark (RCM). Product meets applicable regulatory requirements.



Waste electrical products should not be disposed of with household waste. Please recycle where facilities exist. Check with your local authority or retailer for recycling advice.



Guaranteed sound pressure level is 66 dB. Guaranteed sound power level is 79 dB.

SYMBOLS IN THIS MANUAL



Parts or accessories sold separately



Note



Warning

The following signal words and meanings are intended to explain the levels of risk associated with this product.

⚠ DANGER

Indicates an imminently hazardous situation, which, if not avoided, will result in death or serious injury.

⚠ WARNING

Indicates a potentially hazardous situation, which, if not avoided, could result in death or serious injury.

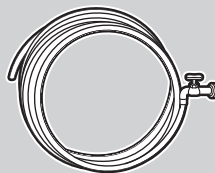
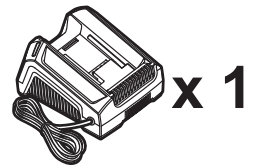
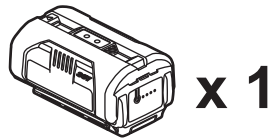
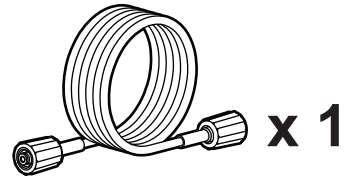
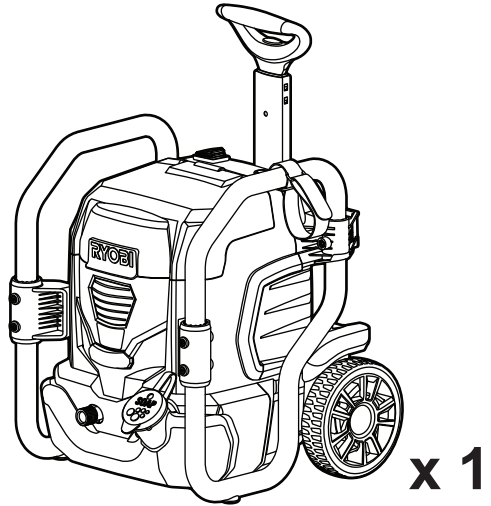
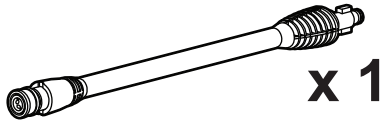
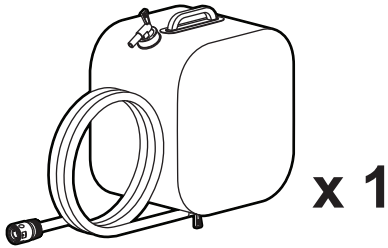
⚠ CAUTION

Indicates a potentially hazardous situation, which, if not avoided, may result in minor or moderate injury.

CAUTION

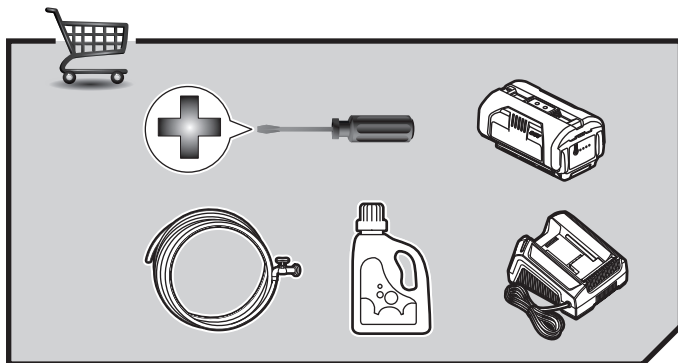
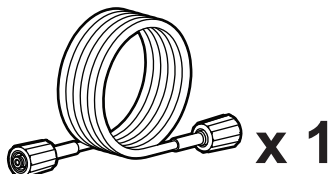
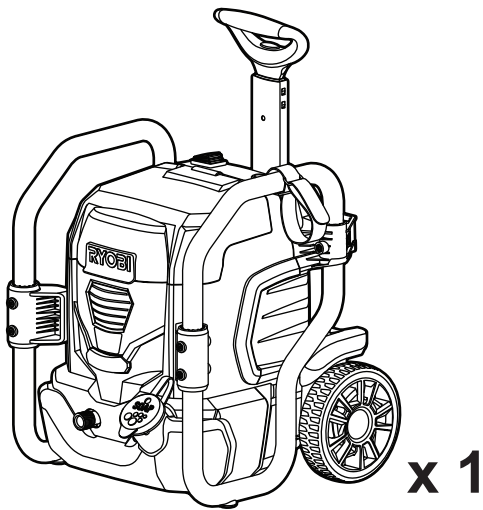
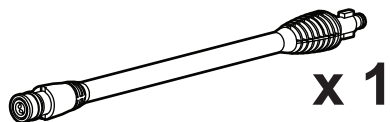
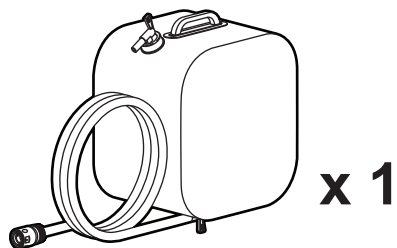
UNPACKING

RPW36X50

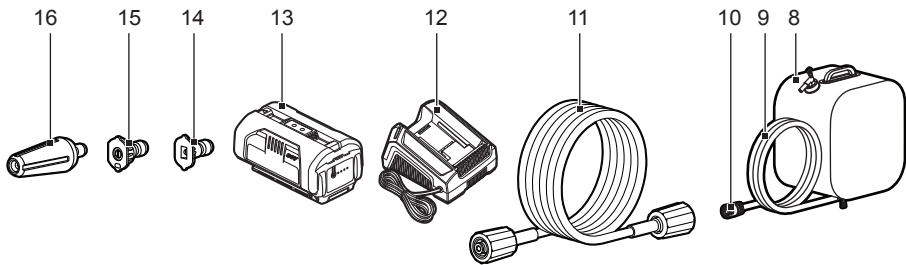
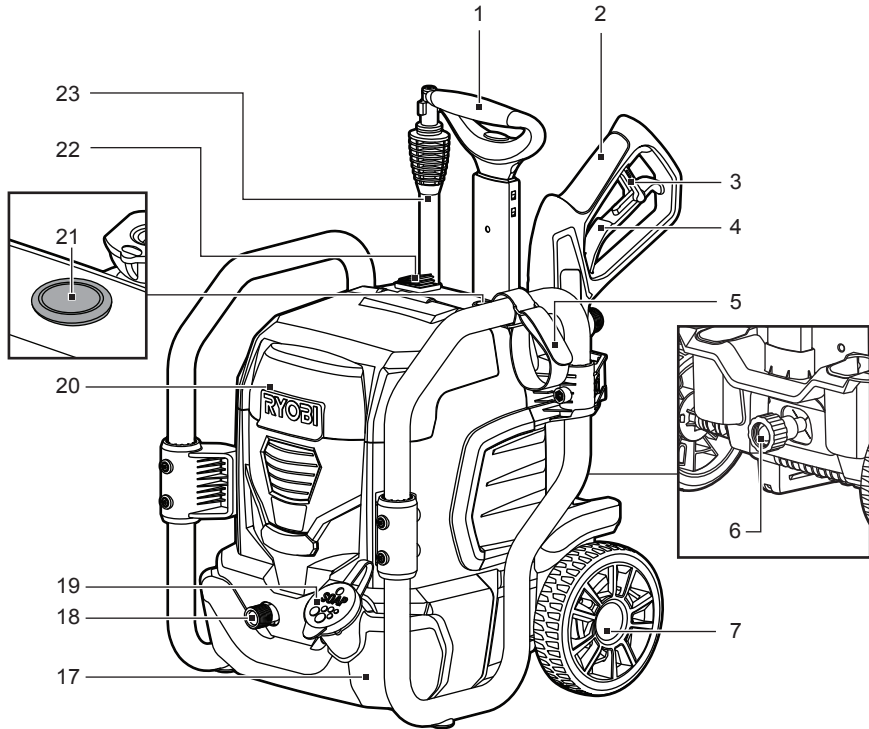


UNPACKING

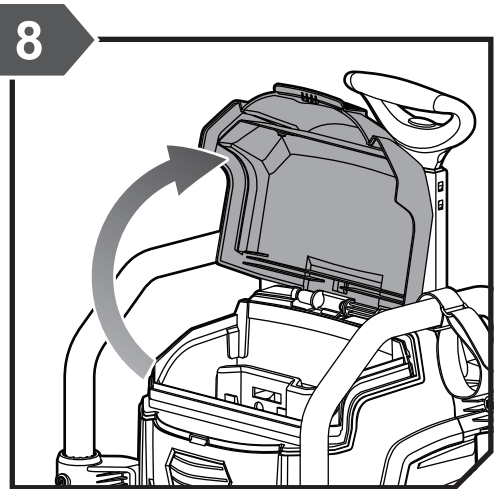
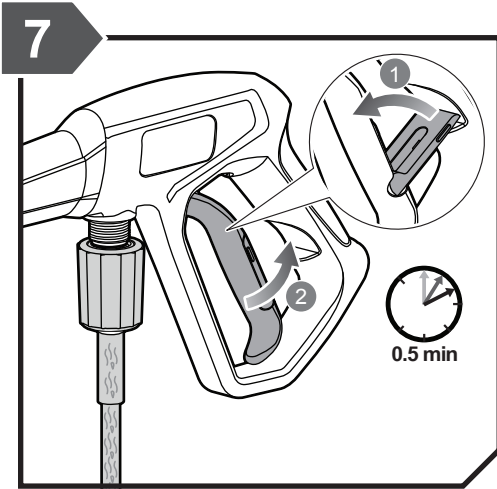
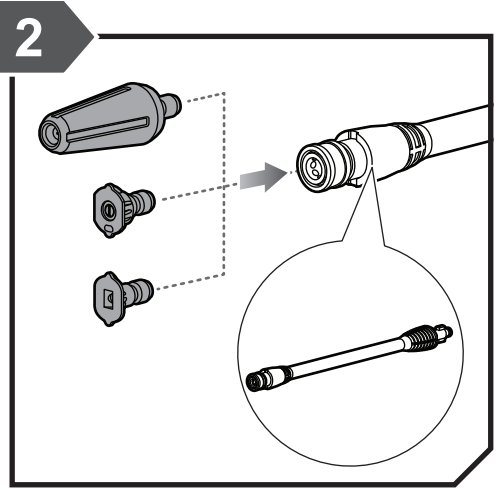
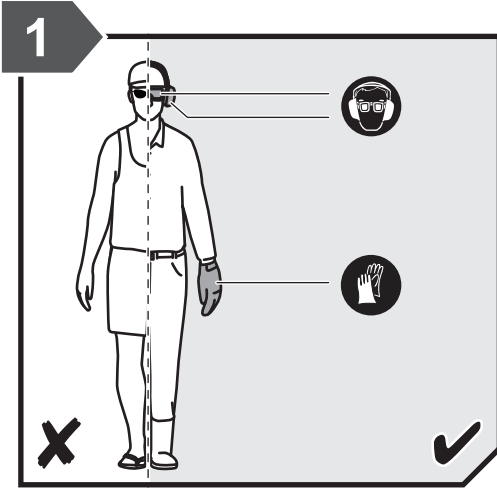
RPW3600



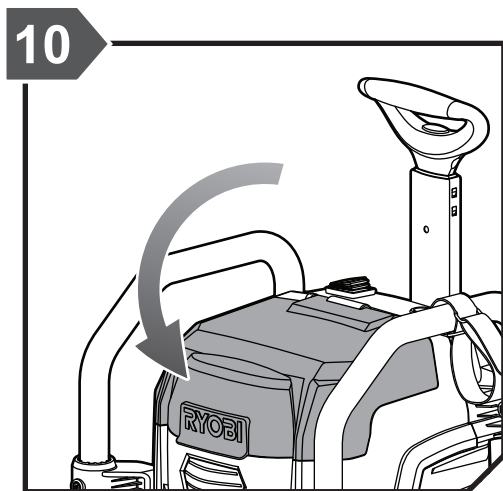
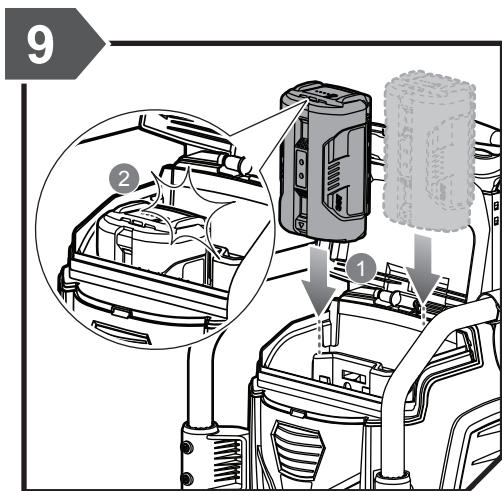
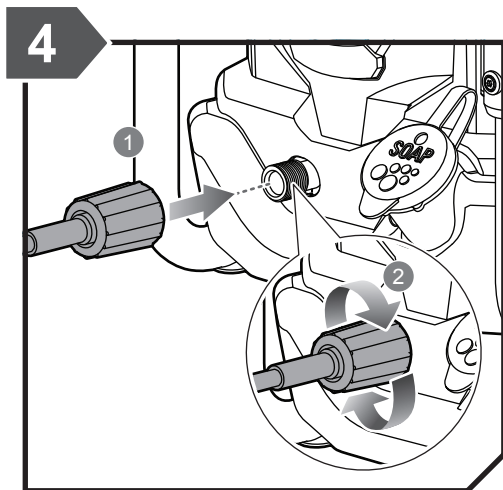
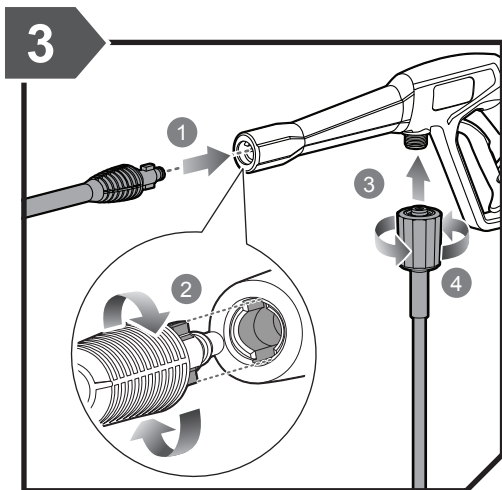
KNOW YOUR PRODUCT



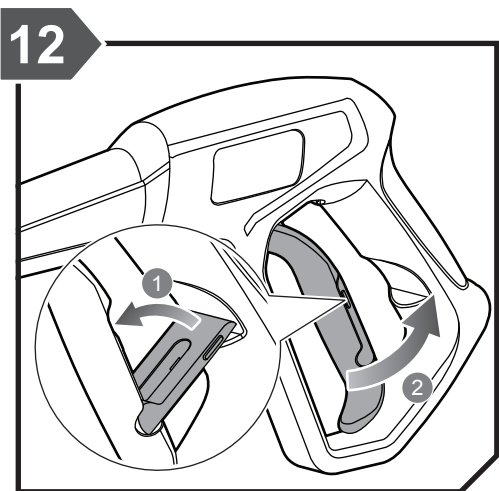
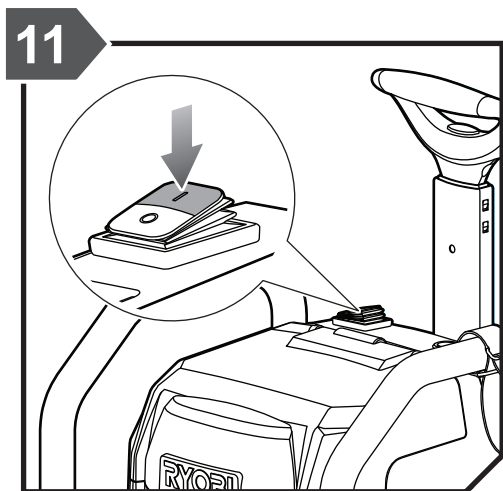
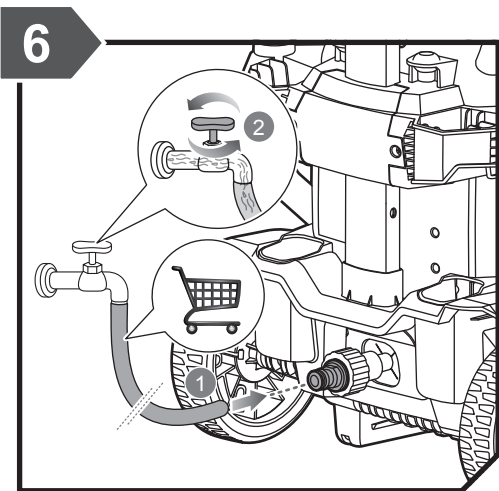
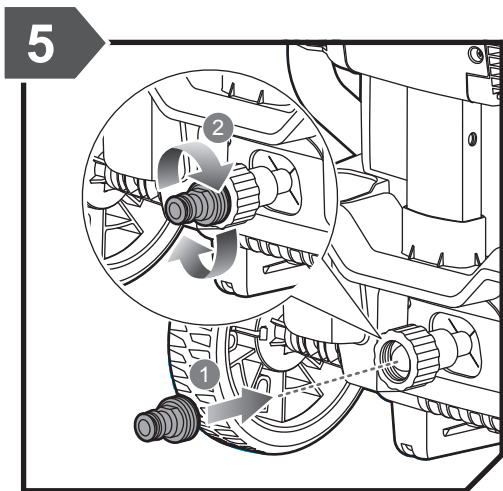
GETTING STARTED



GETTING STARTED



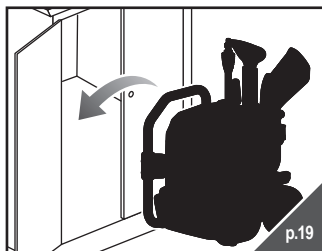
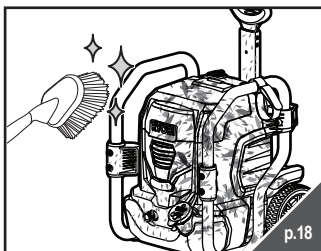
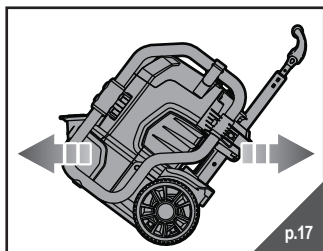
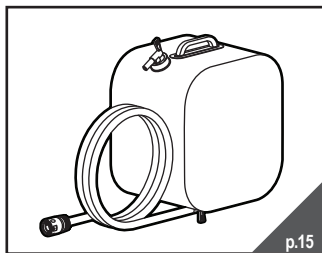
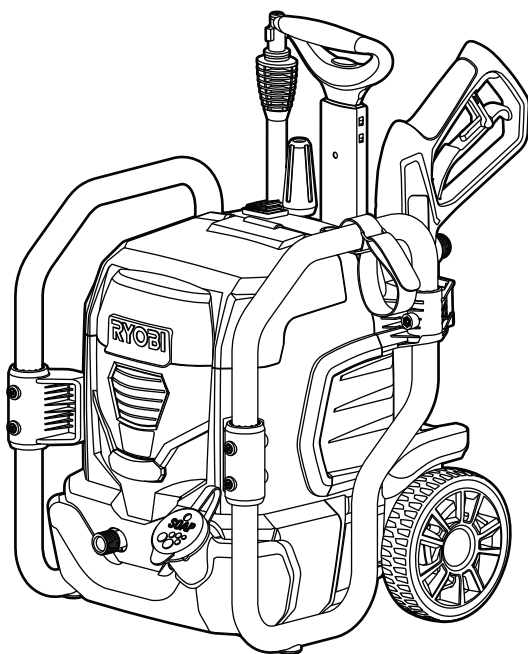
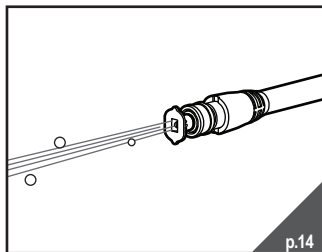
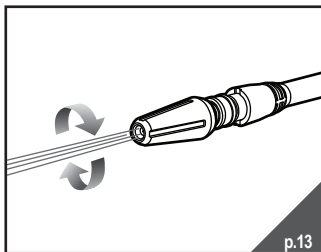
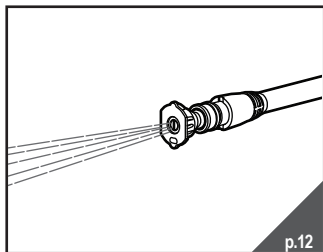
GETTING STARTED



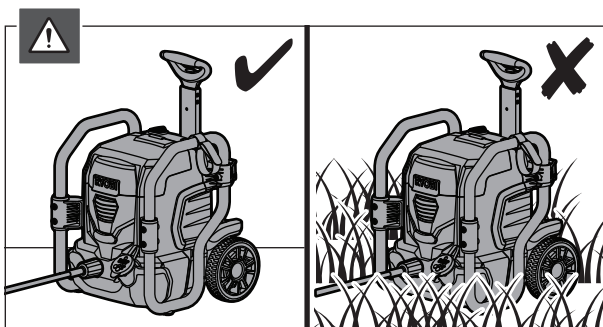
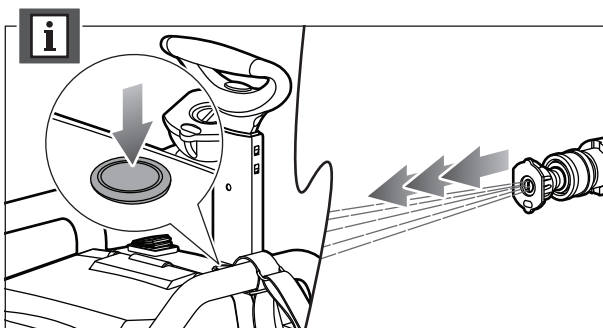
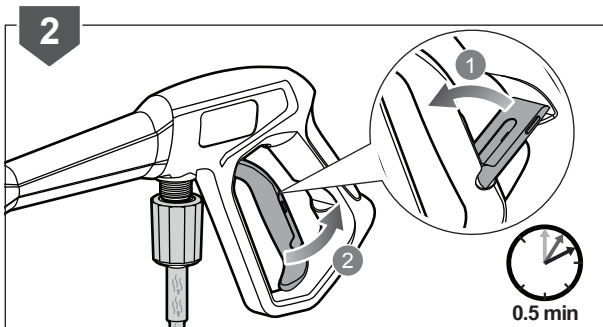
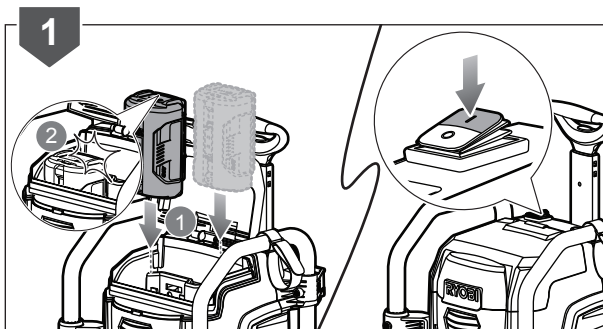
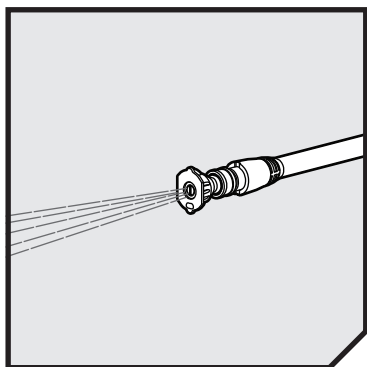




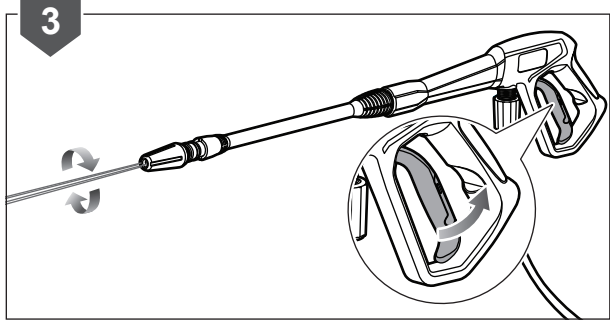
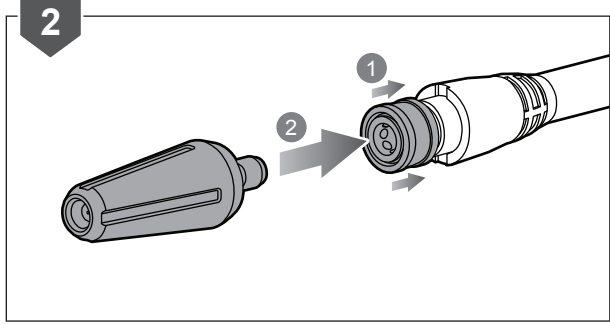
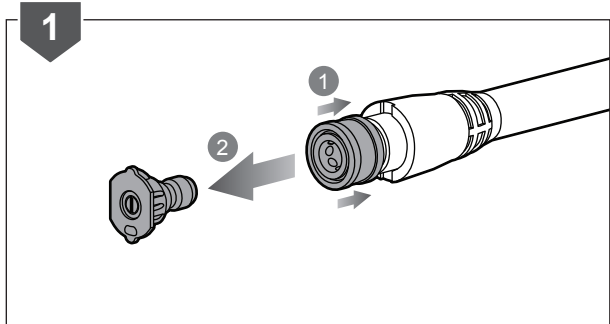
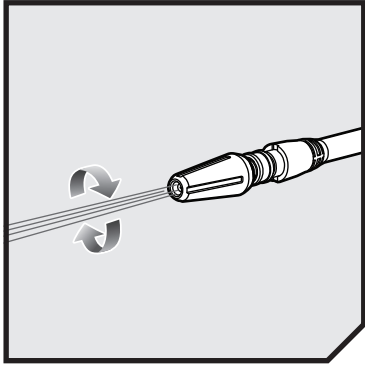
OVERVIEW



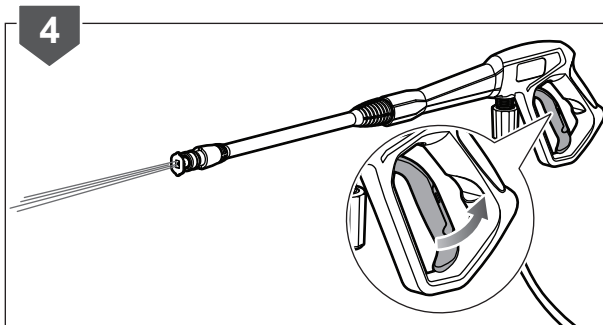
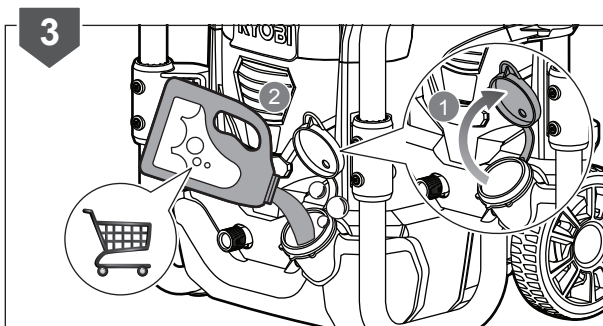
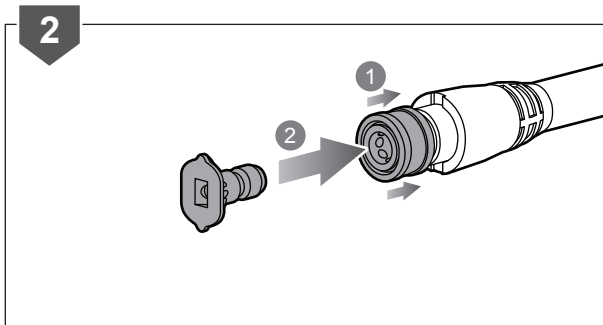
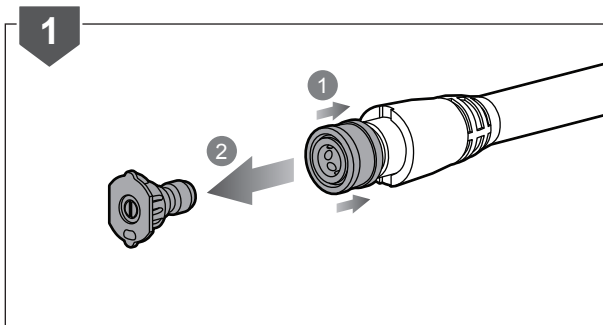
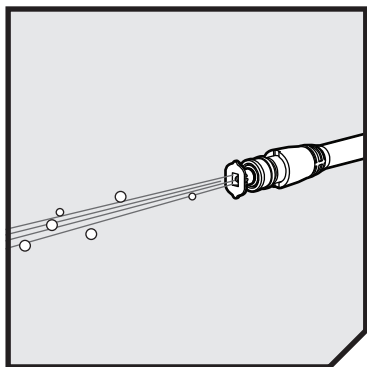
OPERATION



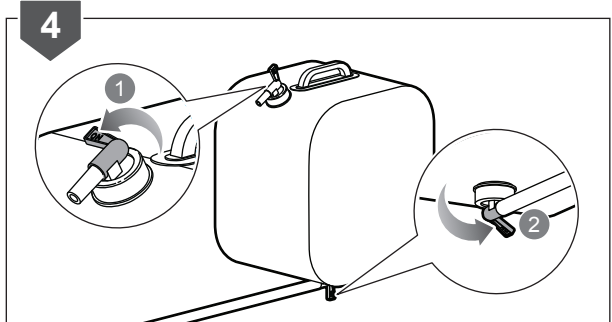
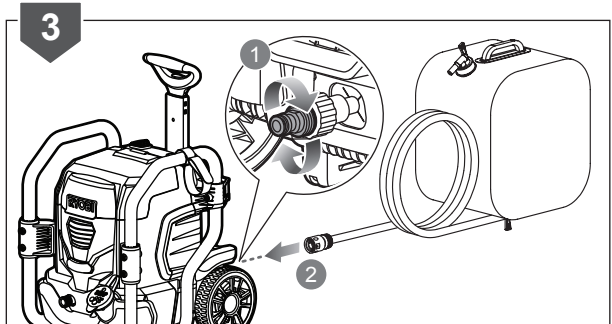
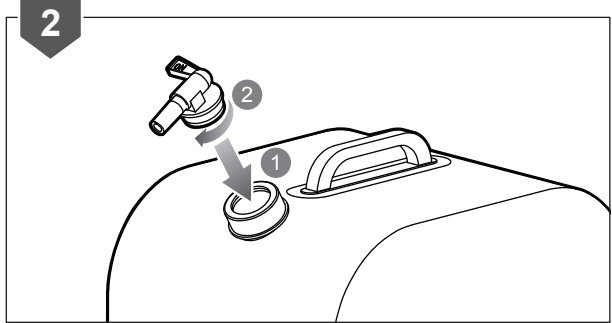
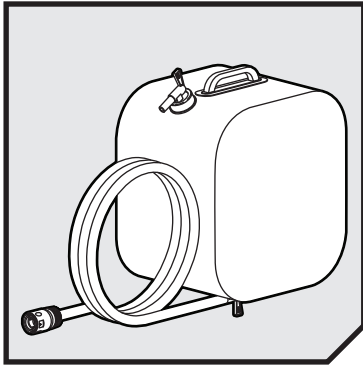
OPERATION



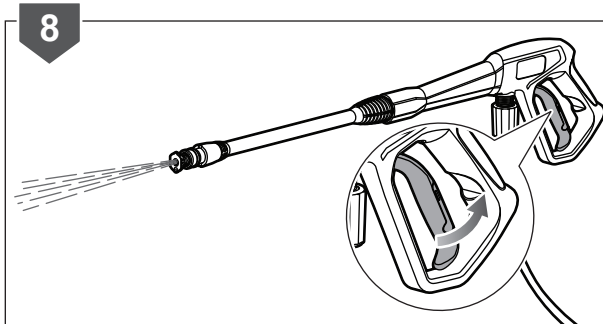
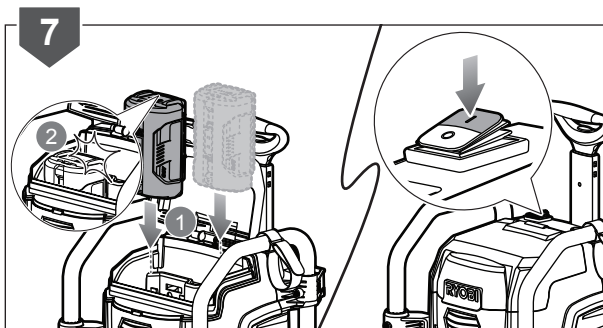
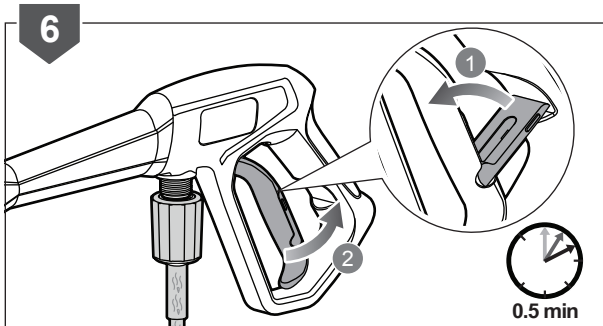
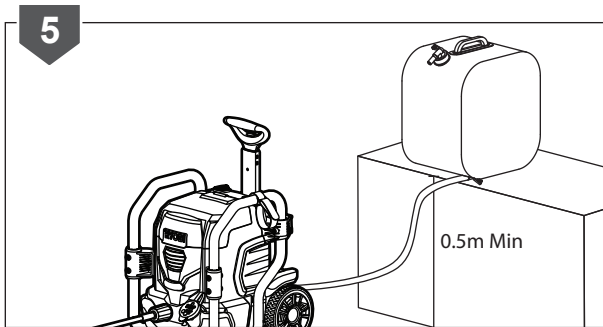
OPERATION



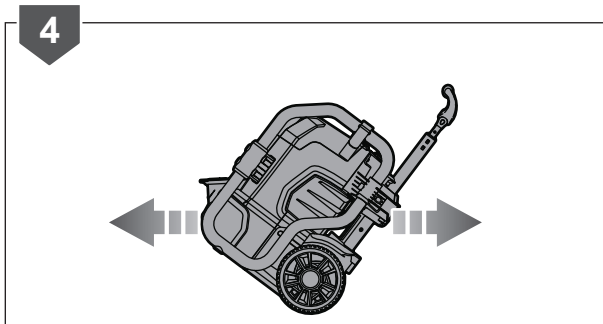
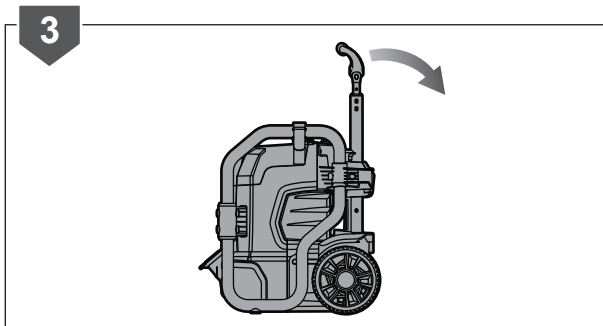
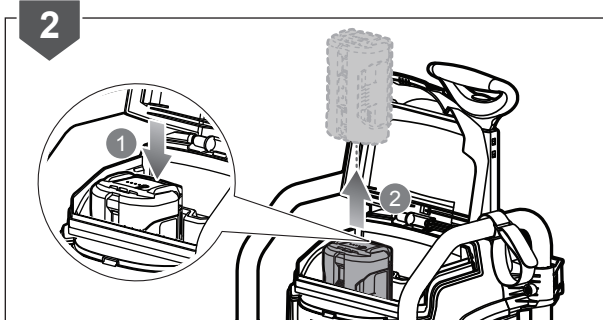
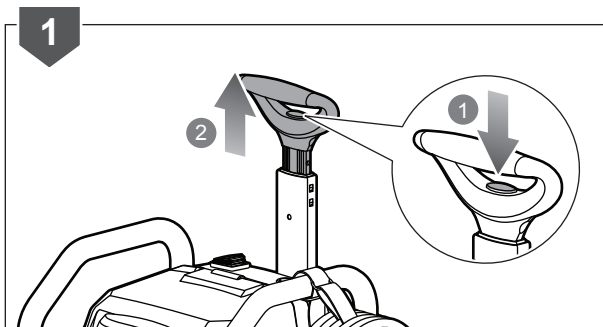
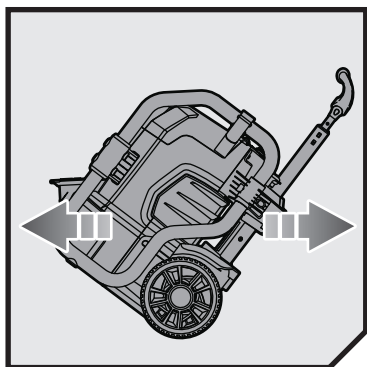
OPERATION



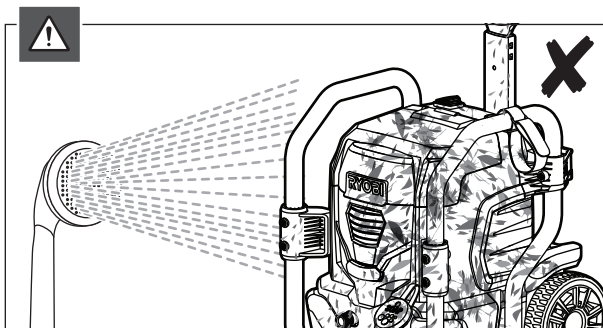
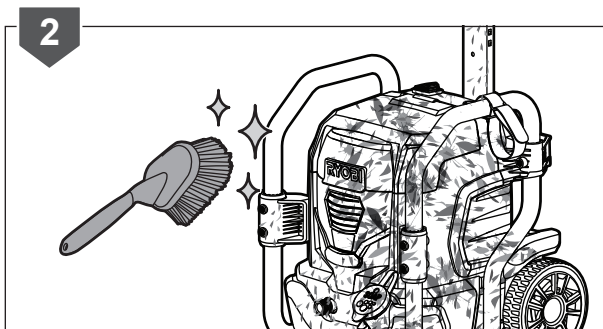
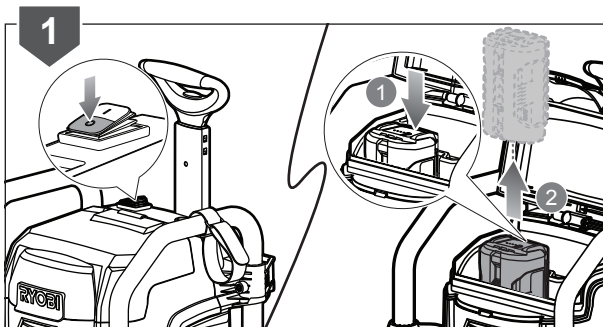
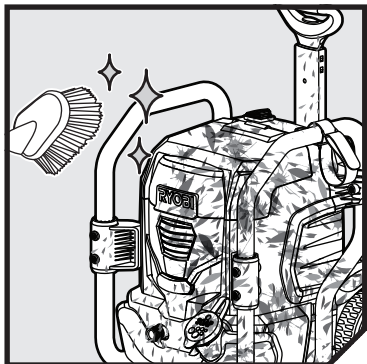
OPERATION



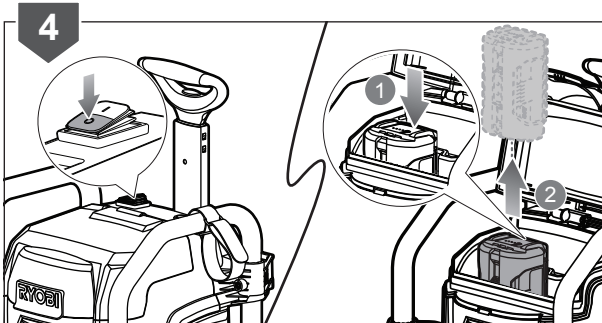
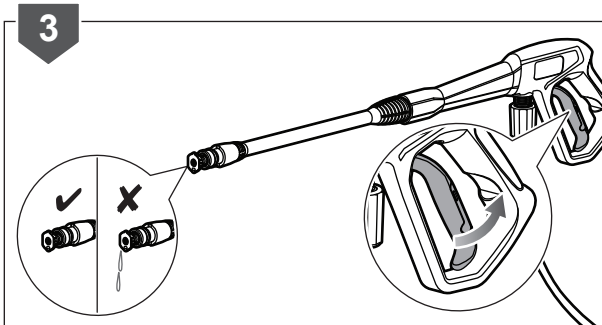
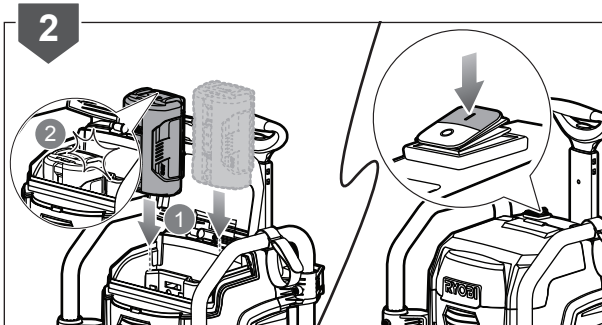
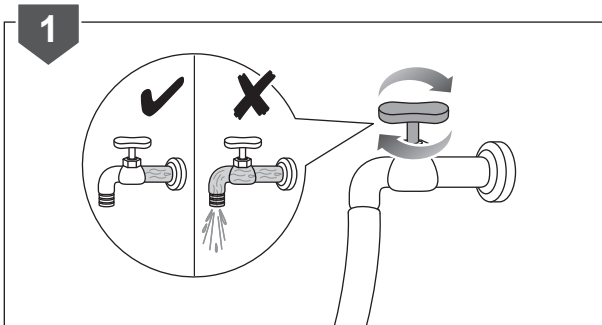
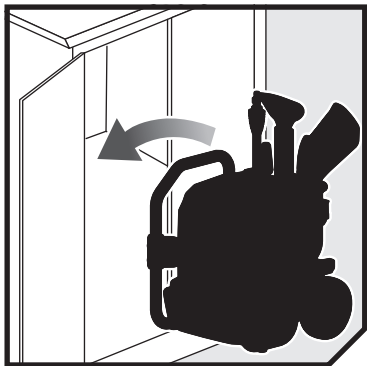
OPERATION



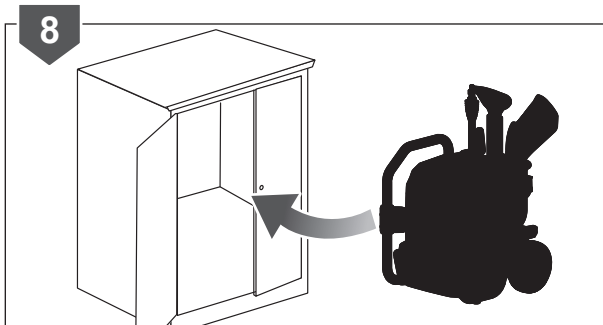
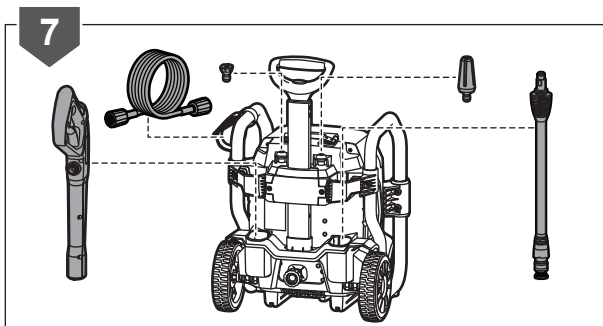
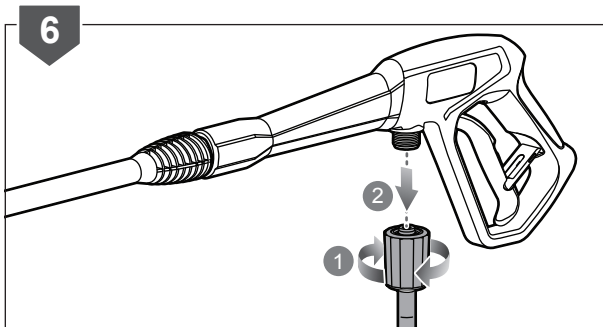
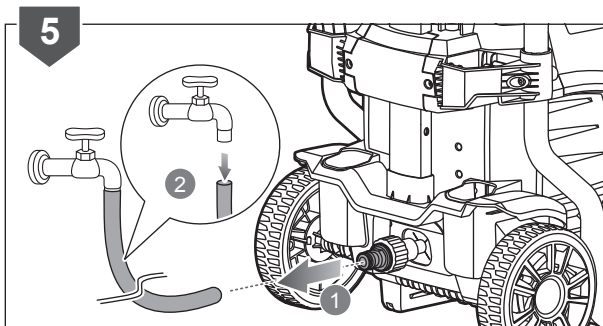
MAINTENANCE



STORAGE



STORAGE



TROUBLESHOOTING

Problem	Possible causes	Solution
Machine does not start	Drained battery	Charge the battery.
	Defective battery	Replace with compatible battery pack.
	Fuse has blown	Bring the product to an authorized service centre for service or repair.
Fluctuating pressure	Pump is sucking air	Check that hoses and connections are air tight.
	Valves are dirty, worn out, or stuck	Clean and replace the part or refer to a local distributor.
	Pump seals worn out	Clean and replace the part or refer to a local distributor.
Motor busses	Low voltage or low temperature	Activate the trigger of the spray handle.
Machine stops	Fuse has blown	Bring the product to an authorized service centre for service or repair.
	Drained battery	Charge the battery.
	Thermal sensor activated	Leave the pressure washer for 15 minutes to cool down.
	Nozzle partially blocked	Clean the nozzle.
Fuse blows	Fuse too small	Bring the product to an authorized service centre for replacement.
Machine pulsating	Air in inlet hose/pump	Allow the product to run with open trigger until regular working pressure resumes.
	Inadequate supply of mains water	Check that the water supply corresponds to the specifications required (see model tag). Avoid using long, thin hoses.
	Nozzle partially blocked	Clean the nozzle.
	Water filter blocked	Clean the filter.
	Hose kinked	Straighten out hose.
Machine often starts and stops by itself	Pump/spray handle is leaking	Contact your nearest authorized service centre.
Machine starts, but no water comes out	Pump, hoses, or other accessory is frozen	Wait for the pump, hoses, or other accessory to thaw.
	No water supply	Connect the water inlet port to a power supply.
	Water filter blocked	Clean the filter.
	Nozzle blocked	Clean the nozzle.

PRODUCT SPECIFICATIONS

Cordless pressure washer

Model	RPW36X50/RPW3600
Rated voltage	36 VDC
Power	1 500 W
Maximum pressure	12.4 MPa (1 800 psi)
Rated pressure	
Boost	10.3 MPa (1 500 psi)
Normal	7.24 MPa (1 050 psi)
Degree of protection	IPX5
Dilution ratio	20:1
Rated flow	5.3 L/min
Max. flow	6.0 L/min
Max. inlet water pressure	0.7 MPa (100 psi)
Weight	12 kg
Sound pressure level, Uncertainty	LpA = 66 dB(A), KpA = 3 dB
Sound power level, Uncertainty	LwA = 79 dB(A), KwA = 3 dB
Vibration value	< 2.5 m/s ²

BATTERY AND CHARGER

Model	RPW36X50	RPW3600
Battery pack	1 x BPL3650D	not included
Weight	1.5 kg	-
Charger	1 x BCL3620S	not included
Weight	1.2 kg	-
Compatible battery pack	BPL3626, BPL3626D, BPL3640D, BPL3650D	
Compatible charger	BCL3620, BCL3620S, BCL3650F	





Imported by:

Techtronic Industries (Australia) Pty. Ltd.
31 Gilby Road, Mount Waverley,
VIC 3149, Australia

Techtronic Industries New Zealand Ltd.
2 Landing Drive, Mangere,
Auckland, New Zealand 2022

960478037-01