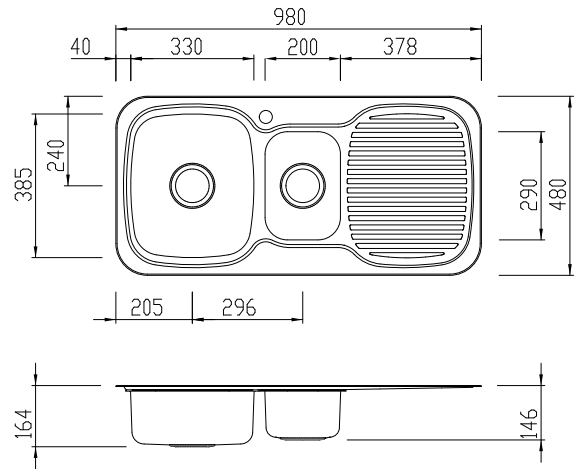


# LL126

## LakeLand

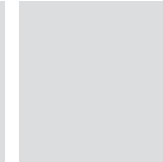
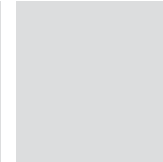
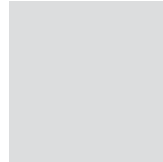
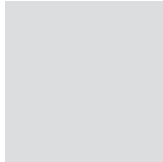
Oliveri®

### LEFT HAND BOWL SINK



### INCLUDED ACCESSORIES

AC14



### RECOMMENDED TAPWARE

NW7310

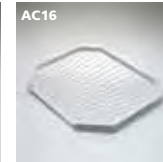


SS913



### OPTIONAL ACCESSORIES

AC01



 **Australian Made Sink**  
Oliveri

### SPECIFICATIONS

#### Description

1 & 1/2 bowl inset sink with drainer

#### Sink Size

980W x 480H

#### Main Bowl

330W x 385H x 155D / 17L

#### 1/2 Bowl

200W x 290H x 130D / 7L

#### Construction

2 piece, bowls & drainer seam welded

#### Material

304 grade, 18/10 polished stainless steel (0.8mm thick)

#### Installation

Inset recommended.

#### Fixings

Adjustable clips and sealing foam supplied

#### Cut Out Template

960 x 460 x 95mm radius

#### Min Cabinet Size

600mm

#### Tap holes

Available 0 or 1 tap hole (specify when ordering)

#### Waste fittings

2 x 90mm basket wastes included

#### Overflow

Available, conditions apply

#### Carton Size

990 x 490 x 170mm

#### Weight

6.0kg

#### Warranty

Lifetime manufacturer's warranty (refer to oliverisinks.com)

For more information call **1300 13 7465** or visit **www.oliverisinks.com**

