

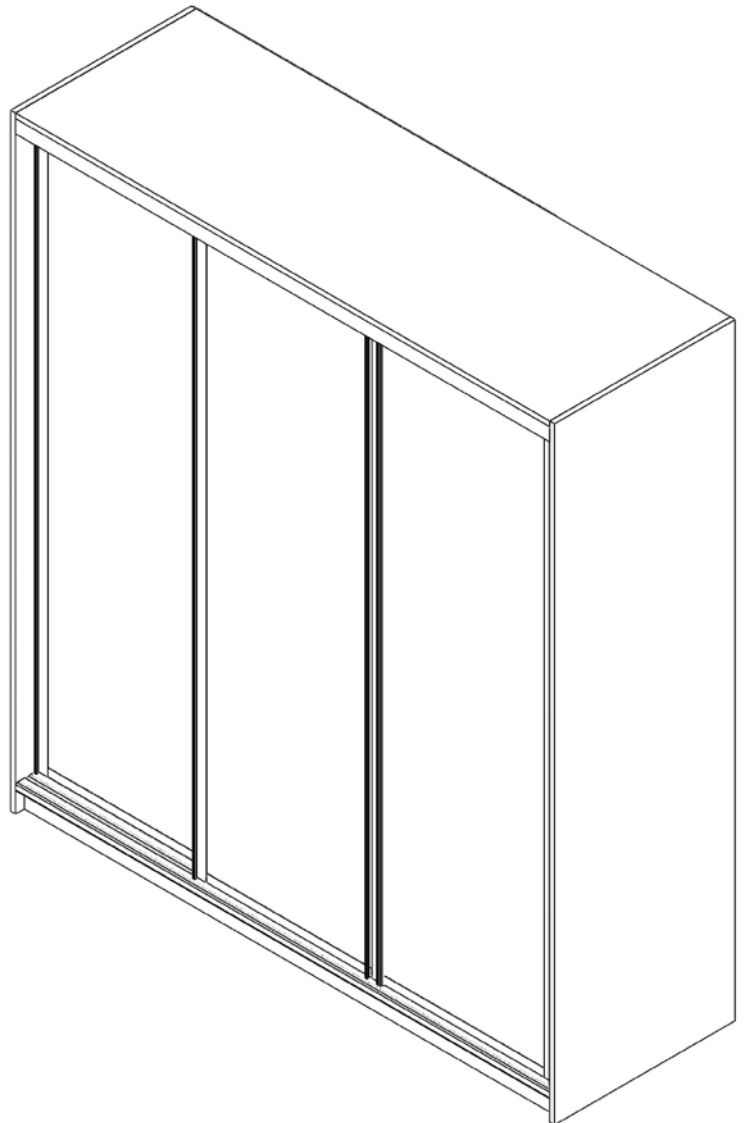
Sliding Wardrobe 1790mm

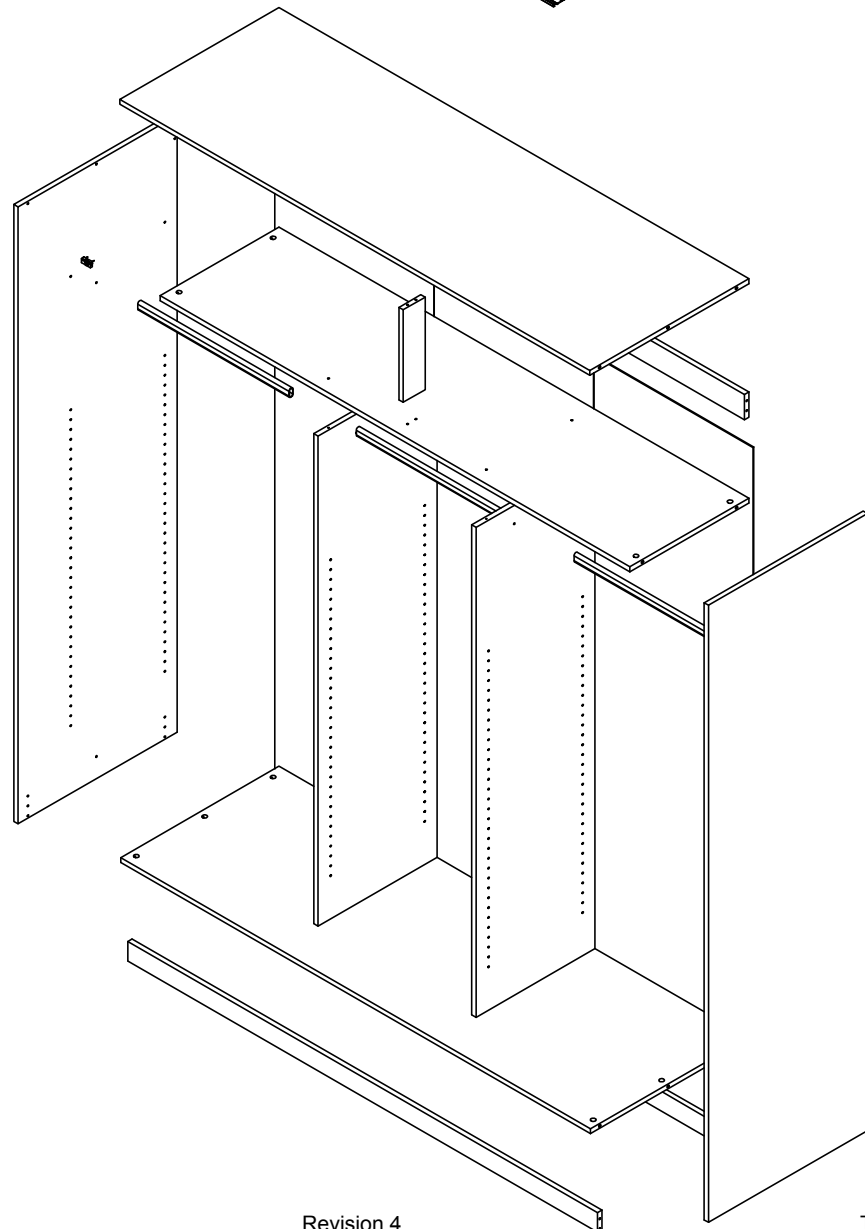
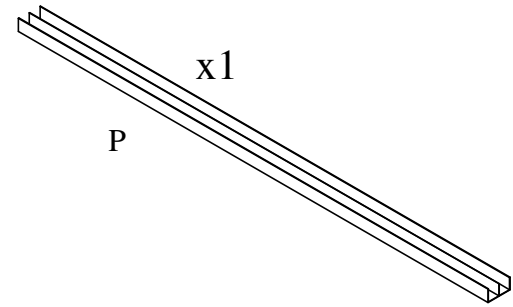
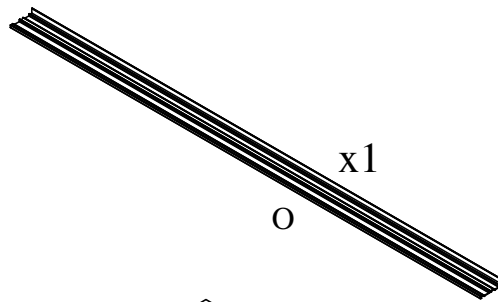
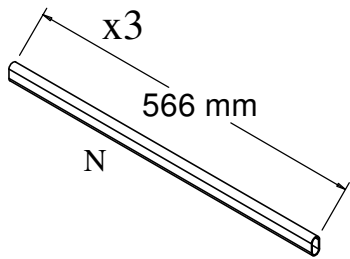
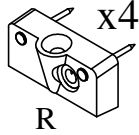
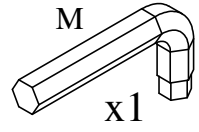
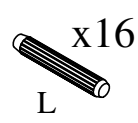
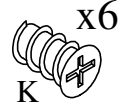
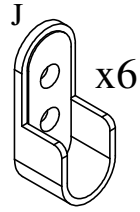
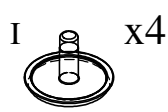
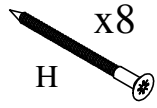
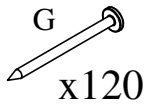
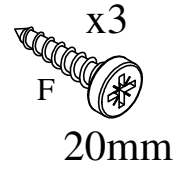
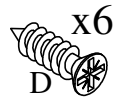
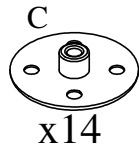
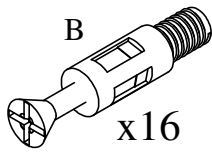
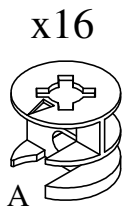
IMPORTANT

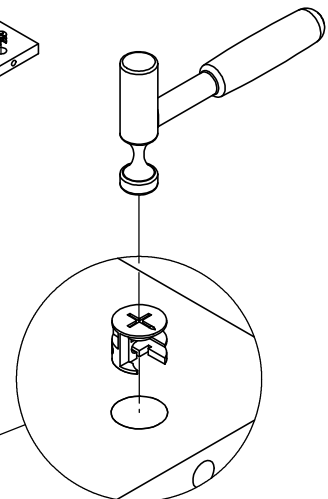
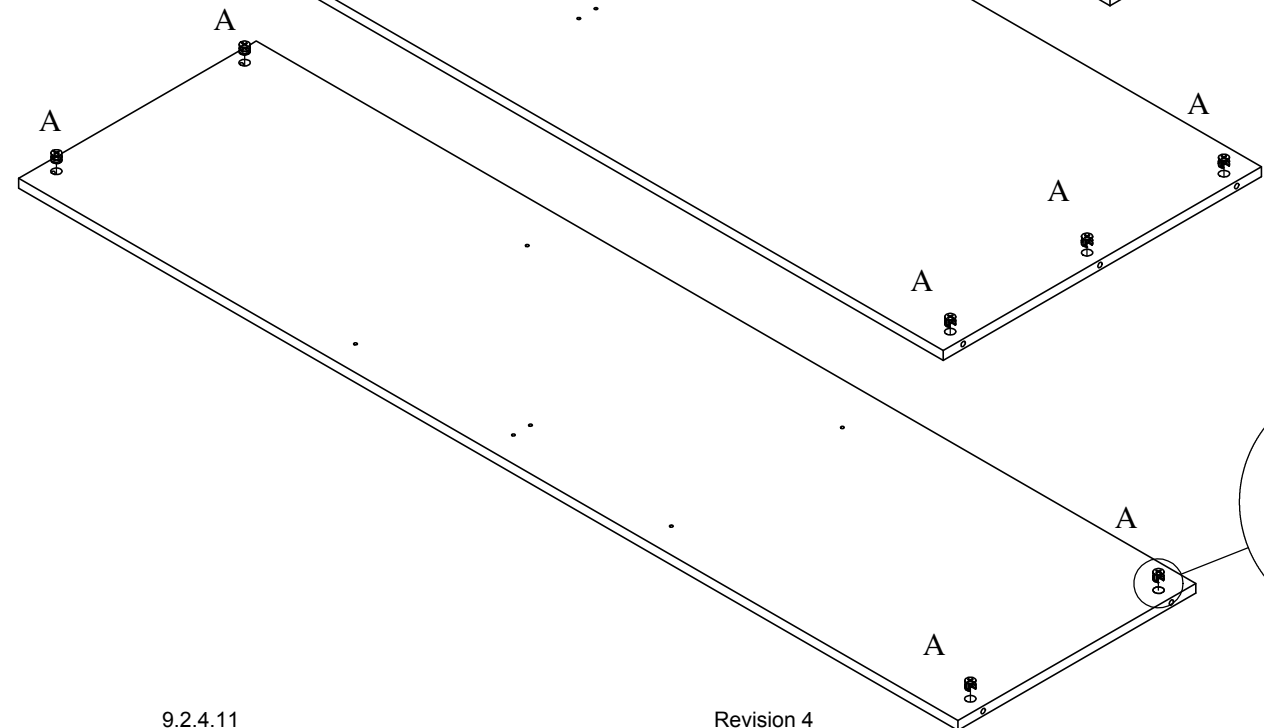
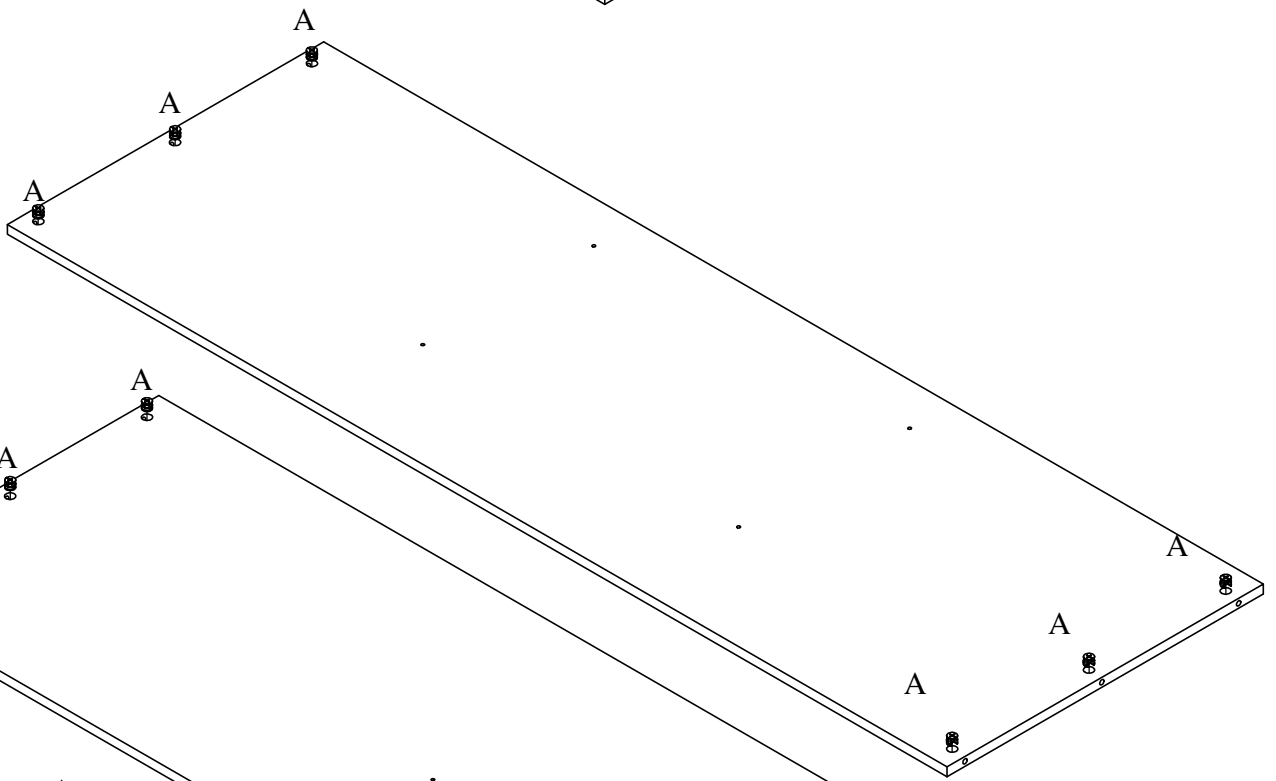
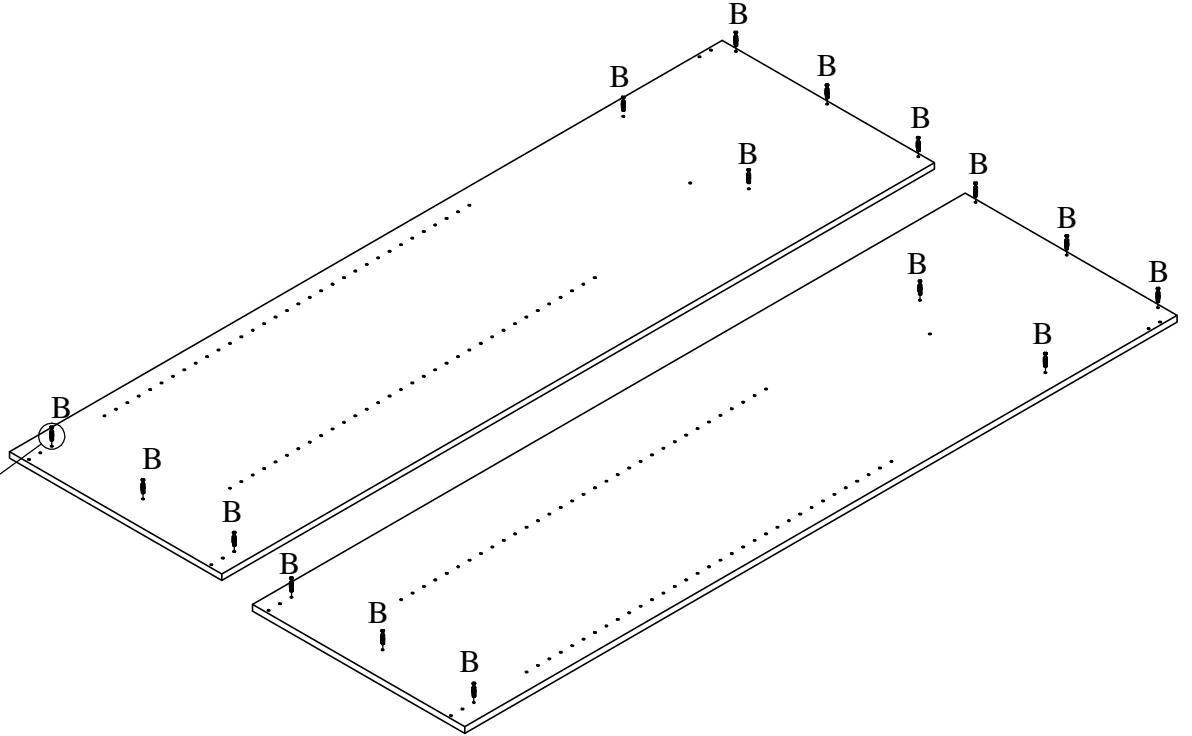
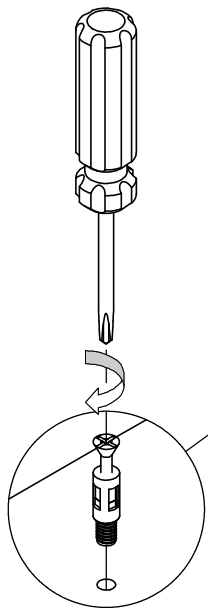
Before commencing assembly:

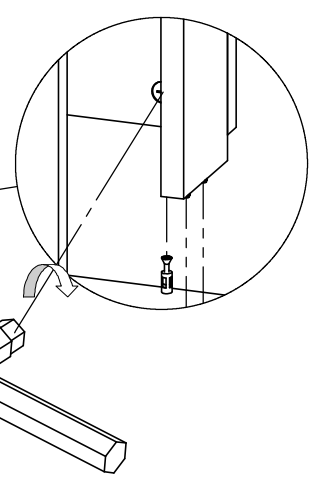
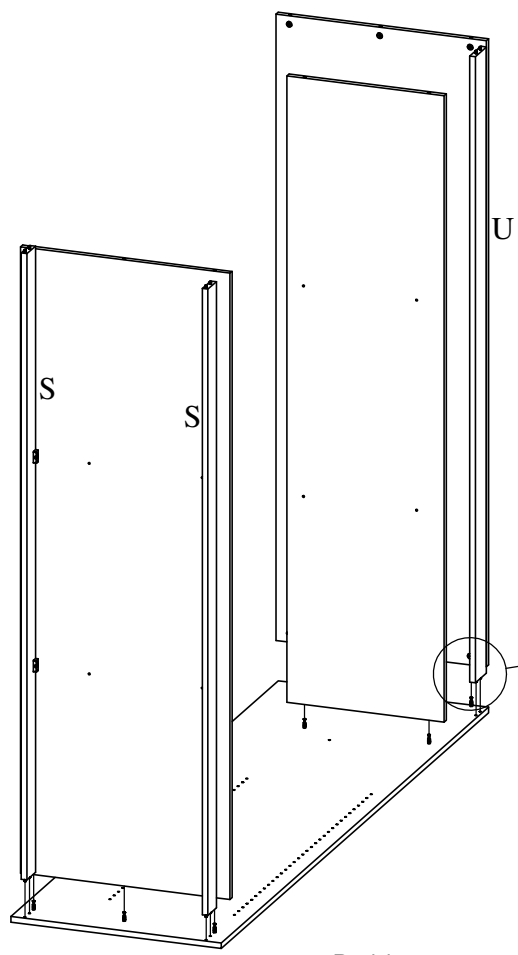
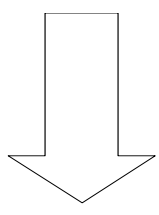
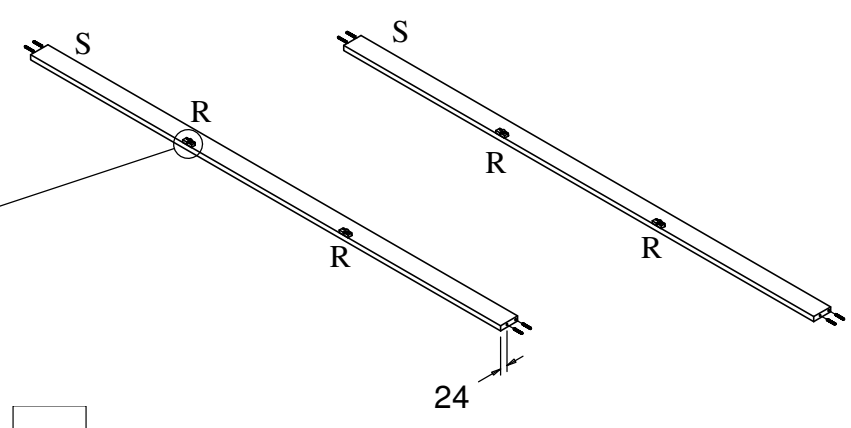
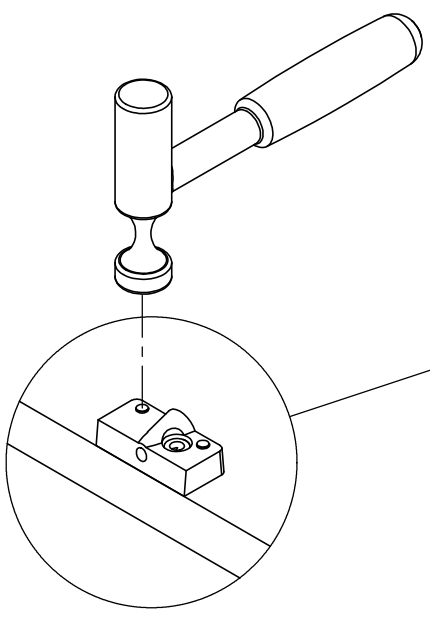
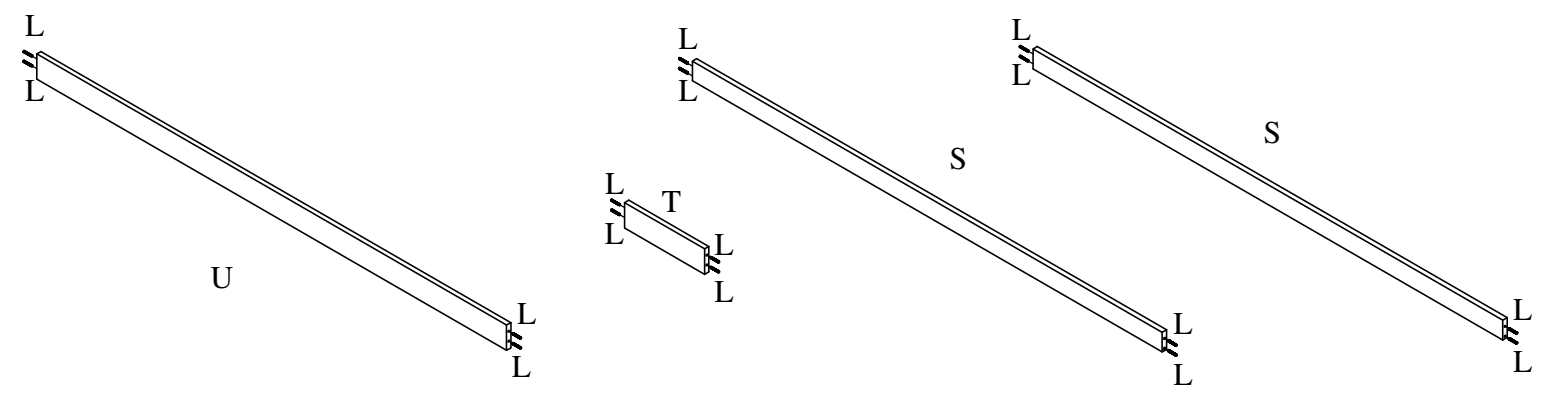
- Follow all instructions **COMPLETELY**.
- Hardware kit contains small parts; keep out of reach of children.
- Ensure all listed parts are present.
- Required tools to assemble:
Philips head screw driver, Battery Drill & Spirit Level.
- Required assembly work surface should be solid, level, clean and flat.
- Ensure all melamine edges are facing to the front of the unit.
- Two person assembly required.

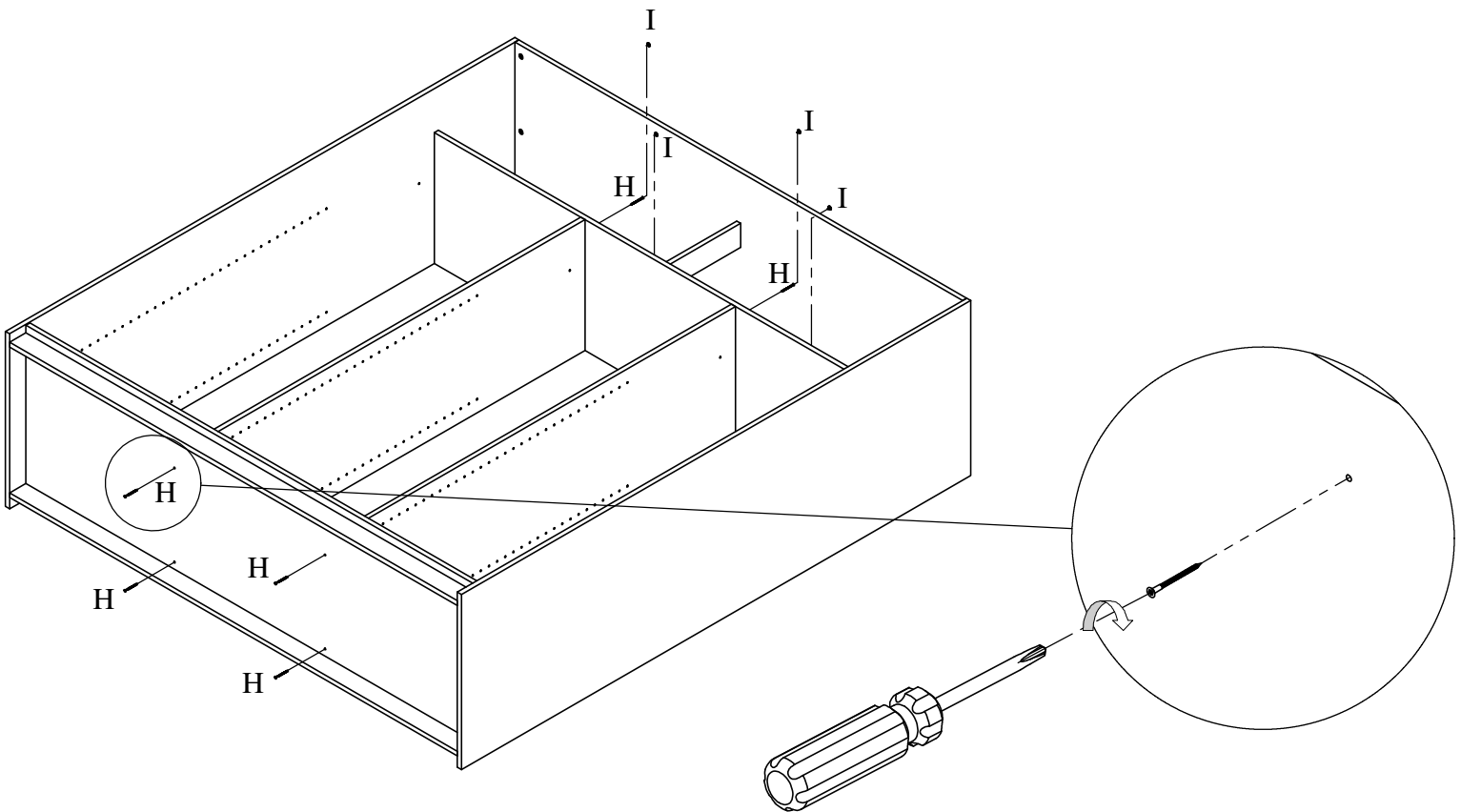
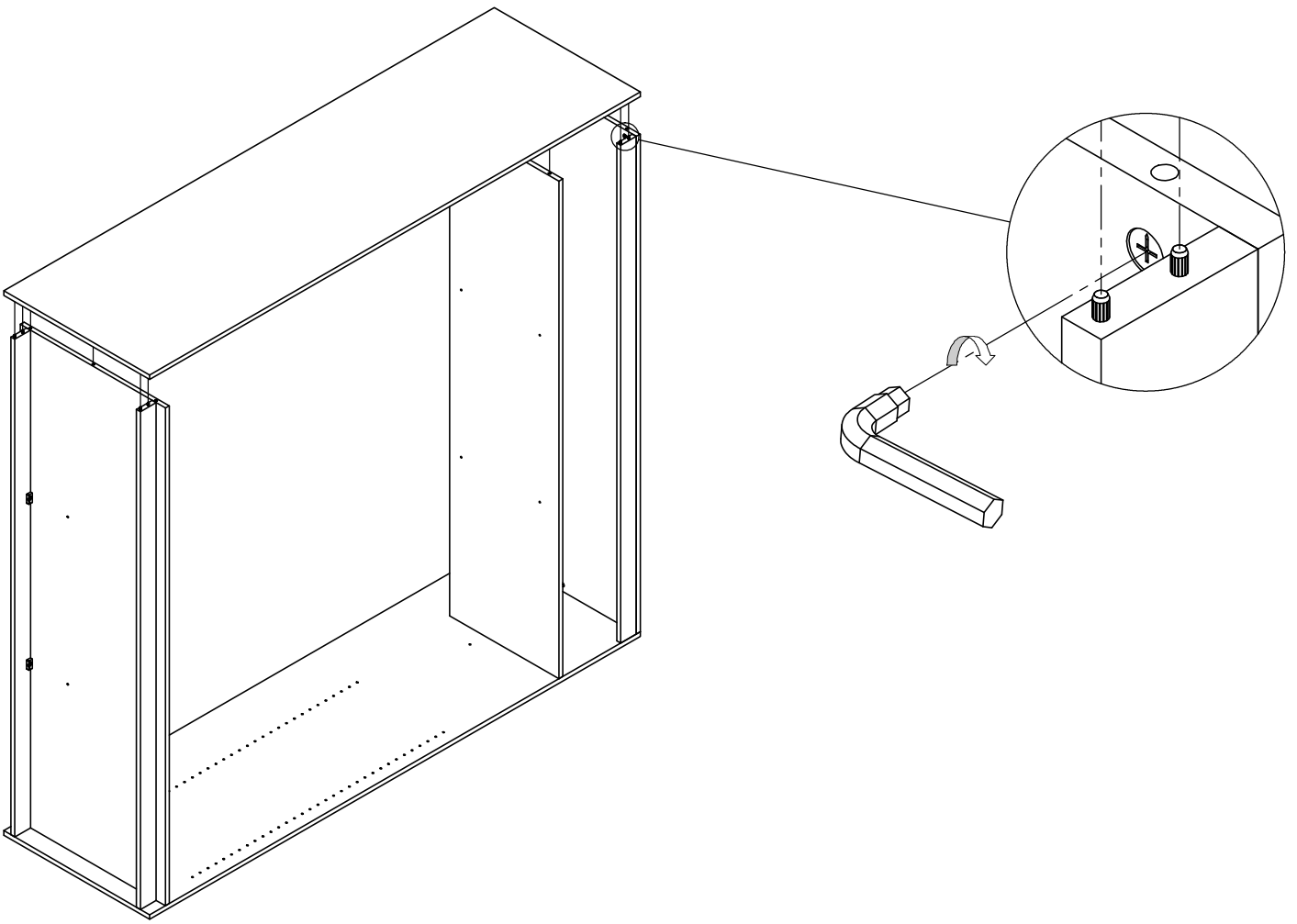
Customer Services Enquiries 1800 822 823

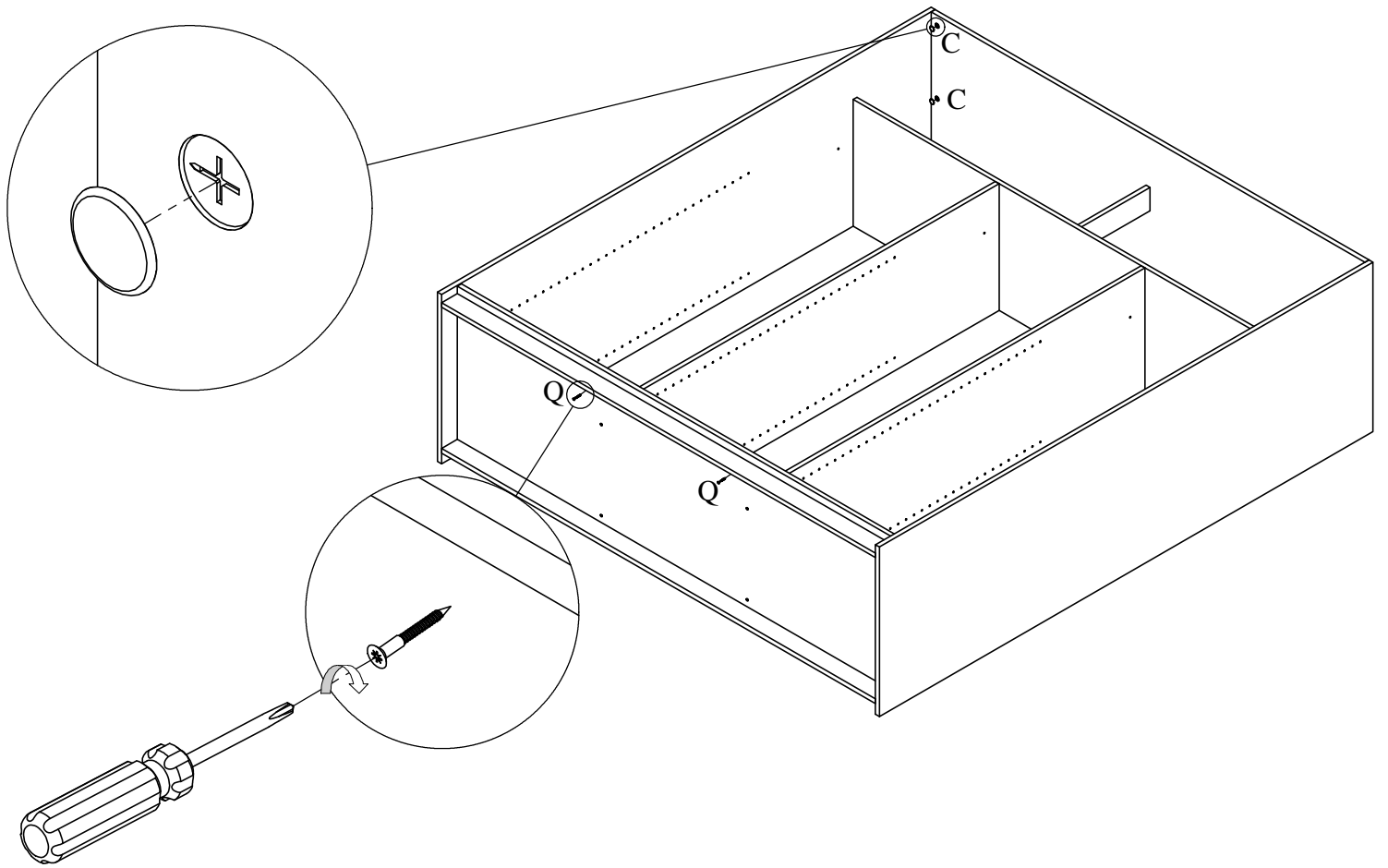






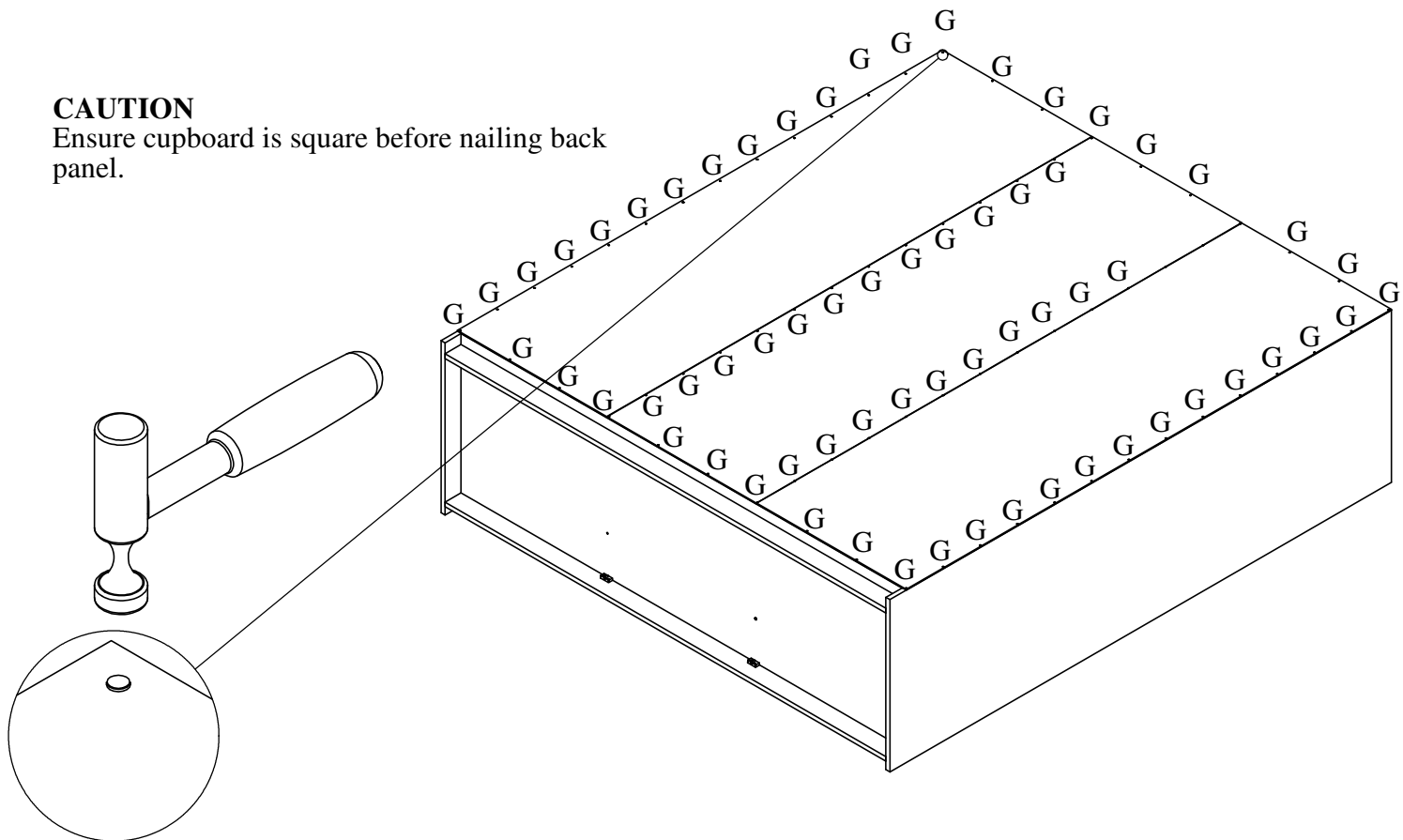


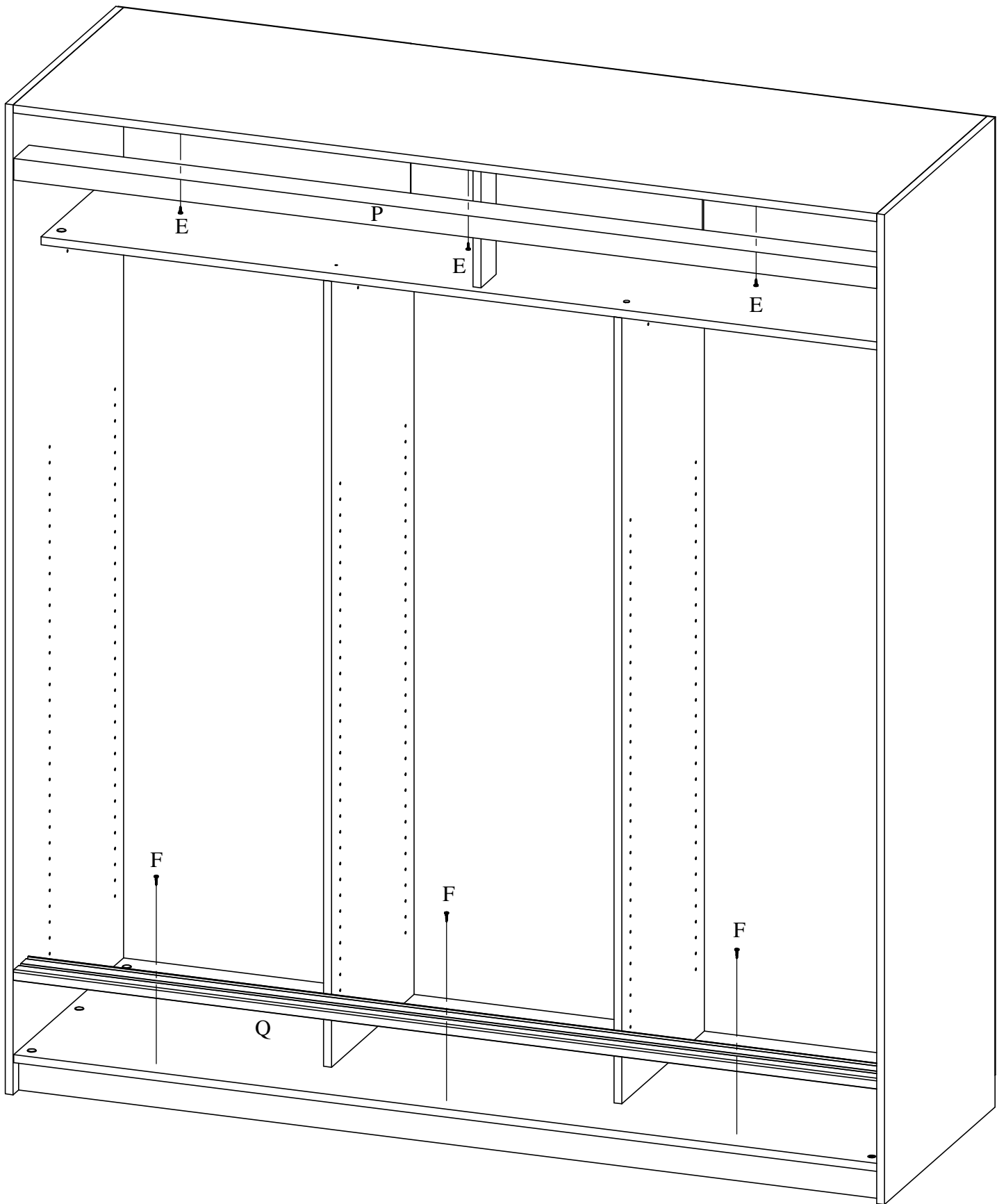


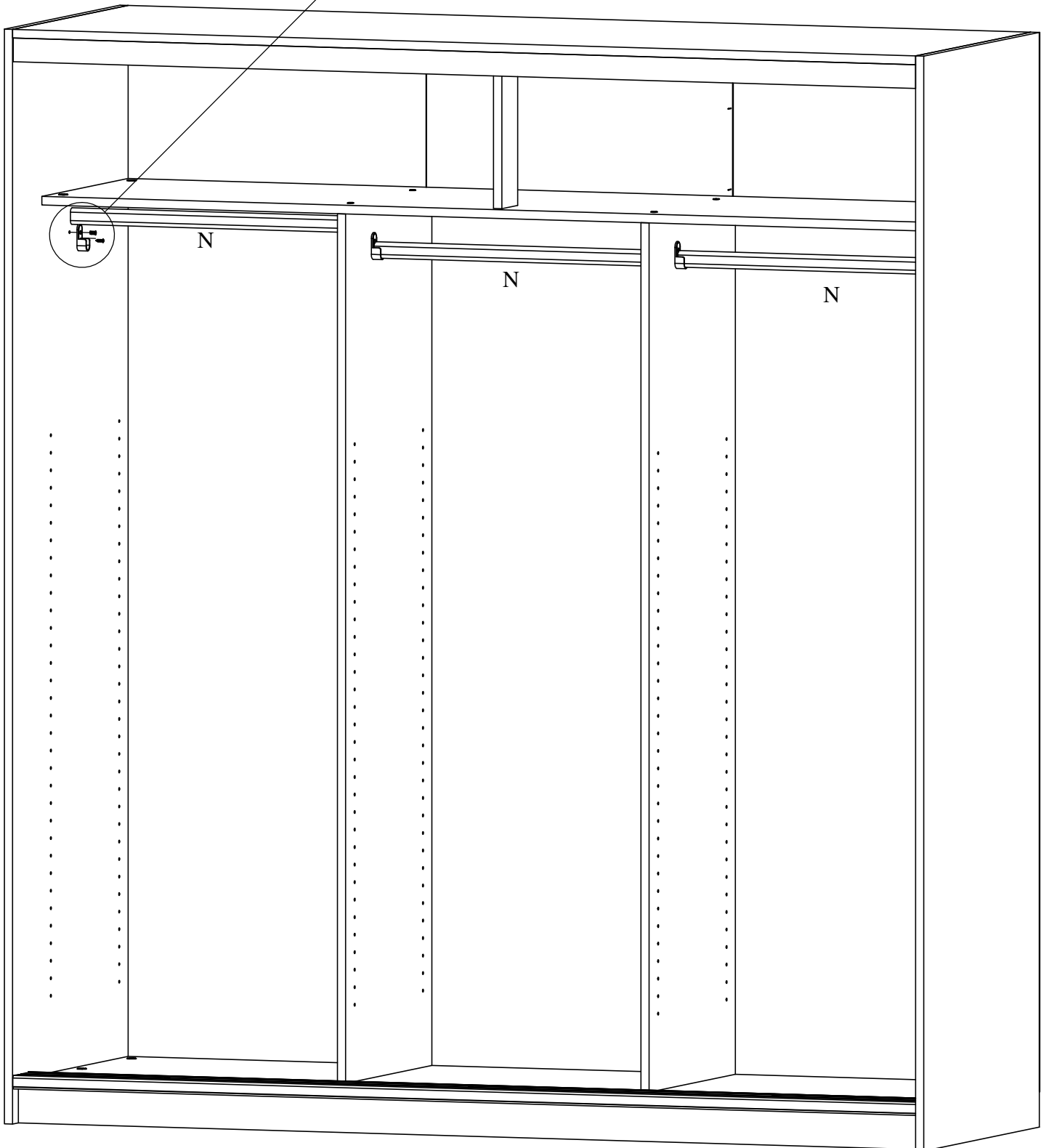
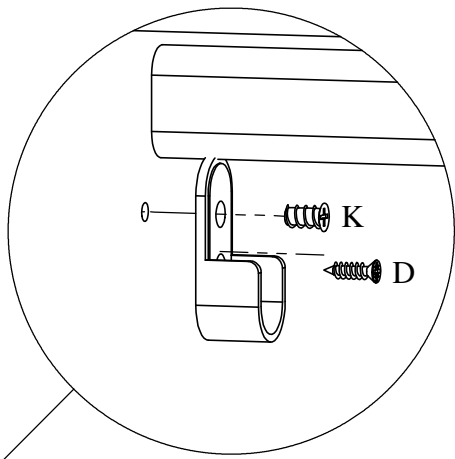


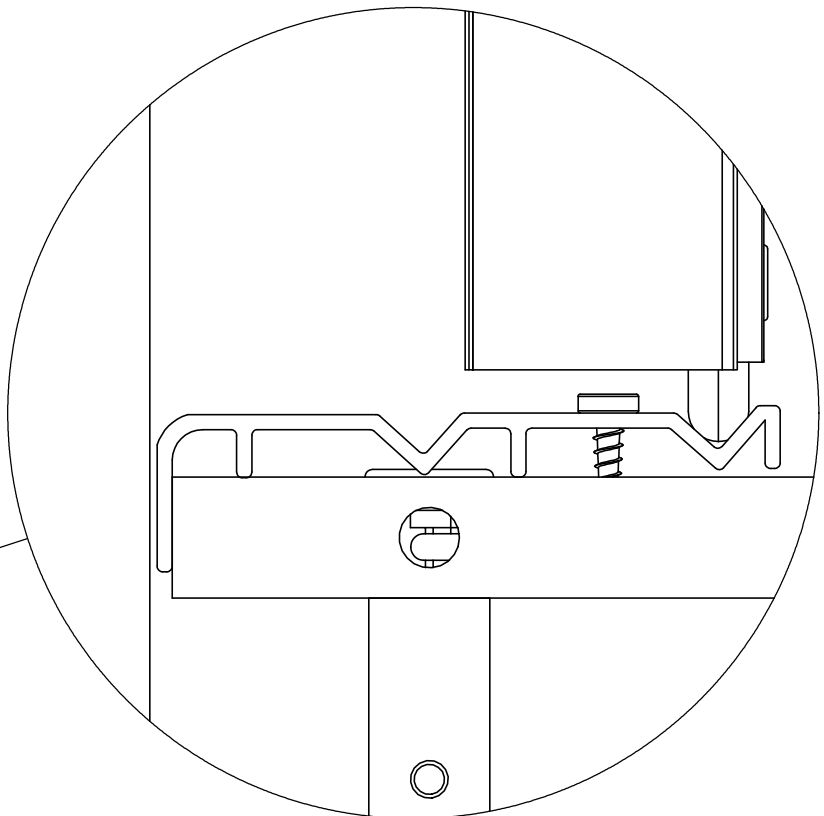
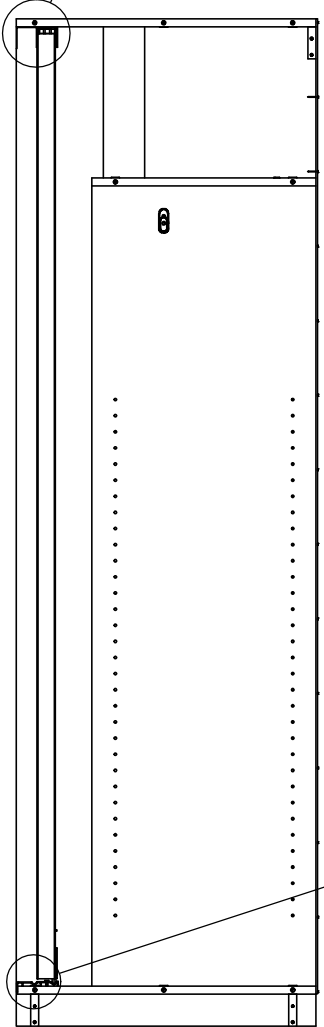
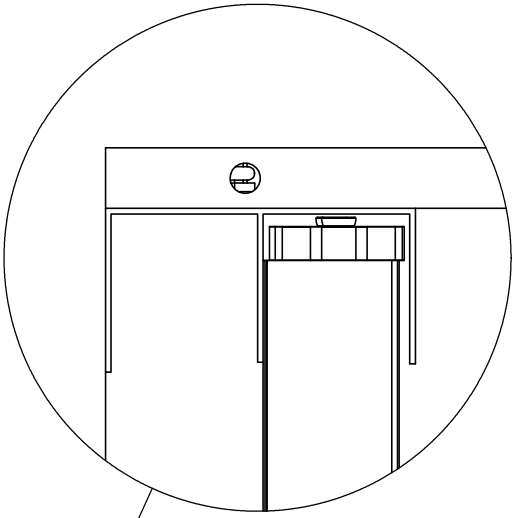
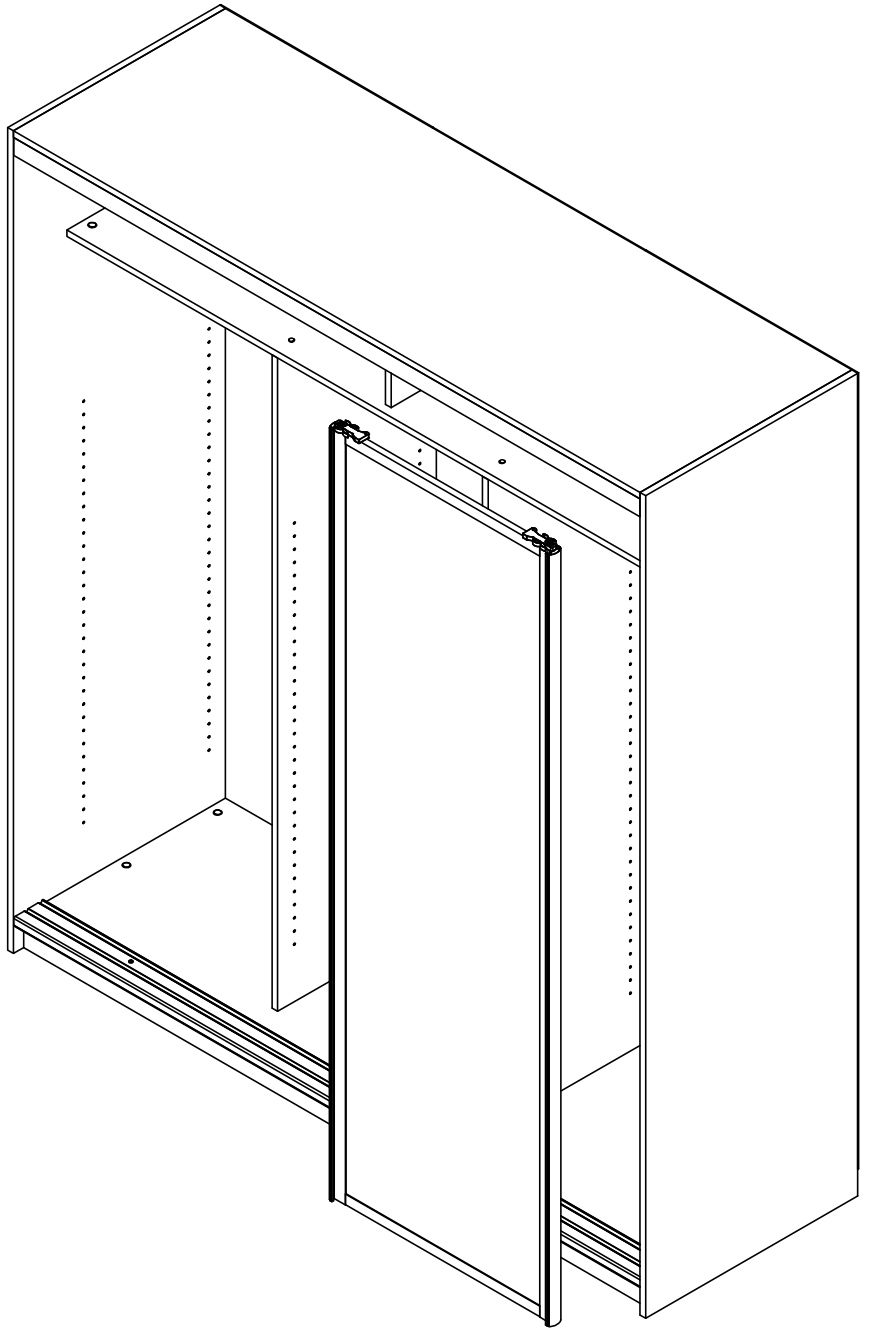
CAUTION

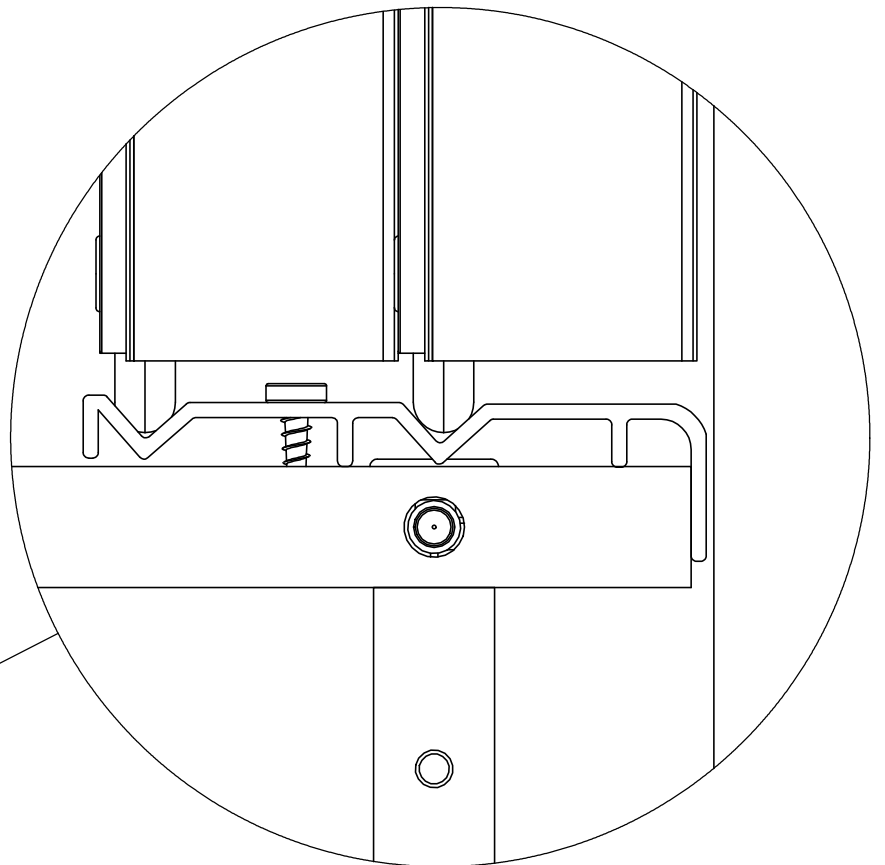
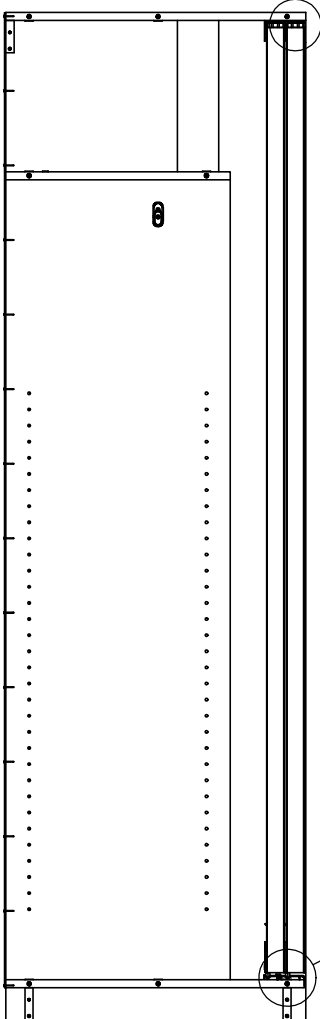
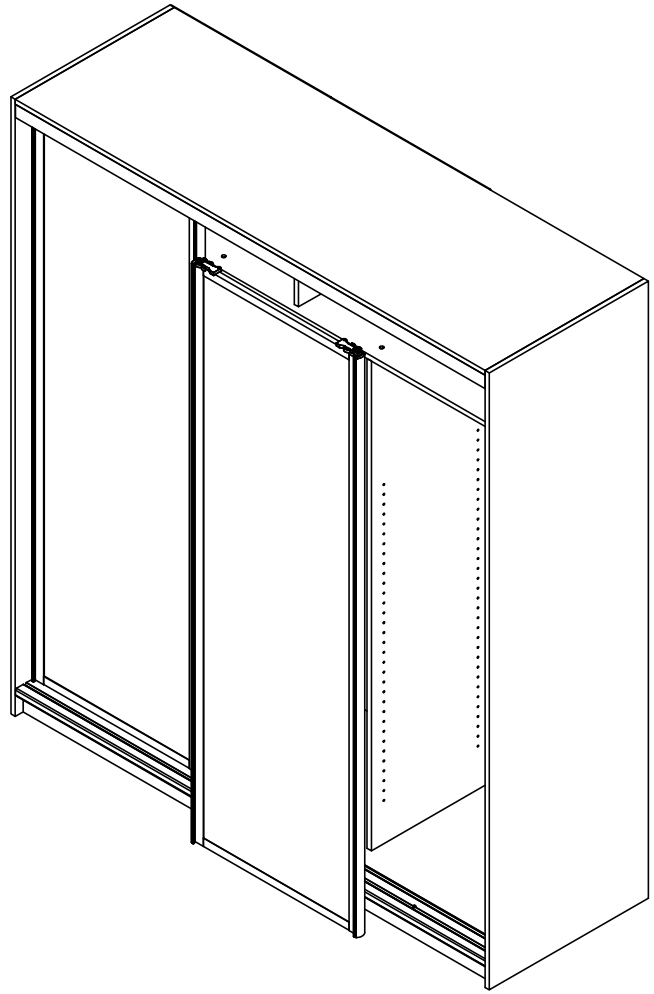
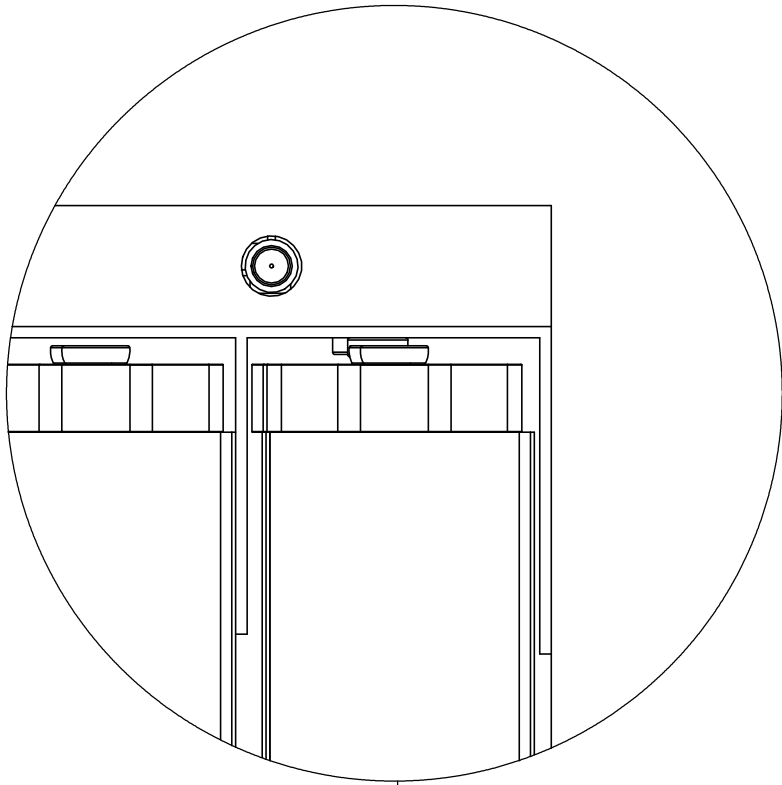
Ensure cupboard is square before nailing back panel.

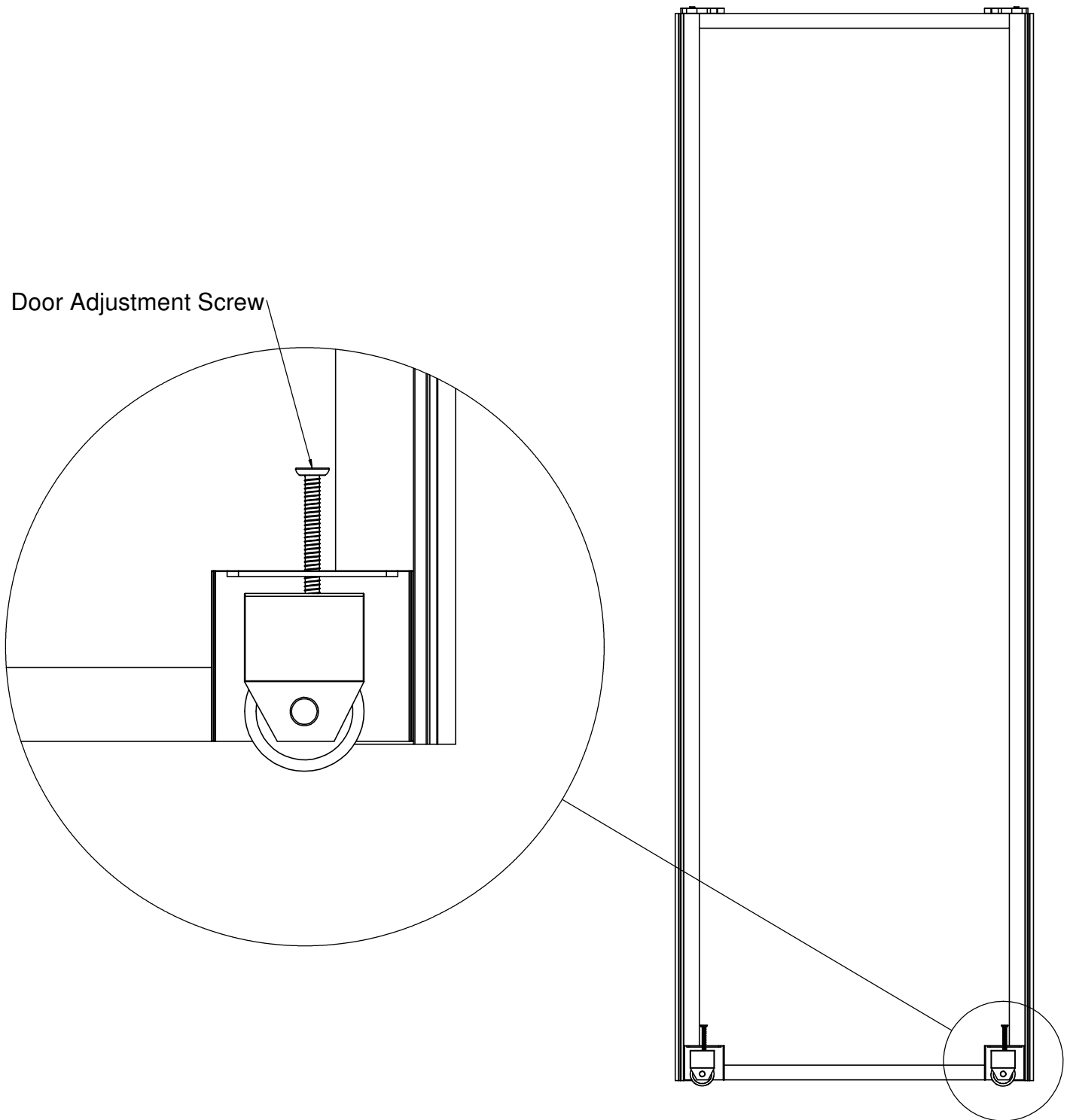












It is strongly recommended to secure the unit to the wall.

Bedford changes the lives of people with disability or disadvantage through employment, training and independent living programs.

We provide supported employment in diverse business areas and in the community through our job services program, CareerSystems.

We are a registered training organisation, offering accredited and life skills programs to people with diverse needs across South Australia including tailored case management through our dedicated youth services team.

By purchasing Bedford products, you are changing lives.