

AEG

L1815R
L1825R
L1830R-X5
L1840R
L1850R
L1860R
L1860R-X5
L1890R

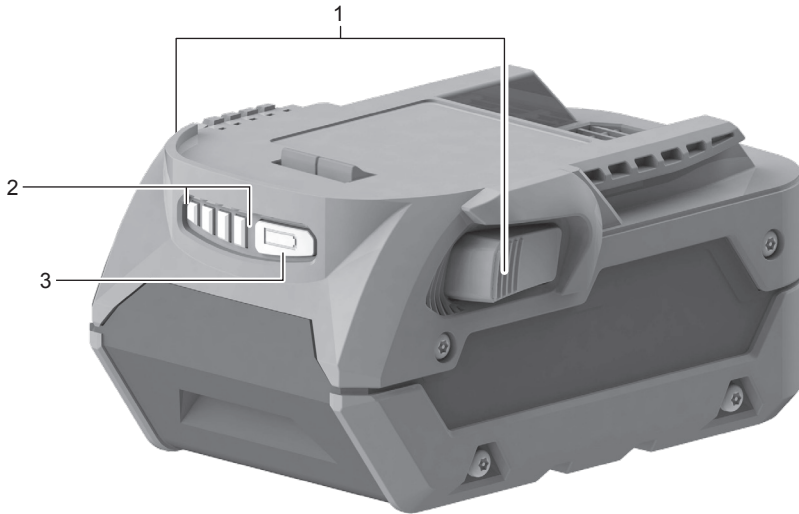
Original instructions

Important!

It is essential that you read the instructions in this manual before assembling, operating, and maintaining the product.

Subject to technical modification.

1. Latches
2. Fuel gauge
3. Fuel gauge button



COMPATIBLE BATTERY PACKS

Battery pack	Cell Type	DC Volts	Capacity	Cell No.
L1815R	Li-Ion	18	≤1.5Ah	5
L1825R	Li-Ion	18	≤2.5Ah	5
L1830R-X5	Li-Ion	18	≤3.0Ah	5
L1840R	Li-Ion	18	≤4.0Ah	2x5
L1850R	Li-Ion	18	≤5.0Ah	2x5
L1860R	Li-Ion	18	≤6.0Ah	2x5
L1860R-X5	Li-Ion	18	≤6.0Ah	2x5
L1890R	Li-Ion	18	≤9.0Ah	3x5

SAFETY INSTRUCTIONS

⚠ WARNING! To reduce the risk of fire, personal injury, and product damage due to a short circuit, never immerse your tool, battery pack or charger in fluid or allow a fluid to flow inside them. Corrosive or conductive fluids, such as seawater, certain industrial chemicals, and bleach or bleach-containing products, etc., can cause a short circuit.

The product is not intended for use by persons (including children) with reduced physical, sensory or mental capabilities, or lack of experience and knowledge, unless they have been given supervision or instruction concerning use of the product by a person responsible for their safety. Children should be supervised to ensure that they do not play with the product.

Please read and observe these instructions before using the product.

- When battery pack is not in use, keep it away from other metal objects such as paper clips, coins, keys, nails, screws or other small metal objects that can make a connection from one terminal

to another. Shorting the battery terminals together may cause sparks, burns or fire.

- Do not place battery tools or their batteries near fire or heat. This will reduce the risk of explosion and possible injury.
- Do not crush, drop or damage battery pack. Do not use a battery pack or charger that has been dropped or received a sharp blow. A damaged battery is subject to explosion. Properly dispose of a dropped or damaged battery immediately.
- Batteries can explode in the presence of a source of ignition, such as a pilot light. To reduce the risk of serious personal injury, never use any cordless product in the presence of open flame. An exploded battery can propel debris and chemicals. If exposed, flush with water immediately.
- Do not charge battery tool in a damp or wet location. Following this rule will reduce the risk of electric shock.
- For best results, charge the battery tool in a location where the

temperature is more than 10°C but less than 37°C. To reduce the risk of serious personal injury, do not store outside or in vehicles.

- Under extreme usage or temperature conditions, battery leakage may occur. If liquid comes in contact with the skin, wash immediately with soap and water, then neutralize with lemon juice or vinegar. If liquid gets into the eyes, flush them with clean water for at least 10 minutes, then seek immediate medical attention. Following this rule will reduce the risk of serious personal injury.

OPERATION

Use the battery pack for AEG 18V cordless products only.

LITHIUM-ION BATTERY PACKS

Lithium-ion batteries deliver fade free power for their entire run time. Lithium-ion tools will not gradually lose power due to decreasing battery charge. Instead, power from the battery pack will drop from full to zero once the full charge has been drained from the battery. Once this happens, recharging of the battery is required. It is not necessary to drain the battery pack completely before recharging.

BATTERY PROTECTION FEATURES

Battery packs are designed with features that monitor and protect the lithium-ion cells (active, standby, shut off and sleep modes) and maximize battery life.

The tool may stop during use to prevent overheating or overloading of the battery (active mode). In this case, release the trigger to reset and resume operation.

If this does not reactivate the tool, the battery is completely discharged (stand-by or sleep mode) and needs to be charged in a compatible charger.

The battery can be recharged in stand-by or sleep mode. It is not necessary to completely discharge the battery pack before recharging. AEG battery packs are equipped with an additional SHUT-OFF mode, minimizing self discharge of the battery while the battery is not in use. It will be reactivated automatically when used with a tool or by pressing the LED gauge

COLD WEATHER OPERATION

The lithium-ion battery pack can be used in temperatures down to -10°C. Put the battery pack on a tool and use the tool in light duty application. After a while, the battery pack will warm up and begin operating normally.

CHARGING THE BATTERY PACK

Battery packs are shipped in a low charge condition to prevent possible problems. Therefore, they should be charged prior to first use.

NOTE: If the charger does not charge the battery pack under normal circumstances, return both the battery pack and charger to the nearest authorised service centre for electrical check.

Charge the battery pack only with the recommended charger.

Battery pack	Compatible charger
L1815R	AL18G
L1825R	AL1218G
L1830R-X5	BL1218
L1840R	BLK1218
L1850R	BL18DP-X5
L1860R	BL18DP2-X5
L1860R-X5	BL18DPS
L1890R	BL1418

⚠ WARNING! Only charge in compatible AEG 18V chargers. Use of other chargers may result in fire, danger or serious personal injury.

- Press down on the battery pack to ensure contacts on the battery pack engage properly with the contacts in the charger.
- Connect the charger to the power supply. Make sure it is the required power supply.
- Make sure the latches on each side of the battery pack snap into place and the battery pack is secured in the charger before beginning operation.
- Place the battery pack in the charger aligning raised rib on the battery pack with the groove in the charger.
- The battery pack will become slightly warm to the touch while charging. This is normal and does not indicate a problem.

NOTE: Do not place the charger and battery pack in an area of extreme heat or cold. They will work best at normal room temperature.

- Place charger on hard surface not soft (carpet, etc.), when charging batteries.
- When batteries become fully charged, unplug the charger from power supply and remove the battery pack.
- To remove battery pack from the charger, depress the latches on each side of the battery pack.
- After normal usage, a minimum of 1 hour charging time is required to fully recharge the battery pack.

CHARGING A HOT BATTERY PACK

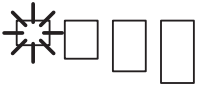
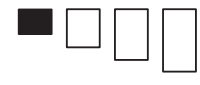



When using a tool continuously, the battery pack may become hot. A hot battery pack may be placed directly onto the charger port but charging will not begin until the battery temperature cools to within acceptable temperature range. When a hot battery pack is placed on the charger, the charger may indicate the pack is not ready to charge. Please refer to charger operator's manual. When the battery pack cools, the charger will automatically begin charging.

CHARGING A COOL BATTERY PACK

A cold battery pack may be placed directly onto the charger port but charging will not begin until the battery temperature warms to within acceptable temperature range. When a cold battery pack is placed on the charger, the charger may indicate the pack is not ready to charge. Please refer to charger operator's manual. When the battery pack warms, the charger will automatically begin charging.

CHARGE STATUS

To display the amount of charge left in the battery, press the Charge level indicator button.

Charge level indicator	Amount of charge left
	0-10%
	10-25%
	25-50%
	50-75%
	75-100%

STORAGE

For battery storage longer than 30 days:

- Store the battery pack where the temperature is below 27°C.
- Store battery packs in a "charged" condition (minimum of 30%-50% charged).
- To charge the battery pack after a six-month storage period, it is recommended to discharge the battery about 10% - 20% (by running it in a tool) and charge afterwards to maximize the battery lifetime.

MAINTENANCE

The batteries have been designed to provide maximum trouble-free life. However, like all batteries, they will eventually wear out. Do not disassemble battery pack and attempt to replace the batteries. Handling of these batteries, especially when wearing rings and jewellery, could result in serious burns.

To obtain the longest possible battery life, remove the battery pack from the charger once it is fully charged and ready for use.

Use only AEG accessories and AEG spare parts. Should components need to be replaced which have not been described, please contact one of our AEG service agents (see our list of guarantee/service addresses).

If needed, an exploded view of the tool can be ordered. Please state the Article No. as well as the machine type printed on the label and order the drawing at your local service agents or directly at:

Techtronic Industries Australia Pty Ltd

PO Box 1065
Mount Waverley VIC 3149
Tel. no. 1300 234 797
Australia

Techtronic Industries N.Z. Limited

PO Box 12-806
Penrose AUCKLAND 1642
Tel. no. 0800 234 797
New Zealand

SYMBOLS



Safety alert



Regulatory Compliance Mark (RCM). Product meets applicable regulatory requirements.



Please read the instructions carefully before starting the machine.



Recycle unwanted



Do not dispose of battery packs by burning them.



Never charge a damaged battery pack. Replace by a new one.



Li-Ion

Do not dispose of electric tools together with household waste material. Electric tools and electronic equipment that have reached the end of their life must be collected separately and returned to an environmentally compatible recycling facility.





AEG

www.aegpowertools.com.au
www.aegpowertools.co.nz

Techtronic Industries Australia Pty Ltd

31 Gilby Road, Mount Waverley, VIC 3149
Australia

Techtronic Industries N.Z. Limited

2 Landing Drive, Mangere
Auckland, 2022, New Zealand

961096464-02A