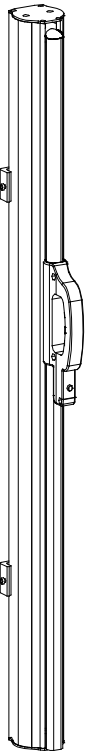
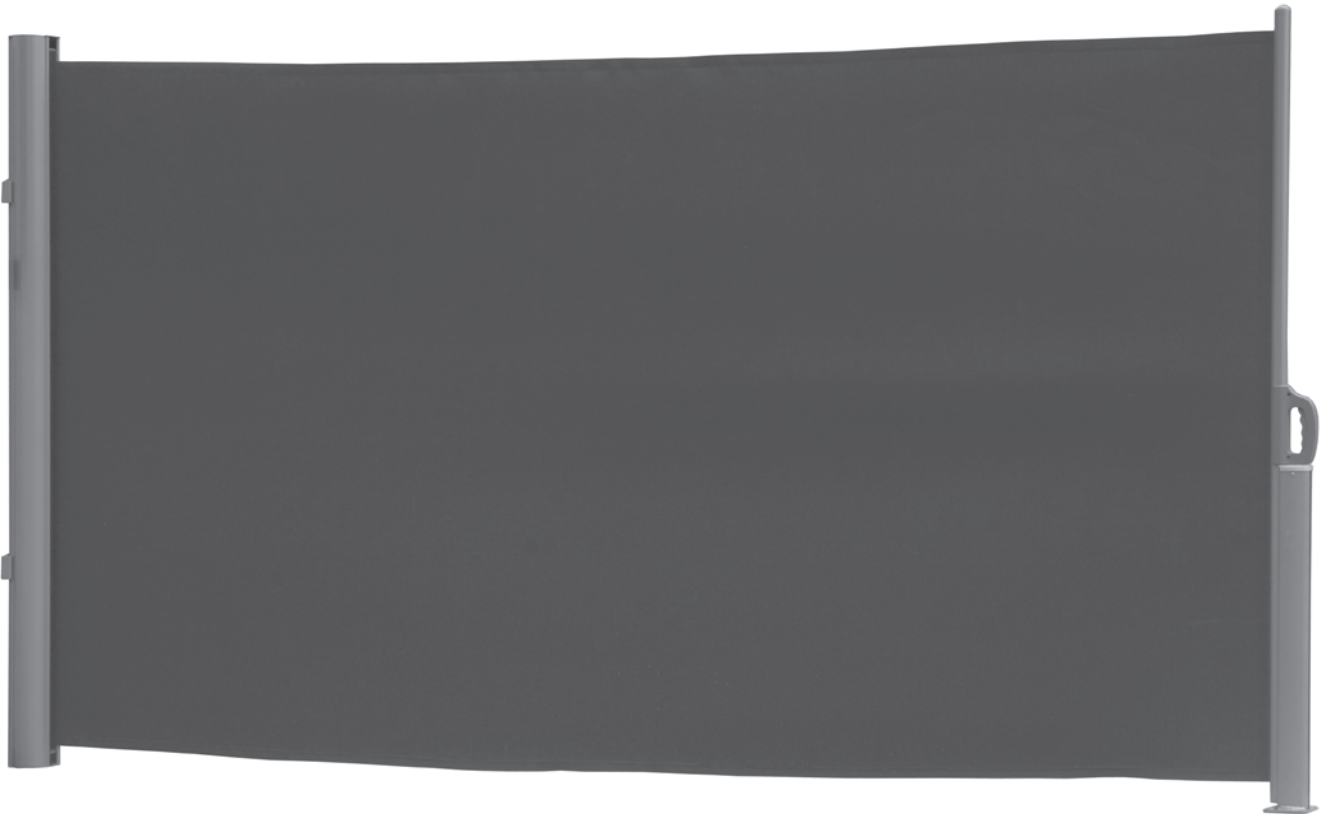


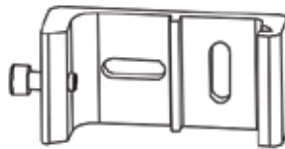
PatioE-Screen

RETRACTABLE SIDE AWNING

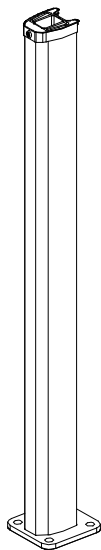
2.0mtr Height - Expands up to 2.0mtr Width



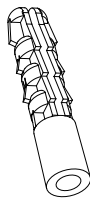
1 x Cassette



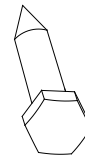
2 x Wall Bracket



1 x Anchor Post



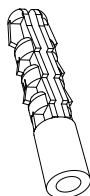
4 x Plastic Plugs



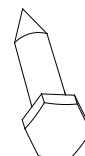
4 x M6 x 60mm Screws



4 x 6mm Washer



4 x Plastic Plugs



4 x M8 x 75mm Screws



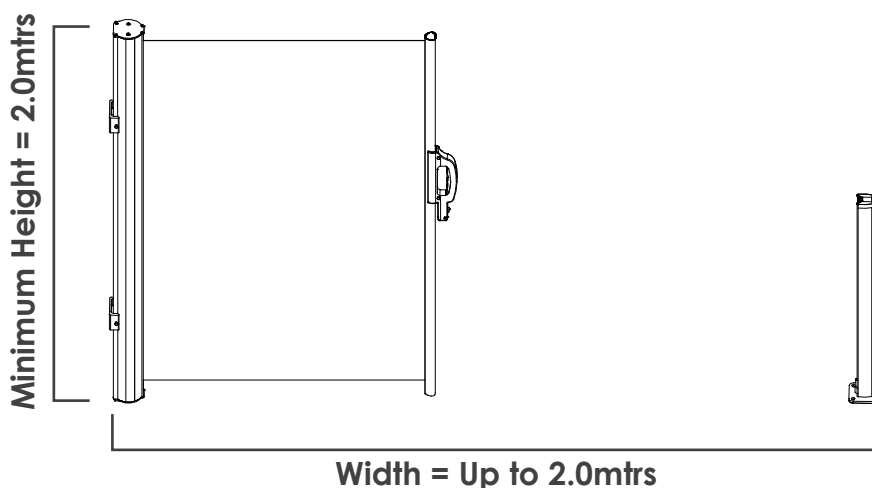
4 x 8mm Washer

Tools Required

- Metal Tape Measure
- 10mm Masonry Drill Bit
- Electric Drill (hammer action may be required)
- Phillips Head Screwdriver
- 5mm Allen Key

Step One

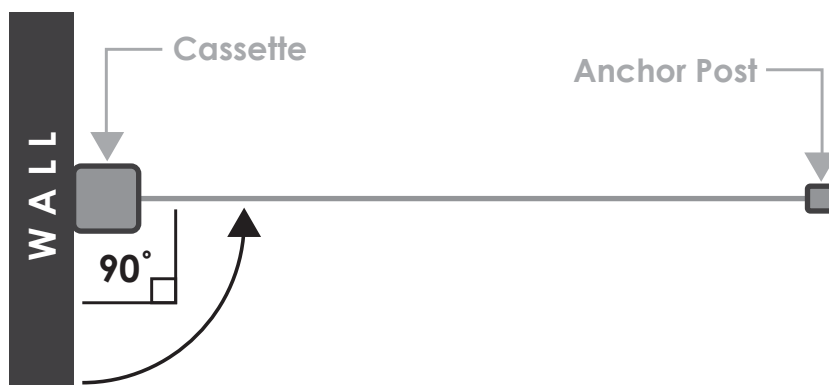
Measure area to ensure Patio Screen has enough height clearance (2.0mtrs) and span distance (Up to 2.0mtrs).



Step Two

Ensure the Patio Screen will operate at a right angle (90 degrees) from wall which cassette is installed.

Anchor Post must be installed directly in front of Cassette to ensure smooth product operation.



Step Three

Using brackets as a guide, measure and mark fixing positions. **Fig.1.**

If fixing Cassette to brick or masonry, use 10mm masonry drill bit and drill 60mm into wall. **Fig.2.**

If fixing into timber, pre-drill holes to suit and secure using high quality timber screws.

Fig.1.

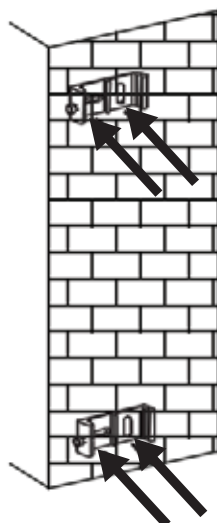
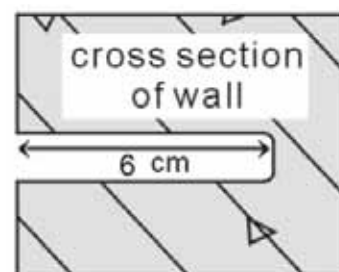


Fig.2.



Step Four

Insert Plastic Plugs into drilled holes **Fig.3.** and tap in securely using a hammer if required.

Secure brackets to wall using M6 x 60mm Screws shown in **Fig.4.** using 5mm Allen Key

Slot Cassette into brackets shown in **Fig.5.** and tighten grub screws to hold cassette in place.

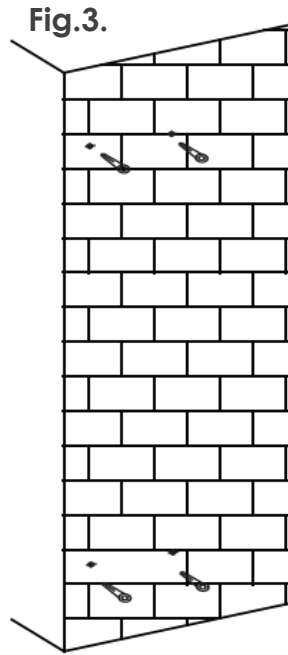


Fig.3.

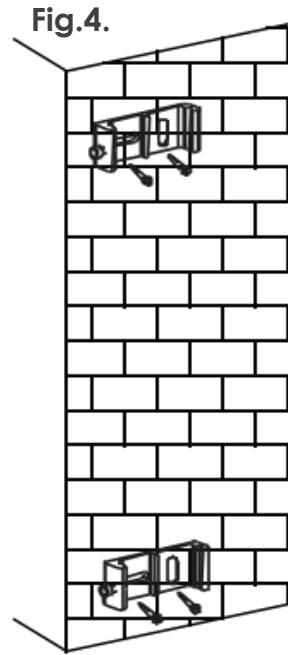


Fig.4.

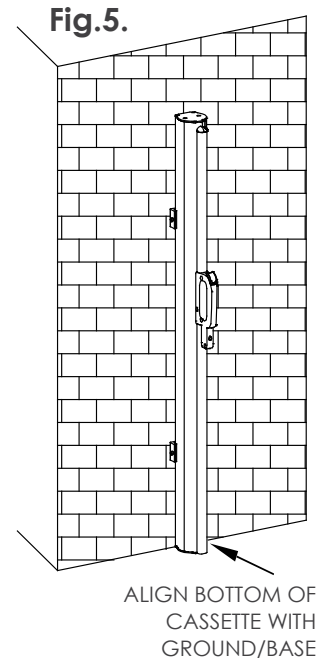


Fig.5.

Step Five

Using Anchor Post as a guide, measure and mark fixing positions. **Fig.6.**

If fixing Anchor Post to concrete base, use 10mm masonry drill bit and drill 90mm into wall. **Fig.7.**

If fixing into timber, pre-drill holes to suit and secure using high quality timber screws.

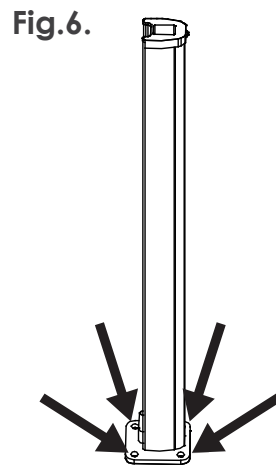
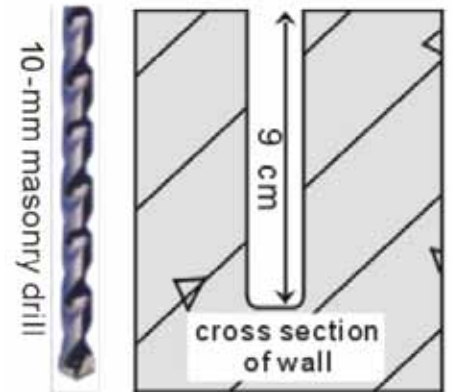


Fig.6.

Fig.7.



Step Six

Insert Plastic Plugs into drilled holes **Fig.8.** and tap in securely using a hammer if required.

Secure Anchor Post to base using M8 x 75mm Screws shown in **Fig.9.** using 5mm Allen Key.

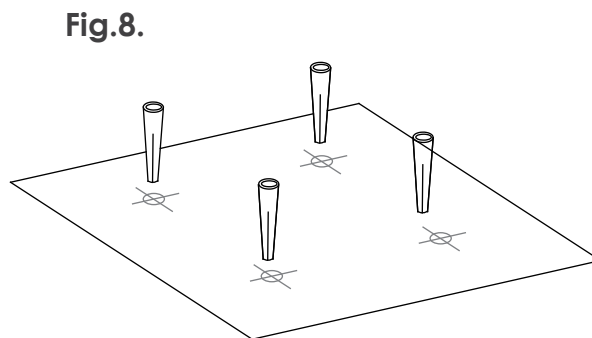
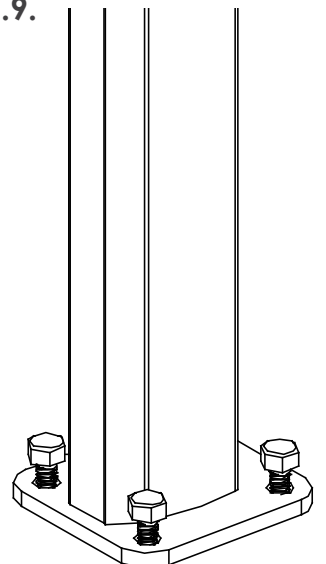


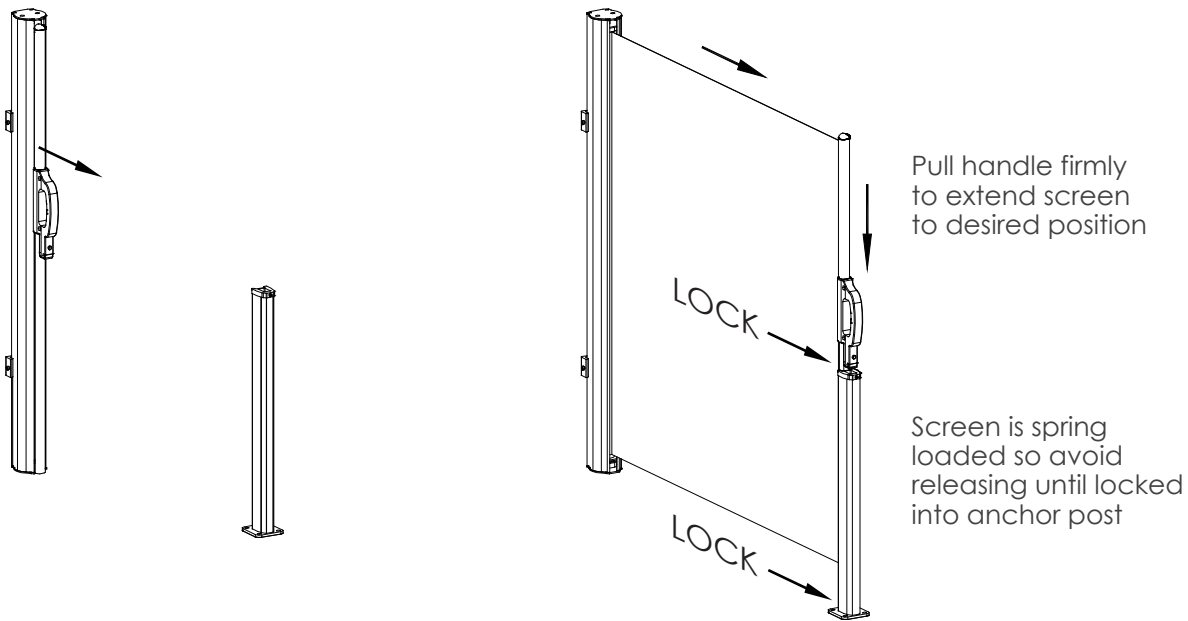
Fig.8.

Fig.9.

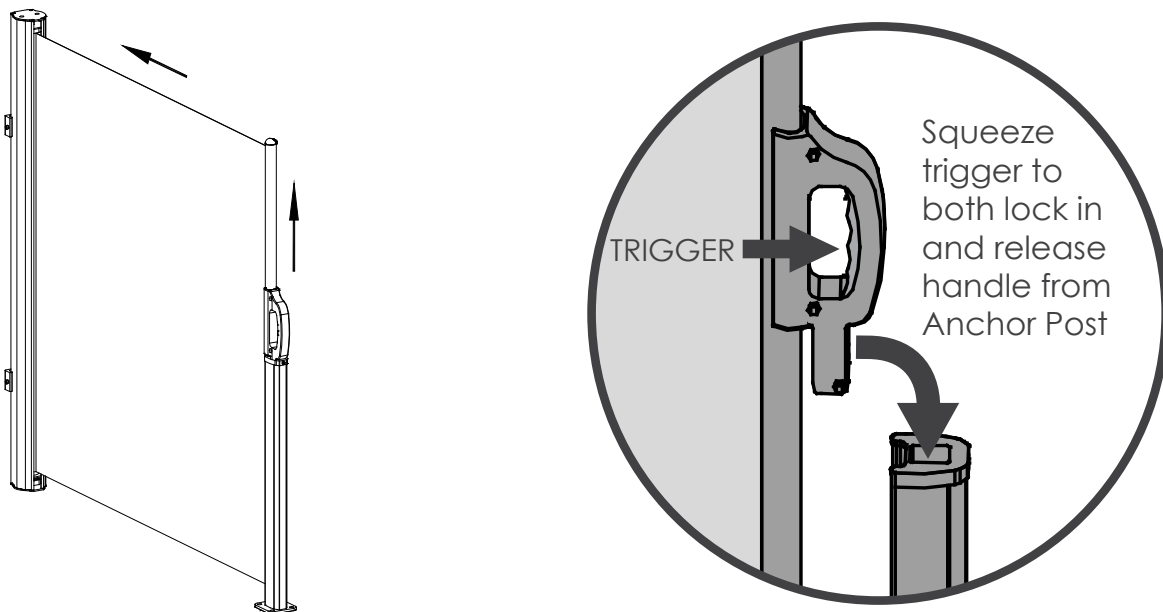


Operation Instructions

Keeping the Front Bar upright, hold the handle and pull the screen horizontally towards the Anchor Post. Press the handle Trigger and insert Front Bar over the base spindle and handle spindle the into the Anchor Post cavity. Once locked into place, release trigger.



To retract the screen, press the Trigger to release Handle from Anchor Post and lift. Keeping the fabric horizontal, slowly walk towards the Cassette to ensure safe retraction. **DO NOT LET GO OF HANDLE UNTIL FULLY RETRACTED.**



CAUTION: ALWAYS HAVE AWNING RETRACTED DURING HIGH WINDS.

Customer Service:

1300 155 355
info@pillarproducts.com.au

ABN 47 165 299 187

15 Silkwood Rise
Carrum Downs
Victoria, 3201
Australia

PILLÄR
STRENGTH IN SIMPLICITY

Proudly Australian Owned

PS1630