

4 DRAWER MOBILE CABINET

830H x 665W x 465Dmm



ITEM NO: GOS023

POWDER COATED

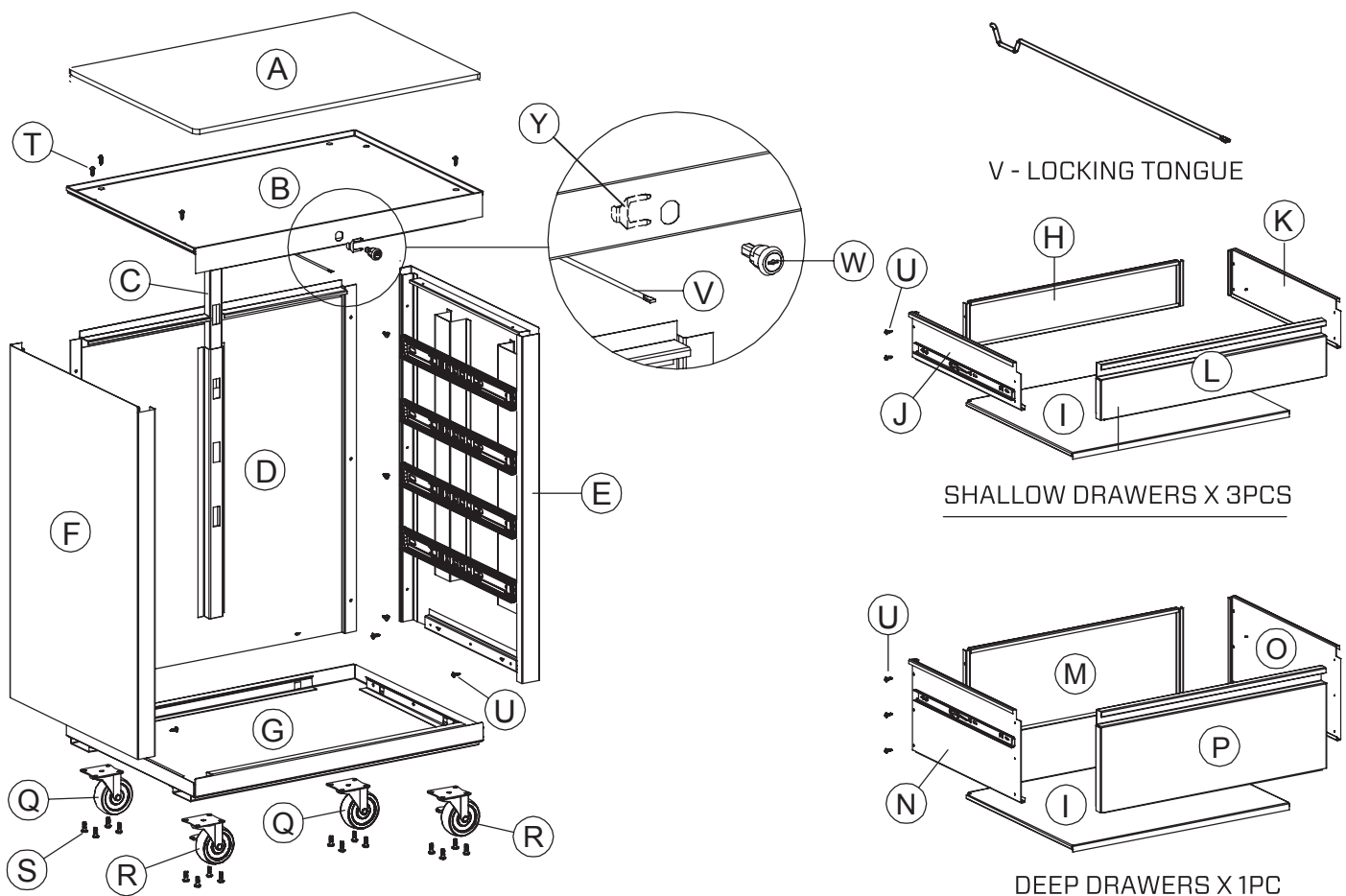
Very Important: Unpack the unit and confirm that you have all the parts listed. Assemble the unit on a solid, level surface. Avoid carpet. You will need the assistance of a second person during assembly. **You will need the following:** Rubber mallet and Phillips-head screwdriver.

SAFETY TIP:

When assembling or installing this product wear protective gloves and eyewear.

NO	PART NAME	PCS
(A)	MDF board	1PC
(B)	Top panel	1PC
(C)	Locking channel	1PC
(D)	Back panel	1PC
(E)	Right panel	1PC
(F)	Left panel	1PC
(G)	Bottom panel	1PC
(H)	Shallow drawer back panel	3PCS
(I)	Drawer base panel	4PCS
(J)	Shallow drawer left panel	3PCS
(K)	Shallow drawer right panel	3PCS
(L)	Shallow drawer front panel	3PCS
(M)	Deep drawer back panel	1PC

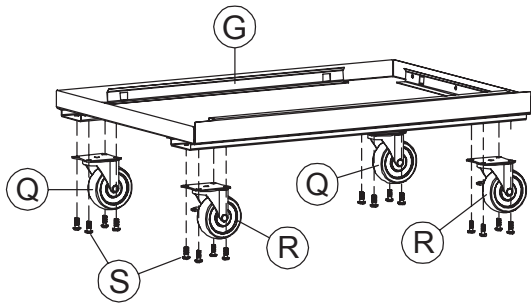
NO	PART NAME	PCS
(N)	Deep drawer left panel	1PC
(O)	Deep drawer right panel	1PC
(P)	Deep drawer front panel	1PC
(Q)	Castor	2PCS
(R)	Castor with brake	2PCS
(S)	M8 x 15mm panhead screws	16PCS
(T)	8g x 10mm countersunk screw	6PCS
(U)	8g x 10mm self tapping screw	84PCS
(V)	Locking tongue	1PC
(W)	Lock	1PC
(Y)	Lock positioning plate	1PC
(Z)	Non slip drawer liner	4PCS



SHALLOW DRAWERS X 3PCS

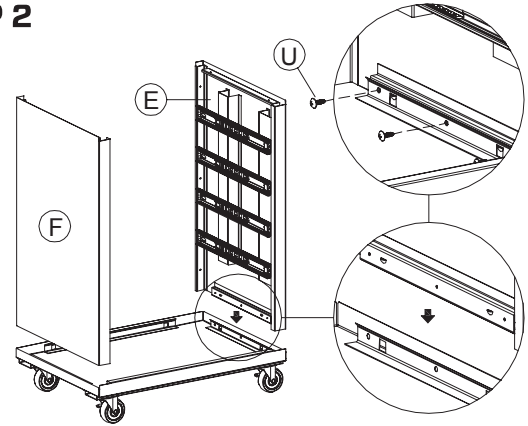
DEEP DRAWERS X 1PC

STEP 1



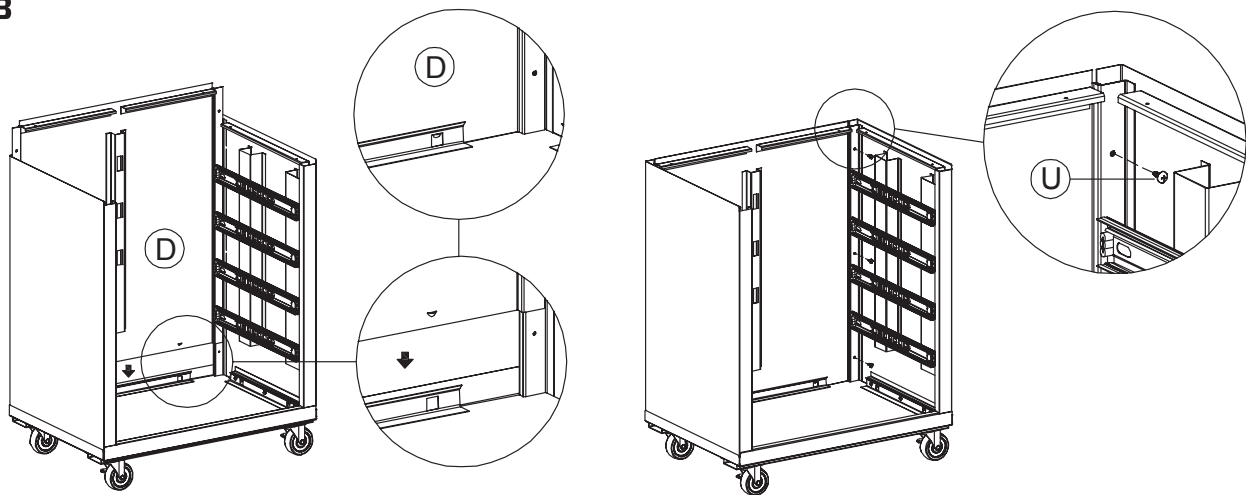
Place the bottom panel (G) upside down on the ground. Fix the castors with brakes (R) to one side of the panel with the provided M8 x 15mm panhead screws (S). Then fix the remaining castors to the other side with screws.

STEP 2



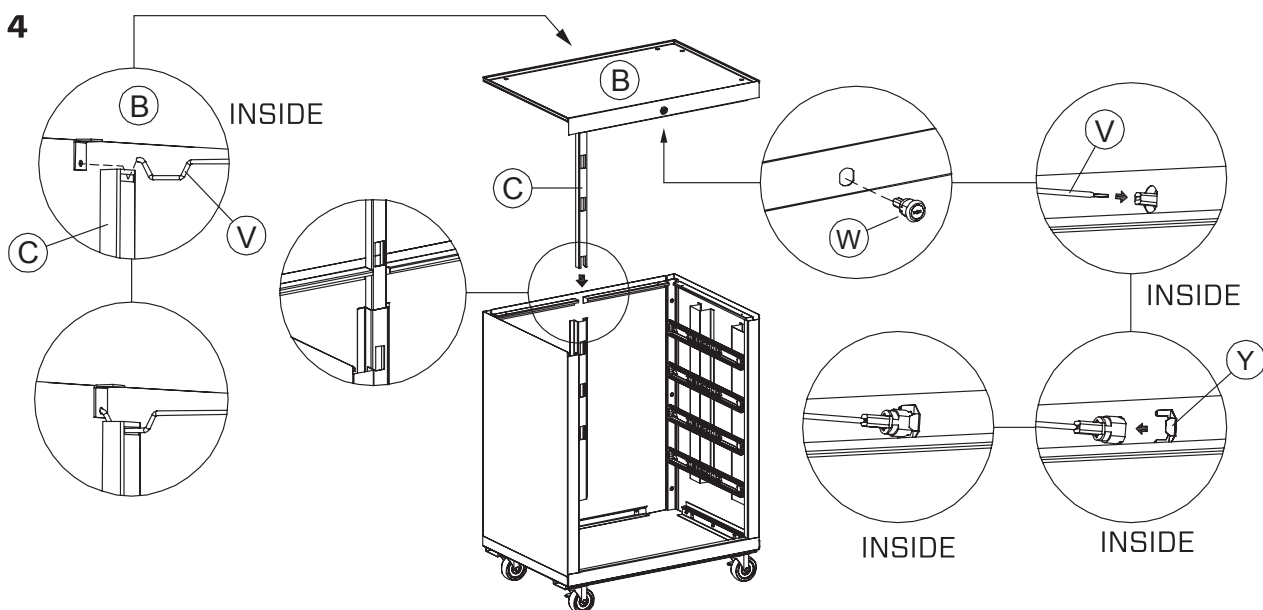
Flip the bottom panel over. Then fix the left (F) and right (E) panels to the base using the provided 8g x 10mm self tapping screws (U).

STEP 3



Once the left and right panels are in place fix the back panel (D) to the base before also fixing it to the left and right panels using the provided 8g x 10mm self tapping screws (U).

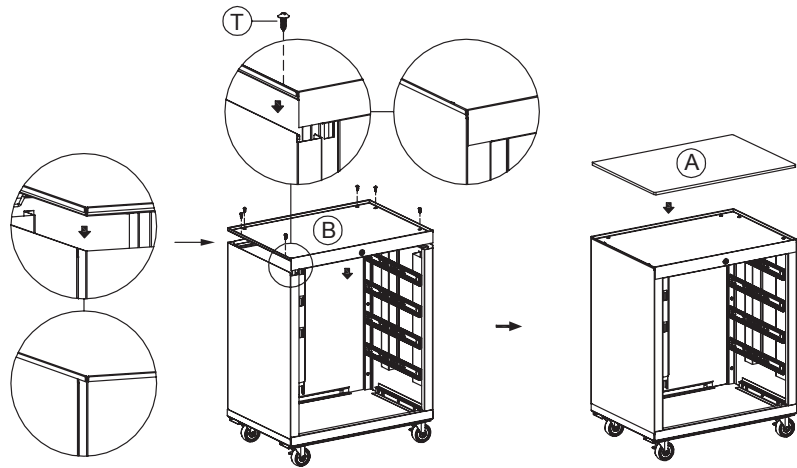
STEP 4



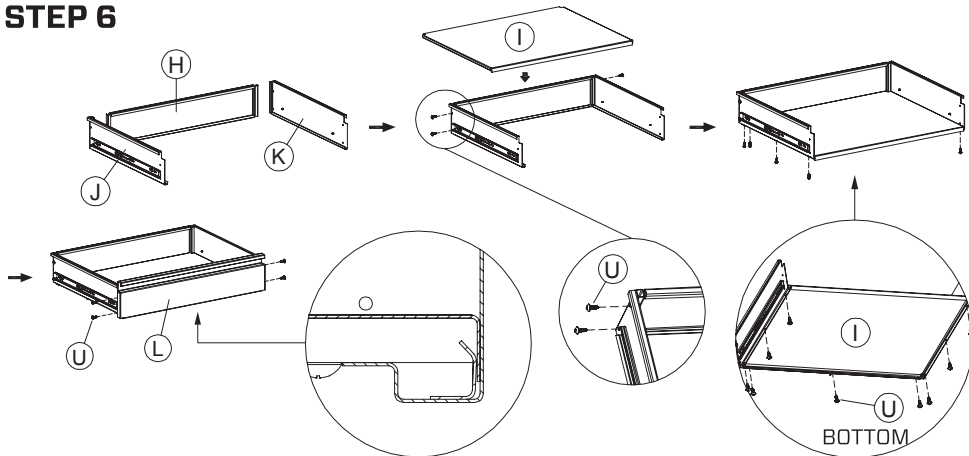
Connect the lock positioning plate (Y) and locking channel (C) to the top panel (B) then slide the top panel (B) down onto the cabinet frame ensuring the locking channel (C) slides smoothly into its slot in the back panel (D). Once the top panel (B) is sitting firmly on the frame, insert the lock (W) through the pre-cut hole and connect the locking tongue (V) and lock positioning plate (Y) to the lock (W).

STEP 5

Fix the top panel (B) to the frame using the provided 8g x 10mm countersunk screws (T). Then place the MDF board on top ensuring it fits flush inside the top panel (B).



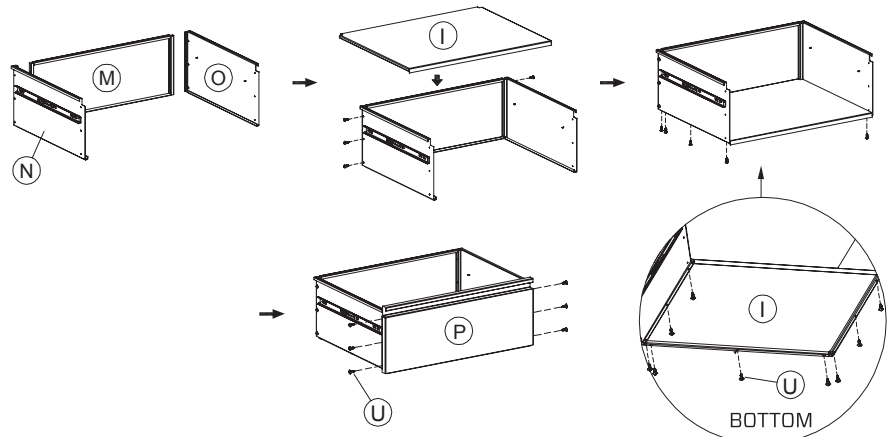
STEP 6



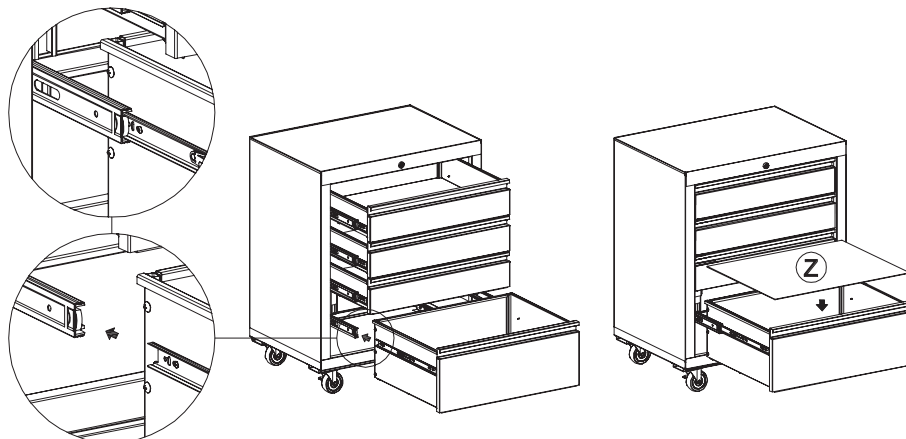
Now that frame is complete construct the three shallow drawers by fixing parts H, I, J, K and L together using the provided 8g x 10mm self tapping screws (U). Ensure the rails on parts J and K are positioned on the outside of each drawer.

STEP 7

Once all three shallow drawers are constructed (step 6), Assemble the deep drawer by fixing parts I, M, N, O and P together using the provided 8g x 10mm self tapping screws (U). Again, ensure the rails on parts N and O are positioned on the outside of the drawer.



STEP 8



After all four drawers are constructed slide them into place ensuring each drawer is positioned correctly onto the rails to avoid buckling. Then insert the provided non slip drawer liners (Z).

WARRANTY CONDITIONS

Any claim under this warranty must be made within 1 year of the date of purchase of the product. To make a claim under this warranty, take the product (with proof of purchase) to any Bunnings store (see www.bunnings.com.au for store locations). Pinnacle Hardware bears reasonable, direct expenses of claiming under the warranty. You may submit details and proof of purchase to our support centre for consideration. The warranty covers manufacturer defects in materials, workmanship and finish under normal use. This warranty is provided in addition to other rights and remedies you may have under law: Our goods come with guarantees that cannot be excluded under the Australian consumer law. You are entitled to a replacement or refund for a major failure and compensation for any other reasonably foreseeable loss or damage. You are also entitled to have the goods repaired or replaced if the goods fail to be of acceptable quality and the failure does not amount to a major failure. This warranty excludes damage resulting from product misuse or product neglect. The warranty covers domestic use only and does not apply to commercial applications. This warranty is given by Pinnacle Hardware, ABN 87 614 496 196, 28 Hudson Court, Keysborough Vic 3173, 1800 349 776, Email: support@pinnacle.net.au. New Zealand customers please contact HARCO (Harkness & Young Ltd), 09 27 64071, Email: sales@harknessyoung.co.nz. 'Pinnacle' is a trademark. © Pinnacle Hardware. Suitable for model number GOS023.