

# WALL MOUNTED CABINET

## 600H x 600W x 250Dmm

ITEM NO: GOS085

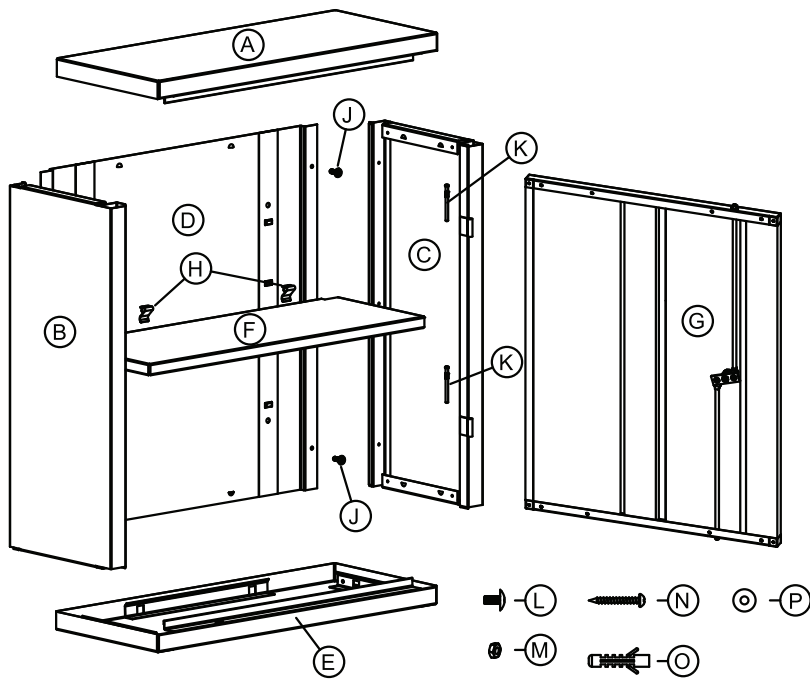
**POWDER  
COATED**  
MATTE BLACK

**50kg**  
TOTAL CAPACITY

**SAFETY TIP:**

When assembling or installing this product wear protective gloves and eyewear.

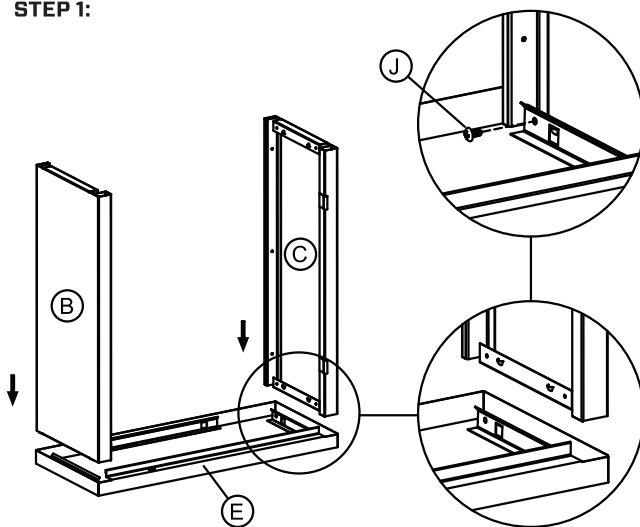
**Very Important:** Unpack the unit and confirm that you have all the parts listed. Assemble the unit on a solid, level surface. Avoid carpet. You will need the assistance of a second person during assembly. **Safety tip:** For added safety and support we recommend you fix unit to a wall. **You will need the following:** Rubber mallet, Phillips-head screwdriver and adjustable spanner.



NO	PART NAME	PCS
(A)	Top panel	1PC
(B)	Left side panel	1PC
(C)	Right side panel	1PC
(D)	Back panel	1PC
(E)	Bottom panel	1PC
(F)	Shelf	1PC
(G)	Door	1PC
(H)	Shelf support	4PCS
(J)	M8 x 10mm Self tapping screw	14PCS
(K)	Hinge pin	2PCS
(L)	M6 x 10mm Phillips head bolt	4PCS
(M)	M6 Hex nut	4PCS
(N)	M10 x 1-1/4" Self tapping screw	4PCS
(O)	Plug	4PCS
(P)	Washer	4PCS

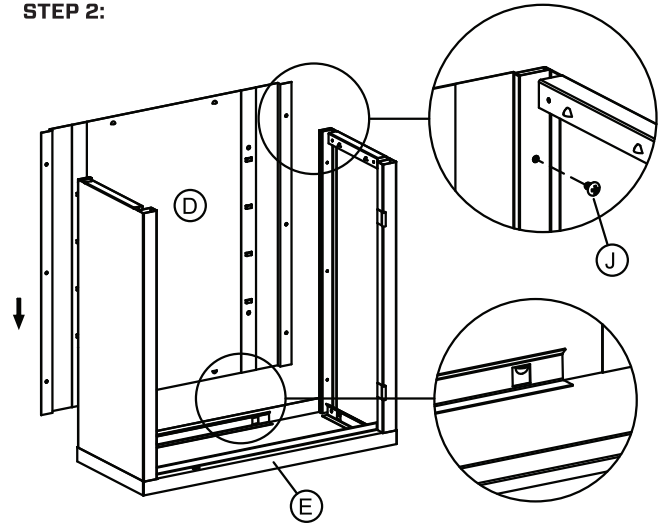
**WARNING:** This unit may have sharp edges, please use gloves when assembling.

**STEP 1:**

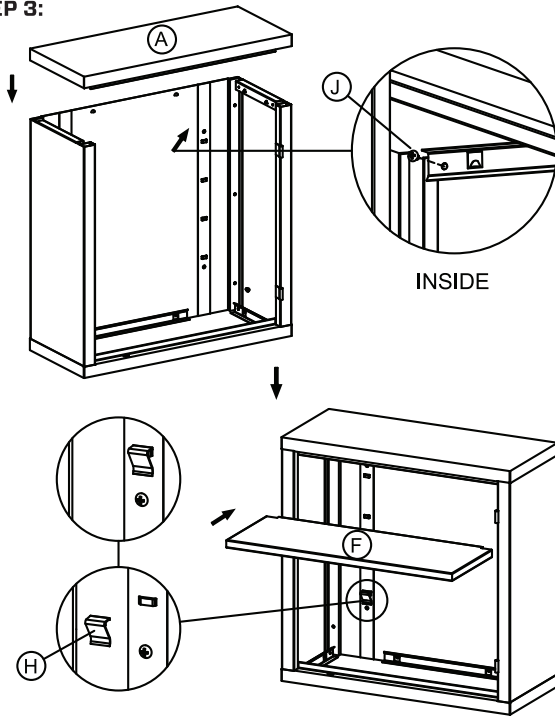


Slide left side panel (B) into bottom panel (E) making sure the tabs insert neatly into the slots on the bottom panel (E) as per the diagram above. Fix left side panel (B) using two of the provided self tapping screws (J) as per the diagram. Now repeat the same process for the right side panel (C).

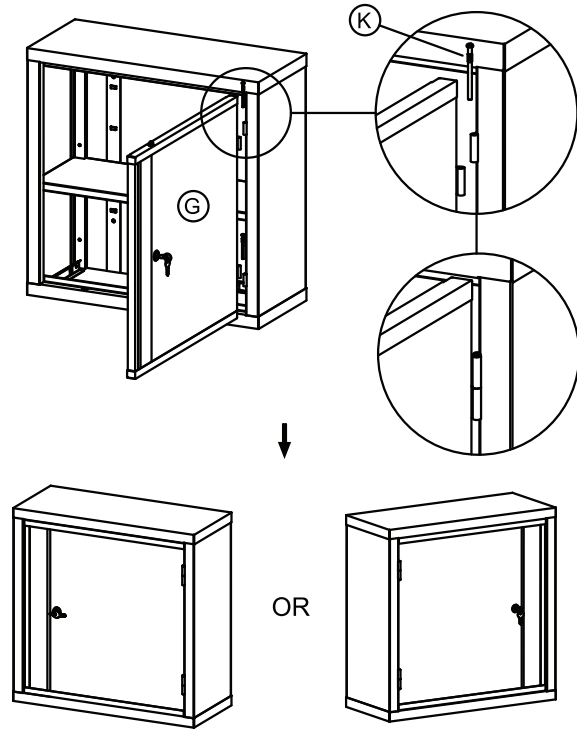
**STEP 2:**



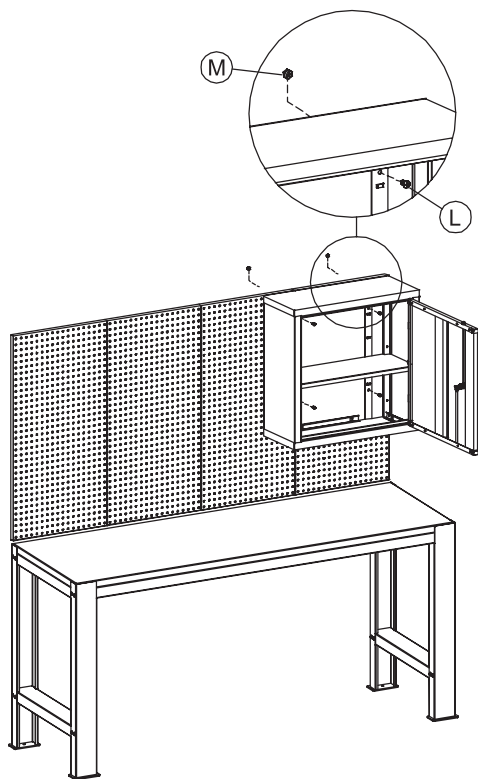
Once left and right side panels (B & C) are fixed to the bottom panel (E) slide the back panel (D) into the bottom panel (E) ensuring the tabs on the back panel (D) insert into the slots on the bottom panel (E). When back panel (D) is in place, fix to side panels (B & C) using the provided self tapping screws (J) as per diagram above.

**STEP 3:**

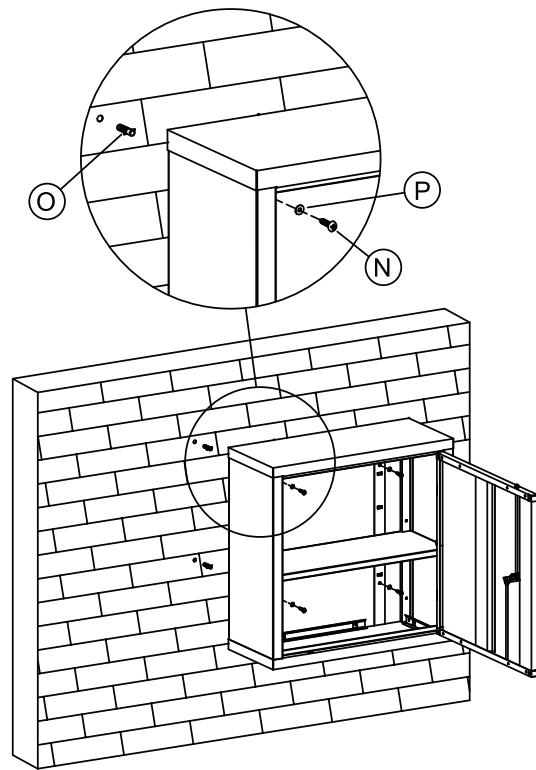
Place top panel (A) onto the pack panel (D) and side panels (B & C) and gently push down to engage the tabs into the slots on the back and side panels. Once tabs have been inserted, fix all panels together using the provided self tapping screws (J) as per diagram above. Insert the shelf supports (H) into the slots in all four corners at an even height and insert shelf (F).

**STEP 4:**

Install the door (G) by aligning door hinge slots with those on the right side panel (C) and insert the hinge pins (K).



This cabinet can be easily mounted onto Pinnacle Hardware's pegboard (Model number: GOS083) using the provided Phillips head bolts (L) and hex nuts (M) as shown in the diagram above.

**OR**

Alternatively, the cabinet can be mounted onto a wall. First drill four holes which align exactly with the holes on the back panel (D) for mounting the cabinet. Then insert the included plugs (O) into the drilled holes and use the long self tapping screws (N) and washers (P) to fix the cabinet to a wall.

**WARRANTY CONDITIONS:** Any claim under this warranty must be made within 1 year of the date of purchase of the product. To make a claim under this warranty, take the product (with proof of purchase) to any Bunnings store (see [www.bunnings.com.au](http://www.bunnings.com.au) for store locations). Pinnacle Hardware bears reasonable, direct expenses of claiming under the warranty. You may submit details and proof of purchase to our support center for consideration. The warranty covers manufacturer defects in materials, workmanship and finish under normal use. This warranty is provided in addition to other rights and remedies you may have under law. Our goods come with guarantees that cannot be excluded under the Australian consumer law or Consumer Guarantees Act 1993 (NZ). You are entitled to a replacement or refund for a major failure and compensation for any other reasonably foreseeable loss or damage. You are also entitled to have the goods repaired or replaced if the goods fail to be of acceptable quality and the failure does not amount to a major failure. This warranty excludes damage resulting from product misuse or product neglect, any modifications, additions or alterations to the product including the addition of extra shelves. Additions or modifications can compromise the structure and safety of the product. The warranty covers domestic use only and does not apply to commercial applications. This warranty is given by Pinnacle Hardware, ABN 87 614 496 196, 28 Hudson Court, Keysborough Vic 3179, 1800 349 776, Email: [support@pinnacle.net.au](mailto:support@pinnacle.net.au). New Zealand customers please contact HARCO (Harkness & Young Ltd), Email: [sales@harknessyoung.co.nz](mailto:sales@harknessyoung.co.nz). 'Pinnacle' is a trademark. © Pinnacle Hardware. Suitable for model number GOS085.