

# 4 DRAWER MOBILE UNIT

## 810H x 520W x 500Dmm

**ITEM NO: GOS087**

**POWDER  
COATED  
MATTE BLACK**

**Very Important:** Unpack the unit and confirm that you have all the parts listed. Assemble the unit on a solid, level surface. Avoid carpet. You will need the assistance of a second person during assembly.

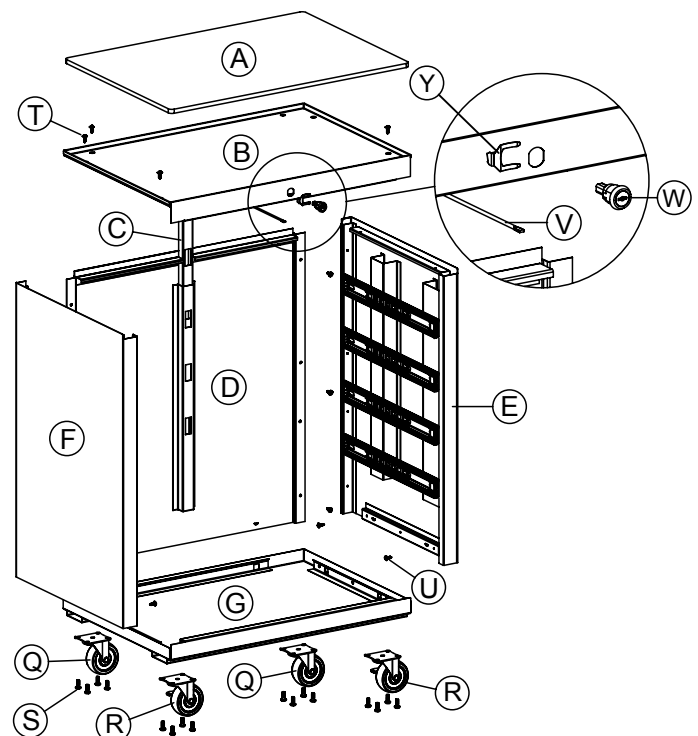
**You will need the following:** Phillips-head screwdriver and a rubber mallet or hammer.

**Please note:** This cabinet has a work-top weight capacity of 60KG and 30KG capacity per drawer.

**SAFETY TIP:**

When assembling or installing this product wear protective gloves and eyewear.

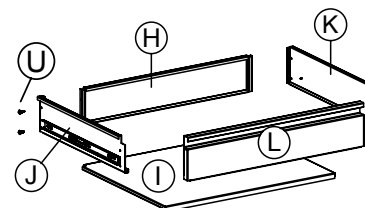
NO	PART NAME	PCS
(A)	Anti-slip top liner	1 PC
(B)	Top panel	1 PC
(C)	Locking channel	1 PC
(D)	Back panel	1 PC
(E)	Right panel	1 PC
(F)	Left panel	1 PC
(G)	Bottom panel	1 PC
(H)	Small drawer back panel	3 PCS
(I)	Drawer base panel	4 PCS
(J)	Small drawer left panel	3 PCS
(K)	Small drawer right panel	3 PCS
(L)	Small drawer front panel	3 PCS
(M)	Large drawer back panel	1 PC
(N)	Large drawer left panel	1 PC
(O)	Large drawer right panel	1 PC
(P)	Large drawer front panel	1 PC
(Q)	Castor	2 PCS
(R)	Castor with brake	2 PCS
(S)	M8 x 15mm Panhead hexbolt	16 PCS
(T)	M4 x 10mm Countersunk screw	6 PCS
(U)	M4 x 10mm Self tapping screw	84 PCS
(V)	Locking tongue	1 PC
(W)	Lock	1 PC
(X)	Safety covers for screws	8PCS
(Y)	Lock positioning plate	1 PC
(Z)	Non-slip drawer liner	4 PCS



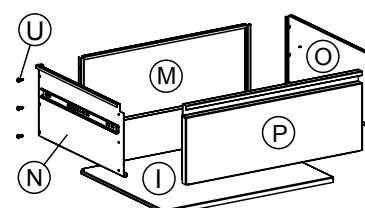
Warning: This unit may have sharp edges, please use gloves when assembling.



V - Locking tongue

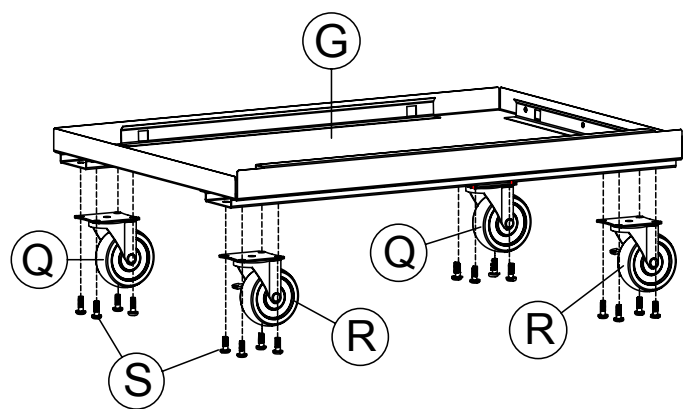


DRAWERS x 3 PCS

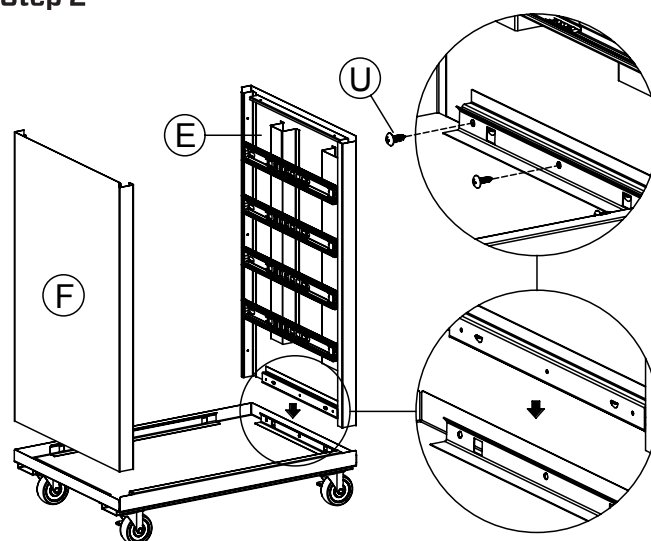


DRAWER x 1 PC

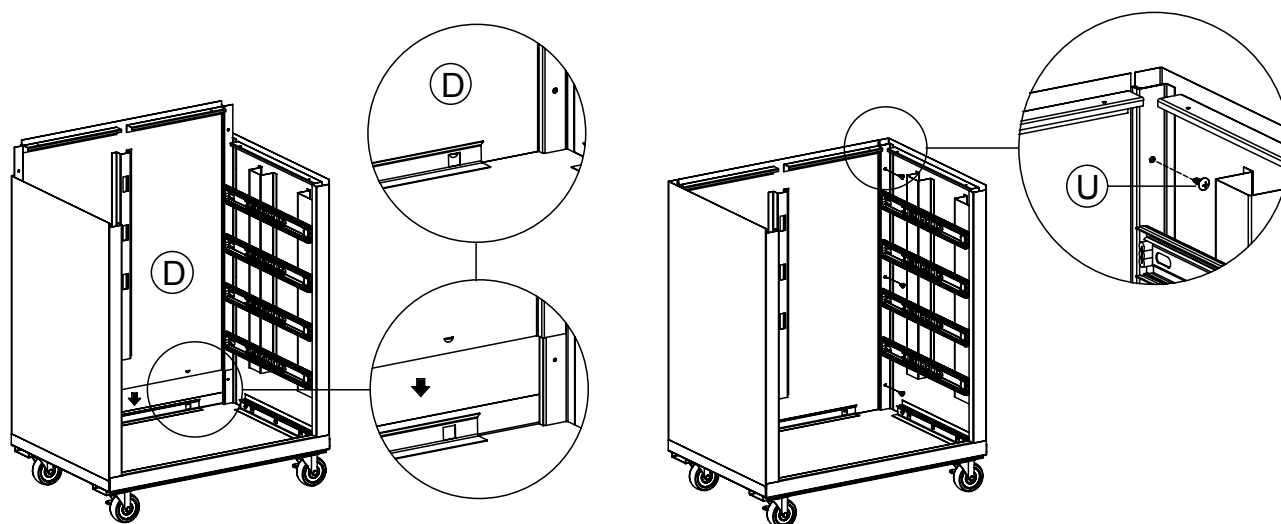
Step 1



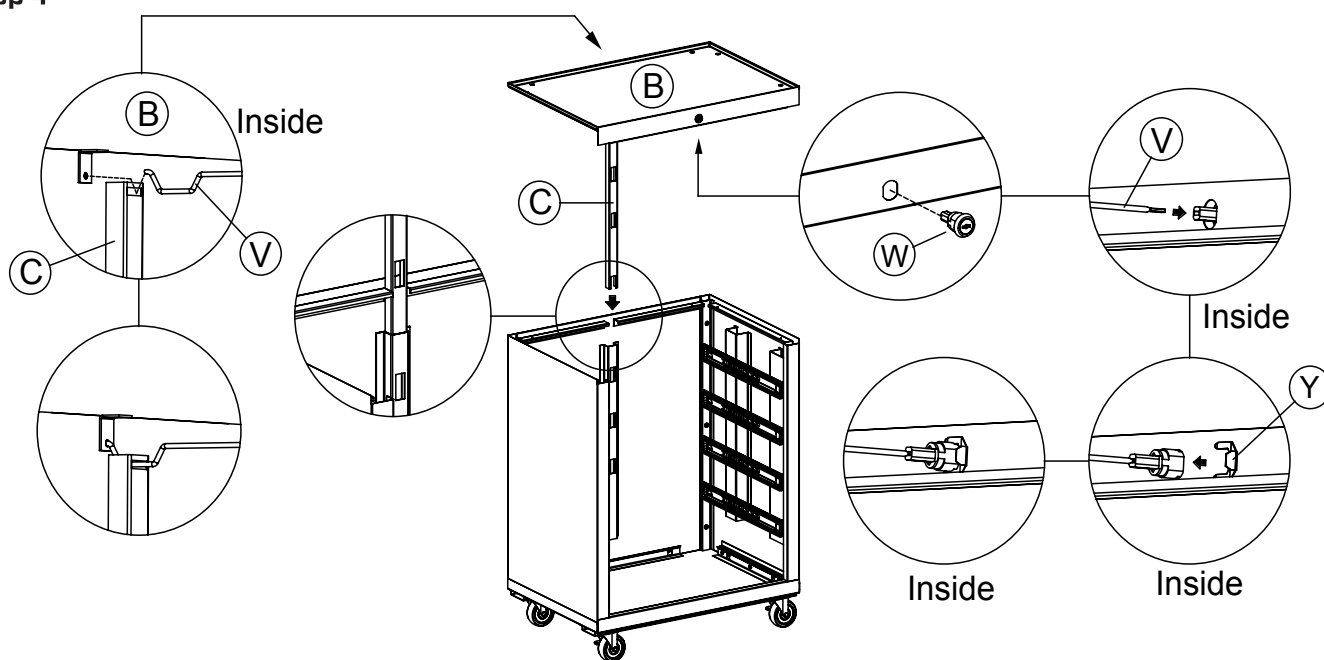
Step 2



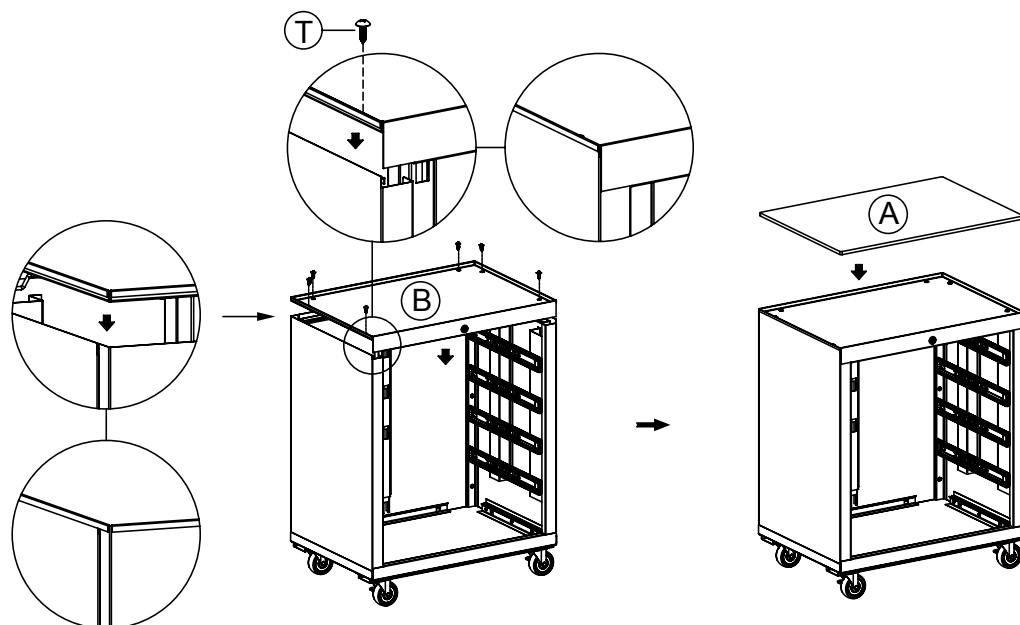
Step 3



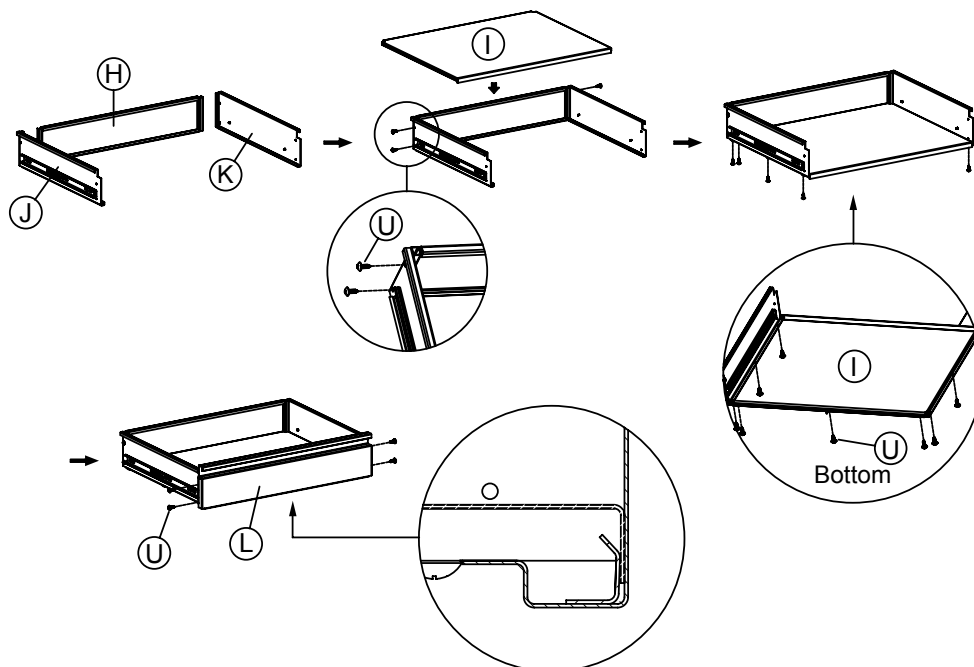
Step 4



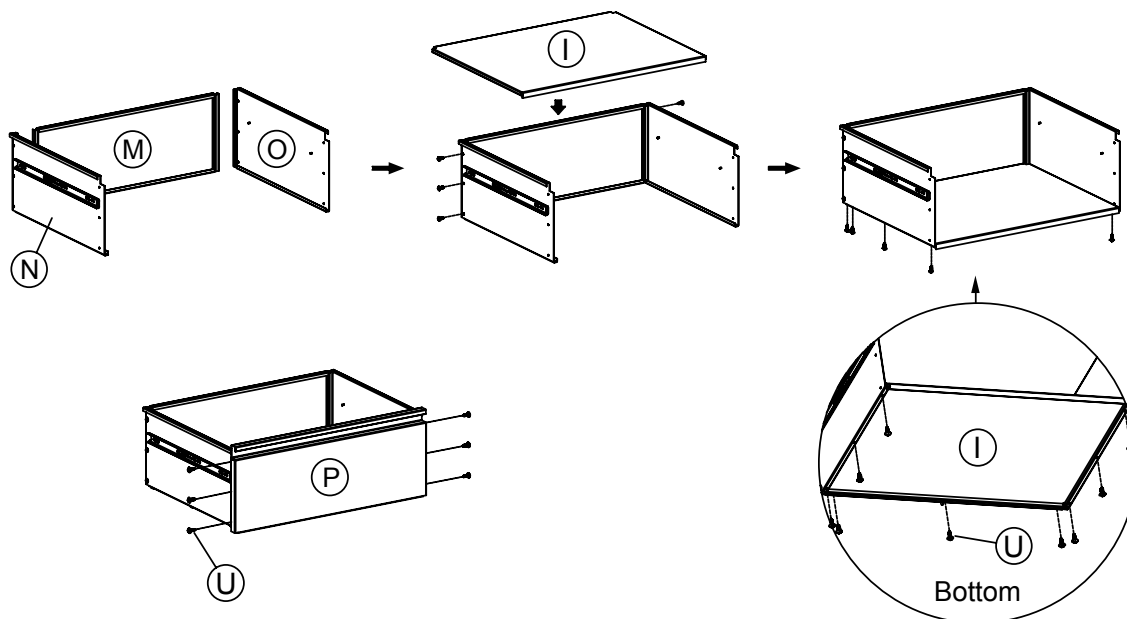
**Step 5**



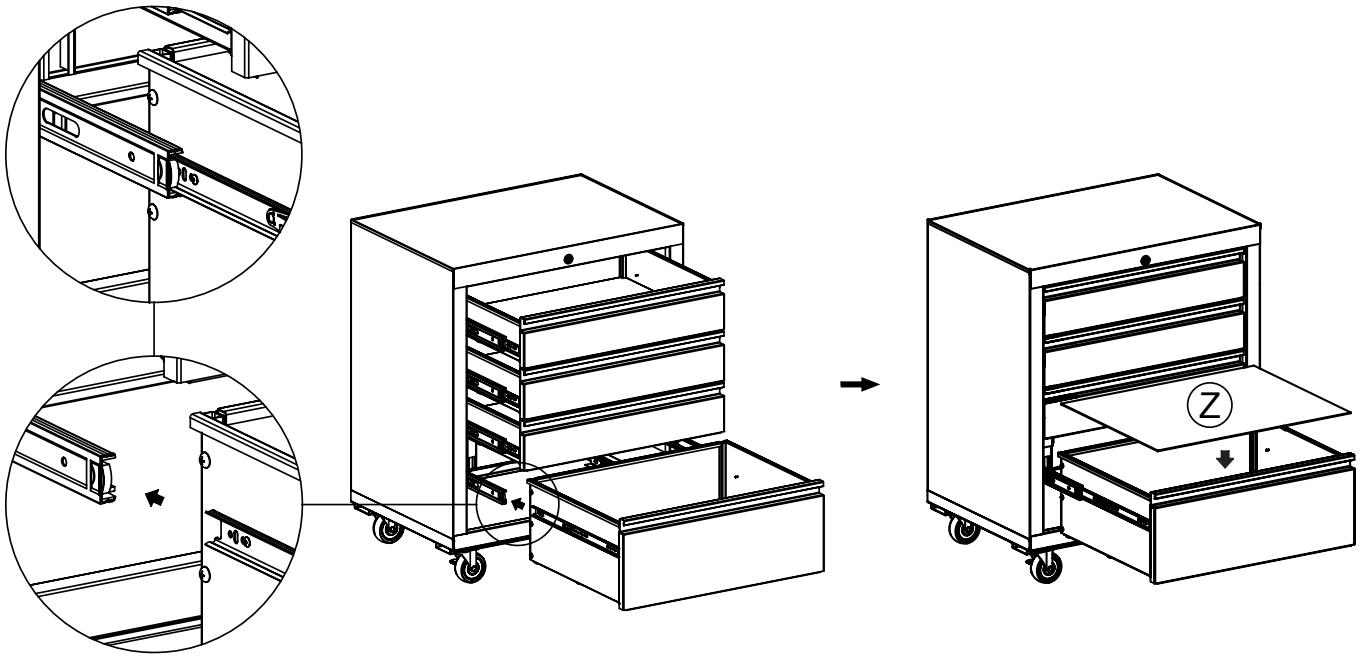
**Step 6**



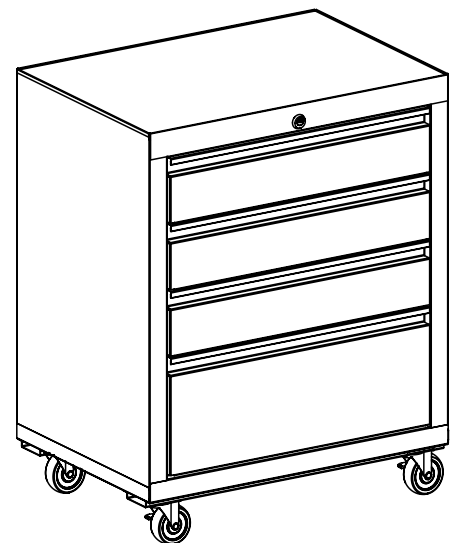
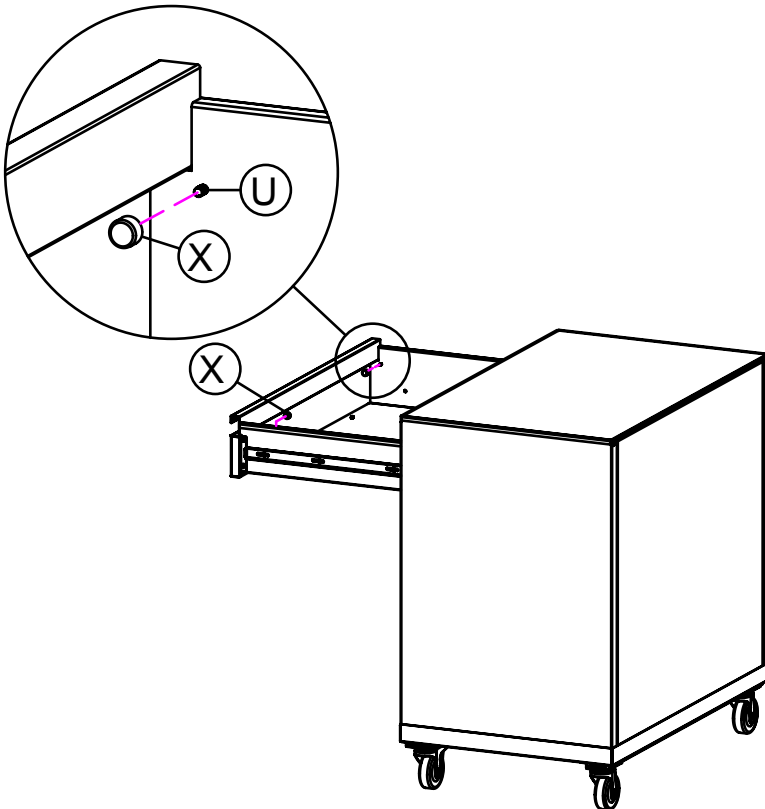
**Step 7**



### Step 8



### Step 9



#### WARRANTY CONDITIONS:

Any claim under this warranty must be made within 1 year of the date of purchase of the product. To make a claim under this warranty, take the product (with proof of purchase) to any Bunnings store (see [www.bunnings.com.au](http://www.bunnings.com.au) for store locations). Pinnacle Hardware bears reasonable, direct expenses of claiming under the warranty. You may submit details and proof of purchase to our support centre for consideration. The warranty covers manufacturer defects in materials, workmanship and finish under normal use. This warranty is provided in addition to other rights and remedies you may have under law. Our goods come with guarantees that cannot be excluded under the Australian consumer law or Consumer Guarantees Act 1993 (NZ). You are entitled to a replacement or refund for a major failure and compensation for any other reasonably foreseeable loss or damage. You are also entitled to have the goods repaired or replaced if the goods fail to be of acceptable quality and the failure does not amount to a major failure. This warranty excludes damage resulting from product misuse or product neglect, any modifications, additions or alterations to the product including the addition of extra shelves. Additions or modifications can compromise the structure and safety of the product. The warranty covers domestic use only and does not apply to commercial applications. This warranty is given by Pinnacle Hardware, ABN 87 614 496 196, 28 Hudson Court, Keysborough Vic 3173, 1800 349 776, Email: [support@pinnacle.net.au](mailto:support@pinnacle.net.au). New Zealand customers please contact HARCO (Harkness & Young Ltd), Email: [sales@harknessyoung.co.nz](mailto:sales@harknessyoung.co.nz). 'Pinnacle' is a trademark. © Pinnacle Hardware. Suitable for model number G0S087.