



// IMPORTANT //

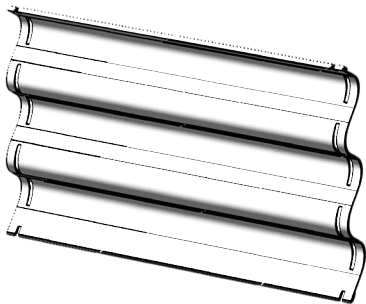


Before assembly and whilst unpacking, please be aware that there are sharp corners and edges that could cause injury and it is advisable to wear protective gloves when handling these items, sensible shoes are also recommended. Until such time as the SAFETY EDGE is fitted all necessary precautions need to be undertaken to avoid injury.

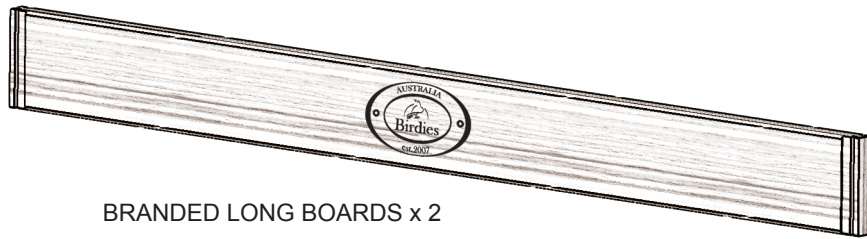
// CONFIGURATION //



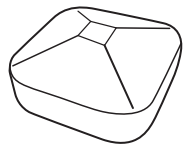
// KIT CONTENTS //



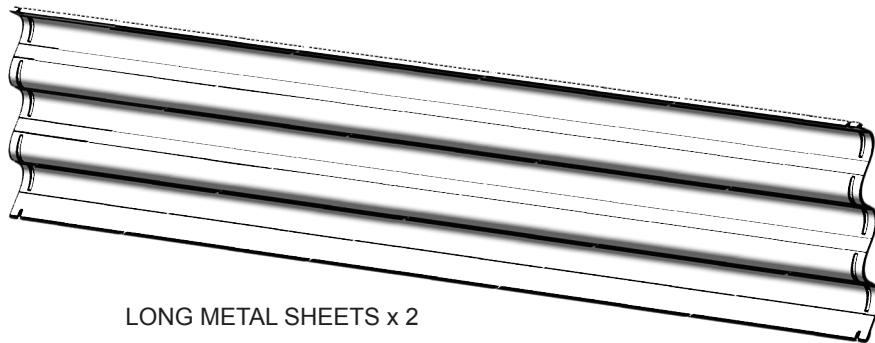
SHORT METAL SHEETS x 2



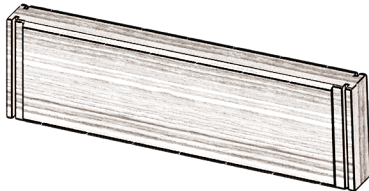
BRANDED LONG BOARDS x 2



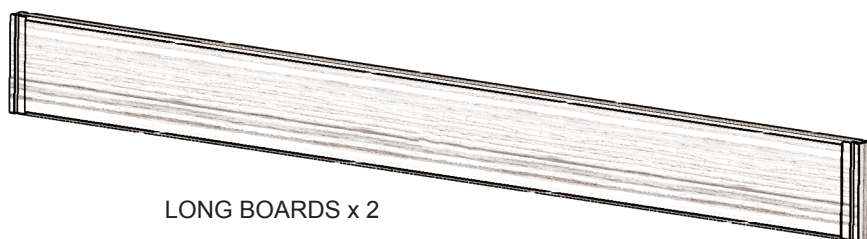
CAPS x 4



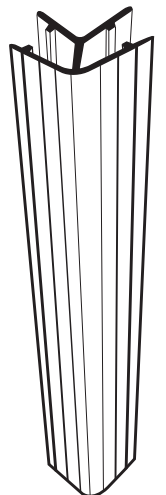
LONG METAL SHEETS x 2



SHORT BOARDS x 4

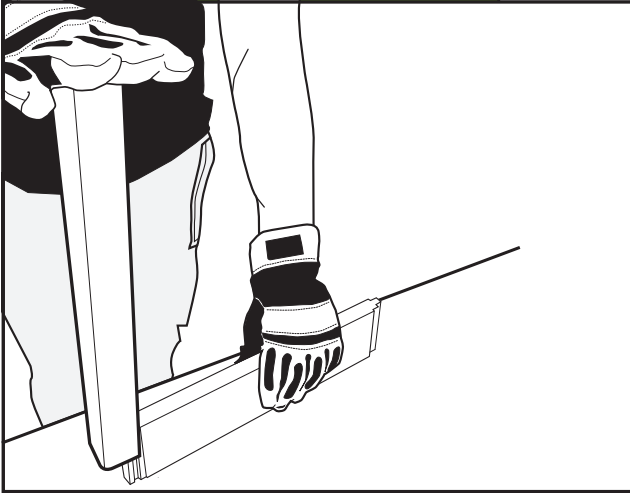


LONG BOARDS x 2



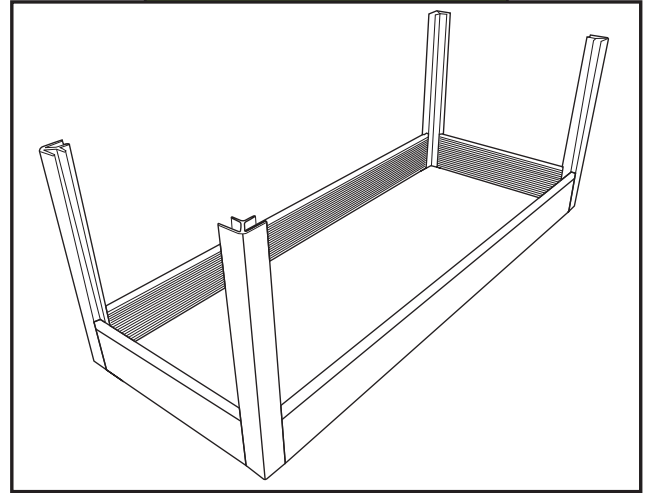
POSTS x 4

STAGE // 01



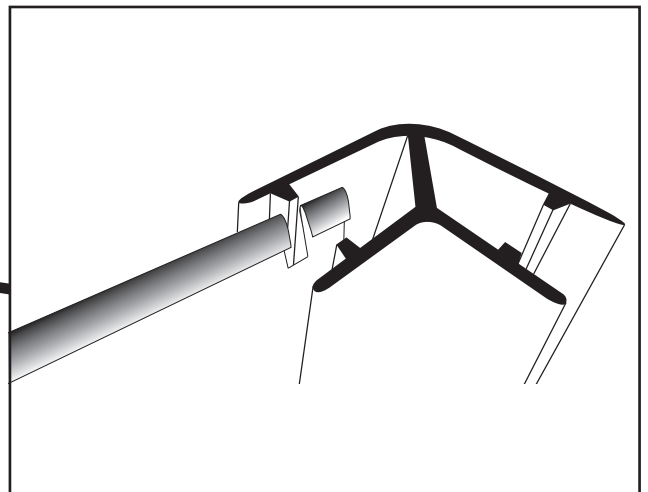
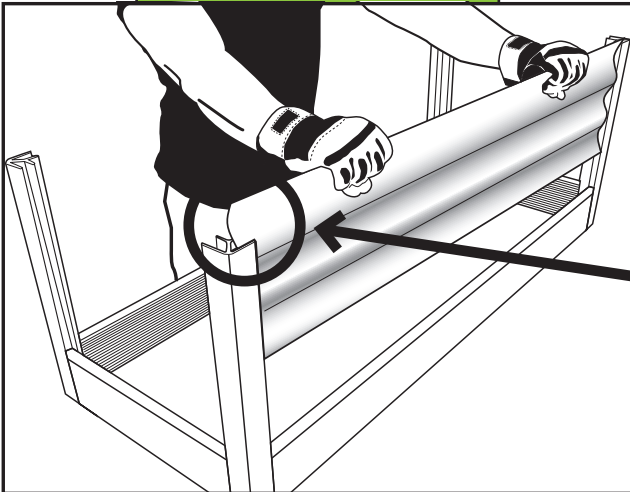
Push plastic corners onto both sides of the short boards ensuring the grooved (reeded) side of the timber will be on the inside of the planter.

STAGE // 02



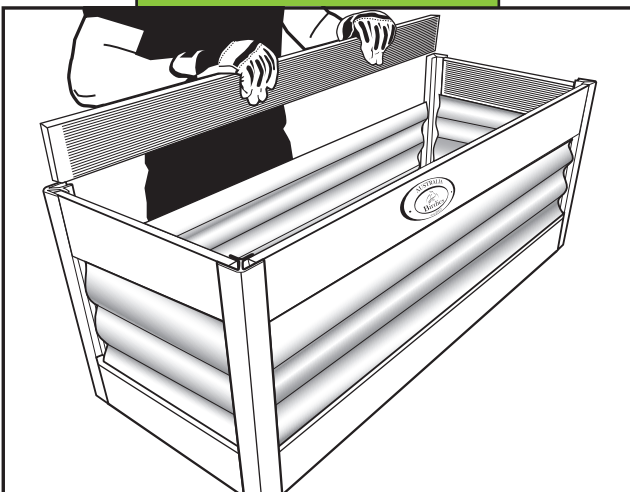
Push corners down onto the long boards ensuring the reeded timber is on the inside.

STAGE // 03



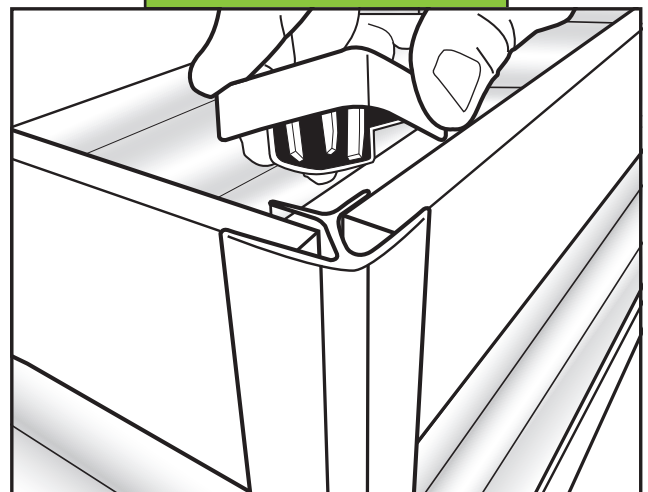
Ensuring the rolled steel safety edge is facing into the planter (**AS ABOVE**) slide the sheets into the grooves of the post pushing down with equal force.

STAGE // 04



Slide in remaining boards ensuring the birdies branded long boards are located in the top row.

STAGE // 05



Place caps on tops of posts