

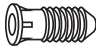

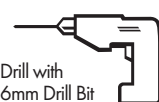





PARTS LIST

- 1x 
- 3x  35mm Screw
- 3x  Plaster Anchor

TOOLS REQUIRED

-  Tape Measure
-  Drill with 6mm Drill Bit
-  #2 Phillips Head Screw Driver
-  Spirit Level
-  Pencil

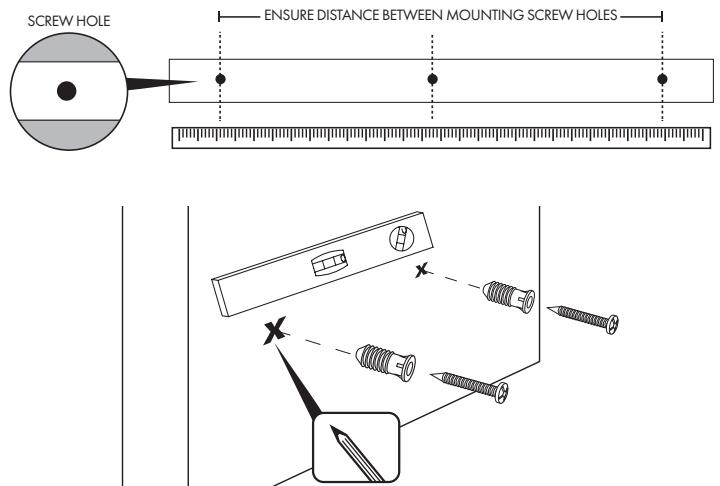
MAX WEIGHT



Step 1

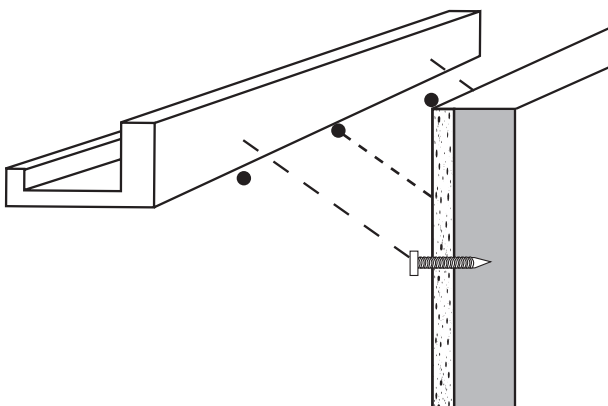
POSITIONING MOUNTING SCREWS

1. Measure the distance between the center of the mounting screw holes. This will be the distance between the mounting screws on your wall.
2. With this measurement, take a pencil and spirit level then mark out the position where the two screws will be in your desired location.
3. Drill pilot holes with your 6mm drill bit at the points marked on your wall.
4. Insert Plaster Anchors into these holes, then screw in provided Screws into Plaster Anchors. The head of the screws should protrude enough so the slots on the rear of the shelf can be hooked over the top.



Step 2

HANGING PHOTO SHELF



Step 3

ADD STICKERS OVER SCREW HOLES

