

**8. VAXCARE Service & Help:**  
**AUSTRALIA 1300 361 505**  
**NEW ZEALAND 0800 800 900**

If you have any queries or concerns about using your Vax, call VAXCARE. Please make a note of the part number or model number of the appliance before calling.

(Aust only: Mon-Fri. 8:30am - 5:30pm. EST)  
Calls are charged at the local rate.

An answerphone is available outside of these hours. We will return your call the next working day.

There are over 300 approved Vax Service Agents in Australia and New Zealand. For the nearest Service Agent, please refer to your Vax warranty or call VAXCARE or visit [www.vax.com.au](http://www.vax.com.au)

**9. Technical Specification**

Voltage	220-240V~50Hz
Wattage:	1400W Model VCC-05 1500W Model VCC-07
Capacity:	6 litres max Model VCC-05 8 litres max Model VCC-07
Filters:	Pre-motor filter VCC-05 only HEPA Model VCC-07 only
Cord length:	12 metres
Weight:	7.2kg Model VCC-05 8.5kg Model VCC-07

**Subject to technical change without notice.**

**10. Troubleshooting**

**WARNING:** To reduce the risk of injury, unplug the vacuum cleaner before servicing.

**PROBLEM: Vacuum cleaner won't run**

**Cause:** Not properly plugged into electrical outlet.

**Solution:** Plug unit in firmly.

**Cause:** Vacuum cleaner not turned on.

**Solution:** Press on/off button.

**Cause:** No electricity in the electrical outlet.

**Solution:** Check fuse or breaker.

**Cause:** Blown fuse/tripped breaker.

**Solution:** Reset circuit breaker or replace fuse.

**Cause:** Motor thermostat has tripped.

**Solution:** Switch off and unplug the vacuum cleaner. Leave for one (1) hour. See page 2.

**PROBLEM: Cleaner won't pick up/loss of suction**

**Cause:** Dust bag not installed correctly.

**Solution:** Review dust bag removal and replacement.

**Cause:** Dust bag full or blocked.

**Solution:** Replace dust bag. Empty/clean/replace cloth bag

**Cause:** Clogged filter.

**Solution:** Remove/replace with new filter VCC-05. Remove wash/replace HEPA filter VCC-07.

**Cause:** Blockage in hose.

**Solution:** Disconnect hose, remove the obstruction then re-fit.

**PROBLEM: Accessories won't pick up**

**Cause:** Accessories are not attached correctly.

**Solution:** Refer to page 5 for fitting information.

**PROBLEM: Dust escaping from the vacuum cleaner**

**Cause:** Dust bag full.

**Solution:** Dispose of paper dust bag, replace with a new one or empty/clean/replace cloth bag.

**Cause:** Dust bag not installed correctly.

**Solution:** Review dust bag removal and replacement.

**Cause:** Hose is not installed correctly.

**Solution:** Review hose installation.

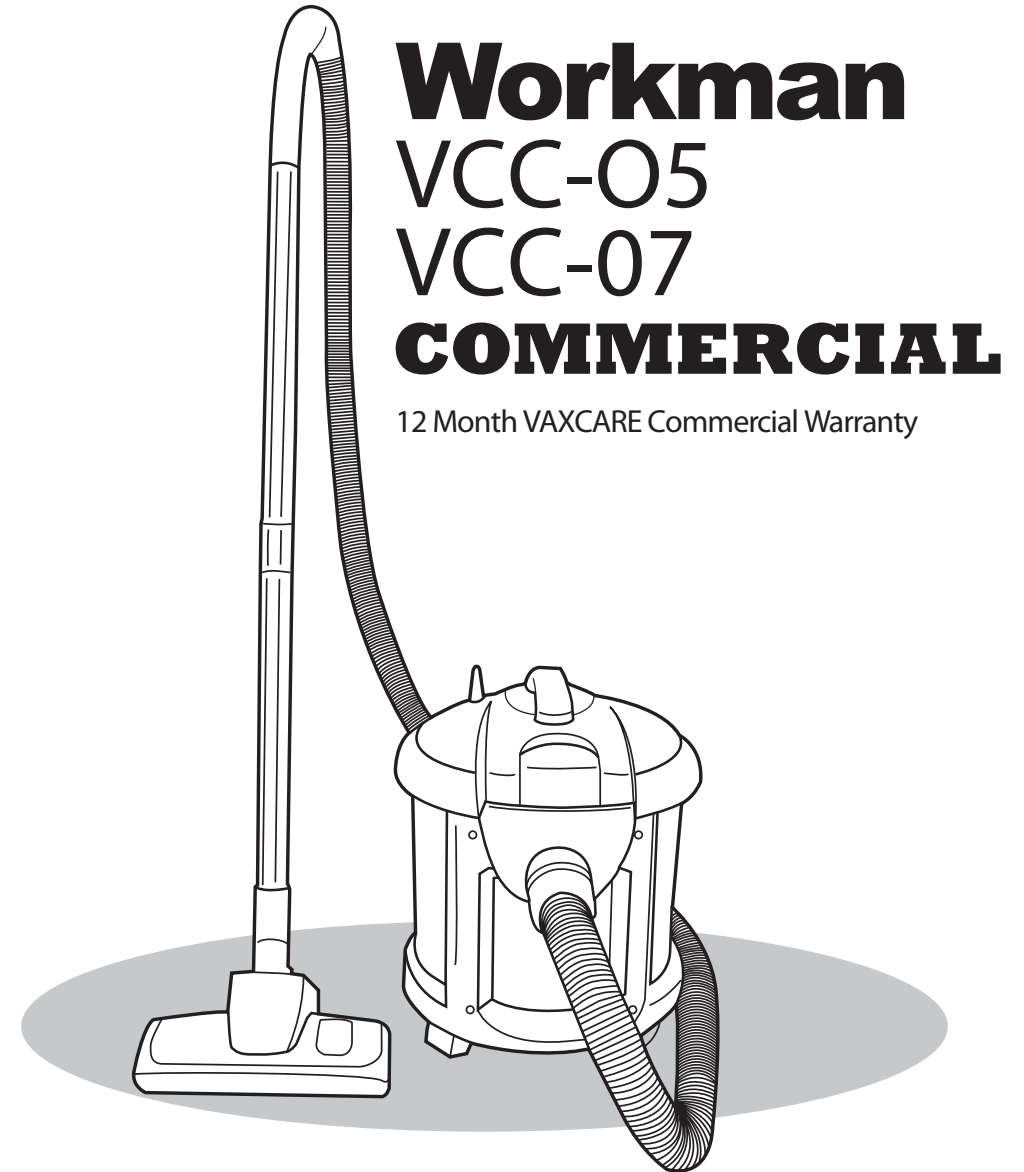
**Cause:** Filter not installed completely.

**Solution:** Review filter removal and replacement.



[www.vax.com.au](http://www.vax.com.au)

**Vaxcare:**  
**AUST: 1300 361 505**  
**NZ: 0800 800 900**



**Workman**  
**VCC-05**  
**VCC-07**  
**COMMERCIAL**

12 Month VAXCARE Commercial Warranty

**Instruction Manual**

Please read carefully before using the cleaner.  
Always fully extend the mains cable before use.

## 1. Safety Instructions

### For Commercial Use Only

When using the vacuum cleaner, basic safety precautions should always be observed, including the following:

1. This appliance is for dry use only and is not to be used or stored outdoors or in wet conditions.
2. Turn off the vacuum cleaner controls before connecting to or disconnecting from the mains supply.
3. Always unplug the vacuum cleaner before connecting or disconnecting the vacuum hose.
4. This appliance is not intended for use by young or infirm persons unless they have been adequately supervised by a responsible person to ensure that they can use the appliance safely.  
Young children should be supervised to ensure that they do not play with the appliance.
5. Use only as described in this manual. Use only the manufacturer's recommended attachments. This appliance is suitable for commercial use, for example in hotels, schools, hospitals, factories, shops, offices and rental businesses.
6. Do not use the vacuum cleaner with a damaged cord or plug. Do not use the vacuum cleaner if it has been dropped, damaged, left outdoors or dropped into water. Return the vacuum cleaner to a Vax Authorised Service Agent for examination, repair or adjustment.  
Regularly examine the power cord for damage, such as cracking or ageing. If damage is found replace the cord before further use.
7. Do not pull or carry by the cord. Do not use the cord as a handle, close a door on the cord or pull the cord around sharp edges or corners. Do not run the vacuum cleaner over the cord. Keep the cord away from heated surfaces.
8. Do not handle the plug or vacuum cleaner with wet hands. Do not use outdoors or on wet surfaces.
9. Do not put any objects into openings. Do not use with any openings blocked and do not restrict air flow. Keep all openings free of dust, lint, hair or anything that may reduce airflow.

10. Keep hair, loose clothing, fingers and all parts of the body away from openings and moving parts.
11. Do not pick up hot coals, cigarette butts, matches or any hot, smoking or burning objects.
12. Do not pick up flammable, hazardous dust or combustible materials (lighter fluid, petrol, kerosene, etc) or use in the presence of explosive liquids or vapours.
13. Do not vacuum up harmful or toxic material (chlorine bleach, ammonia, drain cleaner, etc).
14. Do not vacuum up hard or sharp objects such as glass, nails, screws, coins, etc.
15. Do not use without the filters in place.
16. Use extra care when vacuuming on stairs.
17. Keep vacuuming area well lit.
18. Store the vacuum cleaner indoors in a cool, dry area.
19. Turn off the switch before unplugging.

**WARNING:** Always switch off and unplug the vacuum cleaner from the electrical outlet before assembling, opening or emptying the dirt container, or before connecting/disconnecting the attachments.

**CAUTION:** The vacuum cleaner is a very powerful unit. Before plugging the cord into the outlet make sure the switch is in the 'off' position. Hold the vacuum cleaner firmly when starting.

**IMPORTANT:** If the inlet or hose is blocked, switch off the vacuum cleaner and remove the blockage(s) before re-starting.

**IMPORTANT:** Cleaning filters improves vacuum performance. Make sure all filters are replaced back into the vacuum cleaner before using.

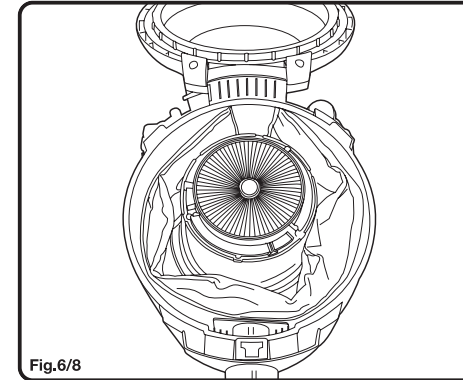
This appliance is suitable for commercial use.  
**PLEASE KEEP THESE INSTRUCTIONS FOR FURTHER USE.**

### Motor Thermostat

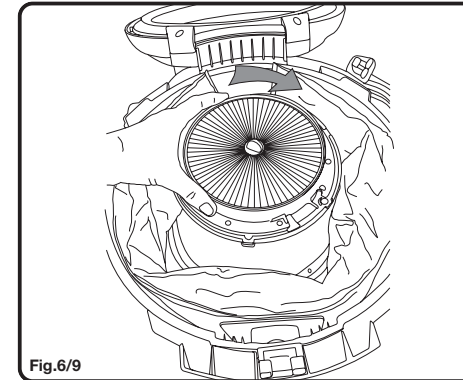
**IMPORTANT:** The motor is equipped with a thermal cut-out. If for any reason, the vacuum cleaner should over-heat, the thermostat will automatically turn the unit off. Should this occur, unplug the vacuum cleaner from the electrical outlet and turn off the switch. Remove the dirt container and empty. Clean the filters. Allow the cleaner to cool for approximately one (1) hour before re-starting.

### HEPA Pre-motor Filter (Model VCC-07 only)

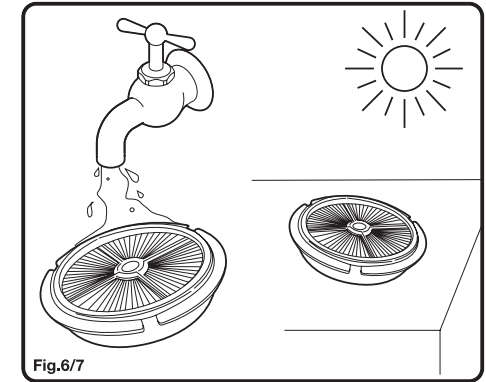
1. Turn off the vacuum cleaner and unplug it from the electrical outlet.
2. Unclip the retainer clip on the top of the vacuum cleaner and lift up to gain access to the dirt container department (Fig.6/8).



3. The HEPA pre-motor filter is found in the centre of the dirt container. Rotate the filter clockwise to remove (Fig.6/9).



4. Gently tap the filter against the side of the rubbish bin to remove excess dirt. The filter may then be rinsed in cool water. Allow to thoroughly air dry before replacing. Replace the filter every 3-6 months depending on useage or when the filter becomes discoloured (Fig.6/7).



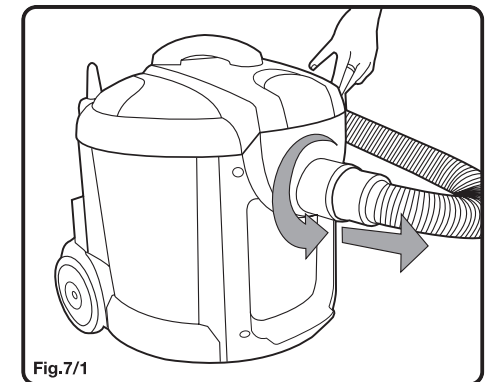
**NOTE:** Do NOT use any detergents or boiling water to wash the filter.  
5. Replace the HEPA filter back in the machine before use.

## 7. Clearing Blockages

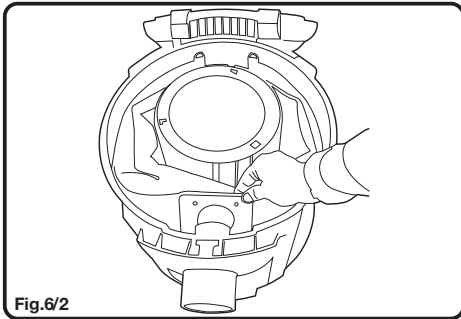
**WARNING:** To reduce the risk of injury, the power cord must be disconnected before performing maintenance or troubleshooting checks.

Turn vacuum cleaner off and disconnect the power plug from the electrical outlet.

The flexible hose can be disconnected from the vacuum cleaner by rotating anti-clockwise and pulling away from the machine. Remove any blockages found then reconnect the hose (Fig.7/1).



2. Lift out the full dust bag Fig.6/2

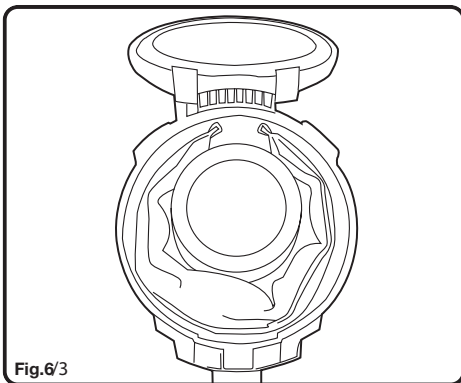


3. Dispose the full dust bag and insert a new dust bag into the vacuum cleaner. Align the front of the dust bag with the air entrance.

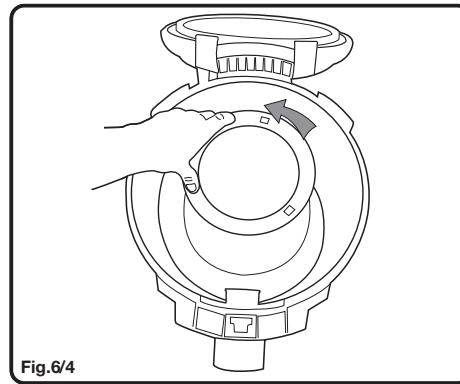
**NOTE:** The seal ring around the dust bag opening should cover the air entrance connector inside the housing.

**Pre-motor Filter (Model VCC-05 only)**

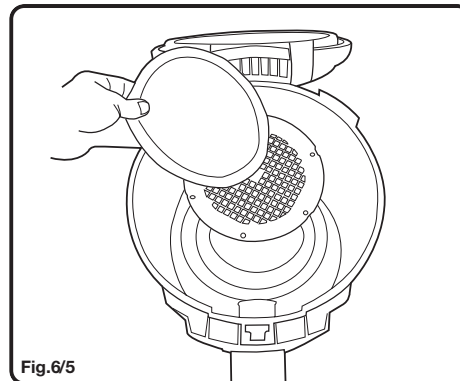
1. Turn off the vacuum cleaner and unplug it from the electrical outlet.
2. Unclip the retainer clip on the top of the vacuum cleaner and lift up to gain access to the dirt container department. (Fig.6/3)



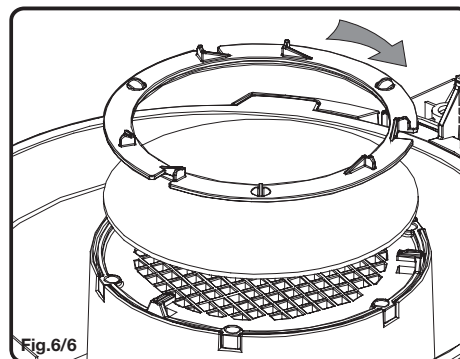
3. The pre-motor filter is found in the centre of the dirt container. Rotate the filter retaining disc anti-clockwise to gain access to the filter (Fig.6/4).



4. The pre-motor filter can be lifted out. (Fig.6/5)



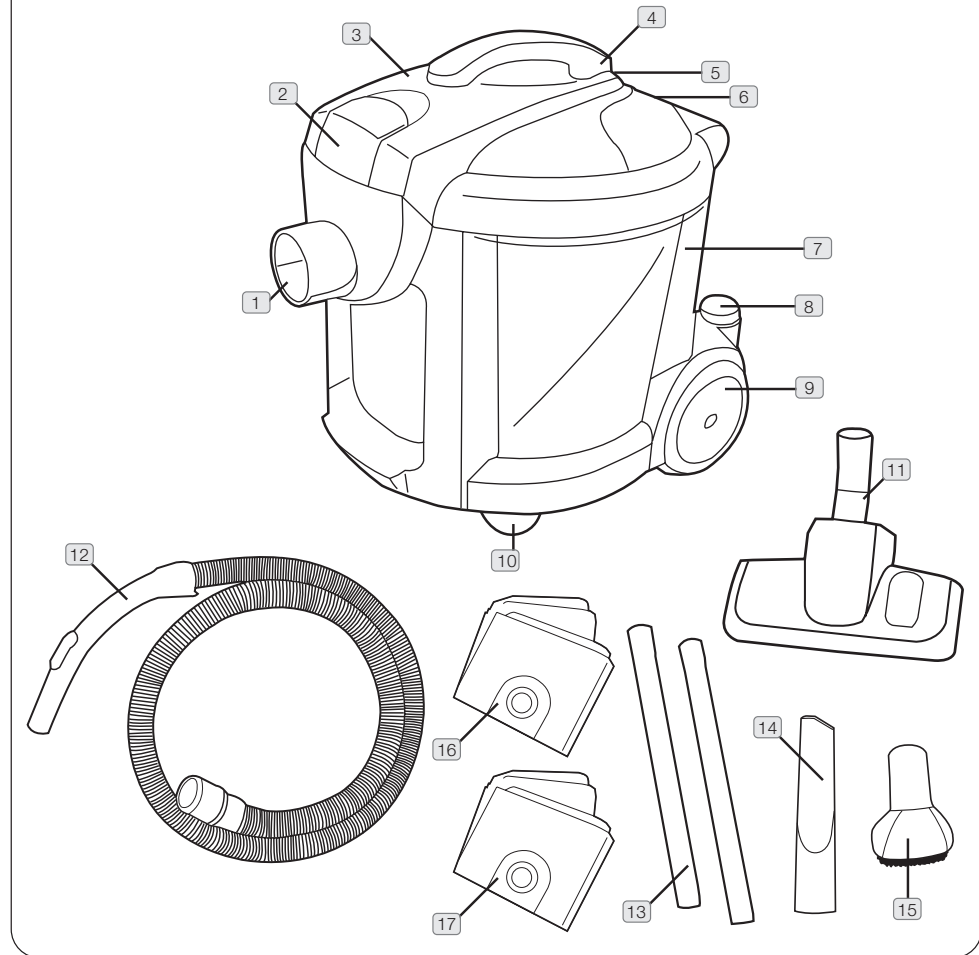
**NOTE:** Vax recommends replacing the pre-motor filter when it becomes discoloured.



5. Replace with a new filter inside and turn the retaining disc clockwise to secure. (Fig.6/6)

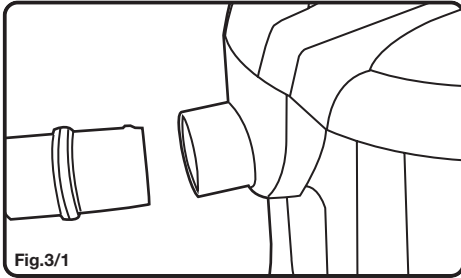
**2. Parts Overview**

**VCC-05 & VCC-07**

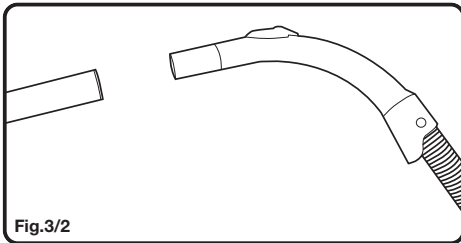


- |                           |                           |   |
|---------------------------|---------------------------|---|
| 1 Hose inlet              | 7 Exhaust grill           | 13 Extension tubes                            |
| 2 Top cover retainer clip | 8 On/off button           | 14 Crevice tool                               |
| 3 Top cover               | 9 Wheel                   | 15 Dusting brush                              |
| 4 Carry handle            | 10 360° rotating casters  | 16 Paper dust bags<br>VCC-05 (x3) VCC-07 (x2) |
| 5 Power cord storage      | 11 Combination floor tool | 17 Cloth dust bag (x1)<br>VCC-07 only         |
| 6 Parking slot            | 12 Flexible hose          |   |

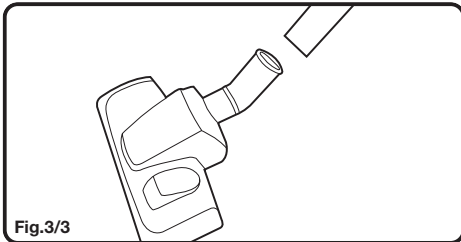
### 3. How to Assemble



1. Insert the flexible hose into the inlet on the main body of the vacuum cleaner. Turn the hose clockwise until it cannot be turned any further (Fig.3/1).



2. Push the extension tube on to the end of the handle. The extension tubes can be used together to lengthen or shortened by using one section of the extension tube as required.(Fig.3/2).



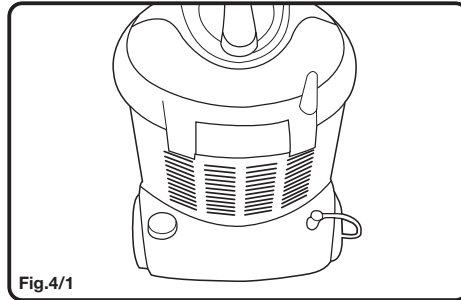
3. Fit the combination floor head by pushing onto the extension tube. (Fig.3/3).

### 4. How to Operate

**Fully unwind the power cord.**

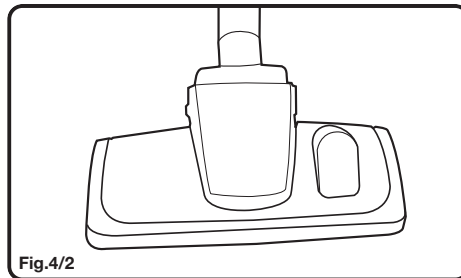
#### On/Off Button

Insert the power plug into the electrical outlet. Ensure the vacuum cleaner is switched off. Press the on/off button located at the rear of the machine to turn on and press the button again to turn the vacuum cleaner off. (Fig.4/1)



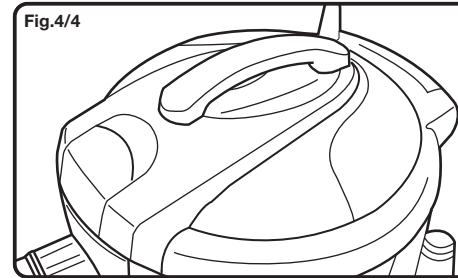
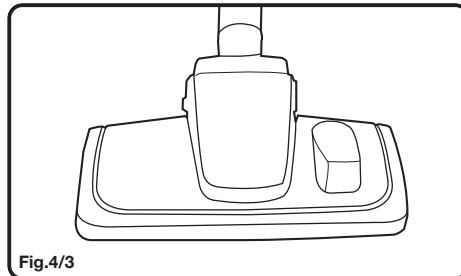
#### Carpet Cleaning

For carpet and rug cleaning press the rocker switch on the combination floor head to raise the brushes. (Fig.4/2 )



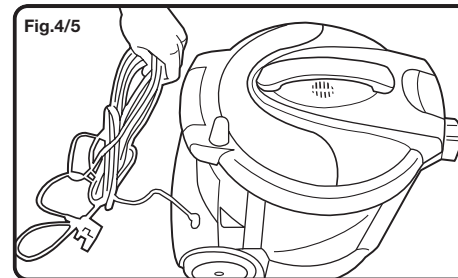
#### Hard Floor Cleaning

For hard floor cleaning, press the rocker switch on the combination floor head to lower the brushes. (Fig.4/3)



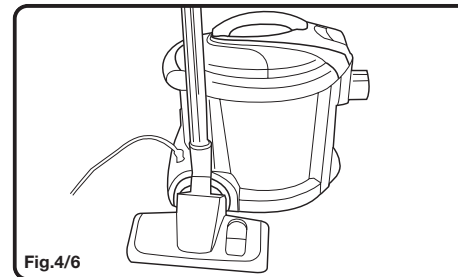
#### Carry Handle

Use the carry handle located on the top of the machine to move the vacuum cleaner from room to room. (Fig.4/4)



#### Cable Storage

After use, turn the vacuum cleaner off and unplug from the electrical outlet. Wrap the cord around the cable storage hook for moving the unit from room to room or for storage. (Fig4/5)



#### Hose Storage

For convenience there is a parking slot located on the side of the vacuum cleaner where the floor tool and hose can be parked for carrying and storage. (Fig.4/6)

### 5. Accessories

The accessories can be attached directly to the handle by removing the extension tube and pushing in the desired accessory. The accessories can also be attached to the extension tube for extra reach. Remove the combination floor head and push on the desired accessory.

**Crevice Tool:** for crevices, corners, cracks, sills, etc.

**Dusting brush:** for delicate surfaces.

### 6. Dirt Container: Removal and Replacement

**IMPORTANT:** Always unplug the vacuum cleaner from the electrical outlet before removing the dust bag.

**IMPORTANT:** DO NOT use the vacuum cleaner without ALL of the filters in place.

#### Dust Bag Replacement

1. Turn off the vacuum cleaner and unplug it from the mains. Remove the hose. Unclip the retainer clip on the top of the unit and lift up to gain access to the dust bag compartment. (Fig.6/1)

