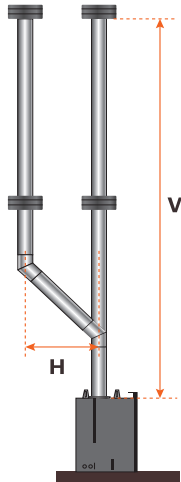




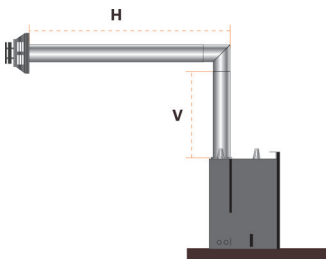
AVEDUR GAS LOG FIRE

FLUE INSTALLATION GUIDE:



	Vertical (V)	Horizontal (H)
Minimum	1x 900mm flue pipes	-
Maximum	6x 900mm flue pipes	1800mm

Note: Scandia direct vent flue products must be used for all installations.



Horizontal (H)		Vertical (V)
1 x 90 Elbow	+	1 x 900mm flue pipe
1 x 90 Elbow + 1 x 900m flue pipe	+	1 x 900mm flue pipe
1 x 90 Elbow + 3 x 900m flue pipe	+	2 x 900mm flue pipe
1 x 90 Elbow + 4 x 900m flue pipe	+	2 x 900mm flue pipe

Note: Scandia direct vent flue products must be used for all installations.

FLUE INSTALLATION OPTIONS:

PRODUCT DESCRIPTION	MODEL NO.	ITEM NO.
900mm flue length	DV903	3171712
1200mm flue length	DV902	3171711
600mm flue length	DV904	3171713
300mm flue length	DV906	3171714
275 - 370mm flue length (adjustable)	DV911	3171715
90° elbow	DV990G	3171718
45° elbow	DV945G	3171716
Vertical terminal cap	DV991	3171720
Horizontal terminal cap	DV984	3171717

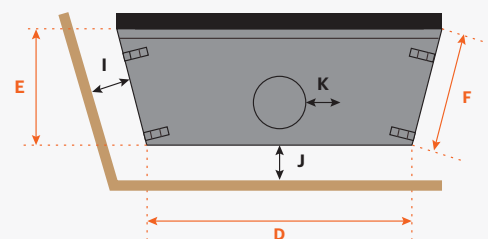
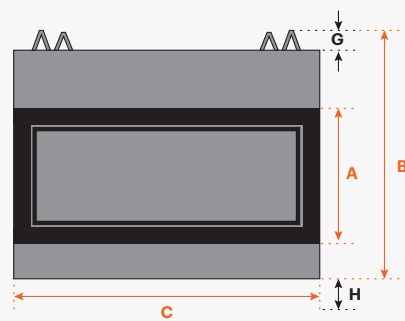
Please refer to the online owners manual for correct flue installation instructions. Scandia direct vent flue products must be used for all installations. It is highly recommended that you consult with your licensed installer about the installation requirements.

HEATER DIMENSIONS (mm)

A	B	C	D	E	F
608	1075	1235	952	443	445

INSTALLATION CLEARANCES (mm)

G	H	I	J	K
86	0	30	30	25



+61 3 5792 2388
info@scandiastoves.com.au
www.scandiastoves.com.au

Scandia Heating (Aust) Pty Ltd
58-62 Access Way,
Carrum Downs, VIC 3201
Australia