

Simply fill out the order form and return it to your **Grates 2 Go** supplier

DATE PURCHASE ORDER No.

COMPANY

CONTACT NAME

GRATE PROFILE

- | | |
|------------------------------------------------------------------------------------------------------------------------|------------------------------------------------------------------------------------------------------------------------|
| <input type="radio"/> Wedge Wire  | <input type="radio"/> Flow Pattern  |
| <input type="radio"/> 6x6 Square  | <input type="radio"/> Centre Line  |
| <input type="radio"/> Tile Insert  | <input type="radio"/> Heavy Duty  |
| <input type="radio"/> Brick Pattern  | <input type="radio"/> Threshold  |

- GRATE & CHANNEL** **CHANNEL ONLY** **GRATE ONLY**

DIMENSIONS (in millimetres)

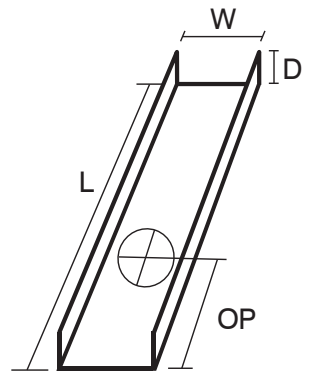
Length (L):

Width (W):
(100mm & 75mm standard)

Outlet Position (OP):
(measure to the centre of the outlet)

Depth (D):
(25mm standard)

Quantity:



OUTLET SIZE (* 85mm outlet complies with the Plumbing Code of Australia)

- 38mm 44mm 51mm 63mm 76mm 85mm* Other:

STAINLESS STEEL GRADE

- 304 316

COMMENTS