



HERITAGE RANGE ELEVATED PLANTER

SM : 800_{mm} (L) 400_{mm} (W) 850_{mm} (H)
LG : 1200_{mm} (L) 400_{mm} (W) 850_{mm} (H)

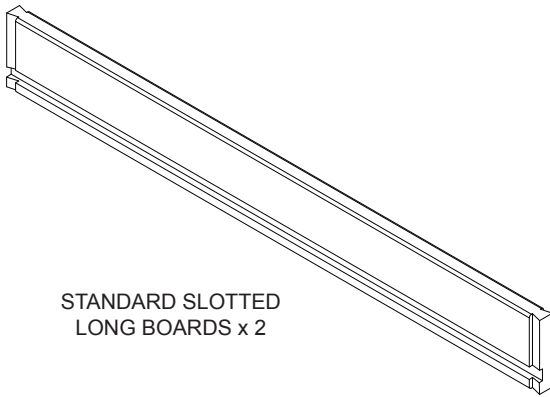
IMPORTANT

This heritage timber bed is manufactured from the highest quality cypress heartwood. To prevent discolouration over time it is recommended that once assembled the external surfaces are coated with a quality natural oil or stain.

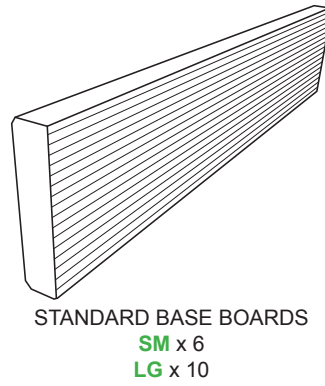
Before filling the bed with soil, ensure it is square and level.

Be aware that this timber product may splinter so it is recommended that protective gloves are worn during assembly.

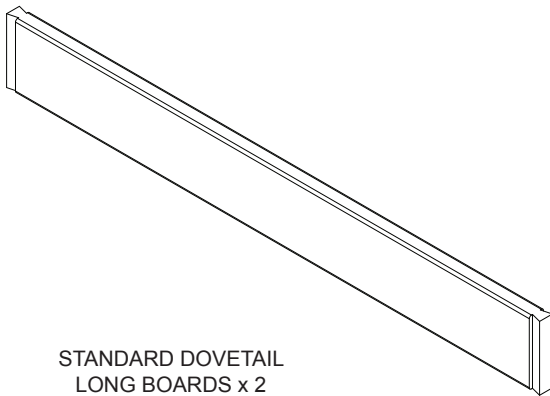
KIT CONTENTS



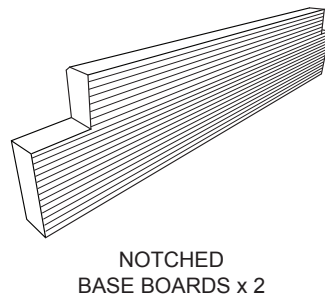
STANDARD SLOTTED
LONG BOARDS x 2



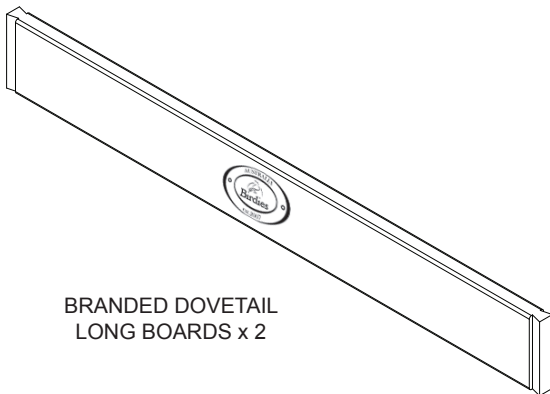
STANDARD BASE BOARDS
SM x 6
LG x 10



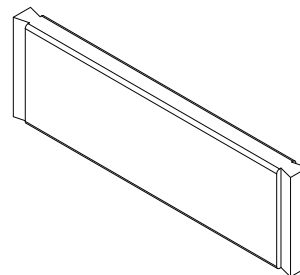
STANDARD DOVETAIL
LONG BOARDS x 2



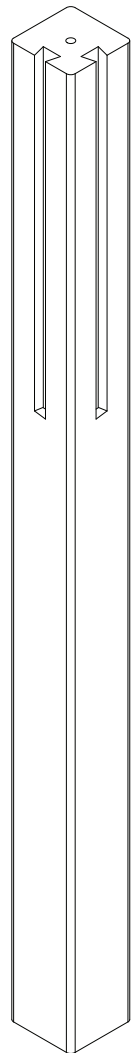
NOTCHED
BASE BOARDS x 2



BRANDED DOVETAIL
LONG BOARDS x 2



STANDARD DOVETAIL
SHORT BOARDS x 6



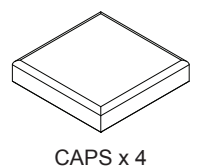
DOVETAIL
POSTS x 4



HARDWOOD
DOWELS x 4



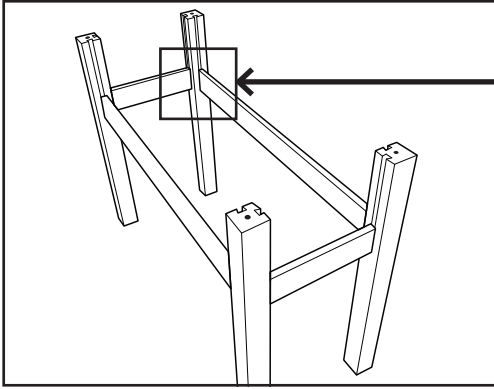
GEOTEXTILE FABRIC
x 1



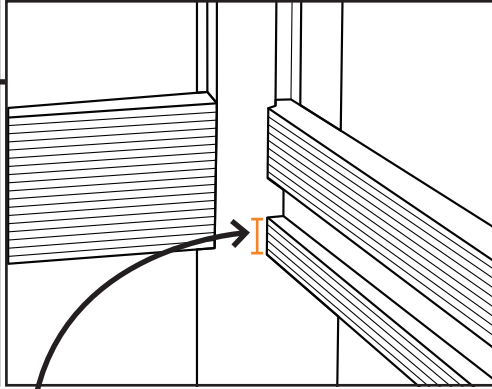
CAPS x 4

ASSEMBLY

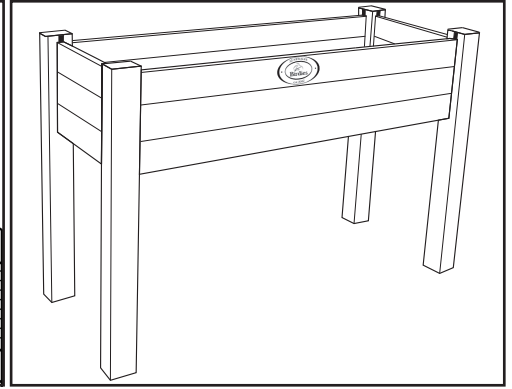
STAGE 01



Ensuring the 8mm hole is on the top & the grooved (reeded) side of the timber boards is facing inwards slide the 2 slotted long boards into the posts (**IMPORTANT - SEE DETAIL**) followed by the first row of standard short boards. Apply equal force downwards when sliding in each board.

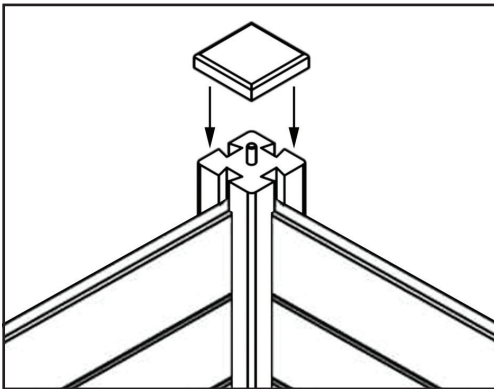


● **The slotted long board must go in with the SMALLER section of reeded timber UNDER the slot.**



Slide in remaining 8 boards ensuring the grooved (reeded) side of the timber boards face inwards & the Birdies branded long boards are located in the top row.

STAGE 03

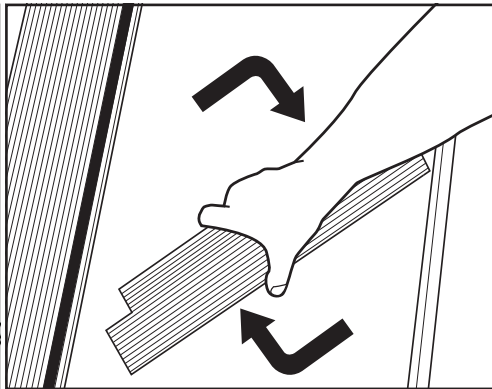


Insert the 4 hardwood dowels into the holes on the top of the posts by hand and then place 4 caps over these dowels. Push down to secure.

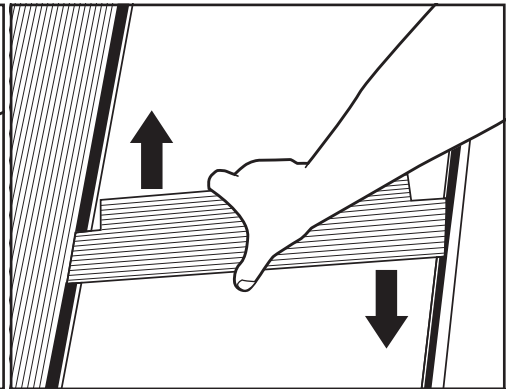
OPTIONAL

Wood glue can be used to fix the cap in place.

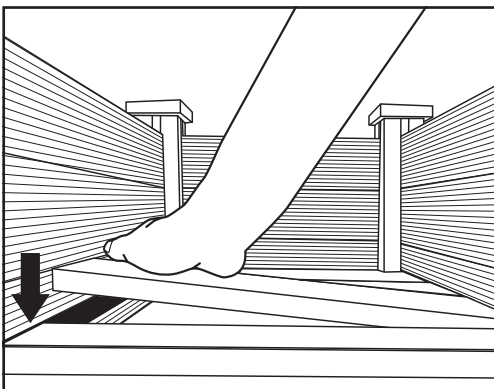
STAGE 04



Insert each left and right notched board by laying in the slot and turning the boards clockwise

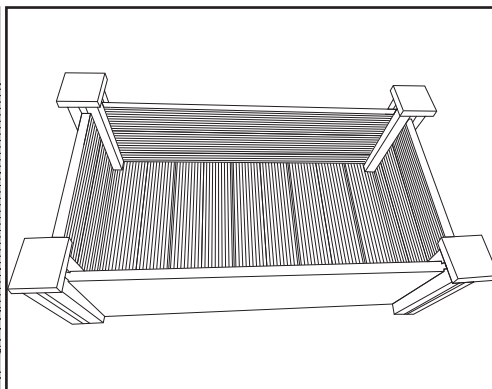


STAGE 05



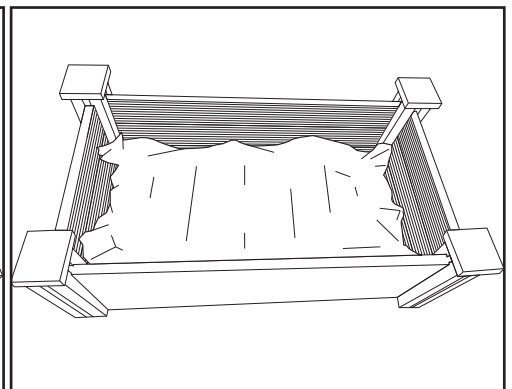
Turn the remaining base boards into the slotted long board. The last 2 which will need to be installed by laying one side of the board into the slot, then pushing the other side down until it is locked in.

STAGE 06



Spread the base boards evenly, leaving approximately 10mm between each base board.

STAGE 07



Lay the black geotextile fabric in evenly. Allow excess fabric to lay up the walls. Start filling by placing the soil into each corner of the planter whilst holding the fabric up, this will prevent soil from washing away once filled.