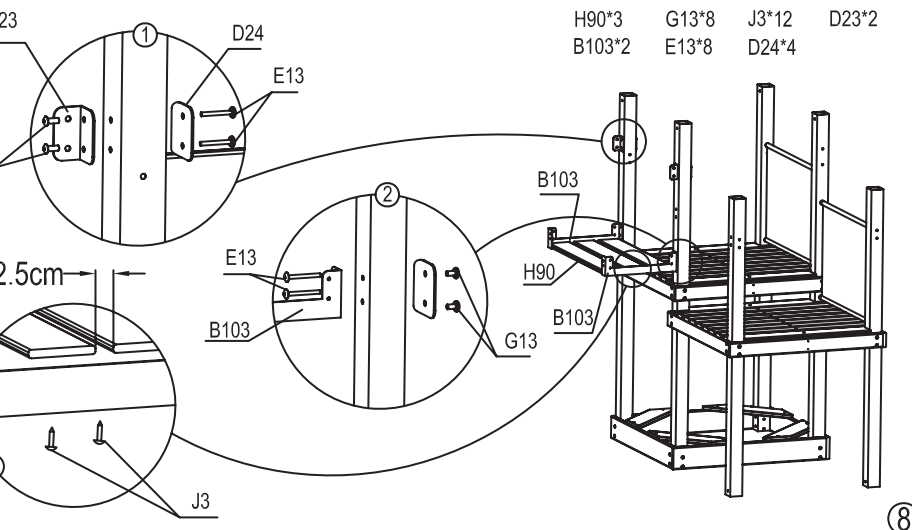
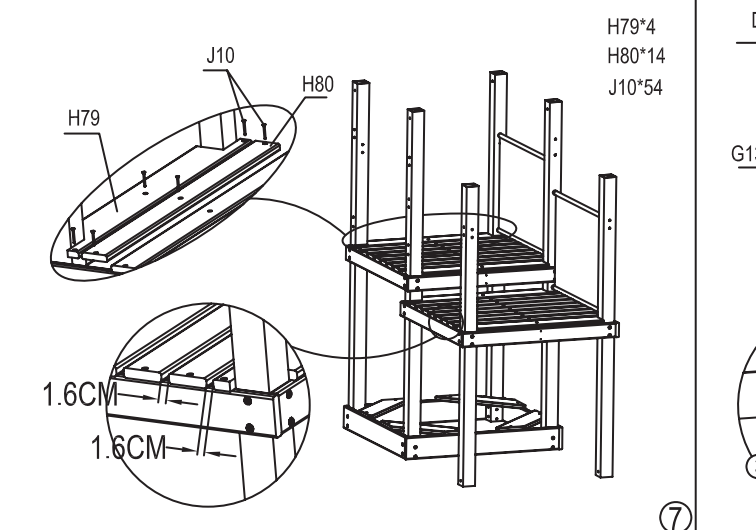
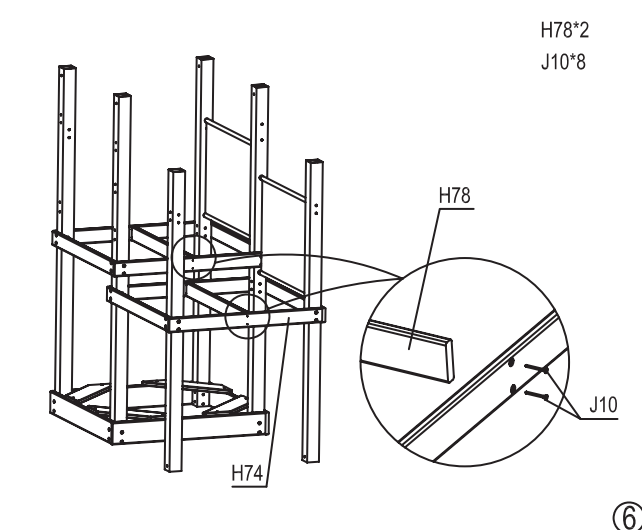
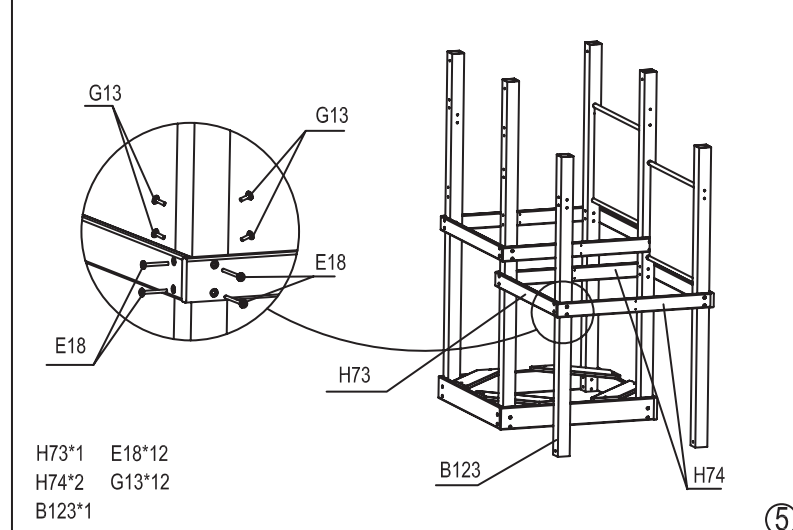


B124*1
B125*1
I10*1
B102*2
H73*1
E18*4
G13*4

B126*1
H73*1
E18*12
B127*1
H74*2
G13*12

H75*2
H76*2
H77*4
E18*16
G13*16
J10*8

I10*1
B122*1
B102*2
E18*4
G13*4
H73*1

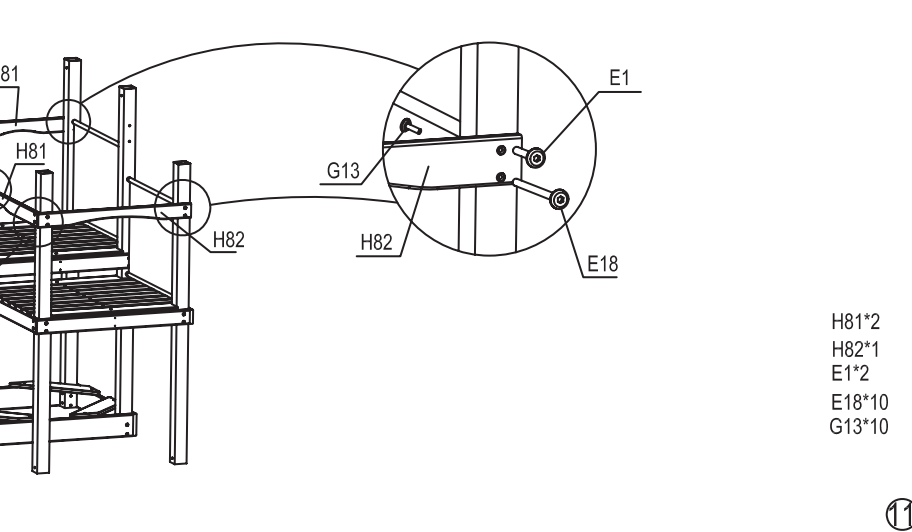
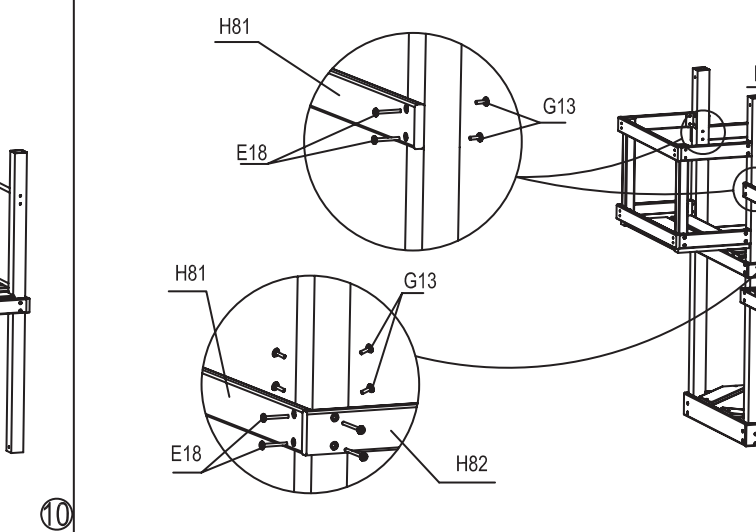
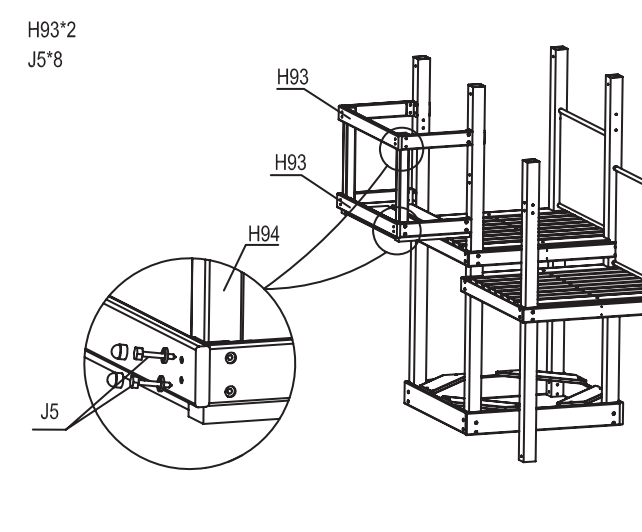
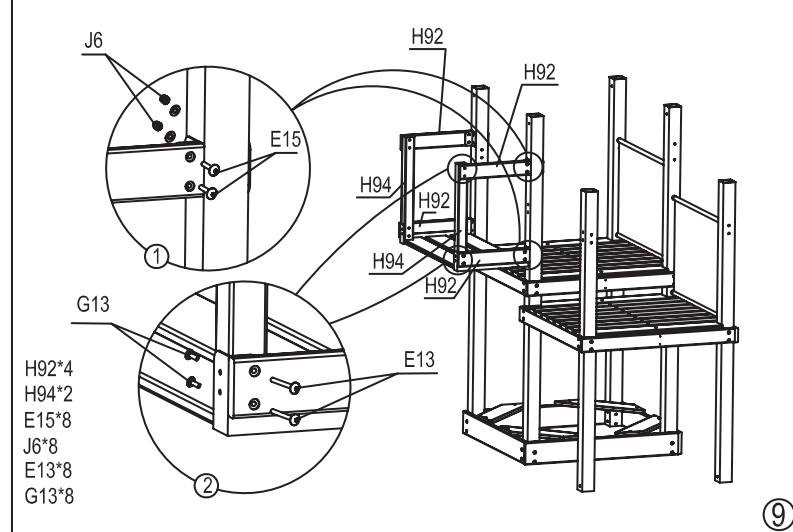


H73*1
H74*2
B123*1

H78*2
J10*8

H79*4
H80*14
J10*54

H90*3
B103*2
G13*8
E13*8
J3*12
D24*4
D23*2

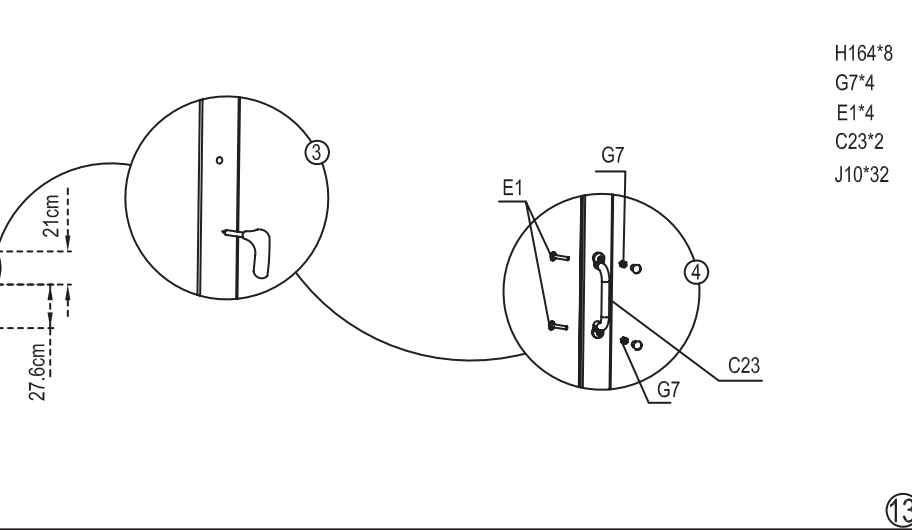
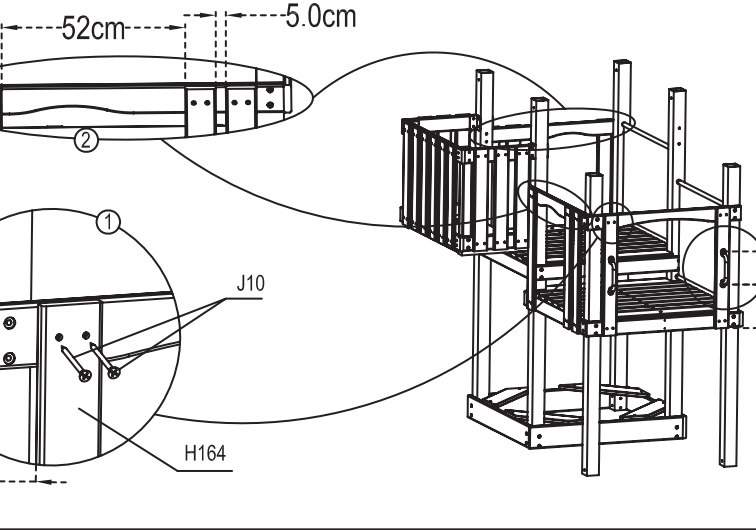
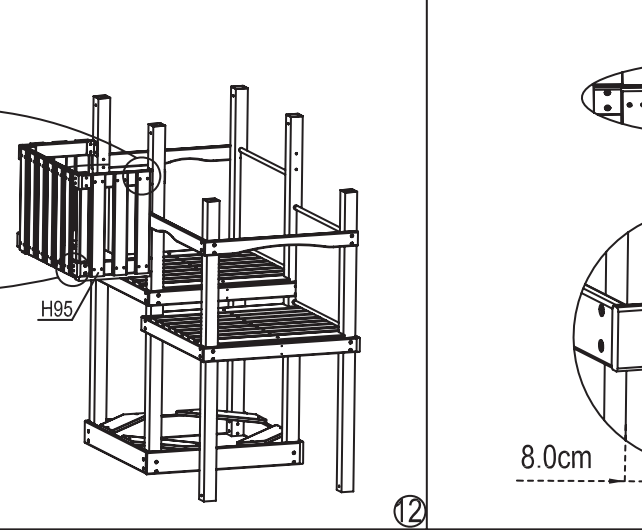
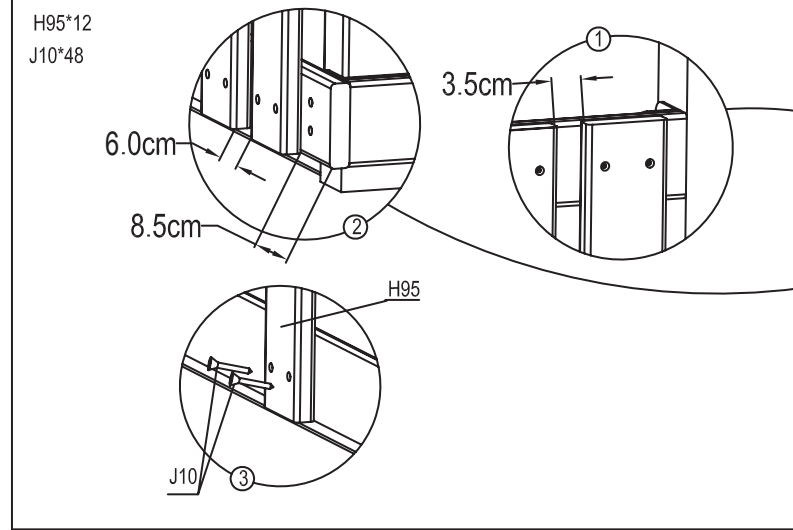


H92*4
H94*2
E15*8
J6*8
E13*8
G13*8

H93*2
J5*8

H81*2
H82*1
E1*2
E18*10
G13*10

H81*2
H82*1
E1*2
E18*10
G13*10

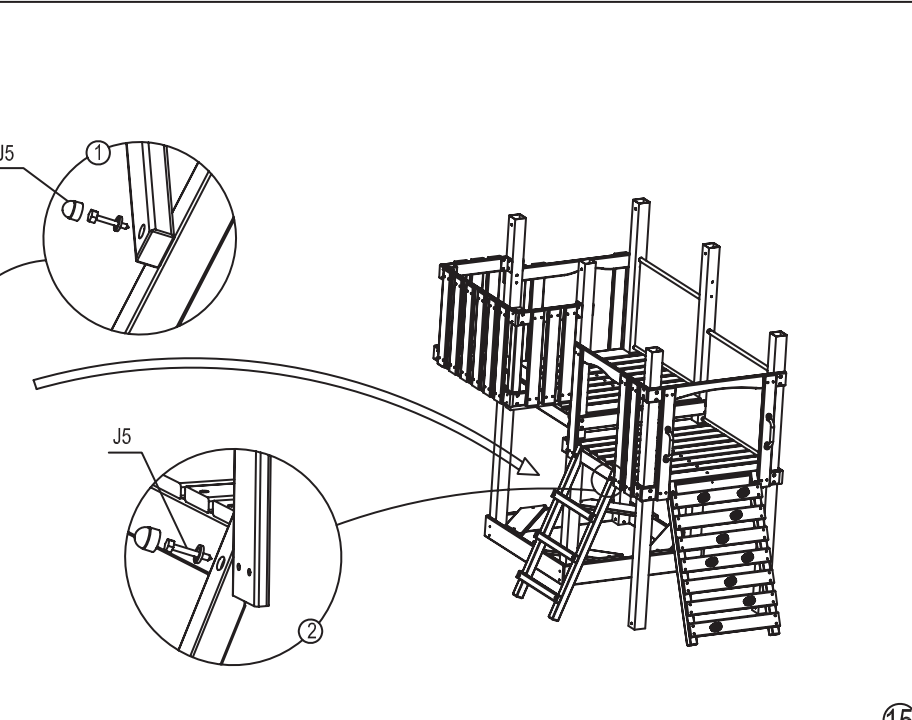
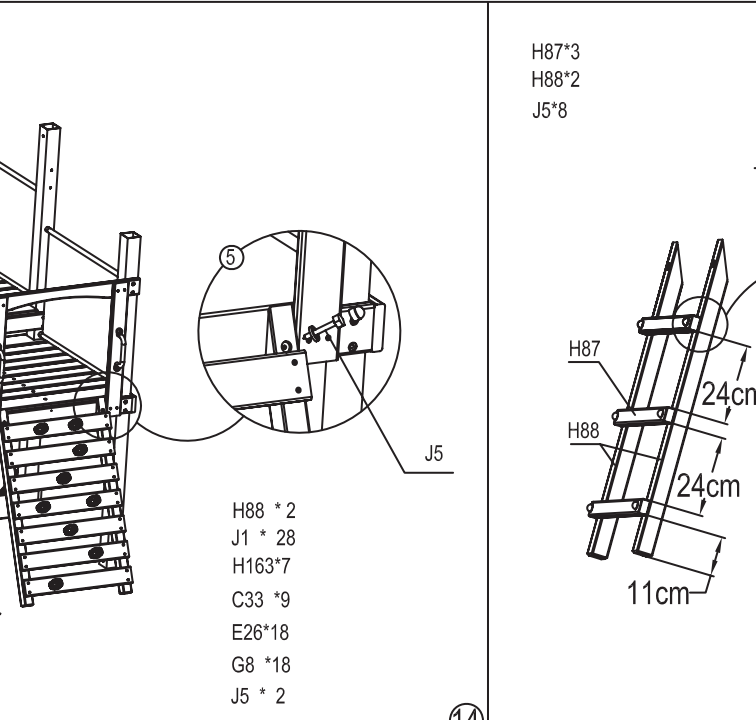
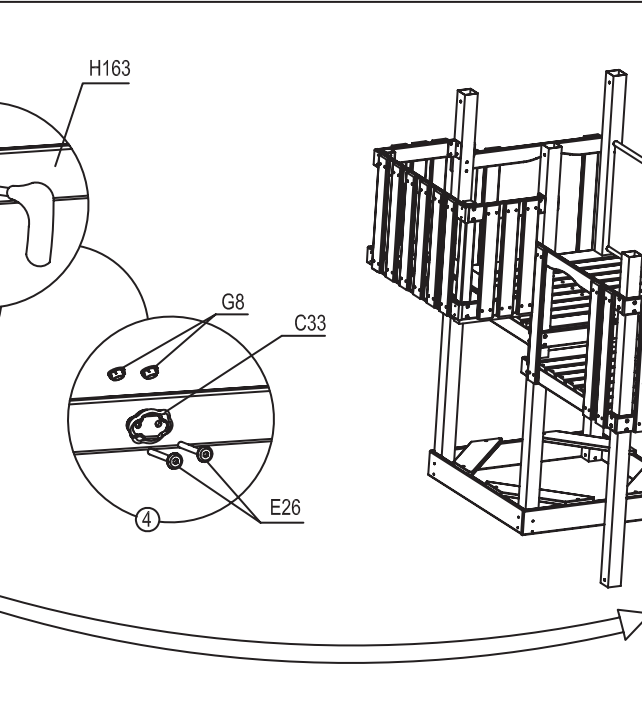
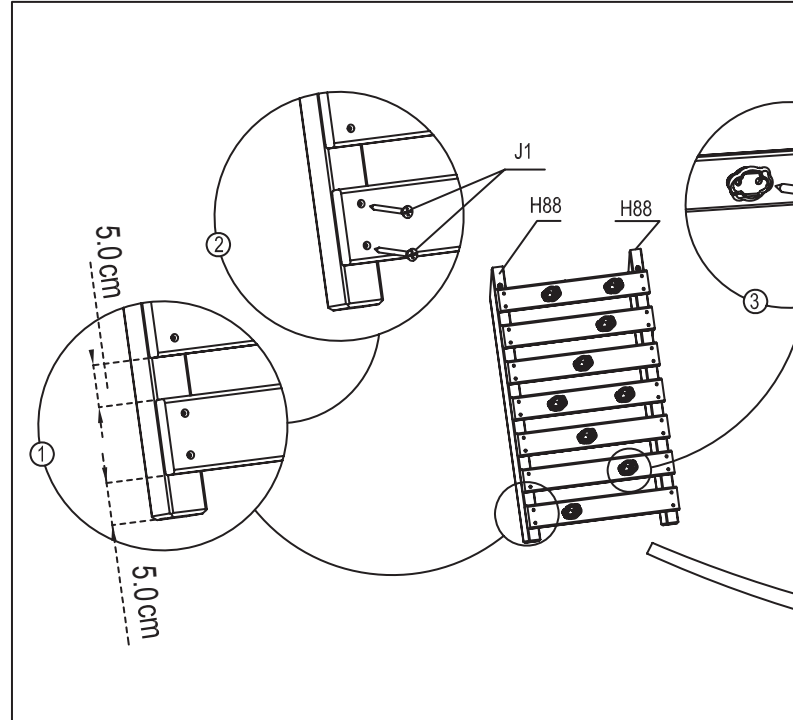


H95*12
J10*48

H95

H164*8
G7*4
E1*4
C23*2
J10*32

H164*8
G7*4
E1*4
C23*2
J10*32

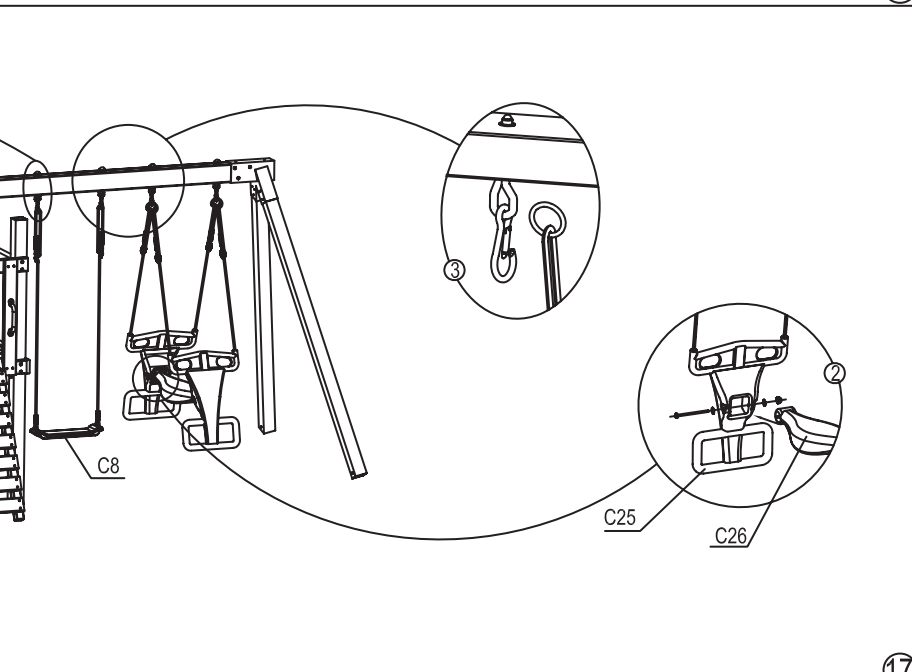
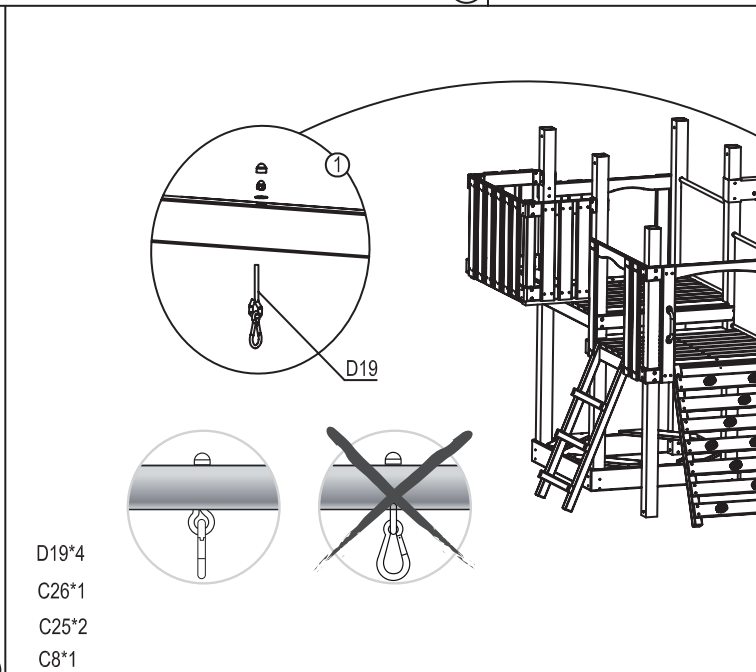
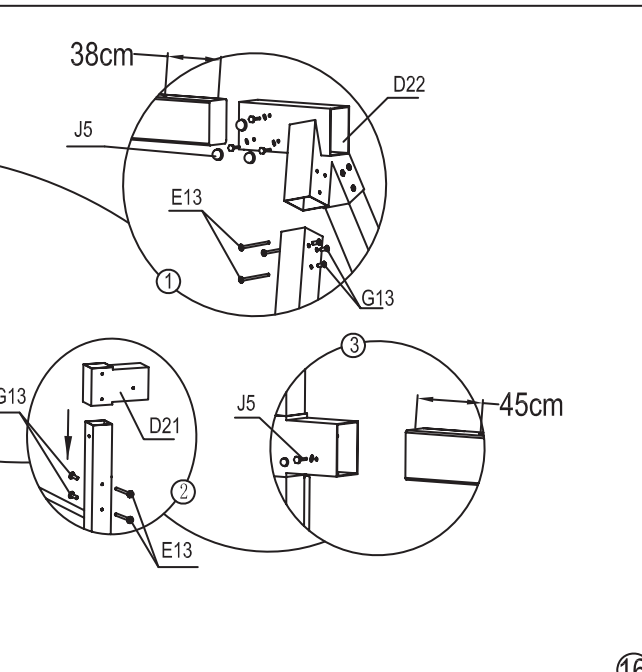
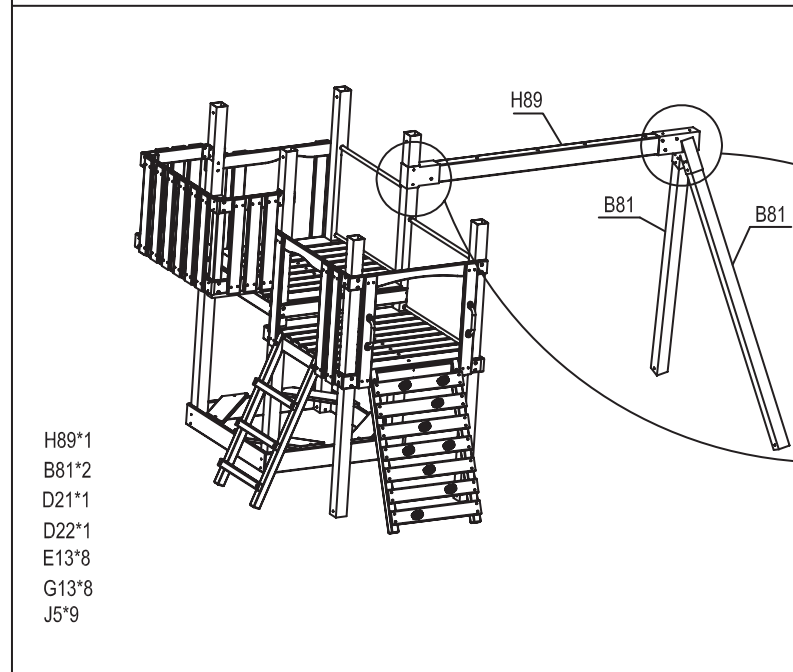


H163

H88 * 2
J1 * 28
H163*7
C33 * 9
E26*18
G8 * 18
J5 * 2

H87*3
H88*2
J5*8

H87*3
H88*2
J5*8

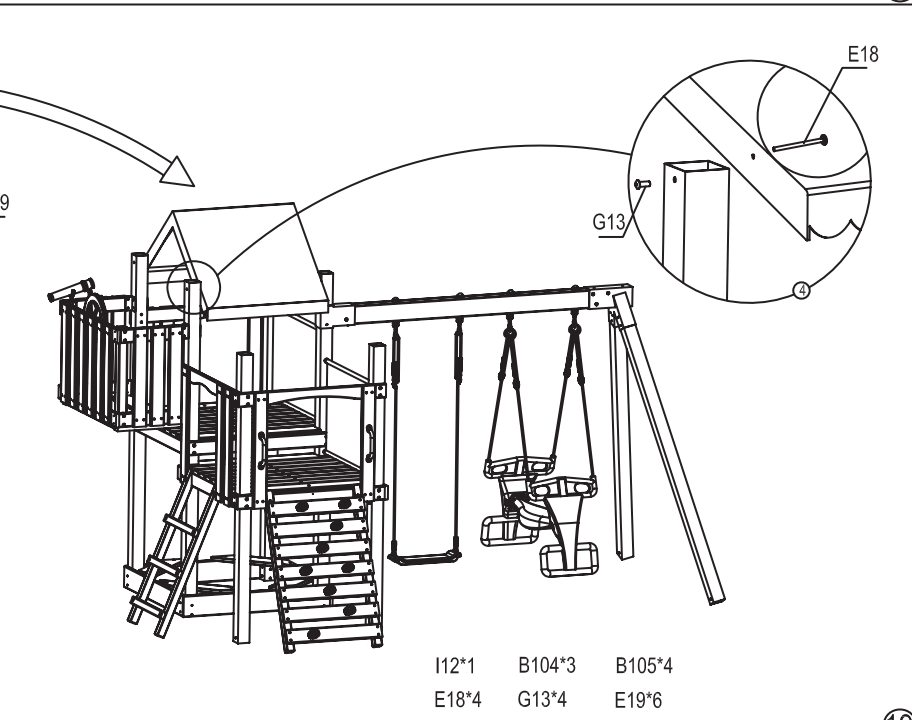
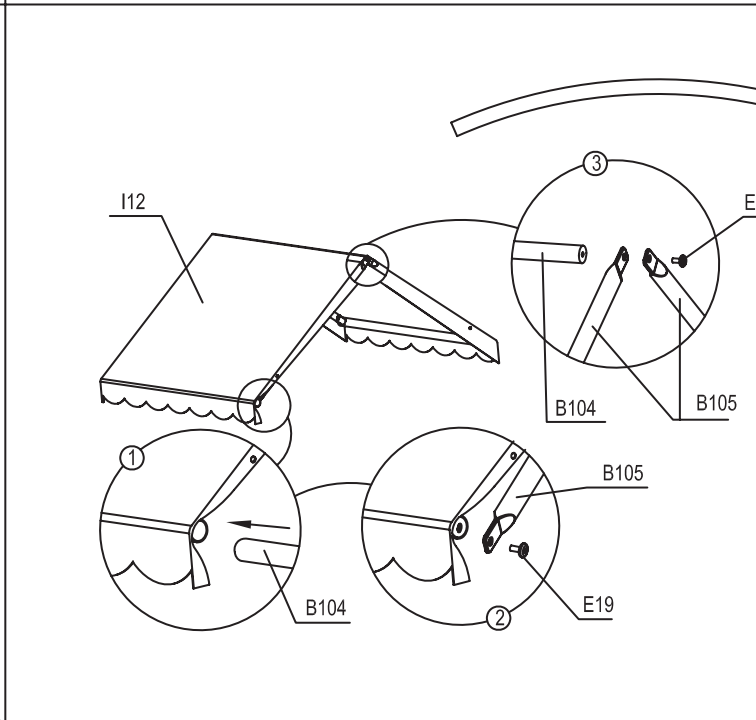
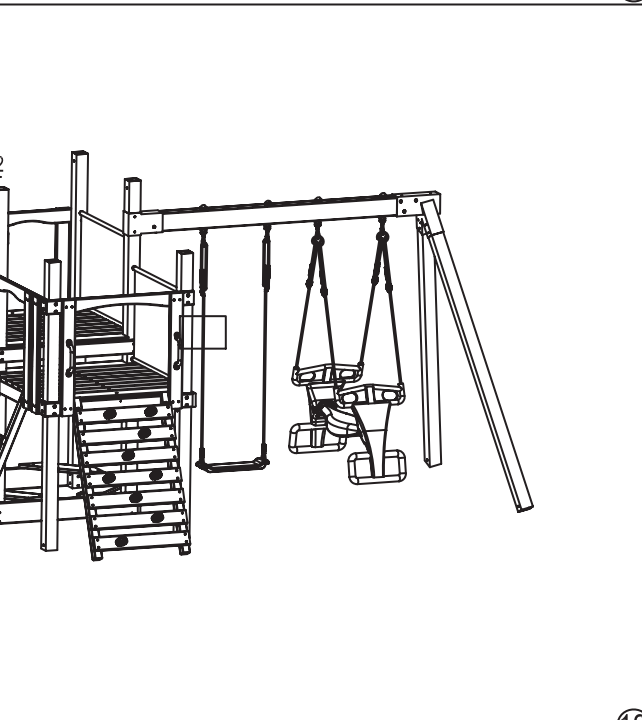
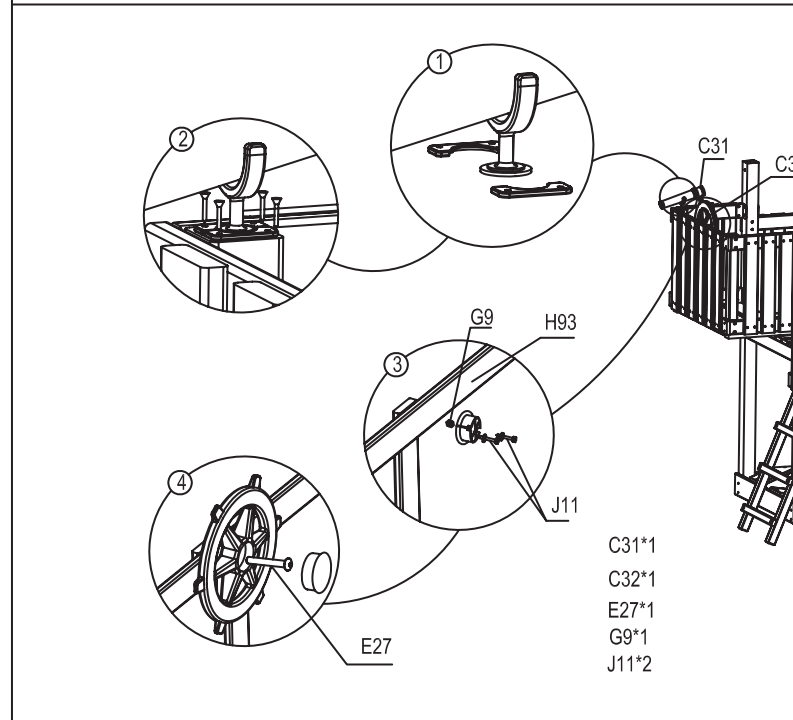


H89*1
B81*2
D21*1
D22*1
E13*8
G13*8
J5*9

D19*4
C26*1
C25*2
C8*1

D19*4
C26*1
C25*2
C8*1

C25
C26



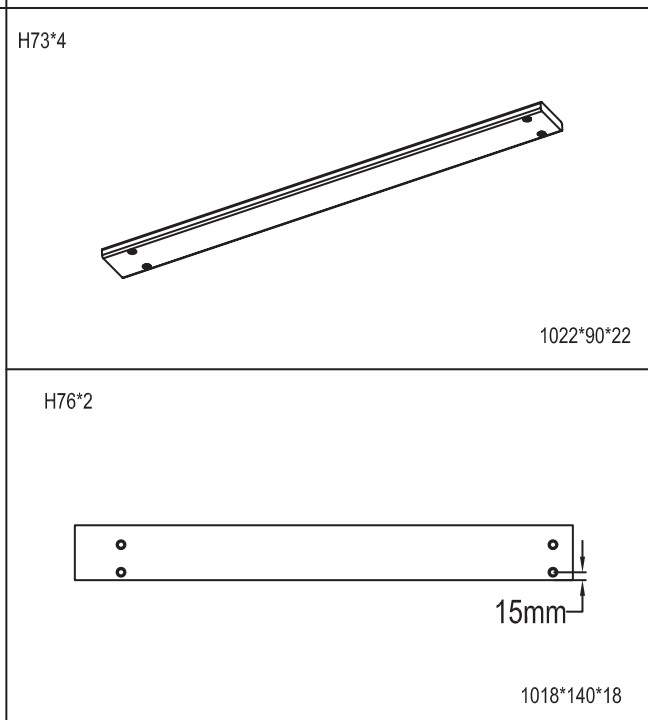
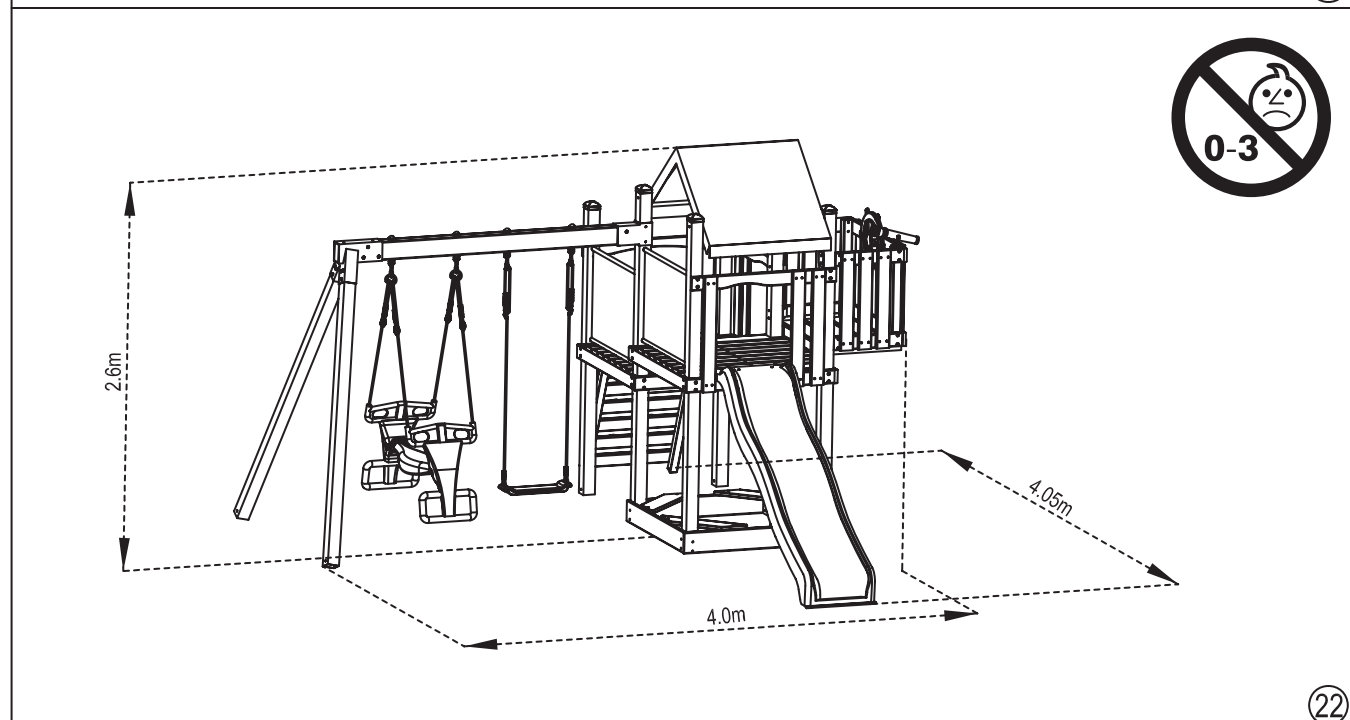
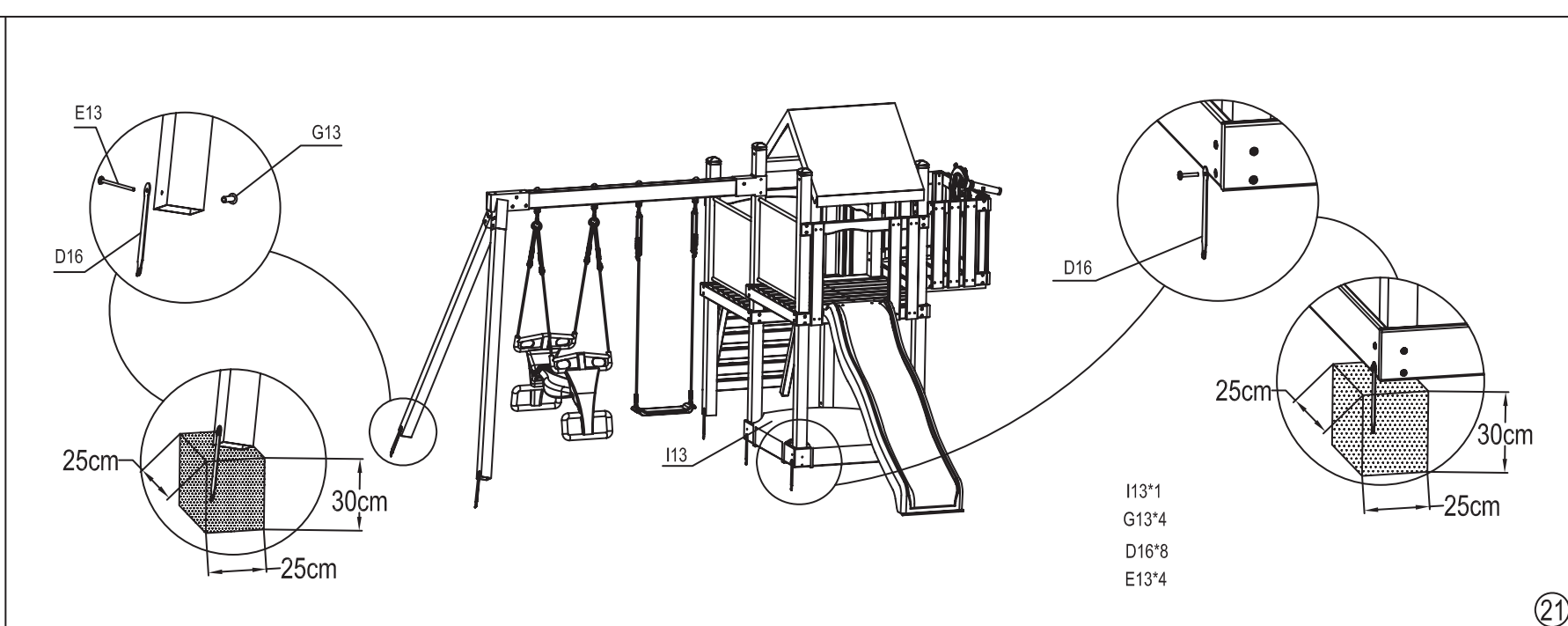
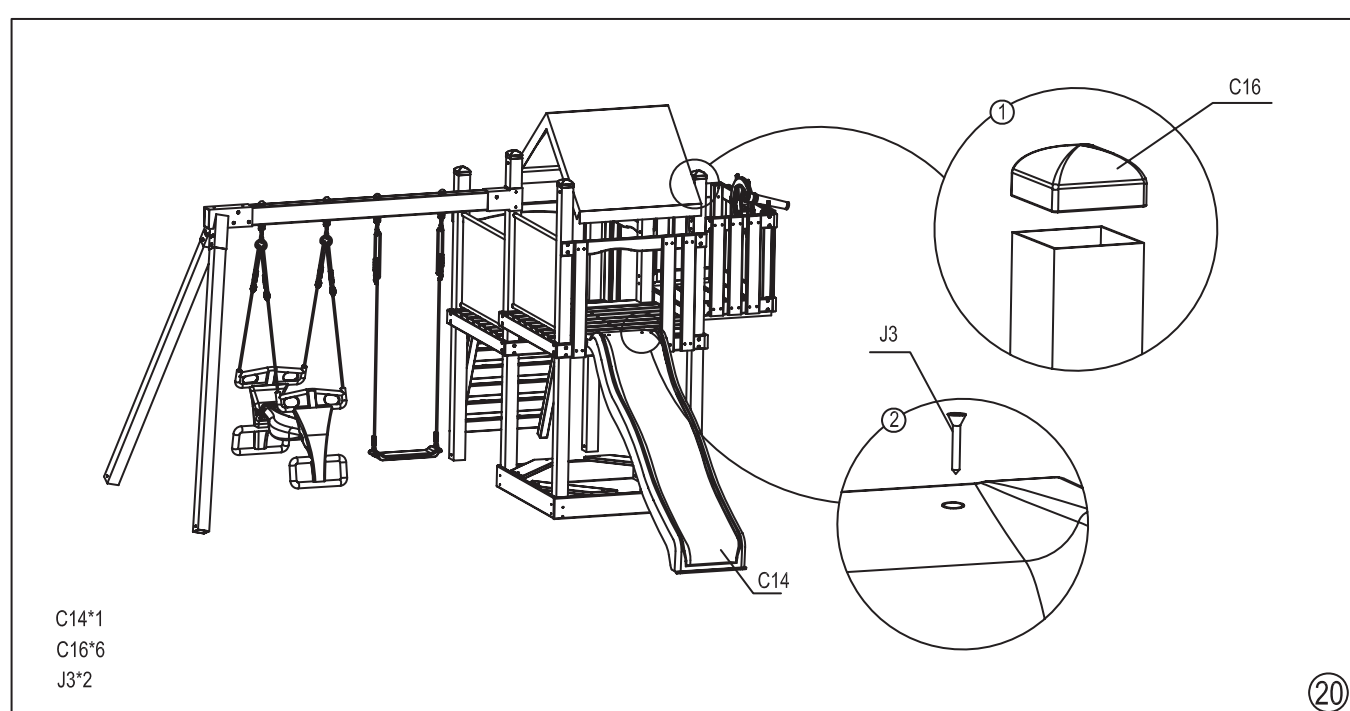
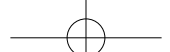
C31*1
C32*1
E27*1
G9*1
J11*2

I12
B104
B105
E19
B104
B105
E19

I12*1
B104*3
B105*4
E18*4
G13*4
E19*6

I12*1
B104*3
B105*4
E18*4
G13*4
E19*6





Camelot Playset(MPS035)
Thank you for purchasing the Camelot Playset(MPS035)
The outdoor play centre you have chosen adheres to European standards and has been certified by an independent laboratory.

ASSEMBLY ADVICE

- Follow the instructions exactly.
- Once assembly has been completed, keep the instructions in a safe place for future reference.
- Before commencing assembly, check that none of the parts are missing.
- Retain extra parts to use as spares in the future if necessary.

SAFETY ADVICE

- As per legal requirements, there must be a 40cm minimal distance between the ground and the swing. This distance is important for safety. The distance between the swing seat and the ground and the scooter and the ground can be adjusted by changing which part of the chain is secured with the snap hook.
- This product is only to be used by children between the ages of 3 and 12.
- Not to be used by anyone weighing over 50kgs.
- This product is for private use at home only. Under no circumstances it is to be used in parks, schools, camp sites, hotels, public leisure areas etc. away from any structures or obstacles (walks, fences, trees, washing lines, cables etc).
- The swing set must NOT be set up on a hard surface (concrete, tarmac etc). Grass and other soft surfaces are recommended.
- It is recommended that the play centre is secured firmly into the ground using cement.
- The anchorage must be checked regularly.
- Dispose of packaging thoughtfully.
- Do not allow children to play with packaging.

MAINTENANCE

- All parts should be checked at least once a month.
- If the hooks on the over head beam show wear over 10% of the initial thickness, they should be replaced by exactly the same fixtures as were originally provided.
- All parts that are under constant friction should be oiled regularly using a suitable lubricant.
- The ground on which the play centre is set up should be cleared regularly. All objects such as stones or anything else that could cause injury in the case of a fall should be removed.
- It is recommended that during the winter period when the equipment is not in use, all apparatus are removed to prevent deterioration due to bad weather.
- Make regular checks on the area where the chain joins the swing seat. If the hole shows sign of wear, the swing seat should be replaced immediately.

We hope you have a safe and enjoyable time using the Camelot Playset(MPS035) and has been certified by an independent laboratory.

0-3

SWING SLIDE CLIMB
Customer Support: (03) 9786 0055

