

# Squareline Plus Sink Range

## Single & Double Bowl Kitchen Sinks



**Double Bowl Sink  
Undermount Installation**

### Superior quality meets modern design

A well-crafted sink remains a joy to use long after installation and even during the most mundane of tasks. Squareline Plus sinks by Everhard make that feeling last.

The Squareline Plus Kitchen Sink range now includes single and double bowl models, ideal for both undermount and top mount installation to complement your choice of benchtop and elevate your kitchen design.

Handmade from 1mm thick stainless steel with a brushed finish, generous bowl capacities, 90mm basket wastes and suitability for garbage disposal units, Squareline Plus sinks offer the chef of the home practicality and durability. From cleaning vegetables to clearing the dishes, the Squareline Plus Kitchen Sink range creates a new standard for the meal preparation area. These sleek, contemporary sinks feature 10mm radius internal corners to allow for easy cleaning while the strong lines act as a focal point within the room – without compromising on functionality.

The Squareline Plus double bowl model can also be supplied with an optional wooden chopping board and colander.

The Squareline Plus Kitchen Sink range comes with a 25 year Manufacturer's Warranty and is available through your local hardware or plumbing supplies store.

Also available in the Squareline Plus range: 1½ Bowl, Single Bowl and Drainer, 1½ Bowl and Drainer, and Utility Sinks with Overflow.

For more information visit: [www.everhard.com.au](http://www.everhard.com.au)



**Double Bowl Sink  
Top Mount Installation**



**Squareline Plus Sink features:**

- Handmade from 1mm thick 304 stainless steel
- Can be top mounted or undermounted
- Brushed Finish
- Internal corners have a 10mm radius
- Bench fixing clips
- Foam seal for top mount applications
- 90mm basket wastes
- Suitable for garbage disposal units

**A. Squareline Plus Single Bowl Sink**

Bowl capacity: 28L  
 Product code: 73178  
 Dimensions: 460 x 400mm, 200mm deep  
 Cut out sizes:  
 Top mount: 426 x 366mm  
 Undermount: 410 x 350mm

**B. Squareline Plus Double Bowl Sink**

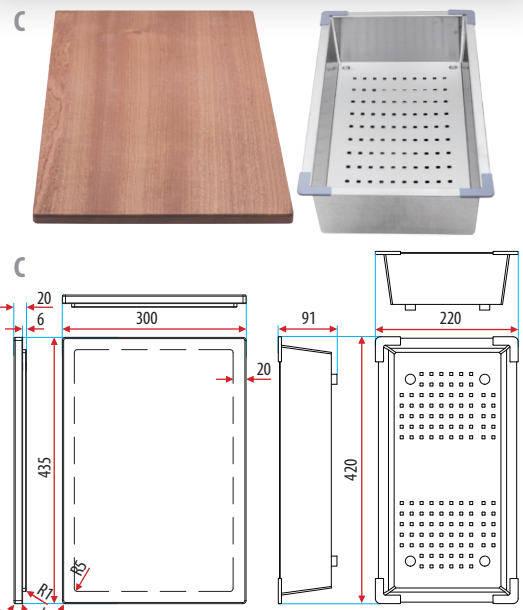
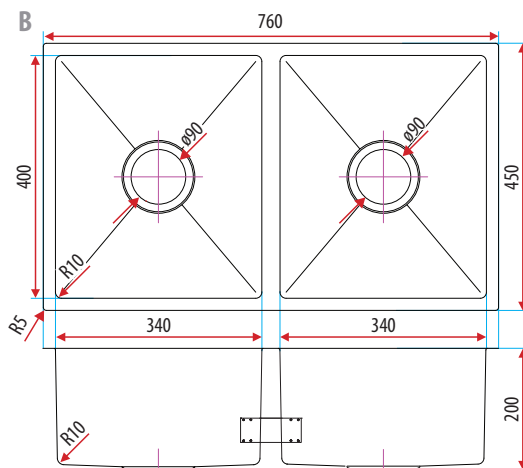
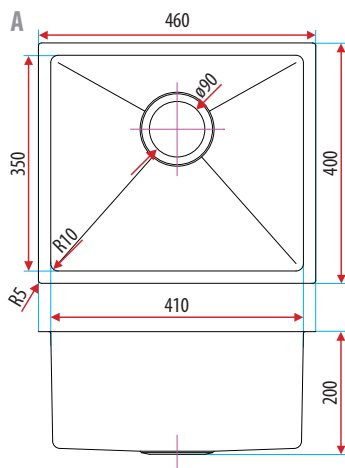
Bowl capacity: 2 x 27L  
 Product code: 73179  
 Dimensions: 760 x 450mm, 200mm deep  
 Cut out size:  
 Top mount: 726 x 415mm  
 Undermount: 710 x 400mm

**C. Squareline Plus Accessories**

(Suitable for Squareline Plus Double Bowl Sink - 73179)  
 Wooden Chopping Board and Colander  
 Product code: 97942

**Manufacturer's Warranty**

Stainless steel sink: 25 years  
 Plug and wastes: 1 year  
 Accessories: 1 year



Disclaimer: While every care has been exercised in compiling and publishing the data contained in these pages, Everhard accepts no responsibility for errors or omissions and all information is believed to be correct at the time of production. All colours have been reproduced with as much accuracy as possible. Dimensions and volumes are nominal. Please check the exact product measurements prior to beginning installation. Everhard reserves the right to delete or alter items without notice. Further information on warranties is available at [www.everhard.com.au](http://www.everhard.com.au)

APR16