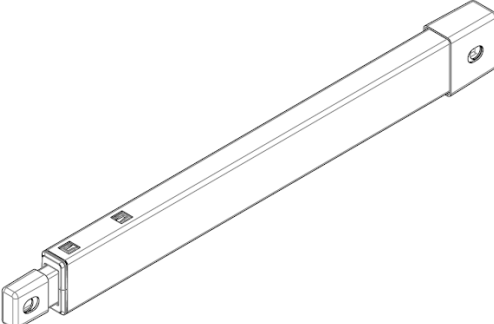
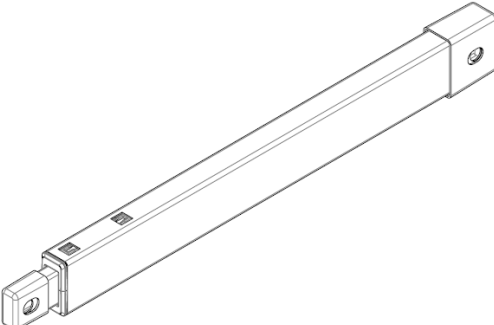
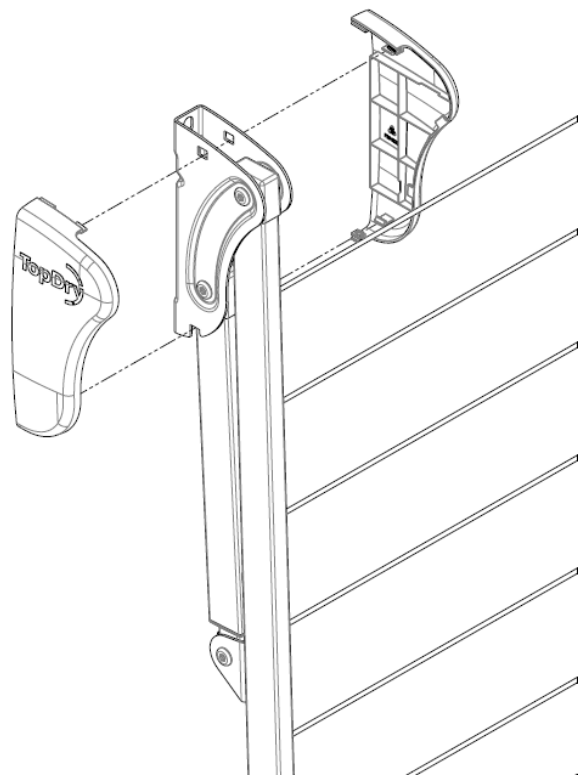


TOPDRY Folding Frame – Strut Replacement Installation Instructions

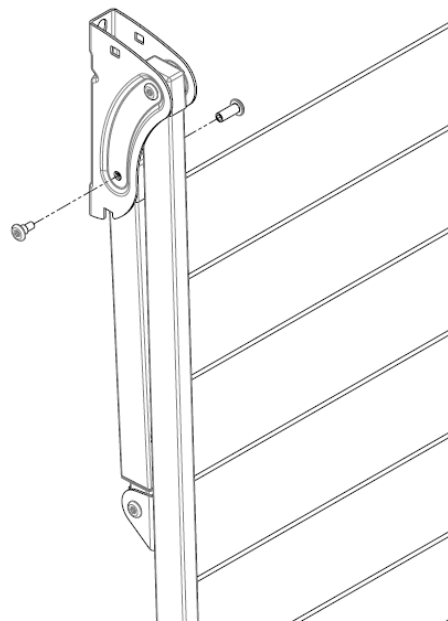
Parts List

AD05512	Strut Assembly - Smoke	
AD05513	Strut Assembly - Slate	

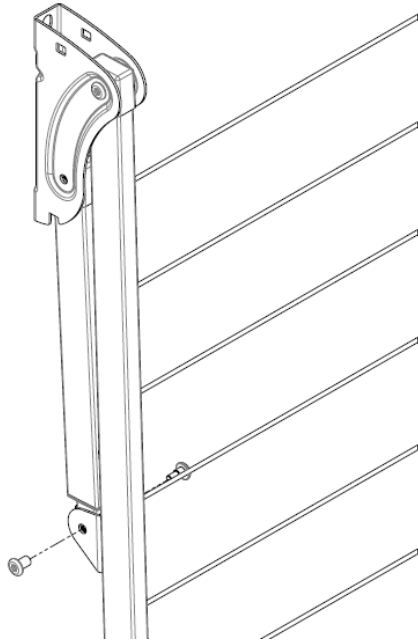
Remove the Strut to be Replaced



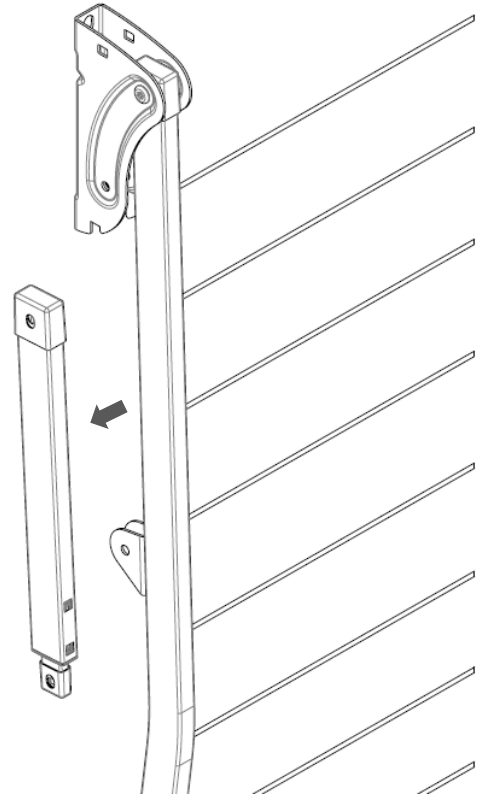
1. Unclip the two plastic covers



2. With the frame folded. Remove the screws securing the Strut to the Wall Bracket using two 5mm hex keys

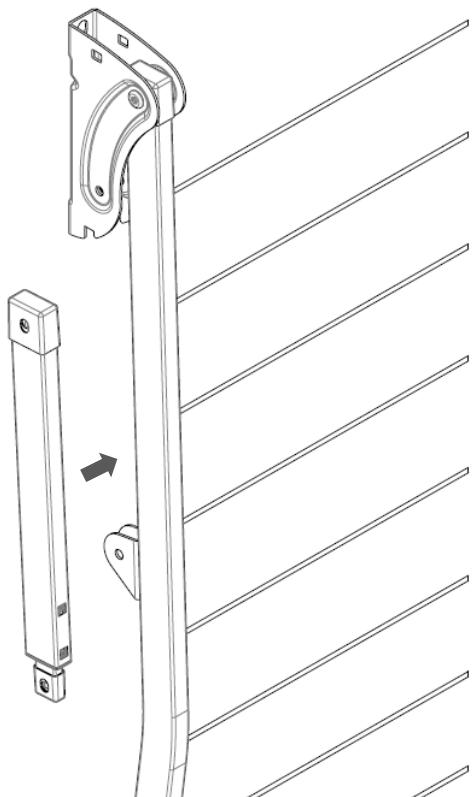


3. Remove the screws securing the Strut to Arm using two 5mm hex keys.

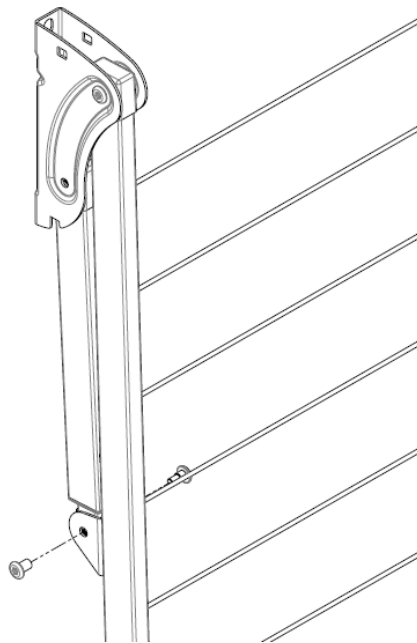


4. Remove the Strut.

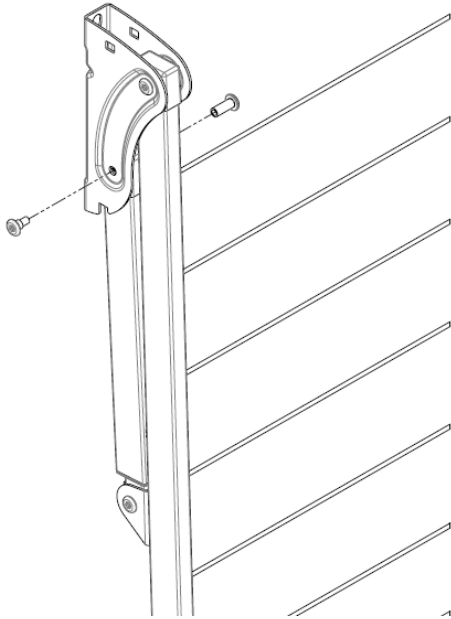
Fit the replacement strut



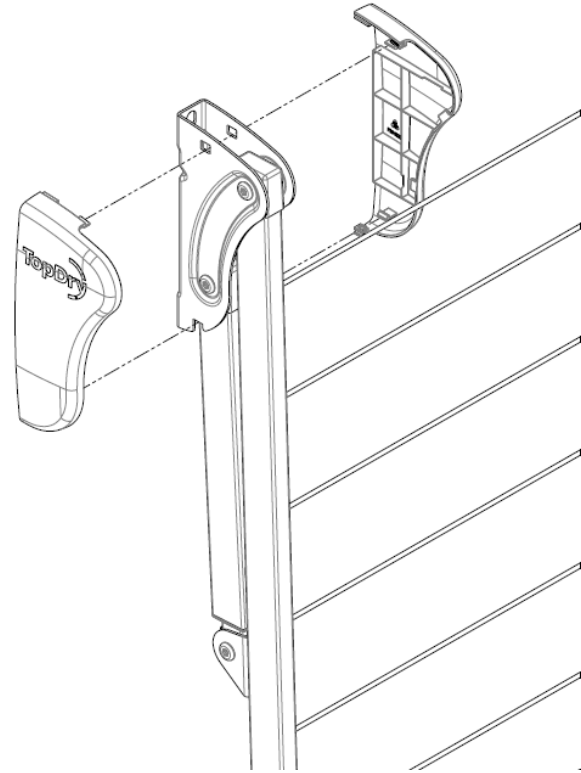
1. Position the new Strut



2. Assemble and tighten the screws securing the Strut to the Arm



3. Assemble and tighten the screws securing the Strut to Wall Bracket



4. Clip the plastic covers into position.