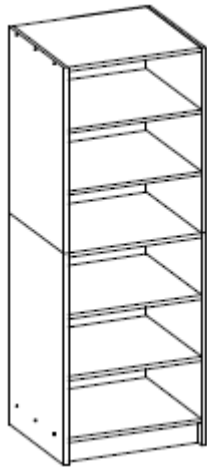
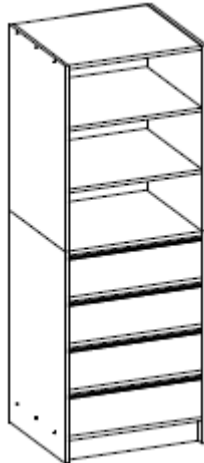


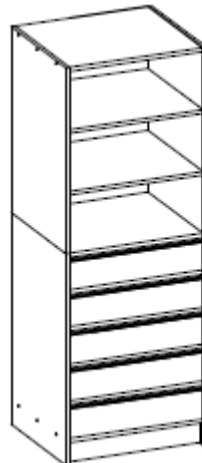
ASSEMBLY INSTRUCTIONS FOR EXECUTIVE SERIES



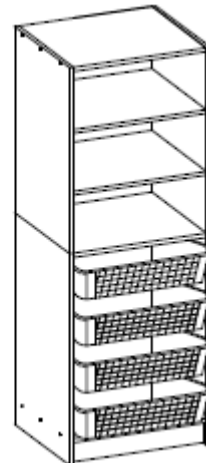
EXC-SHELF



EXC-4J



EXC-5C



EXC-4B

Side Gables " BOTTOM SECTION " **A** & **E** = 1035 X 445 X 16

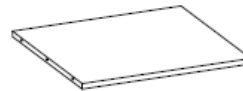
Side Gables " TOP SECTION " **G** & **I** = 965 X 445 X 16

TOP, BOTTOM & MIDDLE FIXED SHELVES.

1 X TOP **H** = 575 X 443 X 16

1 X MIDDLE **D** = 575 X 443 X 16

1 X BOTTOM **C** = 575 X 443 X 16



ADJUSTABLE SHELVES **K** - 2 X 575 X 443 X 16



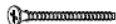




KICK BOARD **B** - 1 X 575 X 61 X 16

BACK PANELS - 1 X TOP **J** = 973 X 605 X 3mm

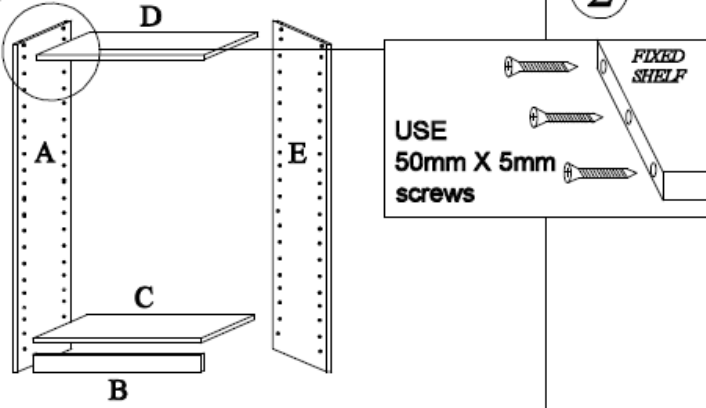
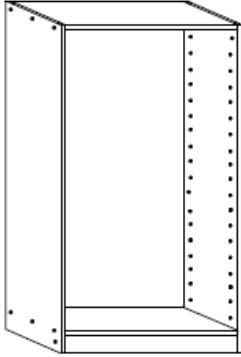
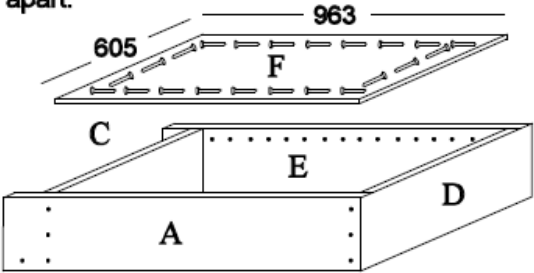
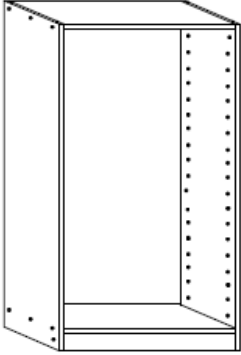
1 X BOTTOM **F** = 963 X 605 X 3mm



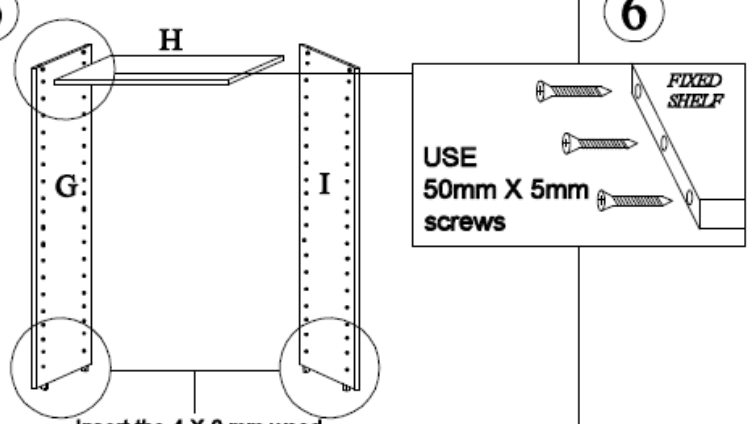
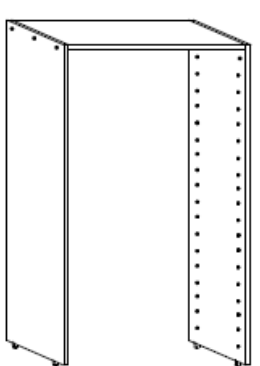
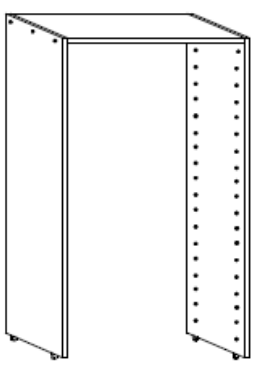
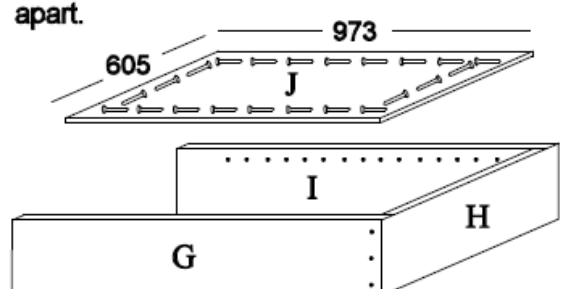
HARDWARE LIST

NO.	MODEL	DESCRIPTION	QTY
1.		M50 X 5mm CONFIRMAT SCREWS	20
2.		WHITE COVER CAPS	20
3.		BACKING NAILS	75
4.		SHELF SUPPORT PINS	16
5.		DOWELS	4

ASSEMBLY INSTRUCTIONS FOR EXECUTIVE SERIES (BOTTOM SECTION)

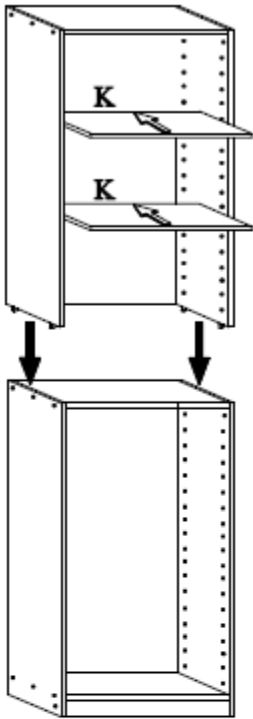
<p>1</p> 	<p>2</p> 
<p>3</p> <p>Fixing of the Backing Panel F 963 x 605</p> <p>1. Place unit face down on the floor.</p> <p>IMPORTANT</p> <p>2. To ensure that the side gables A & E remain straight, start by placing the back panel F flush with the bottom of fixed shelf C keeping in the centre of side gables A & E nail (tack) at each side. Then keeping the back PARALLEL to the side gables nail (tack) the middle of each side, then the top, check measure the top middle and bottom are the same measurement, adjust if necessary! If ok, continue by placing nails approx 100mm apart.</p>  <p><i>Back View</i></p>	<p>4</p>  <p><i>Bottom Section Complete</i></p>

ASSEMBLY INSTRUCTIONS FOR EXECUTIVE SERIES (TOP SECTION)

<p>5</p>  <p>Insert the 4 X 8 mm wood dowels with wood glue.</p>	<p>6</p> 
<p>7</p> <p>Fixing of the Backing Panel J 973 x 605</p> <p>1. Place unit face down on the floor.</p> <p>IMPORTANT</p> <p>2. To ensure that the side gables G & I remain straight, start by placing the back panel J flush with the top of fixed shelf H keeping in the centre of side gables G & I nail (tack) at each side. Then keeping the back PARALLEL to the side gables nail (tack) the middle of each side, then the top, check measure the top middle and bottom are the same measurement, adjust if necessary! If ok, continue by placing nails approx 100mm apart.</p>	<p>8</p>  <p><i>Top Section Complete</i></p>
 <p><i>Back View</i></p>	

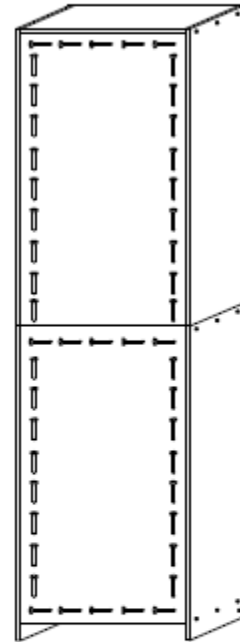
ASSEMBLY INSTRUCTIONS FOR EXECUTIVE SERIES (JOINING TOP & BOTTOM SECTIONS TOGETHER)

9



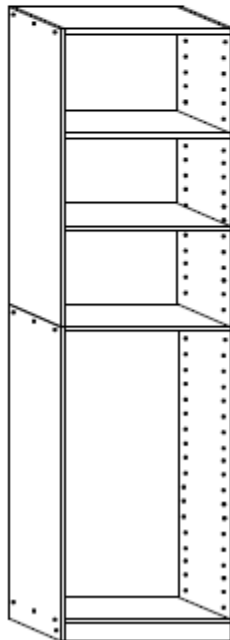
1. Place the top section over the bottom section aligning the 4 x dowels with the 8 mm holes, add some wood glue & push down firmly. Complete the nailing of the backs to shelf D. While standing in the upright position.

11



BACK VIEW

10



COMPLETED

IMPORTANT

* FOR THE ASSEMBLY & PLACEMENT OF DRAWERS & BASKETS PLEASE REFER TO INSTRUCTIONS ENCLOSED IN THE CARTON MARKED- PART 2

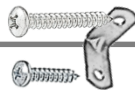


WARNING:

Serious injury or death can be caused by toppling furniture

Help prevent tip-over:

- Anchor this product to a wall or other suitable surface
- Check anchors regularly
- Avoid placing TVs on top unless the TV is also anchored
- Use drawer locks to prevent children climbing

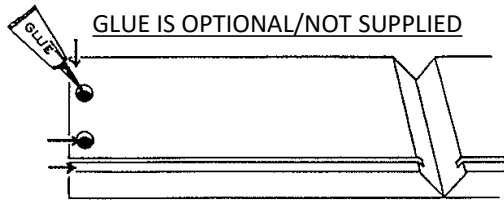


TOP of UNIT

When attaching unit to wall put safety bracket in middle of unit with 16mm pan head screw then 25mm pan head screw into wall. For plasterboard without a stud it is recommended to use a plug with screw (not provided).

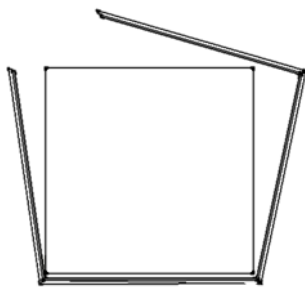
ASSEMBLY INSTRUCTIONS FOR DRAWER BOX AND METAL RUNNER

STEP 1.



CAREFULLY REMOVE DRAWERS FROM THE CARTON AND LAY FLAT ON THE FLOOR. PLACE A FEW DROPS OF WOOD GLUE (NOT SUPPLIED) IN DOWEL HOLES AND V JOINTS (REFER DIAGRAM)

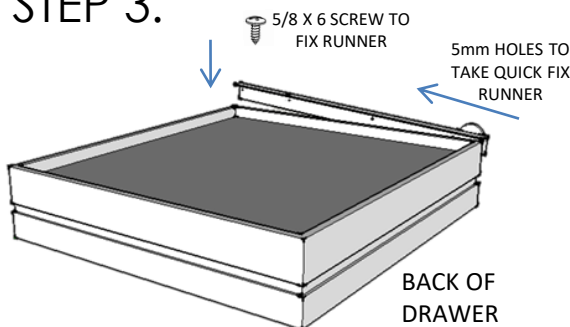
STEP 2.



DRAWER BOTTOM

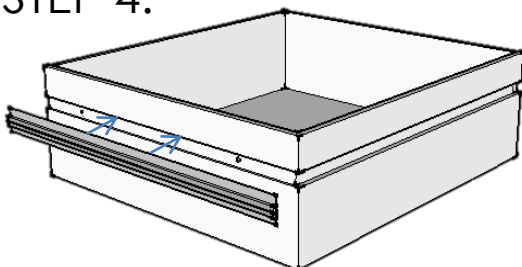
PLACE THE DRAWER BOTTOM INTO GROOVE ON THE DRAWER WITH THE WHITE SIDE TO THE TOP OF THE DRAWER. GENTLY FOLD THE REMAINING SIDES AROUND THE DRAWER BOTTOM UNTIL DOWELS ARE ALIGNED WITH HOLES, PUSH DOWN FIRMLY AND WIPE OFF ANY EXCESS GLUE FROM JOINTS.

STEP 3.



TURN DRAWER BOX UPSIDE DOWN. TAKE RUNNER, INSERT THE TAB INTO 5mm HOLE IN BACK OF DRAWER PUSH FORWARD AND THEN PUSH DOWN SO THE FRONT OF THE TAB WILL ALIGN WITH 5mm HOLES IN THE FRONT OF THE DRAWER ONCE FIRMLY IN PLACE USE 5/8 X 6 SCREWS PROVIDED TO FIX RUNNER.

STEP 4.



BY USING THE 12mm X 5mm BOLT SUPPLIED INSERT INTO 5mm PRE-DRILLED HOLES IN FRONT OF DRAWER. ALIGN THE ALUMINIUM HANDLE WITH ONE END OF THE DRAWER AND TIGHTEN SCREW. DO THE SAME FOR THE OTHER END. DO NOT OVER TIGHTEN SCREWS.