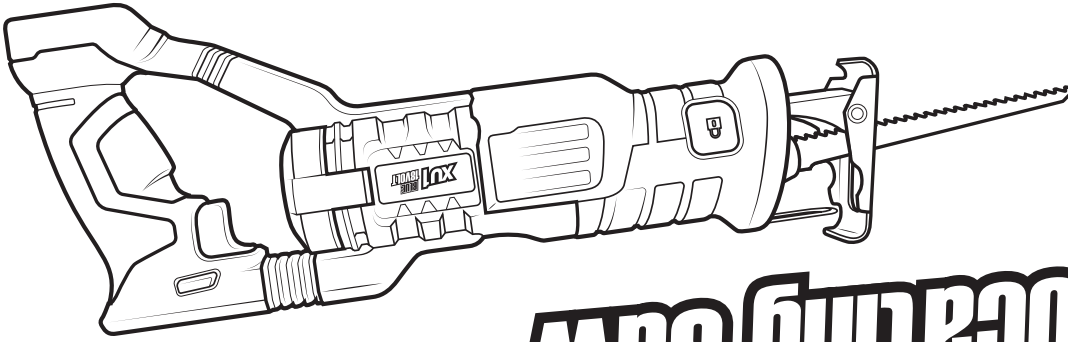


REPLACEMENT WARRANTY
12 MONTHS HOME USE

Operating Instructions
XLRSS-018



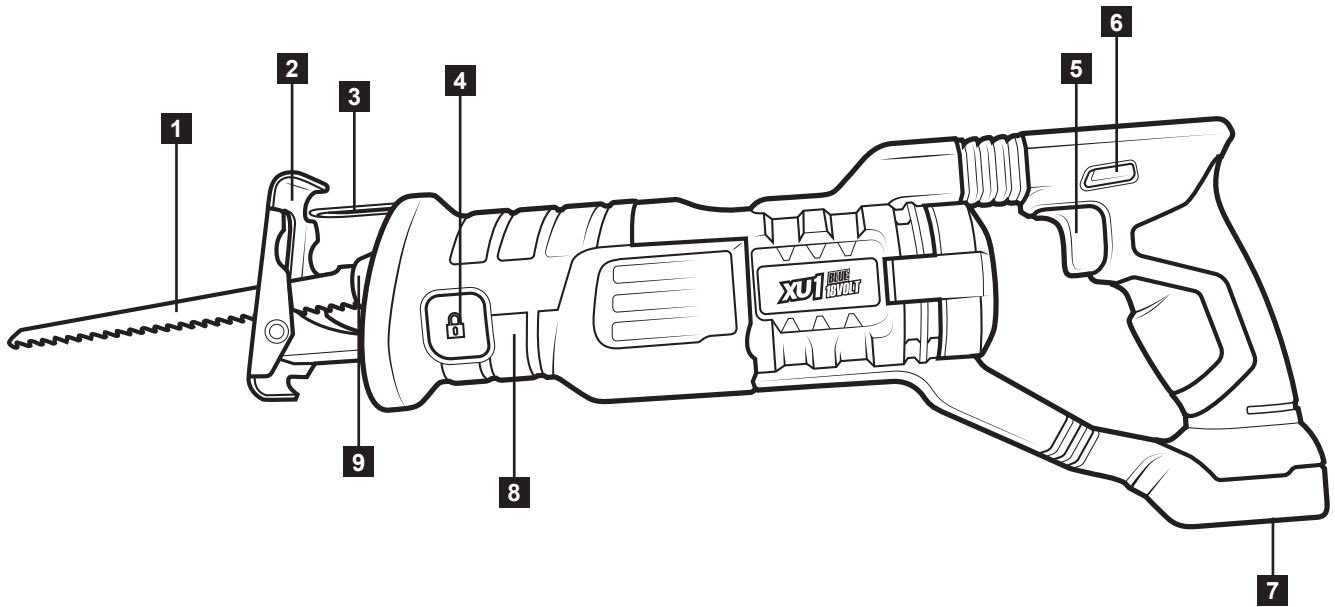
18V
Cordless
Reciprocating Saw

BLUE
XU1
18VOLT

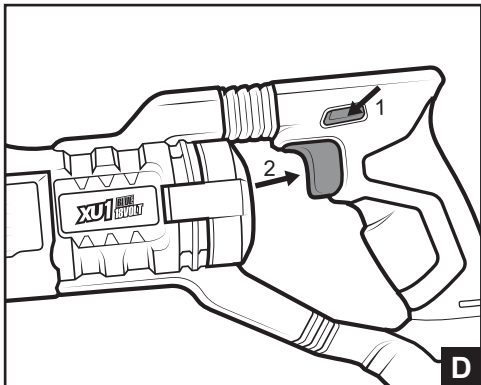
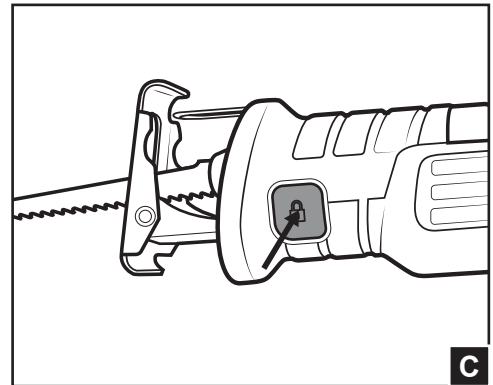
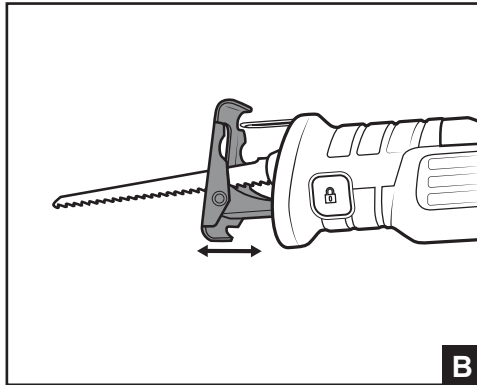
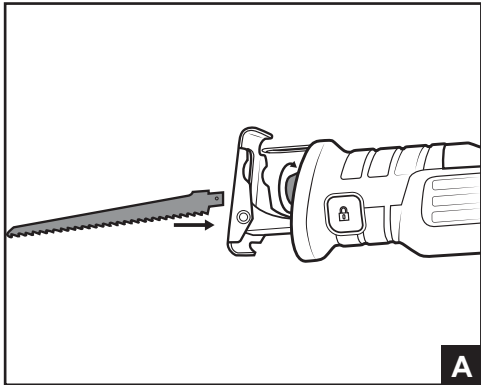
XU1 Power tools

1-23 Letcon Drive, Bangholme, Victoria, Australia 3175

Telephone: 1800 069 486



- | | | |
|----------------------------|--------------------------|----------------|
| 1 Timber Cutting Blade | 4 Pivoting Shoe Lock | 7 Battery Seat |
| 2 Adjustable Pivoting Shoe | 5 Variable Speed Trigger | 8 Front Grip |
| 3 Finger Safety Guard | 6 Safety Lock-Off Button | 9 Blade Holder |



SPECIFICATIONS

Voltage:	18V
No Load Speed:	0-2,800/min
Stroke Length:	22mm
Blade Fitment:	Tool-Free
Tool Weight:	1.735kg

PROPER USE

This tool is intended for use in a DIY (Do It Yourself) context or for hobbyist purposes. It is not built for continuous daily use in a trade or professional capacity.

Before using the machine, carefully read these instructions, especially the safety rules to help ensure that your machine always operates properly.

Before attempting to operate the machine, familiarise yourself with the controls and make sure you know how to stop the machine quickly in an emergency.

Save these instructions and the other documents supplied with this machine for future reference.

SETUP



WARNING! Ensure the tool is turned off and disconnected from the power supply before performing any of the following operations.

Selecting the Correct Saw Blade

Before installing a blade, remove any debris and foreign matter adhering to the blade and within the blade holder. Failure to do so may prevent the blade from being properly secured and dislodging during use, resulting in a serious injury.

Reciprocating saw blades come in a variety of sizes, materials and tooth designs, according to the applications for which they are best suited.

Before purchasing new blades, please check on the blade packaging for the suitability of the blade for the job at hand.

Blade Installation



WARNING! Blades are sharp. Use gloves to avoid accidentally cutting yourself.

1. With two fingers, rotate the Blade Holder anti-clockwise.
2. Insert the blade with your other hand while keeping the Blade Holder rotated. **Fig. A**

NOTE: Generally the teeth of the blade should face towards the bottom of the saw, but the blade can be reversed so the teeth face upwards if the application requires it.

3. Release the Blade Holder when the blade is in position. This locks the blade in the Blade Holder.
4. Check if the blade is correctly fitted by pulling on

the blade to see if it can be removed. If it cannot be extracted, the blade has been fitted correctly.



WARNING! If the blade is not properly secured it may be ejected unexpectedly during operation. This could potentially cause serious personal injury or injury to others. Always ensure the blade is secured properly before beginning operation.

Blade Removal



WARNING! Blades can become hot after use! Allow the blade to rest before attempting to remove the blade from the blade holder.

1. With two fingers, rotate the Blade Holder anti-clockwise.
2. Remove the blade with your other hand while keeping the Blade Holder rotated.

CONTROLS

Adjusting the Pivoting Shoe

If the blade loses its cutting efficiency in one place along the cutting edge, it is possible to reposition the adjustable pivoting shoe so as to utilise a sharper, unused portion of the blade. This will help to lengthen the life of the blade.

1. Press the Pivoting Shoe Lock with the open lock symbol inwards.
2. Slide the Pivoting Shoe to reposition into the desired location. **Fig. B**
3. Press the Pivoting Shoe Lock with the closed lock symbol to secure the Pivoting Shoe in place. **Fig. C**

Variable Speed Trigger

This reciprocating saw comes with a safety Lock-Off Button that prevents the tool from accidental starting.

1. To turn the saw on, press and hold the Lock-Off Button. **Fig. D**
2. Squeeze the Variable Speed Trigger to turn the saw on. You may now release the Lock-Off Button. **Fig. D**
2. To turn the saw off, release the Variable Speed Trigger.

OPERATION

Cutting Procedure

1. Press the adjustable pivoting shoe firmly against the work piece without allowing the blade to make contact.
2. Press and hold the Lock-Off Button, then the Variable Speed Trigger to start the reciprocating saw and gently apply downward force to begin cutting.
3. When you have finished cutting, release the Variable Speed Trigger to stop the saw.

NOTE: When cutting metal, always use a suitable coolant such as cutting oil to prevent premature blade wear.



WARNING! During operation, always press the adjustable pivoting shoe firmly against the work piece. If the shoe is held away from the work piece during operation, strong vibration and/or kickback may occur, causing the blade to snap and creating danger for the operator and others in the vicinity.

NOTE: To achieve a secure hold of the saw during operation always hold the front grip and the operating handle at the same time..

MAINTENANCE



WARNING! Ensure the tool is turned off and disconnected from the power supply before performing any of the following operations.

Cleaning

Your tool has been designed to operate over a long period of time with a minimum of maintenance. That said, continuous satisfactory operation depends upon proper tool care and regular cleaning.

1. Regularly clean the ventilation channels in the tool using a soft brush or cloth.
2. Keep ventilation slots of the tool clean at all times. If possible prevent foreign matter from entering the vents. After each use, blow air through the tool housing to ensure it is free from all dust particles that may build up.



WARNING! Excessive build up of dust particles may cause the tool to overheat and fail.

3. If the enclosure of the tool requires cleaning, use a soft, damp cloth only. Do not use solvents or abrasive cleaners..



WARNING! Never immerse any part of the tool in liquid.

NOTE: XU1 will not be responsible for any damage or injuries caused by the repair of a tool by an unauthorised person or by mishandling of the tool.

WARRANTY

YOUR WARRANTY FORM SHOULD BE RETAINED BY YOU AT ALL TIMES. IN ORDER TO MAKE A CLAIM UNDER THIS WARRANTY YOU MUST RETURN THE PRODUCT TO YOUR NEAREST BUNNINGS WAREHOUSE WITH YOUR BUNNINGS REGISTER RECEIPT. PRIOR TO RETURNING YOUR PRODUCT FOR WARRANTY. PLEASE TELEPHONE OUR CUSTOMER SERVICE HELPLINE:

Australia 1800 069 486

New Zealand 0508 069 486

TO ENSURE A SPEEDY RESPONSE PLEASE HAVE THE MODEL NUMBER AND DATE OF PURCHASE AVAILABLE. A CUSTOMER SERVICE REPRESENTATIVE WILL TAKE YOUR CALL AND ANSWER ANY QUESTIONS YOU MAY HAVE RELATING TO THE WARRANTY POLICY OR PROCEDURE.

The benefits provided under this warranty are in addition to other rights and remedies which are available to you at law.

Our goods come with guarantees that cannot be excluded at law. You are entitled to a replacement or refund for a major failure and for compensation for any other reasonably foreseeable loss or damage. You are also entitled to have the goods repaired or replaced if the goods fail to be of acceptable quality and the failure does not amount to a major failure.

Generally you will be responsible for all costs associated with a claim under this warranty, however, where you have suffered any additional direct loss as a result of a defective product you may be able to claim such expenses by contacting our customer service helpline above.

1 YEAR REPLACEMENT WARRANTY

Your product is guaranteed for a period of 12 months from the original date of purchase and is intended for DIY (Do It Yourself) use only. If a product is defective it will be replaced in accordance with the terms of this warranty. Warranty excludes consumable parts, for example: driver bits.

WARNING

The following actions will result in the warranty being void.

- Professional, Industrial or high frequency use.
- If the tool has been operated on a supply voltage other than that specified on the tool.
- If the tool shows signs of damage or defects caused by or resulting from abuse, accidents or alterations.
- Failure to perform maintenance as set out within the instruction manual.
- If the tool is disassembled or tampered with in any way.

XU1

Australia/New Zealand (Head Office)

1-23 Letcon Drive, Bangholme, Victoria, Australia 3175

SAFETY INSTRUCTIONS

DESCRIPTION OF SYMBOLS



Read instruction manual



Wear eye, breathing and hearing protection



Warning



Regulatory Compliance Mark (RCM)

CARING FOR THE ENVIRONMENT



Power tools that are no longer usable should not be disposed of with household waste but in an environmentally friendly way. Please recycle where facilities exist. Check with your local council authority for recycling advice.



Recycling packaging reduces the need for landfill and raw materials. Reuse of recycled material decreases pollution in the environment. Please recycle packaging where facilities exist.

Check with your local council authority for recycling advice.

GENERAL POWER TOOL SAFETY WARNINGS



WARNING! Read all safety warnings and all instructions. Failure to follow the warnings and instructions may result in electric shock, fire and/or serious injury.

Save all warnings and instructions for future reference. The term "power tool" in all of the warnings refers to your mains-operated (corded) power tool or battery-operated (cordless) power tool.

1) Work area safety

- a) **Keep work area clean and well lit.** Cluttered and dark areas invite accidents.
- b) **Do not operate power tools in explosive atmospheres, such as in the presence of flammable liquids, gases or dust.** Power tools create sparks which may ignite the dust or fumes.
- c) **Keep children and bystanders away while operating a power tool.** Distractions can cause you to lose control.

2) Electrical safety

- a) **Power tool plugs must match the outlet. Never modify the plug in any way. Do not use any adapter plugs with earthed (grounded) power tools.** Unmodified plugs and matching outlets will reduce risk of electric shock.
- b) **Avoid body contact with earthed or grounded surfaces such as pipes, radiators, ranges and refrigerators.** There is an increased risk of electric shock if your body is earthed or grounded.
- c) **Do not expose power tools to rain or wet conditions.** Water entering a power tool will increase the risk of electric shock.
- d) **Do not abuse the cord. Never use the cord for carrying, pulling or unplugging the power tool. Keep cord away from heat, oil, sharp edges or moving parts.** Damaged or entangled cords increase the risk of electric shock.
- e) **When operating a power tool outdoors, use an extension cord suitable for outdoor use.** Use of a cord suitable for outdoor use reduces the risk of electric shock.

3) Personal safety

- a) **Stay alert, watch what you are doing and use common sense when operating a power tool. Do not use a power tool while drugs, alcohol or medication.** A moment of inattention while operating power tools may result in serious personal injury.
- b) **Use personal protective equipment. Always wear eye protection.** Personal protective equipment such as dust mask, non-skid safety shoes, hard hat, or hearing protection used for appropriate conditions will reduce personal injuries.
- c) **Prevent unintentional starting. Ensure the switch is in the off-position before connecting to power source and/or battery pack, picking up or carrying the tool.** Carrying power tools with your finger on the switch or energising power tools that have the switch on invites accidents.
- d) **Remove any adjusting key or wrench before turning the power tool on.** A wrench

or a key left attached to a rotating part of the power tool may result in personal injury.

- e) **Do not overreach. Keep proper footing and balance at all times.** This enables better control of the power tool in unexpected situations.
 - f) **Dress properly. Do not wear loose clothing or jewellery. Keep your hair, clothing and gloves away from moving parts.** Loose clothes, jewellery or long hair can be caught in moving parts.
 - g) **If devices are provided for the connection of dust extraction and collection facilities, ensure these are connected and properly used.** Use of dust collection can reduce dust-related hazards.
 - h) **Do not let familiarity gained from frequent use of tools allow you to become complacent and ignore tool safety principles.** A careless action can cause severe injury within a fraction of a second.
- ### 4) Power tool use and care
- a) **Do not force the power tool. Use the correct power tool for your application.** The correct power tool will do the job better and safer at the rate for which it was designed.
 - b) **Do not use the power tool if the switch does not turn it on and off.** Any power tool that cannot be controlled with the switch is dangerous and must be repaired.
 - c) **Disconnect the plug from the power source and/or the battery pack from the power tool before making any adjustments, changing accessories, or storing power tools.** Such preventive safety measures reduce the risk of starting the power tool accidentally.
 - d) **Store idle power tools out of the reach of children and do not allow persons unfamiliar with the power tool or these instructions to operate the power tool.** Power tools are dangerous in the hands of untrained users.
 - e) **Maintain power tools. Check for misalignment or binding of moving parts, breakage of parts and any other condition that may affect the power tools operation. If damaged, have the power tool repaired before use.** Many accidents are caused by poorly maintained power tools.
 - f) **Keep cutting tools sharp and clean.** Properly maintained cutting tools with sharp cutting edges are less likely to bind and are easier to control.
 - g) **Use the power tool, accessories and tool bits etc. in accordance with these instructions and in the manner intended for the particular type of power tool, taking into account the working conditions and the work to be performed.** Use of the power tool for operations different from those intended could result in a hazardous situation.
 - h) **Keep handles and grasping surfaces dry, clean and free from oil and grease.** Slippery handles and grasping surfaces do not allow for safe handling and control of the tool in unexpected situations.
- ### 5) Service
- a) **Have your power tool serviced by a qualified repair person using only identical replacement parts.** This will ensure that the safety of the power tool is maintained.

ADDITIONAL SAFETY WARNINGS FOR RECIPROCATING SAWS



WARNING! This appliance is not intended for use by persons (including children) with reduced physical, sensory or mental capabilities, or lack of experience and knowledge, unless they have been given supervision or instruction concerning use of the appliance by a person responsible for their safety.

Young children should be supervised to ensure that they do not play with the appliance.

Safety Warnings Specific for Reciprocating Saw Operations:

- a) **Hold power tool by insulated gripping surfaces, when performing an operation where the cutting accessory may contact hidden wiring or its own cord.** Cutting accessory contacting a "live" wire may make exposed metal parts of the power tool "live" and could give the operator an electric shock.
- b) **Check the blade carefully for cracks or damage prior to operation.** Replace cracked or damaged blades immediately.
- c) **Hold the tool firmly during operation. Always hold the adjustable pivoting shoe firmly against the work piece.**
- d) **When making a "blind" cut (you can't see behind what is being cut), be sure that hidden electrical wiring or water pipes are not in the path of the cut.** If wires are present, they must be disconnected at their power source by a qualified person or avoided to prevent the possibility of lethal shock or fire.
- e) **Water pipes in "blind" areas must be drained and capped before cutting.**
- f) **If the blade hits against objects during operation, damage to the tool or dangerous blade breakage may occur.**
- g) **Watch out for cut-off portions** of the work piece being cut. They may fall and cause injury to you or someone near you.
- h) **When cutting metals, be cautious of hot flying debris.**
- i) **Do not touch the blade or the work piece immediately after operation;** they may be extremely hot and could potentially burn your skin.
- j) **If you withdraw the blade from the work piece during operation, a strong reaction could be produced,** which could cause the blade to snap or cause you to lose your grip and/or control of the saw. Always switch off the tool and wait until the blade has come to a complete stop before withdrawing the blade from the work piece.

Safety Warnings Common for Reciprocating Saw Operations:

- a) **Wear a safety helmet, safety glasses and/or face shield.** It is also highly recommended that you wear a dust mask, ear protection and padded gloves.
- b) **Ensure no one is below you when using the tool in elevated conditions.**
- c) **Do not point the tool at anyone in the immediate vicinity.**

WARNING! Some dust created by power sanding, sawing, grinding, drilling and other construction activities contain chemicals known to cause cancer, birth defects or other reproductive harm.

Some examples of these chemicals are:

- Lead from lead-based paints;
- Crystalline silica from bricks, cement and other masonry products, and;
- Arsenic and chromium from chemically-treated timber.

The risk from such exposures vary depending on how often you do this type of work. To reduce your exposure to these chemicals; work in a well ventilated area, and work with approved safety equipment, such as those dust masks that are specifically designed to filter out microscopic particles.