

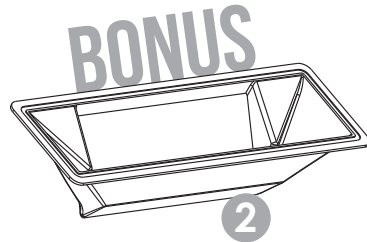


i **icon**
plastics

iconplastics
.com.au

T: 1800 803 236
F: 1800 805 086

Product Code:	000470
APN:	9312703000470
13 Digit Barcode	9312703000470
14 Digit Barcode	19312703000477



INSTALLATION GUIDE

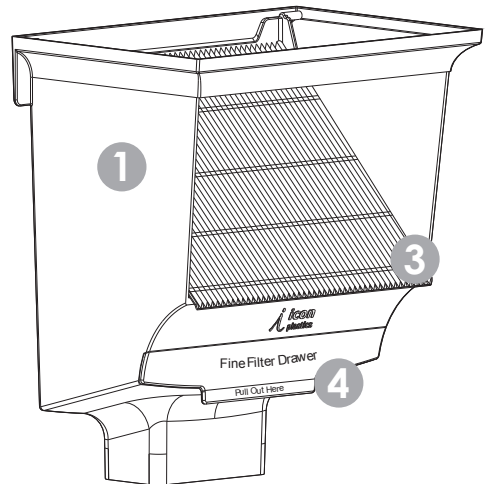
LEAF & DEBRIS CONTROLLER

INCLUDING 300 DROPPER

All technical data and information is correct at the time of printing

FEATURES

- // Stops leaves, debris and mosquitoes entering rainwater systems
- // Can be retrofitted to most systems even those without eaves
- // Fits all common downpipes using Icon Plastics range of adaptors
- // Fine Filter keeps mosquitoes out and pull out drawer means easy cleaning
- // Sturdy RPVC construction means low maintenance and easy cleaning
- // RPVC can be painted to match the colour of any downpipe system



CONTENTS

- 1 x Controller Rainhead
- 1 x Controller Gutter Dropper
- 1 x Main Grille
- 1 x Fine Filter

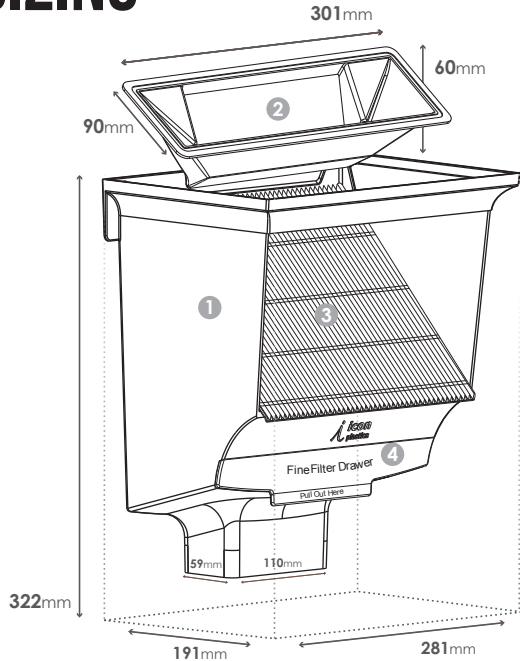
CLEANING AND MAINTENANCE

The RPVC construction means cleaning is as simple as washing the Leaf and Debris Controller with mild soapy water.

The Fine Filter drawer must be regularly removed and cleaned.

Cleaning once a fortnight is recommended.

SIZING



FUNCTION

Reduces water contamination in tanks and reduces blockages in stormwater and downpipes by filtering leaves and debris at the point they enter the system. This also effectively reduces fire risk by moving leaves away from guttering systems.

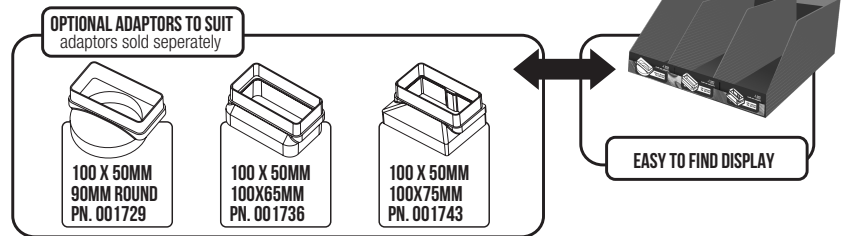
This leaves only water to enter the collection system. The specially-designed dropper directs water flow to the centre of the metal or plastic grill where leaves are dispersed across the width of the grill and prevented from entering the rainwater system. The grill is also designed to break up water surface tension so sheeting will not occur and water will flow more freely into the Rain Head.

The mounting system is designed to suit most situations and means the Leaf and Debris Controller can be mounted on fascia board or directly to a wall if there are no eaves.

The mounting lugs provide a simple and direct method of attaching to the Leaf and Debris Controller to walls or fascia.

ADAPTORS

If required, Icon Plastics has adaptors available to facilitate installation



ALWAYS CONSIDER LOCAL COUNCIL REQUIREMENTS AND HAVE A LICENSED PLUMBER COMPLETE INSTALLATION WHEN REQUIRED