

jumbuck®

MONTH
12
WARRANTY

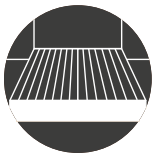
40cm Charcoal Grill & Smoker

With Temperature Gauge

- Powder coated steel bowl & lid
- Chrome cooking grill
- Adjustable air vents
- Enameled coated steel water bowl
- Temperature gauge
- Handles for easy movement
- Assembled size: 425D x 800H mm



Solid Fuel



Cooking Grill



**Adjustable
Side Ventilation**



Jumbuck 40cm Charcoal Grill & Smoker (GEN-31B)

IMPORTANT SAFETY INSTRUCTIONS



- For outdoor use only.
- Improper installation, adjustment, alteration, service or maintenance can cause property damage, injury or death. Read the installation instructions thoroughly before installing this equipment.
- Warning: accessible parts may be very hot. Keep young children away.
- Do not move the appliance during use.
- Any modification of the appliance may be dangerous.
- Installer to leave instructions with the consumer and consumer to retain them for future reference.
- Dispose of all polythene packing carefully and keep out of the reach of children

IMPORTANT: READ THE ASSEMBLY INSTRUCTIONS IN THIS BOOKLET BEFORE REMOVING THE CONTENTS OF THIS CARTON

IMPORTANT SAFETY INSTRUCTIONS



This appliance must only be used in an above ground open-air situation with natural ventilation, without stagnant areas, where products of combustion are rapidly dispersed by wind and natural convection

- This BBQ is an **outdoor appliance only**. Under no circumstances should it be use indoors.
- Do not store chemicals or flammable materials near this appliance.
- Unsupervised children should not be near the BBQ while cooking or during warm up or cool down.
- People with flammable clothing such as nylon etc. should keep well away from the BBQ when it is operating.
- Do not leave food unattended on the SPIT ROASTER.
- Particular care must be taken when removing the ash OR used fuel. Hot ash can cause serious injury.

- | | |
|--------|--|
| DO NOT | OPERATE THIS APPLIANCE BEFORE READING THE INSTRUCTION BOOKLET |
| DO NOT | PLACE ARTICLES ON OR AGAINST THIS APPLIANCE |
| DO NOT | STORE CHEMICALS OR FLAMMABLE MATERIALS OR SPRAY AEROSOLS NEAR THIS APPLIANCE |
| DO NOT | OPERATE THIS APPLIANCE INDOORS |
| DO NOT | ENCLOSE THIS APPLIANCE |
| DO NOT | LIGHT OR OPERATE WITH THE COVER ON(COVER NOT INCLUDED) |

Lighting the BBQ

- solid fuel is to be used for this product (fire wood, charcoal etc.)
- place solid fuel onto the charcoal grid and light using fire starters
- let the solid fuel light (check occasional to ensure fire is lit)
- ensure air vents are in the open position to enable solid fuel to burn
- the air vent on the BBQ can be used regulate the air circulation in the BBQ
- closing the vent will reduce air circulation and in turns reduces heat
- opening the vent will increase air circulation and increases heat

Cooking

- ensure solid fuel is lit and that there is sufficient heat for cooking
- place food on the cooking grill
- regularly monitor temperature to ensure food is not under or over cooked

Cleaning

- once finished cooking, remove left over solid fuel from the BBQ
- always ensure BBQ is clean and free from oil or grease (internally and externally) to ensure longevity of the BBQ
- always keep BBQ dry and under cover to protect from weather and moisture

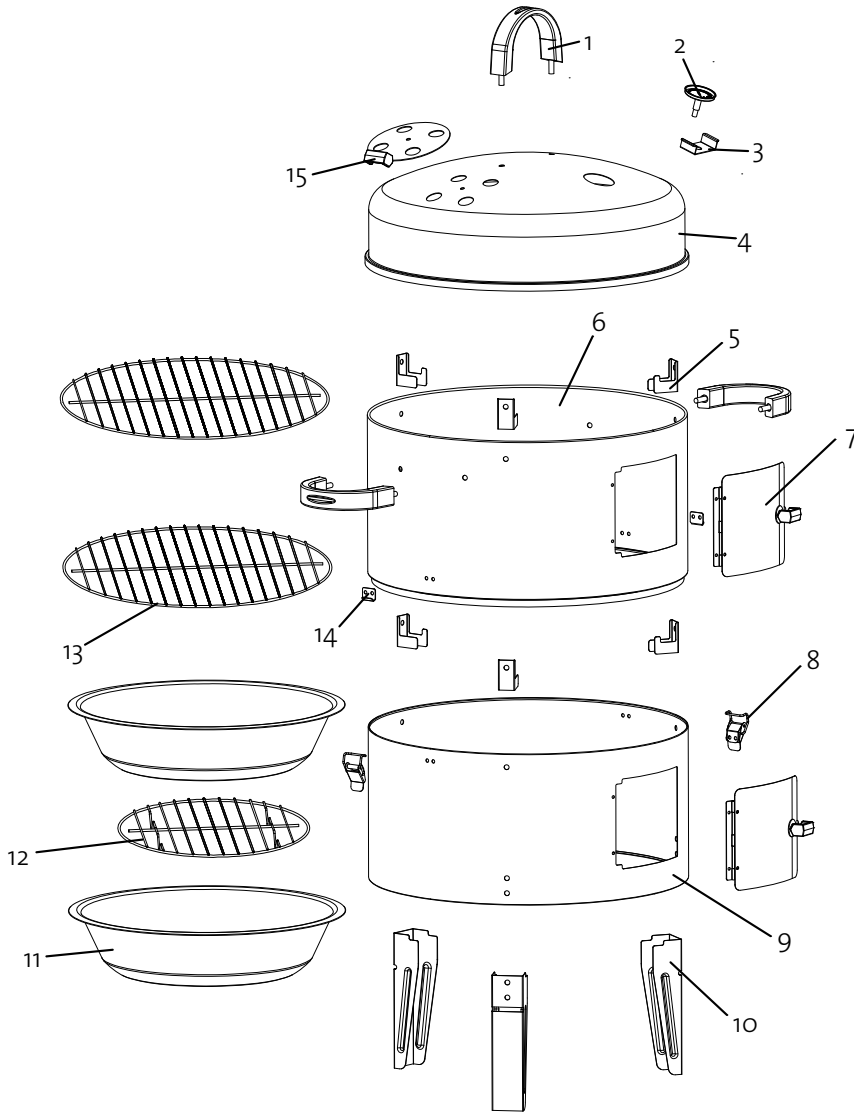
Pre-caution

- always ensure hands are protected when putting or removing food from the BBQ
- always ensure BBQ is cool before touching or cleaning the internal areas
- always ensure hands are protected when making adjustments to the air vent
- do not use flammable liquids for igniting and re-igniting
- open flames and burning embers must never be left unattended
- after use, make sure the BBQ is allowed to cool before moving

Important Notes


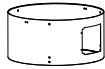

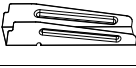
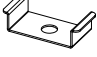



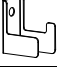

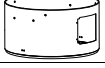

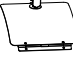

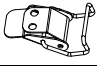
- do not use this BBQ indoors.
- do not use this BBQ inside a tent, gazebo or within a confined space.
- this BBQ will become very hot during and for some time after use. Keep children away from the BBQ and do not touch metal parts of the BBQ when in use
- use suitable gloves for protection, especially when loading the BBQ with coal or charcoal
- we recommend protecting your BBQ when not in use with a cover to protect it from weather exposure

EXPLODED VIEW & PARTS CODE

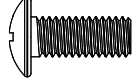
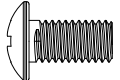

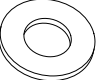


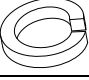
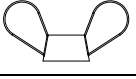
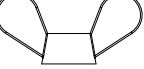


Reference#	Part Name	Parts Code
1	Handle	GEN-31B-01
2	Thermometer	GEN-31B-02
3	Thermometer support	GEN-31B-03
4	Cover	GEN-31B-04
5	Cooking grill support	GEN-31B-05
6	Upper Body	GEN-31B-06
7	Door asm	GEN-31B-07
8	Buckle	GEN-31B-08
9	Lower Body	GEN-31B-09
10	Leg	GEN-31B-10
11	Charcoal & water tray	GEN-31B-11
12	Charcoal grill	GEN-31B-12
13	Cooking grill	GEN-31B-13
14	Buckle plate	GEN-31B-14
15	Air vent	GEN-31B-15

CARTON CONTENTS

Reference#	Description	Part#	Illustration	Quantity	Reference#	Description	Part#	Illustration	Quantity
1	Handle	GEN-31B-01		3	9	Lower body	GEN-31B-09		1
2	Thermometer	GEN-31B-02		1	10	Leg	GEN-31B-10		3
3	Thermometer support	GEN-31B-03		1	11	Charcoal & water tray	GEN-31B-11		2
4	Cover	GEN-31B-04		1	12	Charcoal grill	GEN-31B-12		1
5	Cooking grill support	GEN-31B-05		6	13	Cooking grill	GEN-31B-13		2
6	Upper body	GEN-31B-06		1	14	Buckle plate	GEN-31B-14		2
7	Door asm	GEN-31B-07		2	15	Air vent	GEN-31B-15		1
8	Buckle	GEN-31B-08		2					

HARDWARE PACK CONTENTS

Reference#	Description	Illustration	Quantity
A	Bolt M5x 10mm		13
B	Bolt M4x 8mm		12
C	Flat Washer M5		12
D	Flat Washer M6		6
E	Nut M5		12
F	Nut M4		12
G	Spring Washer M5		1
H	Wing Nut M5		1
I	Wing Nut M6		6

ASSEMBLY INSTRUCTIONS

ASSEMBLY TIPS

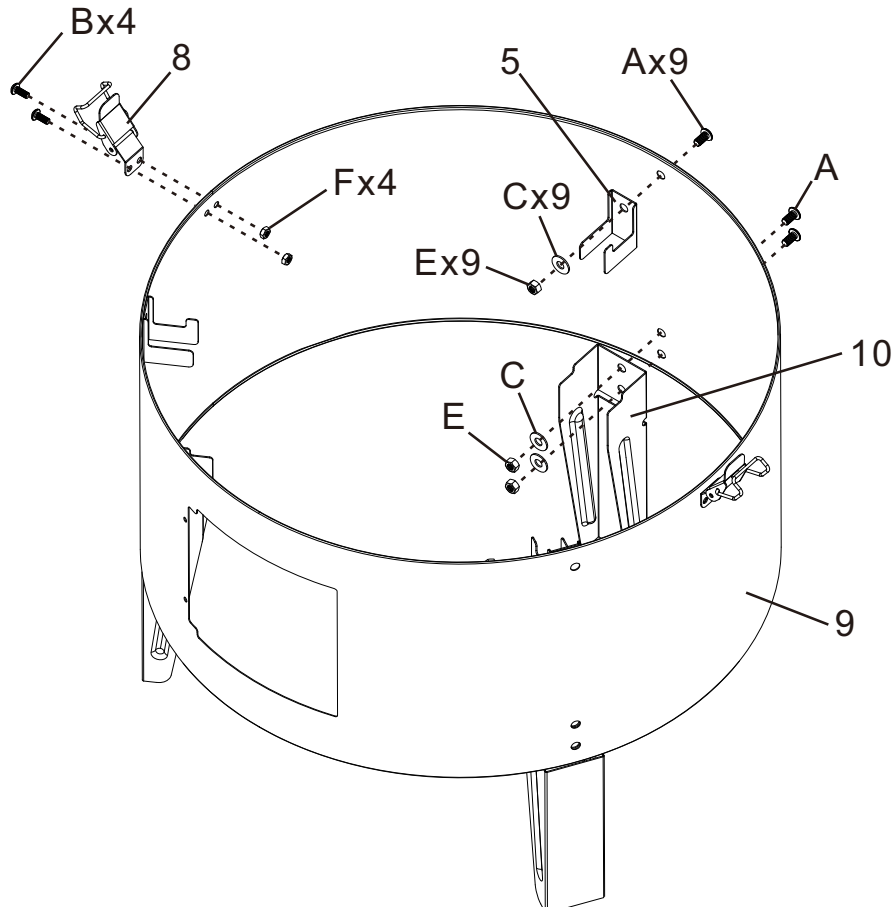
- Remove all contents from packaging, and make sure all the parts are present before attempting to assemble!
- Tighten all bolt connections by hand first.
- When the BBQ is fully assembled, retighten the screws, nuts and bolts by using a wrench and screw driver.

TOOLS REQUIRED

- Philips screwdriver
- Pliers or adjustable spanner

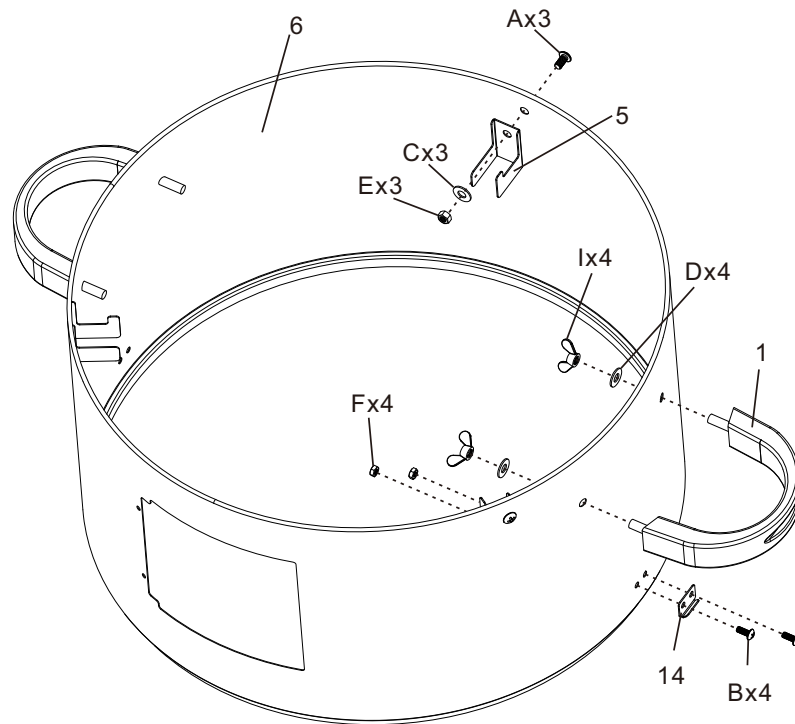
STEP 1

Assemble the legs (part 10), buckles (part 8) and cooking grill supports (part 5) onto the lower body (part 9) as per illustration below.



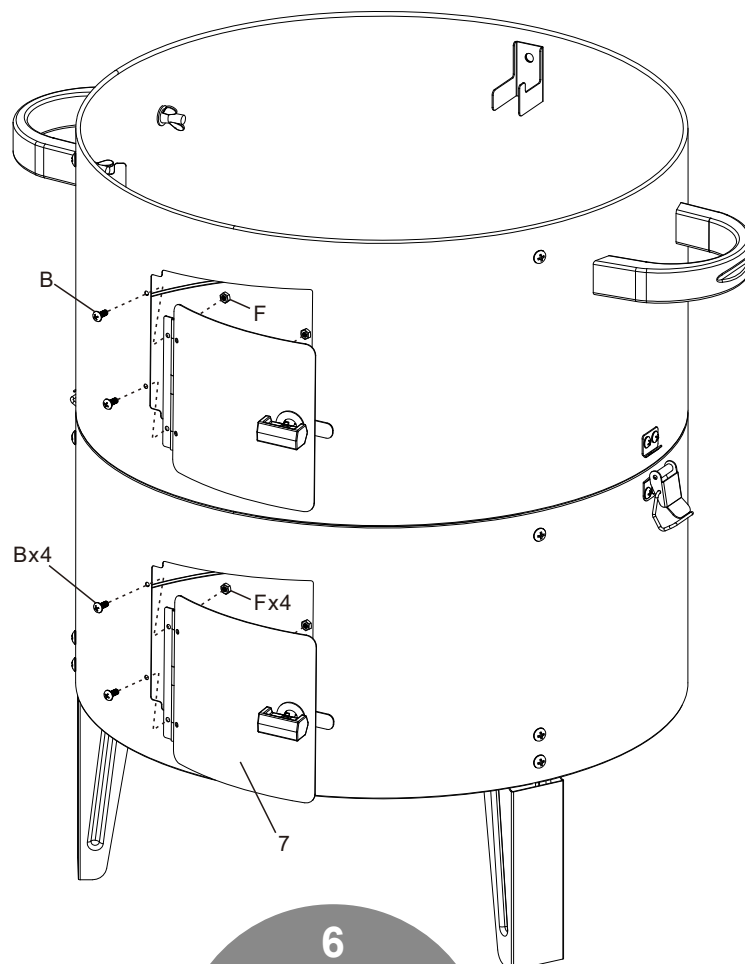
STEP 2

Assemble the handles (part 1), buckle plates (part 14) and cooking grill supports (part 5) onto the upper body (part 6) as per illustration below.



STEP 3

Assemble the door asm (part 7) onto the upper and lower body (part 6 and 9) as per illustration below.

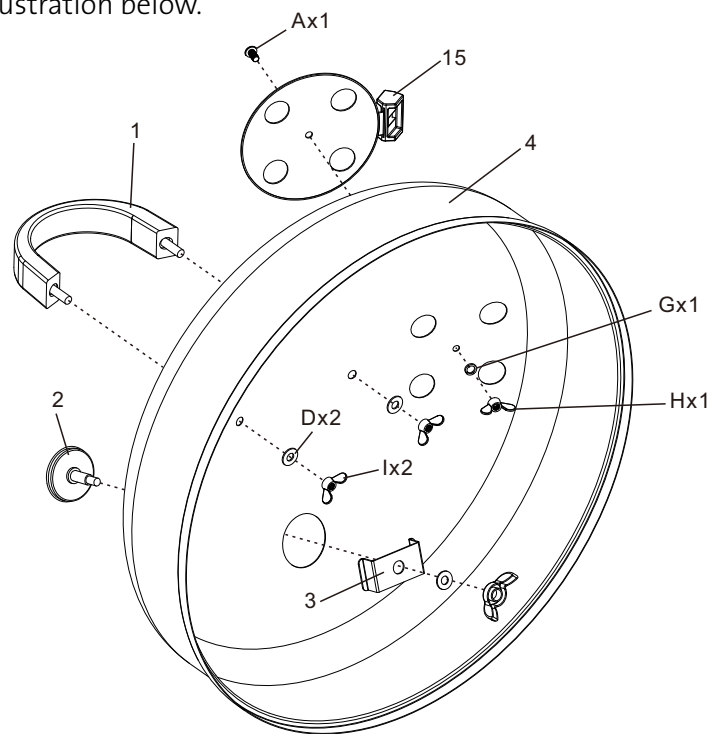


6

jumbuck

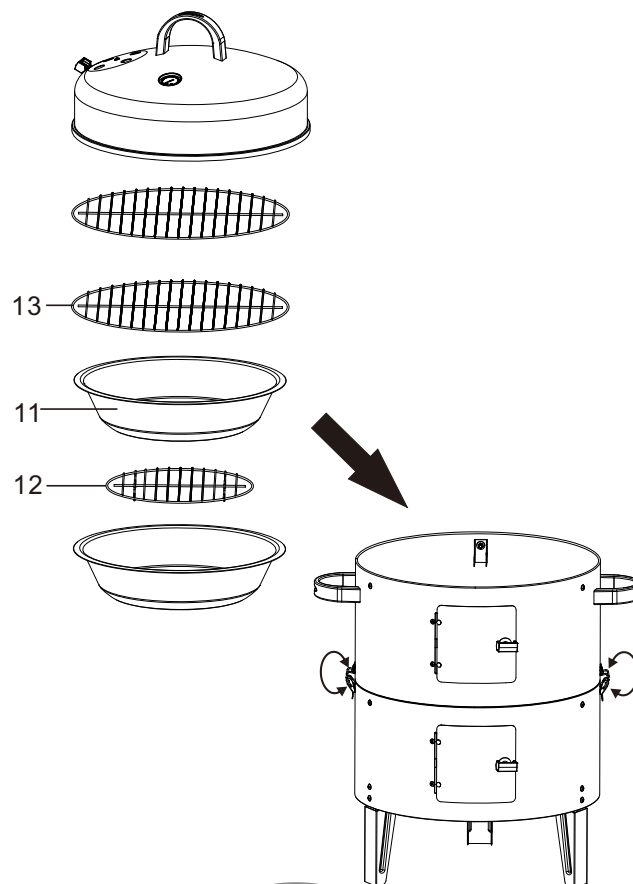
STEP 4

Assemble the handles (part 1), thermometer (part 2) and the air vent (part 15) onto the cover (part 4) as per illustration below.

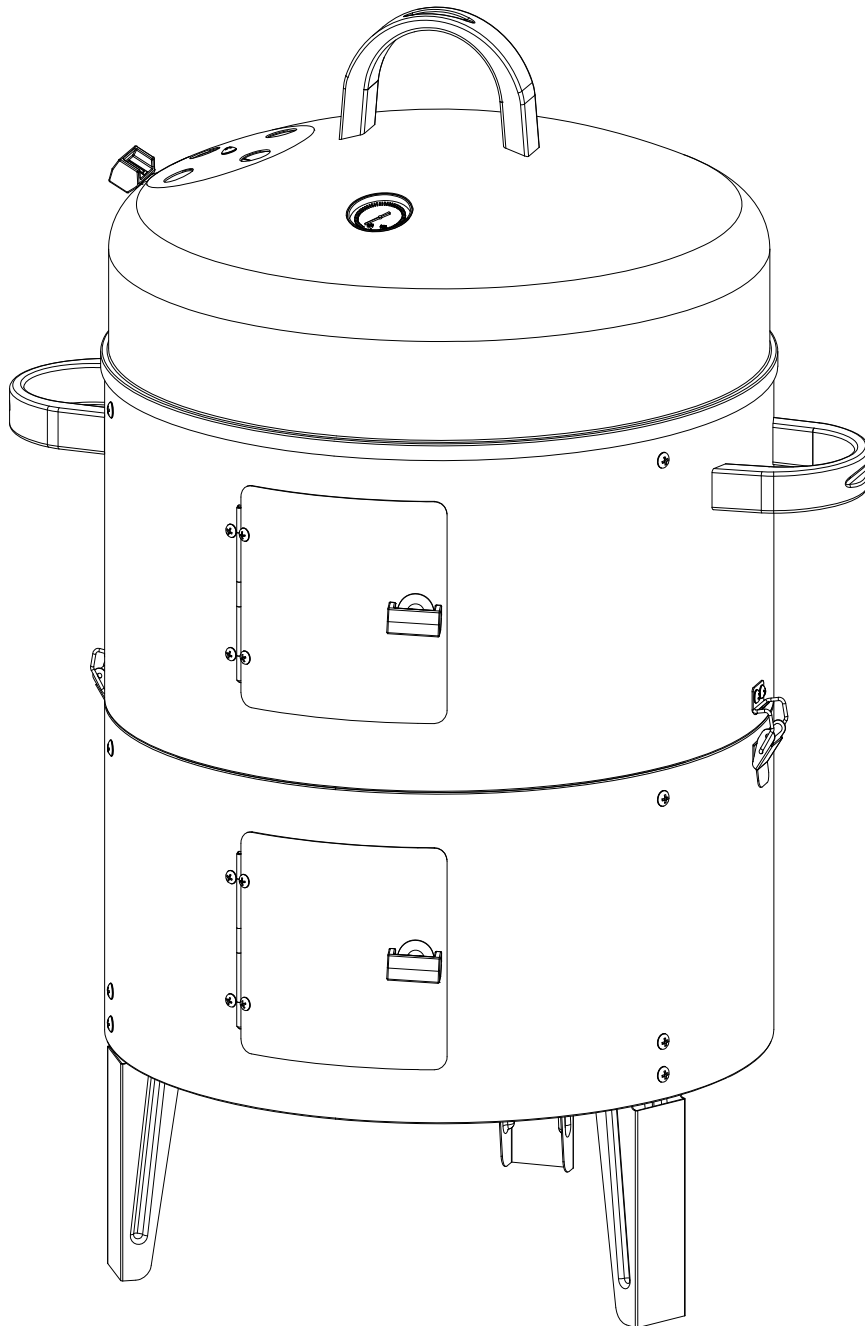


STEP 5

Place the charcoal grill (part 12), cooking grills (part 13) and charcoal & water tray (part 11) into the assembled upper and lower body (part 6 and 9) as per illustration below. Ensure the buckles are in the locked position as per illustration below. Lastly, place the assembled cover (part 4) onto the assembled upper and lower body (part 6 and 9) as per illustration below.



Fully Assembled



Your BBQ is now ready for use.

Please take care when lighting your BBQ.

Always keep children away from this BBQ at all times.



WARRANTY

Thank you for purchasing one of our quality Jumbuck BBQs.

YOUR JUMBUCK BBQ IS COVERED AGAINST DEFECTS FOR A PERIOD OF 12 MONTHS FOR PARTS AND LABOUR, REPAIR OR REPLACEMENT THIS WARRANTY EXCLUDES SURFACE RUST AND DAMAGE CAUSE BY ABUSE OR NEGLIGENCE

CONDITIONS OF THE WARRANTY

- The appliance must be operated and maintained in accordance with the instructions supplied in the operating manual.
- Any repair does not extend the warranty period.
- Any parts other than original Jumbuck parts will void this warranty.

FOR WARRANTY CLAIMS

The warranty for Australia is given by :

Genesis International Corporation Pty Ltd
1/71 Truganina Road, Malaga, Western Australia,
6090, AUSTRALIA

(08) 9248 9822

service@genesiscorp.com.au

Proof of purchase must be presented.

The warranty for New Zealand is given by :

Bunnings NZ Limited
PO Box 14436,
Panmure, Auckland, 1471

NEW ZEALAND

(09) 978 2200

marketing@bunnings.co.nz

Proof of purchase must be presented.

Any claims under this warranty must be made within 12 months of the date of purchase of the product.

For Australian Customers

To make a claim under the warranty, please contact Genesis International at service@genesiscorp.com.au or return the product (with proof of purchase) to any Bunnings store. Visit www.bunnings.com.au for store locations.

Genesis International bears reasonable, direct expenses of claiming under the warranty. You may submit details and proof to us for consideration.

The warranty covers manufacturer defects in materials, workmanship and finish under normal use.

This warranty is provided in addition to other rights and remedies you may have under law: our goods come with guarantees which cannot be excluded under the Australian Consumer Law. You are entitled to replacement or refund for a major failure and to have the goods repaired or replaced if the goods fail to be of acceptable quality and the failure does not amount to a major failure.

The warranty excludes damage resulting from product misuse or product neglect. The warranty covers domestic use only and does not apply to commercial applications.

For New Zealand Customer

Any claim under this warranty must be made within 12 months of the date of purchase of the product. To make a claim under the warranty, take the product (with proof of purchase) to any Bunnings store. Visit www.bunnings.co.nz for store locations.

Bunnings NZ Ltd bears reasonable, direct, expenses of claiming under the warranty. You may submit details and proof to our store for consideration.

The warranty covers manufacturer defects in materials, workmanship and finish under normal use.

This warranty is provided in addition to other rights and remedies you may have under law: our goods come with guarantees which cannot be excluded under the Consumer Guarantees Act 1993 (NZ). You are entitled to replacement or refund for a major failure and to compensation for other reasonably foreseeable loss or damage. You are also entitled to have the goods repaired or replaced if the goods fail to be of acceptable quality and the failure does not amount to a major failure.

Goods presented for repair may be replaced by refurbished goods of the same type rather than being repaired. Refurbished parts may be used to repair the goods.

The warranty excludes damage resulting from product misuse or product neglect. The warranty covers domestic use only and does not apply to commercial applications.



WARRANTY

WHAT IS NOT COVERED IN THE WARRANTY

- Removal or re-installation costs. This warranty does not cover costs for transit, nor in home service
- Liability will only be accepted for loss or damage during transit if at the time the product was being transported by Bunnings or a Bunnings approved contractor
- Lack of maintenance, abuse, neglect, misuse, accidental or improper installation of this appliances
- Scratches, dents, corrosion or discoloration caused by heat, abrasive chemicals cleaners
- Corrosions or damage caused by exposure to elements such as insects, weather, hail or grease and fat fires
- Rusting of the grill
- Cleaning and wear and tear, service calls of this nature are chargeable
- Commercial use of this product
- Unauthorized repairs or modification during warranty period

RECORD THE FOLLOWING INFORMATION

Attached the copy of the purchase receipt here

Date of Purchase.....

Purchased From.....

Location.....

Model Name and Number.....

Serial Number.....

Receipt Number.....

Note: The serial number is located either on the outside of the packing carton or inside the appliance

FOR TECHNICAL ASSISTANCE

For Australia customers if you experience any technical issues with your JUMBUCK BBQ, in the first instance review the instructions manual or contact the warranty service agent

For New Zealand customers if you experience any technical issues with your JUMBUCK BBQ, in the first instance review the instructions manual or contact your local Bunnings warehouse

FOR SPARE PARTS

Call your local Bunnings warehouse and ask them to order a part for you. You should provide the following information:

Model of BBQ
.....

Year of Purchase
.....

Name of warranty service company
.....

Part that requires replacement (refer to the parts list in the instructions manual)
.....

