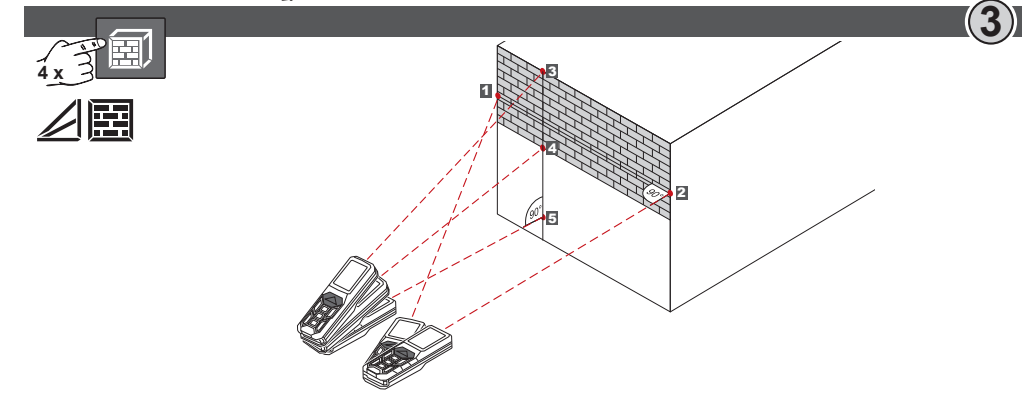
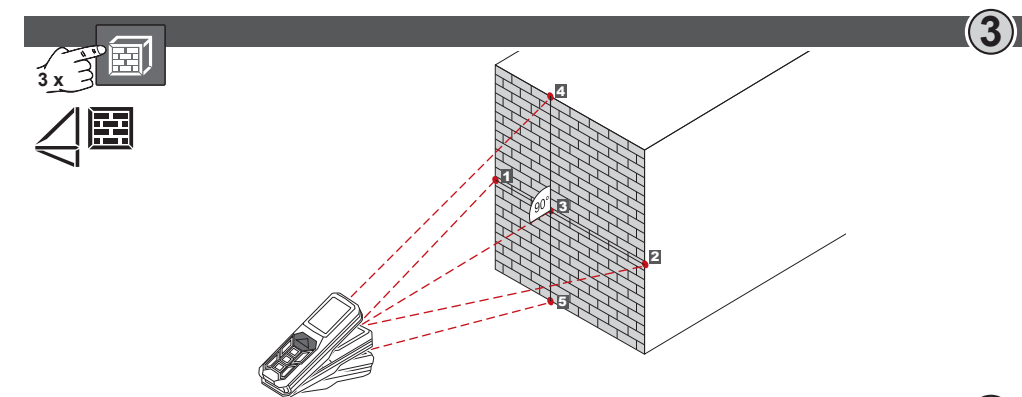
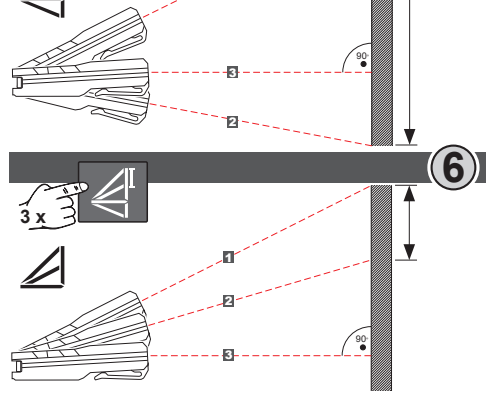
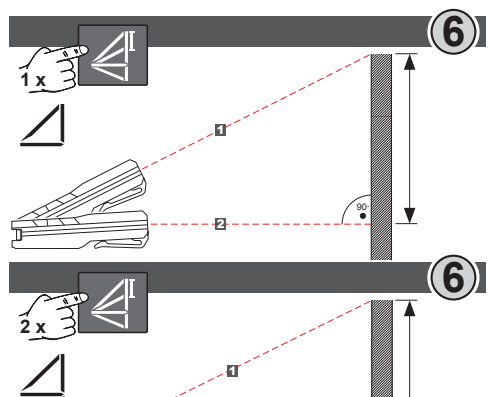
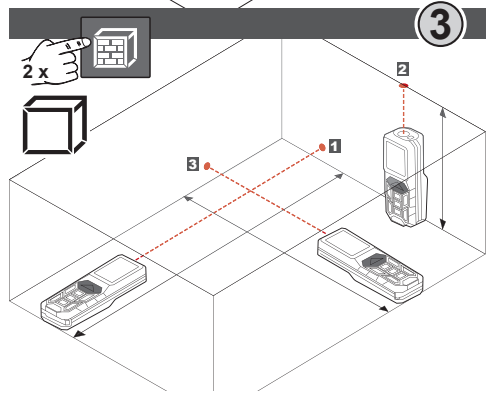
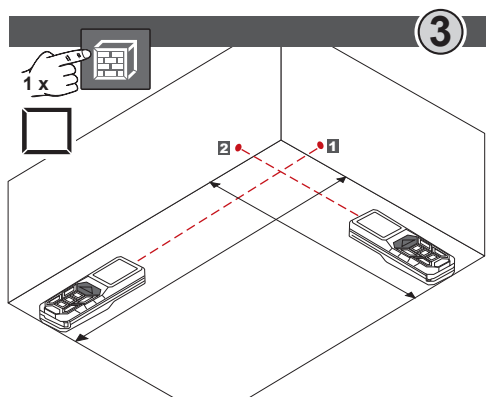
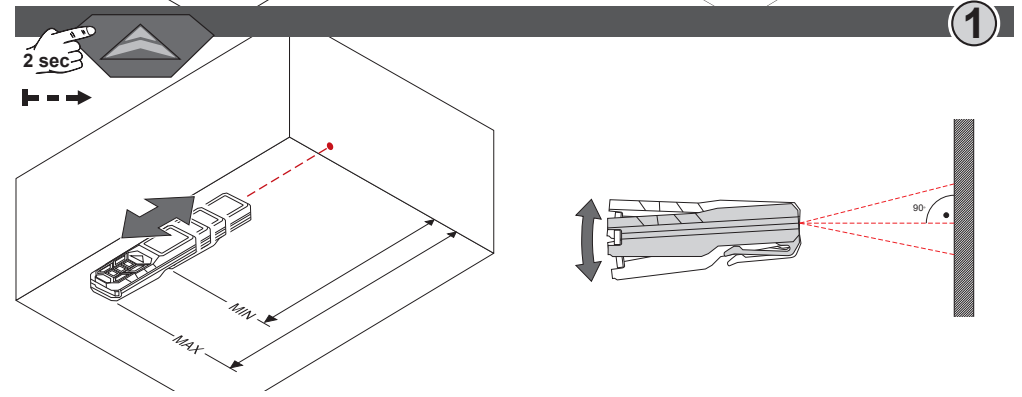
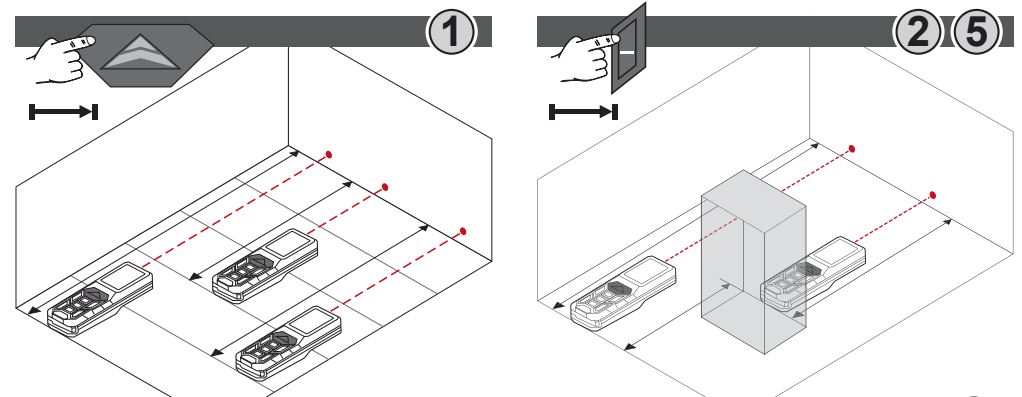


Single Pythagoras Height difference	Area/ Volume Indirect Surface Measurement
Measuring Reference	Battery Status
Normal Measuring Mode	Memory
	Timer
Minimum / Maximum for continuous Measure	Continuous measure mode
	Among Values
Addition / Subtraction	Main Value

ON / MEASURE ①	SUBTRACT ⑤
▶ On	▶ Subtract value
▶ Measure	▶ Navigate in memory
▶ Continuous Measuring (push 2 sec Min / Max Function)	
ADD ②	PYTHAGORAS ⑥
▶ Add value	▶ Pythagoras 1 (push 1x)
▶ Navigate in memory	▶ Pythagoras 2 (push 2x)
	▶ Pythagoras 3 (push 3x)
AREAS / VOLUMES ③	CHANGE POINT OF MEASURE ⑦
▶ Area (push 1x)	▶ Front
▶ Volume (push 2x)	▶ Back (Standard automatic)
▶ Indirect Surface Measuring (push 3x / 4x / 5x)	▶ Corner pin
POWER ④	MEMORY ⑧
▶ On	▶ Timer 3-15 sec (push 1x)
▶ Off (push 2 sec)	▶ Memory 1-20 (push 1x, 2 sec)
▶ Clear	▶ Use +/- to navigate the measures in memory





ON

1

4



ON



OFF

2 sec



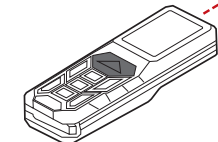
3 sec

8



15 sec

13 x



2 sec

8



20

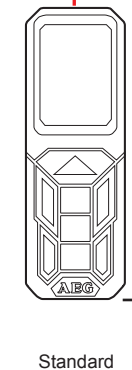
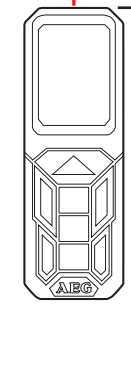
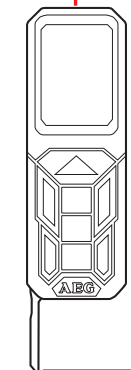
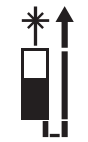


1 x

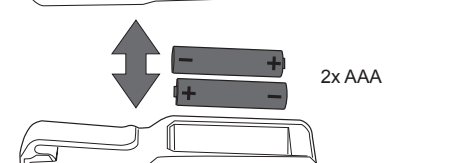
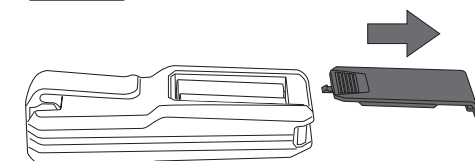
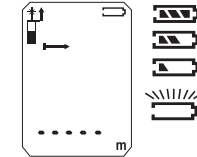
2 x

3 x

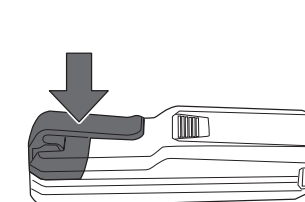
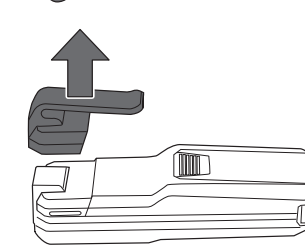
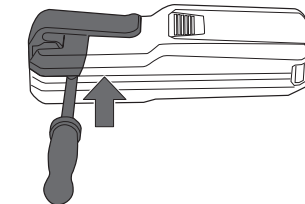
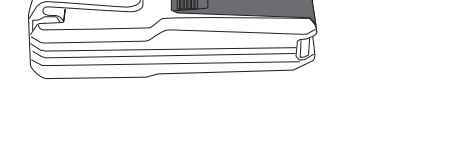
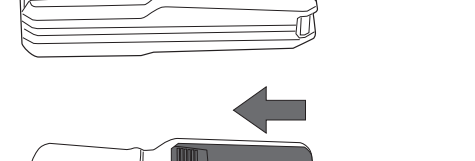
7



Standard



2x AAA



AEG

POWERTOOLS

AEGLDM50

Quick start guide

Techtronic Industries GmbH
Max-Eyth-Straße 10
71364 Winnenden
Germany

Techtronic Industries (Australia) Pty. Ltd.
31 Gilby Road,
Mount Waverley VIC 3149,
Australia

Techtronic Industries N.Z. Limited
2 Landing Drive, Mangere,
Auckland, New Zealand 2022

