


SECURE | SECURE PLUS | SECURE PRO



LOCKLY™ SECURE
LATCH EDITION

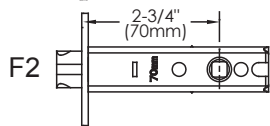
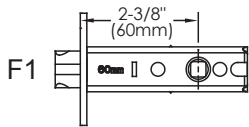
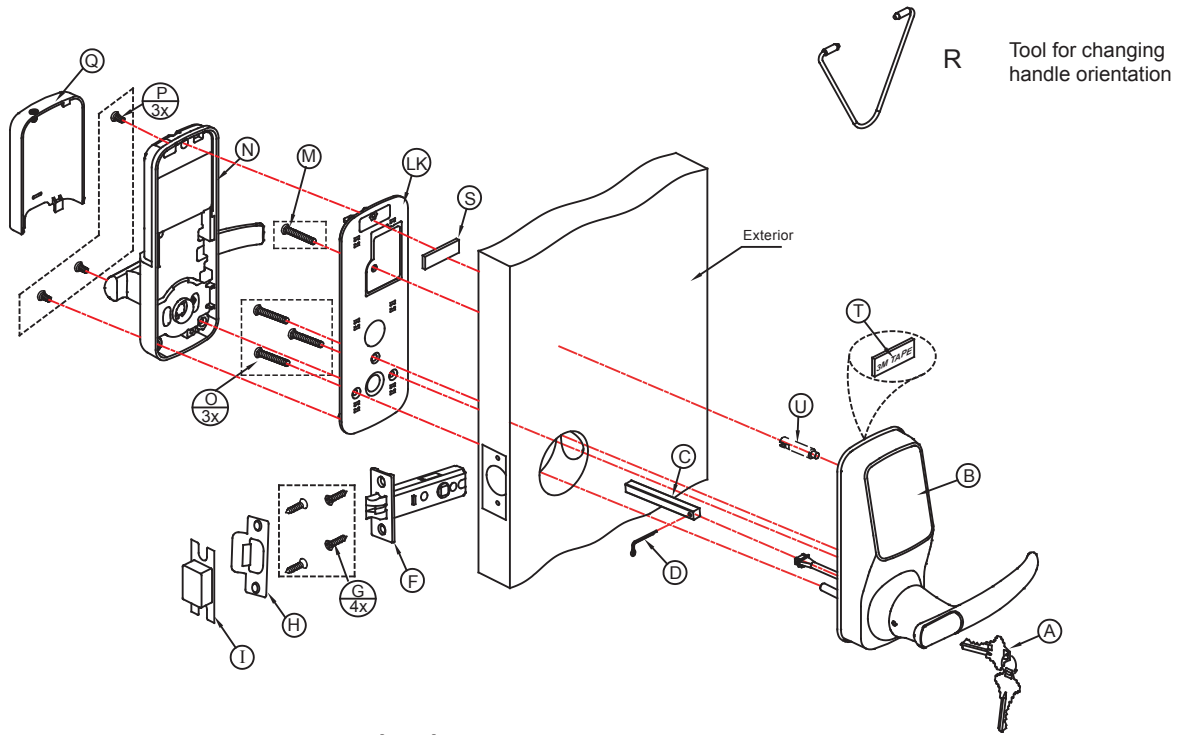
INSTALLATION MANUAL

INSTALLATION OVERVIEW & PARTS LIST

M1  PM5X25mm, Door thickness 1-19/50"~1-69/100"(35~43mm)

M2  PM5X35mm, Door thickness 1-69/100"~1-97/100"(43~50mm)

*NOTE: You can either use T or U to stabilize the exterior part. T requires drilling an extra hole. Use provided Template for drilling instructions if needed.



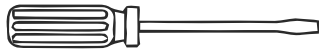
2x Positioning rods for installing part LK

Measure distance between the center of the hole to the edge of door:
Use F1 if 2-3/8"(60mm) or F2 if 2-3/4"(70mm)

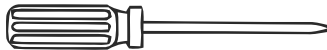
GETTING STARTED - YOU WILL NEED

All the parts you need to install the Lockly Secure Latch Edition is included in your package. However, we do need a few tools.

Required Tools



Flathead Screwdriver

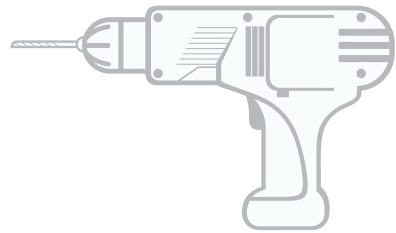


Phillips Screwdriver

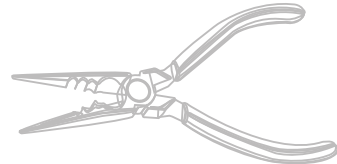


Ruler

Optional



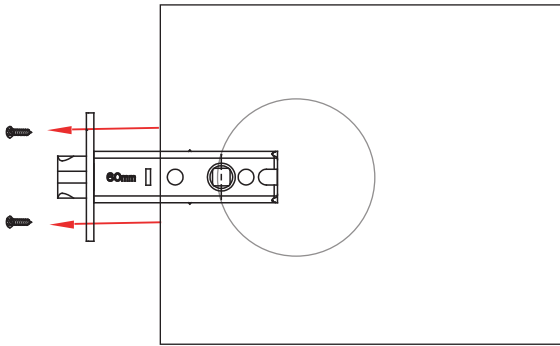
Screwdriver with drill bits



Pliers

Drilling is not required to install the lock, and is optional. However if you are installing your lock on a brand new door, a drill is required if there are no holes prepared for lock installation.

STEP 1: PREPARING THE DOOR



1.1

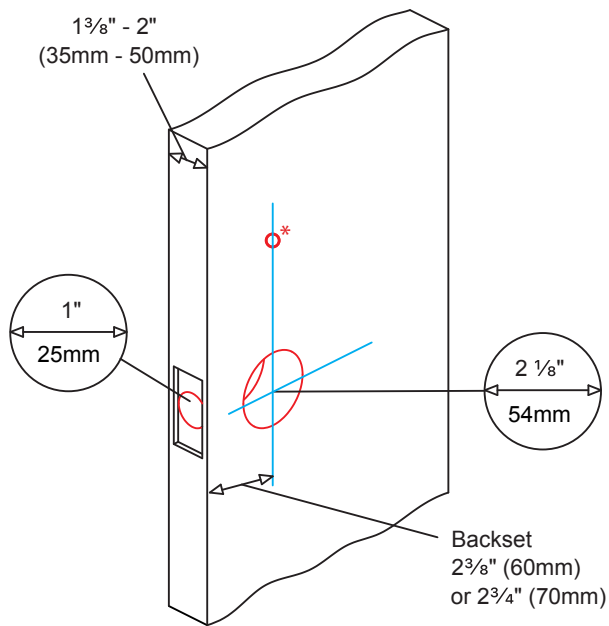
If you are installing the Lockly Secure smart lock on an existing door, please remove existing door hardware and latch or bolts before installing the new lock.

You can remove most existing door locks with a screwdriver.

If you are having problems removing your existing door lock or unsure if what you are doing can damage the existing door, please contact a locksmith or the current door hardware manufacturer for assistance.

1.2

After removing the existing lock, make sure your door is properly prepared. If you need to drill holes in your door, please use supplied templates to assist.



1.3

Measure and confirm your door is between $1\frac{3}{8}" - 2"$ (35mm - 50mm).

1.4

Measure and confirm the hole in the door is $2\frac{1}{8}"$ (54mm).

1.5

Measure and confirm that the backset is between $2\frac{3}{8}"$ (60mm) to $2\frac{3}{4}"$ (70mm).

1.6

Measure and confirm that hole in the door edge is $1"$ (25mm).

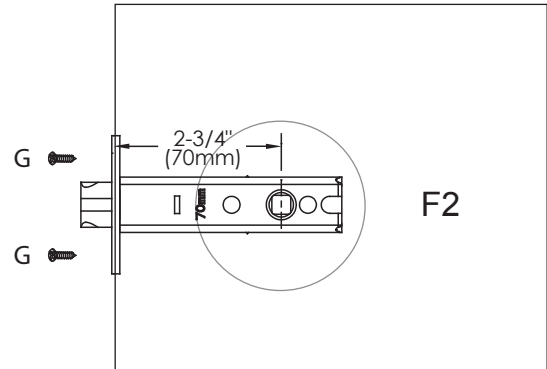
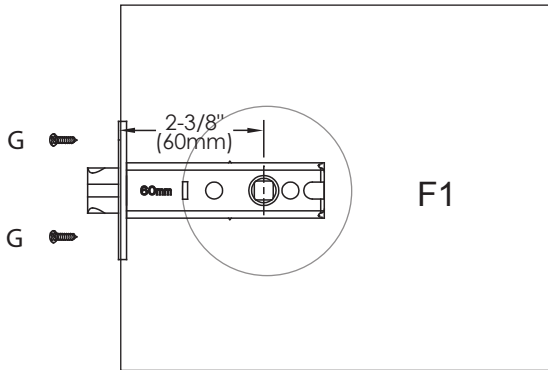
IMPORTANT NOTICE



* You are not required to drill an extra hole on your door. We have provided 3M double sided tape for you to help stabilize the lock during installation. Only drill a hole if you wish to have added stability. Please refer to the provided template for drilling if needed.

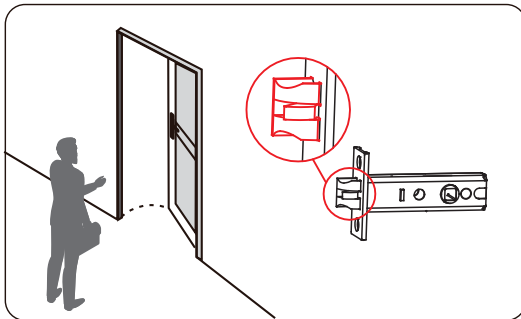
STEP 2: INSTALLING THE LOCKSET

2.1 Measure the distance between center of front door hole to the edge of your door and select the correct lockset. Select F1 if 2-3/8"(60mm) or F2 if 2-3/4"(70mm).



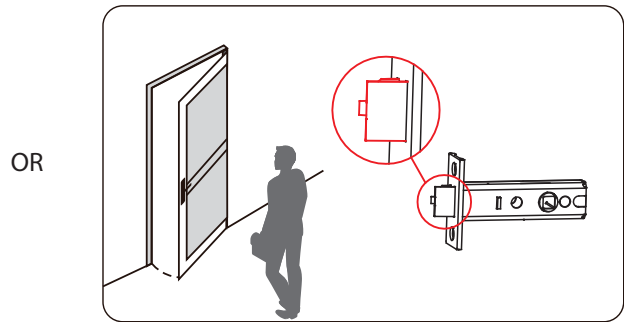
2.2 Install the lockset with the slanted side of the latch facing towards the closing direction.

Example 1



Slanted side Facing Door Frame when closing

Example 2



OR

Slanted side Facing Door Frame when closing

2.3 Secure lockset with provided screws, labelled G (Step 2.1) as shown.

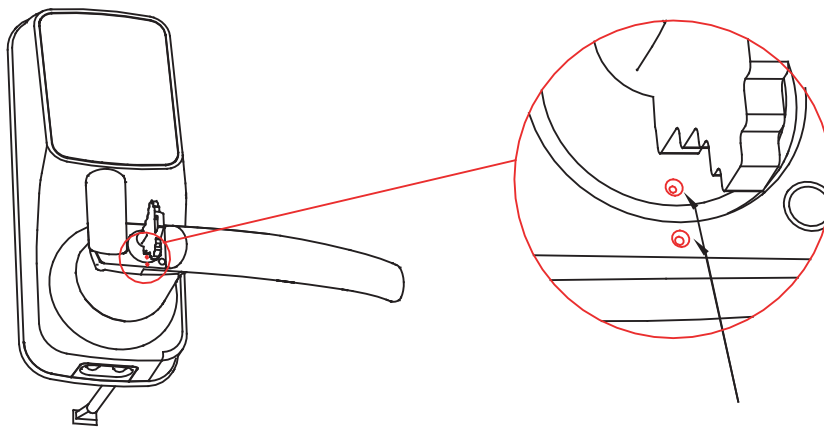
STEP 3: CHANGING HANDLE ORIENTATION FOR RIGHT OR LEFT SWING DOORS

How to determine if your door is a Right Swing or Left Swing door?

While facing the door, if the door hinges are on the right side of the door, you have a Right Swing Door. If the hinges are on the left side of the door, you have Left Swing Door.

The lock ships default for Right Swing Doors. You may skip STEP 3 if your door is a Right Swing Door. To change your door handle orientation for a left swing door, please continue reading.

Changing the Exterior Handle Orientation

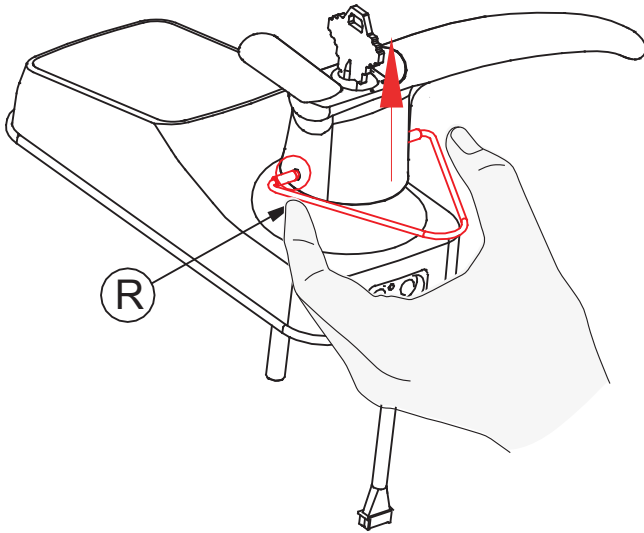


3.1

Insert the key and rotate to align the two white dots as shown in the picture.

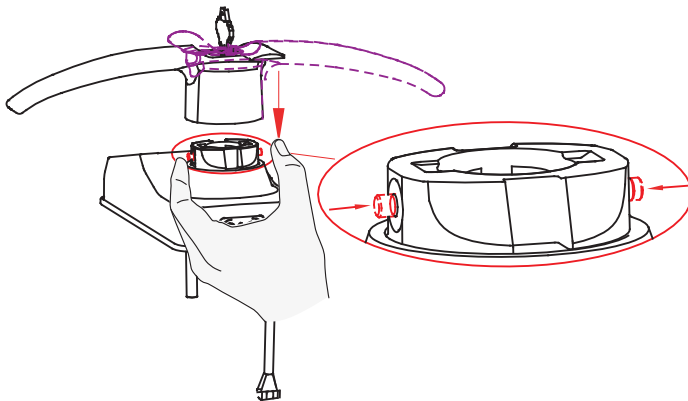
IMPORTANT:

The following steps are only possible when these two white dots are aligned!



3.2

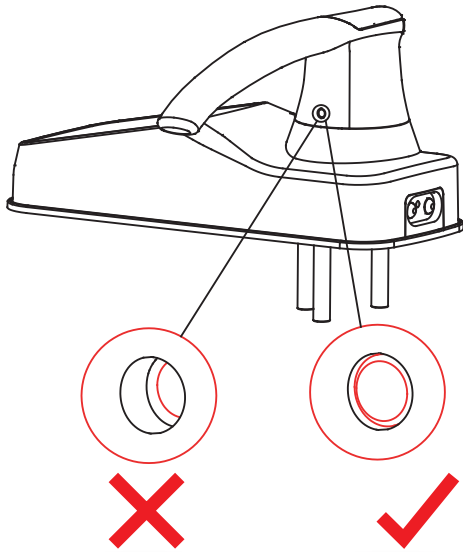
Use the provided Clamping tool (R) to push in the two metal pins at the base of the lock handle, located at the 3 o'clock and 9 o'clock positions, and remove the handle once the pins are compressed.



3.3

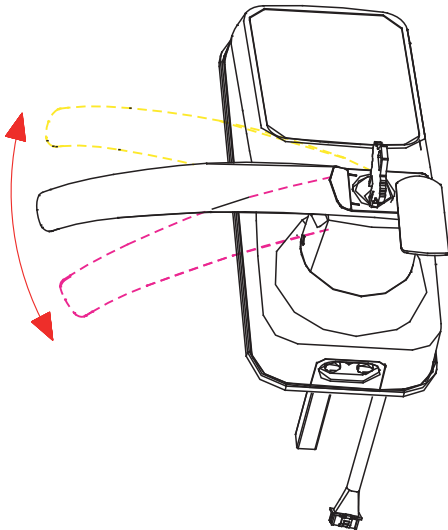
Rotate the handle 180 degrees to the other side of the lock.

Using your fingers, press the two pins located on the left and right side of the the lock to insert the handle back onto the lock.



3.4

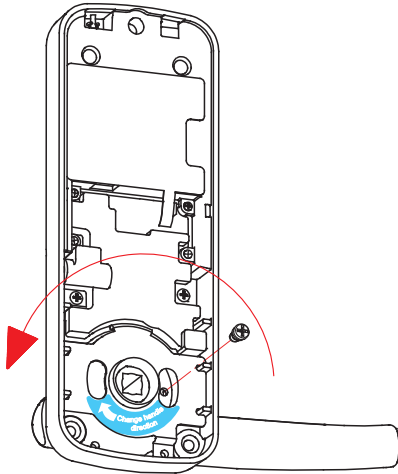
Confirm that your installation was complete by checking if the pins are flush against the handle, and has popped out. Adjust the handle accordingly to make sure the pins are fully decompressed and sits flush against the surface.



3.5

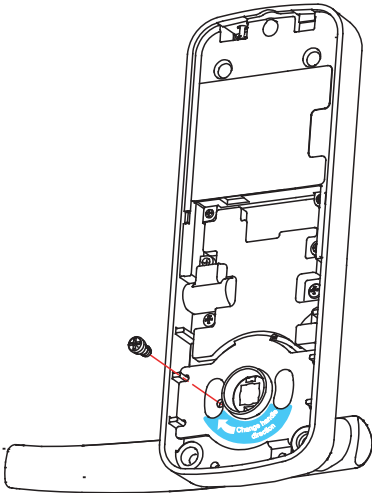
Check that your handle works smoothly by giving it a turn up and down. Your key can then be taken out once it goes back to the Horizontal position.

Changing the Interior Handle Orientation



3.6

Remove the screw by turning counter clockwise and rotate the handle 180° in the direction of the arrow as shown.



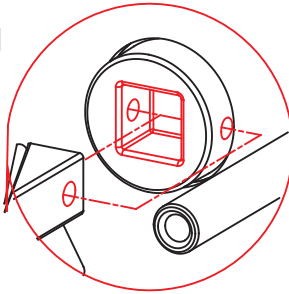
3.7

Securely screw clockwise as shown to complete your handle orientation change.

STEP 4: PREPARING LOCK FOR INSTALLATION

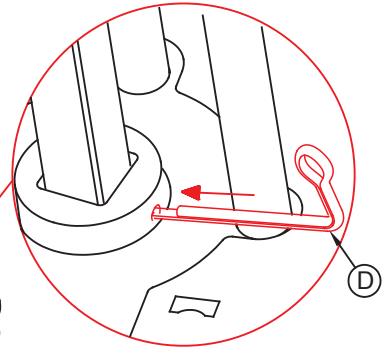
If you drilled a hole in Step 1, use pole (**Part U**) and securely tighten with a flat head screwdriver by turning it clockwise onto the lock. If you did not drill a hole in step 1, you can leave this pole removed.

4.1



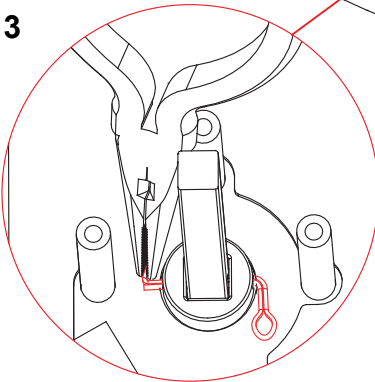
Install **Part C** with the holes side into the base of the lock and align the holes locate in the 3 o'clock and 9 o'clock position.

4.2



Insert locking pin **Part D** in to the hole as shown above.

4.3

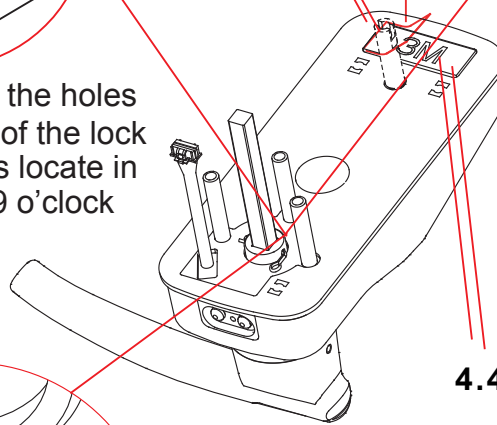


Lightly bend **Part D** so it's locked into place from moving as shown. We recommend using pliers.

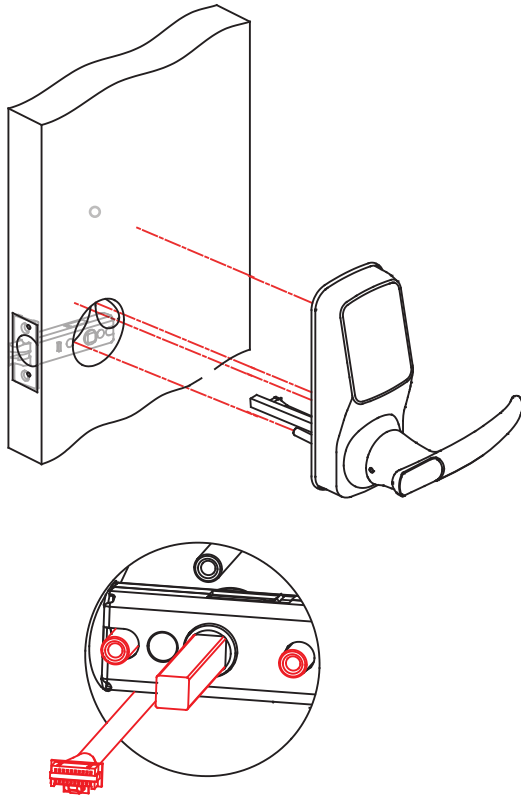
After you finished bending the locking pin, turn the handle to make sure it turns freely and nothing is obstructed.

4.4

Peel paper layer OFF the 3M tape and prepare for installation.

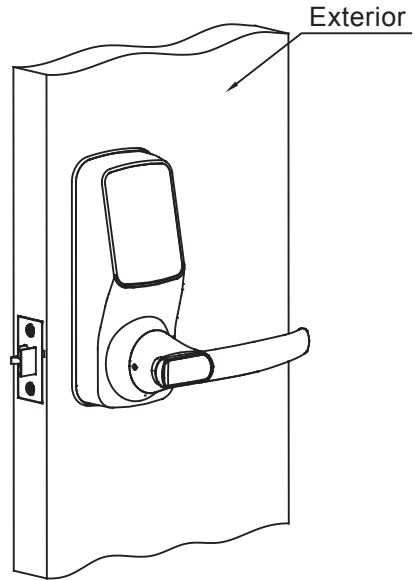


STEP 5: INSTALLING THE LOCK (EXTERIOR)



5.2

Install the exterior lock as shown to the left by aligning the lock straight and passing the cable and attached rods through the lockset.



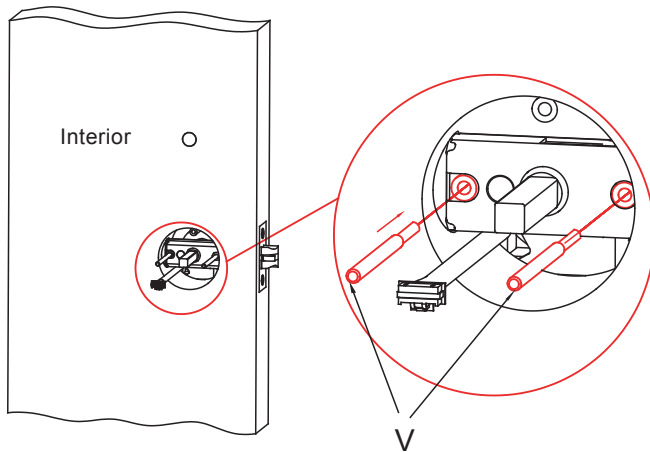
5.3

Pass the square rod (Part C) through the center of the lockset, and the round rods through the sides in their respective holes. The cable should run underneath the lockset.

5.4

Align the lock straight and press hard (if you use the 3M tape in step 4.4) to secure the top of the lock.

STEP 6: INSTALLING THE LOCK (INTERIOR)



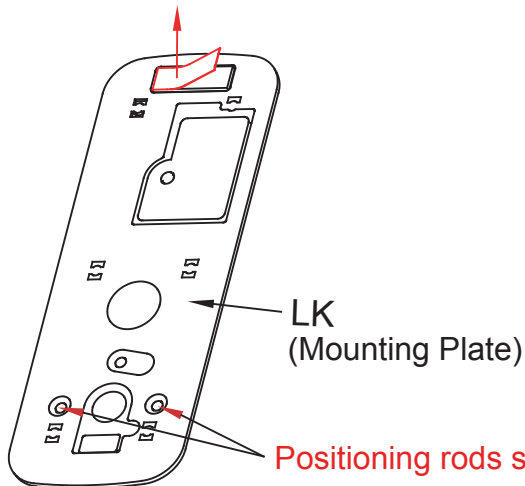
6.1

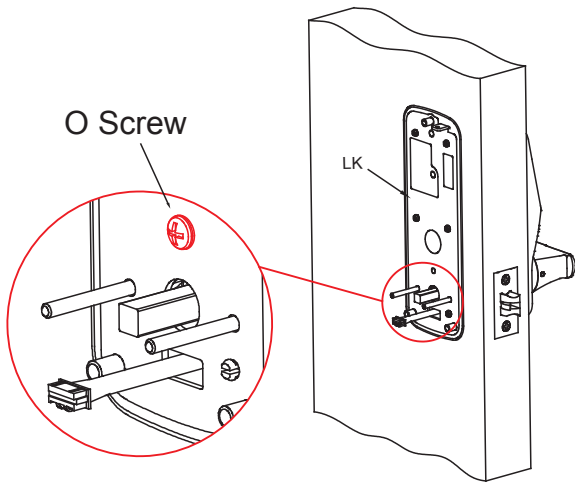
Insert positioning rods (Part V) into the the holes to the left and right of the square rod (Part C). The holes are located at the 3 o'clock and 9 o'clock positions.

6.2

Part LK (Interior Mounting Plate) will go against the interior side of your door. Remove the paper layer off of the 3M tape and **match the positioning rods on the bottom of the plate to the corresponding left and right holes.**

Install the side with the black plastic seal against the door.

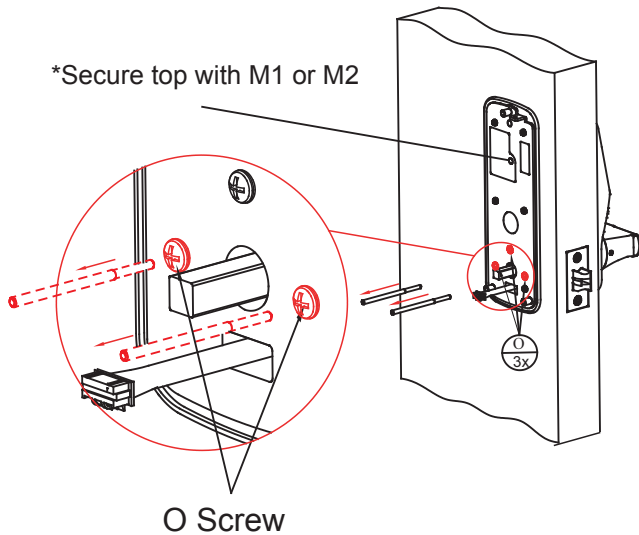




6.3

Pull the cable from the exterior lock through the rectangular hole underneath the positioning rods and square rod.

Secure the hole above the square rod with Part O screw.



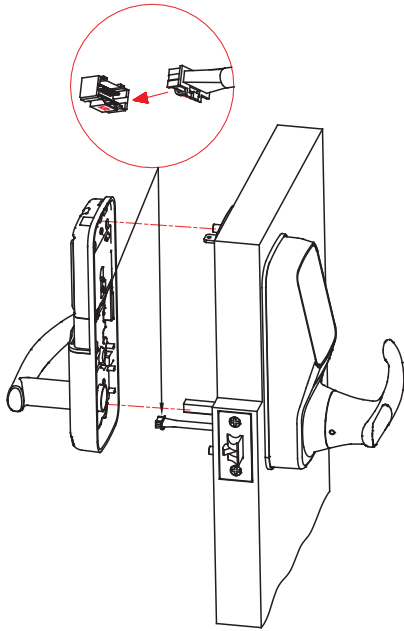
6.4

Remove the position rods (Part V) and replace them with Part O screws. Tighten clockwise until the mounting plate is secure.

* If you have drilled a hole on the top in Step 1, please secure the hole with part M1 or M2 depending on your door thickness. Skip this if no hole was drilled in Step 1.

M1  PM5X25mm

M2  PM5X35mm



6.5

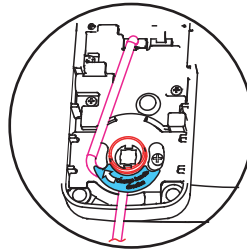
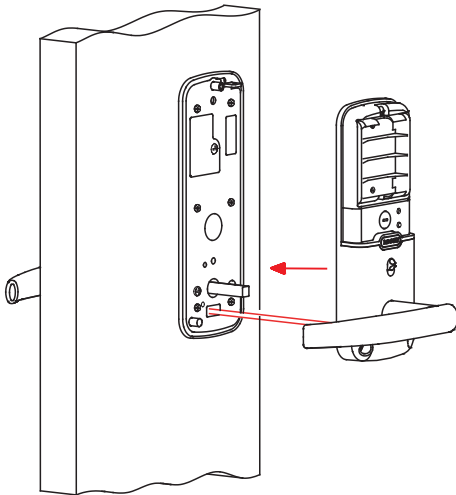
Plug the cable that is coming through the door into the Interior lock. Make sure you match the direction of the plug correctly and matching the red side of the plug with the red side of the lock.

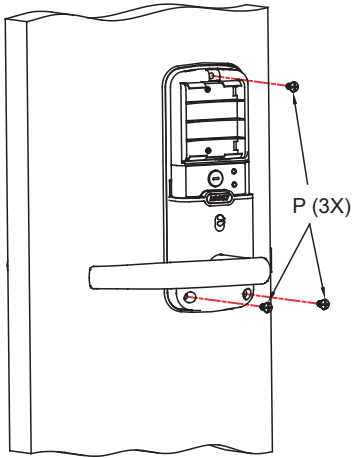
6.6

Align the square rod to the Interior lock and attach the Interior lock to the Interior mounting plate.

While you are doing so, gently push some of the excess cable through the rectangular hole into the door.

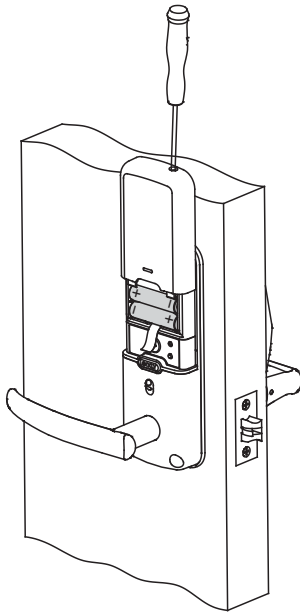
Place the remaining cable against the interior side of the Interior lock so the Interior lock sits securely onto the mounting plate.





6.7

Once the Interior lock is flush against the mounting plate, secure the lock to the plate by screwing clockwise by using supplied screws (Part P).



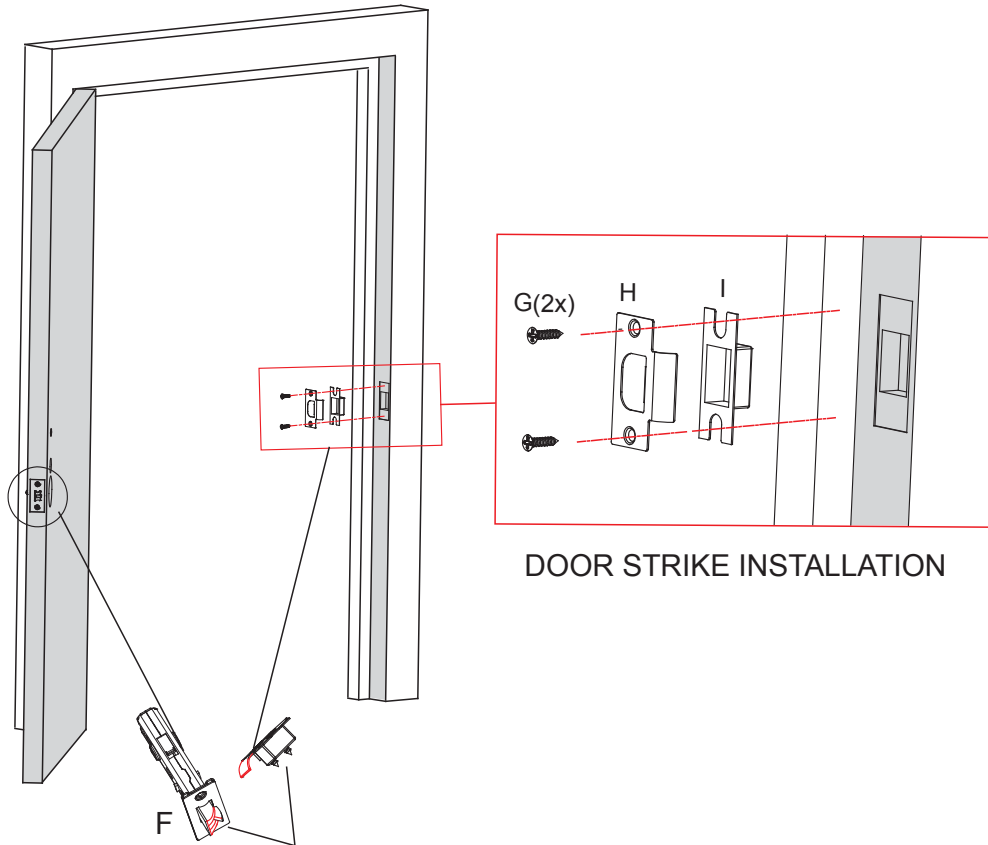
6.8

Insert 4 AA batteries into the lock by matching the positive (+) and negative (-) orientation markings on the batteries to the battery chamber.

Secure the battery cover by sliding the cover over the lock and turning the screw clockwise on top until tight.

STEP 7: INSTALLING THE DOOR STRIKE

Close your door to see if your lock closes securely with your existing door strike. If the lock closes securely, you may keep the existing door strike without removing the old hardware. However, it's recommended that you use our door strike.



Make sure the slanted side of Part F1/F2 is closing against the slanted part of Part H before fixing it on to door frame.

STEP 8: FINISHING INSTALLATION

You're all done! You have completed the Lockly™ Secure physical lock installation and now you're ready to get the lock set up. Download the Lockly™ app from the iOS or Google Play Store to complete your lock set up.



Scan or visit Lockly.com/app



For an online version of this installation guide and videos, visit:

<http://lockly.com/help>