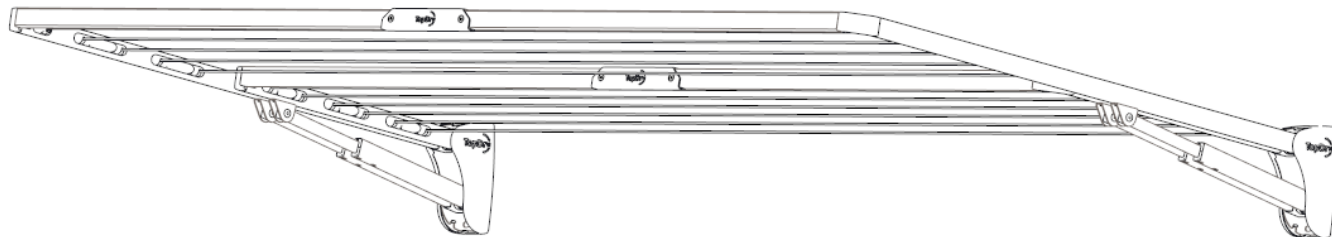


## IMPORTANT – READ THESE INSTRUCTIONS BEFORE USING YOUR CLOTHESLINE





## Safety Tips

Only use your clothesline to hang and dry washing.

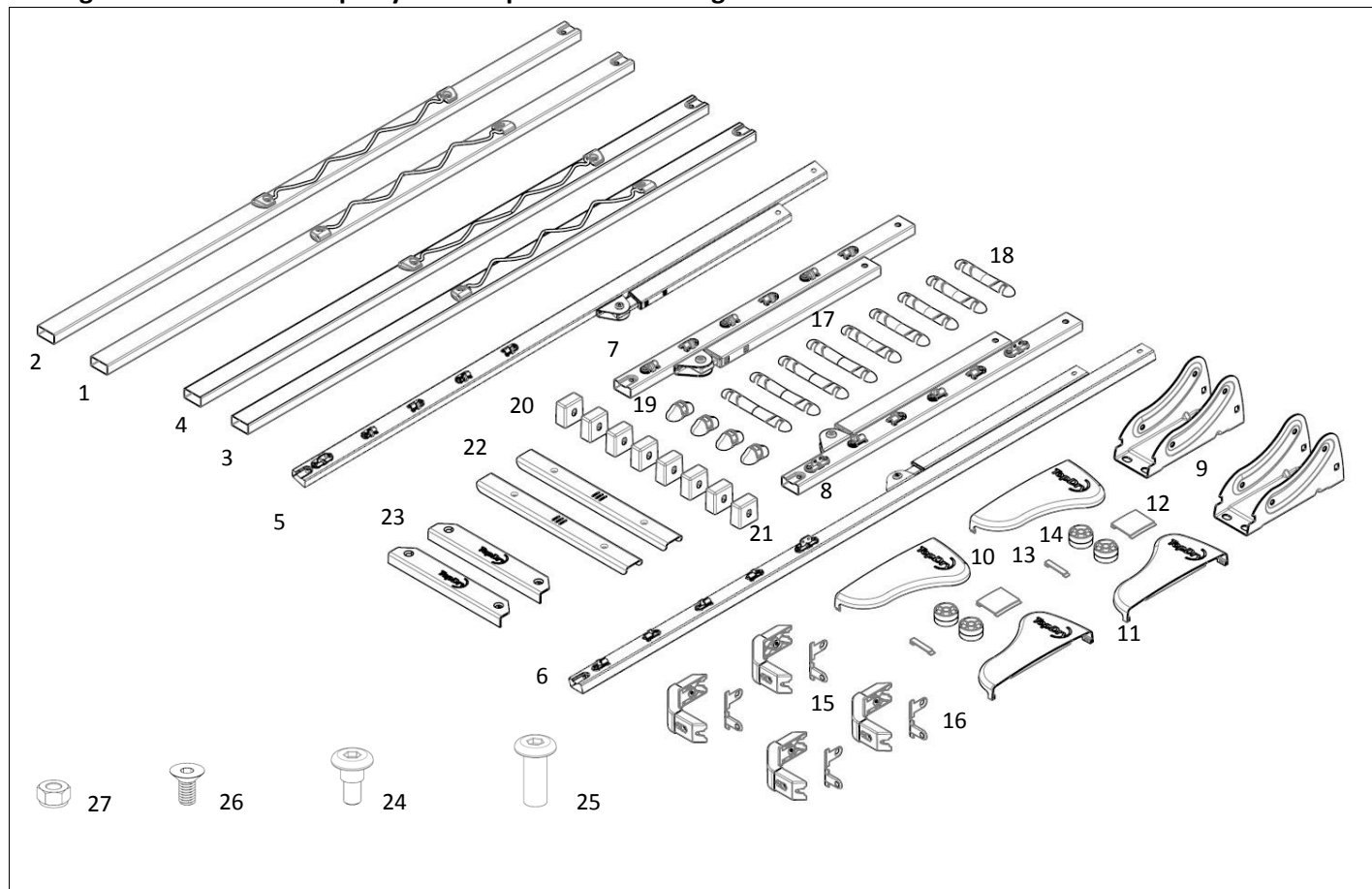
Remember the clothesline is not a children's toy

Don't use your clothesline if it is damaged

Note the following for future reference

Product Name	
Date of purchase:	
Place of purchase:	

# Package Contents of the Top Dry Contempo Double Folding 11 line

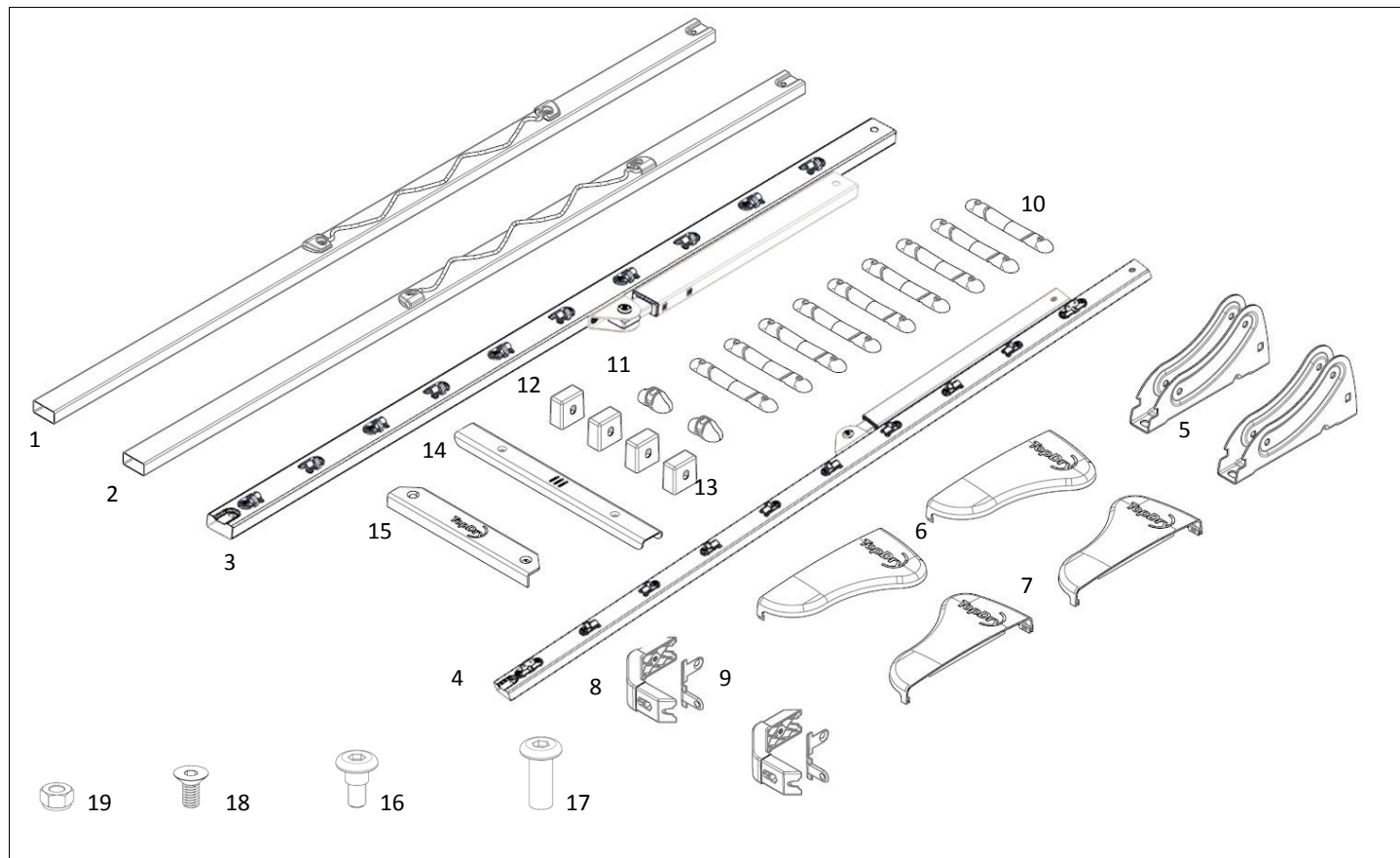


## Package Contents of the Top Dry Contempo Double Folding 11 line

Item	Description	Qty
1	Front Bar Outer Left Hand	1
2	Front Bar Outer Right Hand	1
3	Front Bar Inner Left Hand	1
4	Front Bar Inner Right Hand	1
5	Arm Outer Left Hand	1
6	Arm Outer Right Hand	1
7	Arm Inner Left Hand	1
8	Arm Inner Right Hand	1
9	Wall Bracket	2
10	Wall Bracket Cover Left Hand	2
11	Wall Bracket Cover Right Hand	2
12	Wall Bracket Cover Insert Upper	2
13	Wall Bracket Cover Insert Lower	2
14	Arm Spacer	8
15	Corner	4

Item	Description	Qty
16	Corner Inner Cover	4
17	Line Hook Cover - Long	4
18	Line Hook Cover - Short	5
19	Tensioner Cover	4
20	Arm End Cap	4
21	Strut End Cap	4
22	Front Bar Joiner	2
23	Front Bar Handle	2
24	Chicago Bolt - Male	4
25	Chicago Bolt - Female	4
26	M6 x 16mm Countersunk Socket Screw	12
27	M6 Nut	8
28	Line	2
29	5mm Hex Key	2
30	4mm Hex Key	1

# Package Contents of the Top Dry Contempo Single Folding 10 line

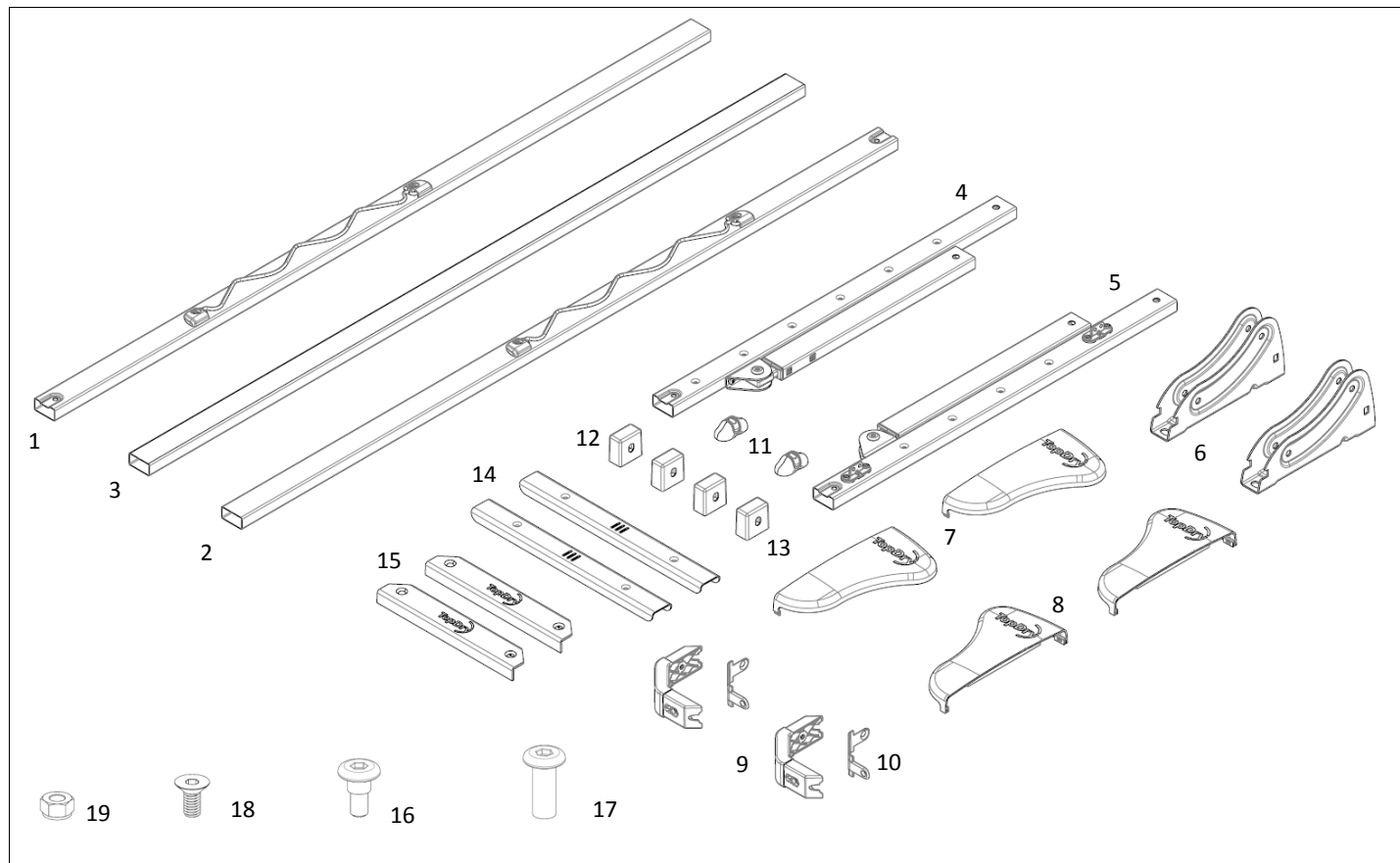


## Package Contents of the Top Dry Contempo Single Folding 10 line

Item	Description	Qty
1	Front Bar Left Hand	1
2	Front Bar Right Hand	1
3	Arm Left Hand	1
4	Arm Right Hand	1
5	Wall Bracket	2
6	Wall Bracket Cover Left Hand	2
7	Wall Bracket Cover Right Hand	2
8	Corner	2
9	Corner Inner Cover	2
10	Line Hook Cover	9
11	Tensioner Cover	2

Item	Description	Qty
12	Arm End Cap	2
13	Strut End Cap	2
14	Front Bar Joiner	1
15	Front Bar Handle	1
16	Chicago Bolt - Male	4
17	Chicago Bolt - Female	4
18	M6 x 16mm Countersunk Socket Screw	6
19	M6 Nut	4
20	Line	1
21	5mm Hex Key	2
22	4mm Hex Key	1

# Package Contents of the Top Dry Contempo Long Folding 6 line



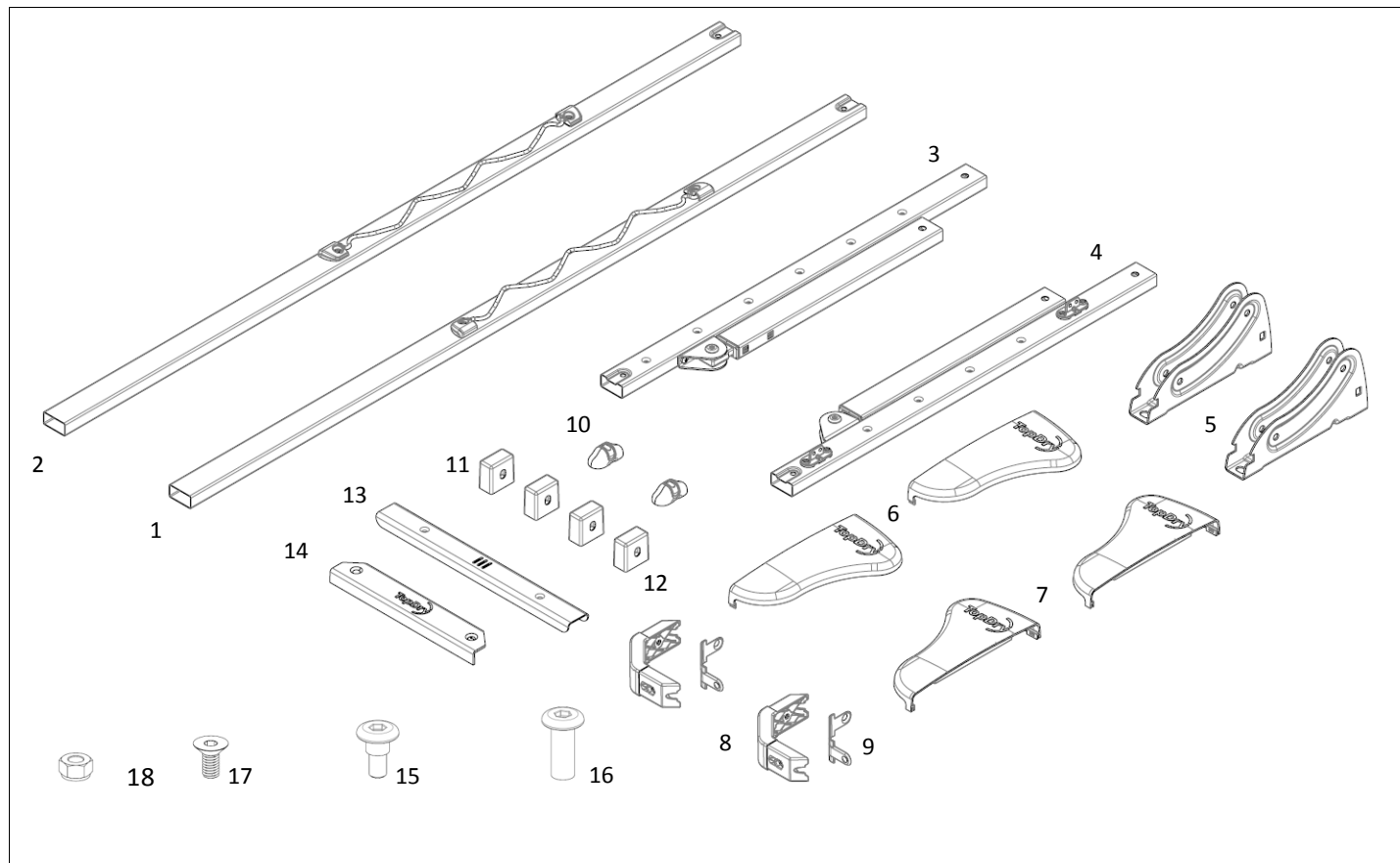


## Package Contents of the Top Dry Contempo Long Folding 6 line

Item	Description	Qty
1	Front Bar End Left Hand	1
2	Front Bar End Right Hand	1
3	Front Bar Centre	1
4	Arm Left Hand	1
5	Arm Right Hand	1
6	Wall Bracket	2
7	Wall Bracket Cover Left Hand	2
8	Wall Bracket Cover Right Hand	2
9	Corner	2
10	Corner Inner Cover	2
11	Tensioner Cover	2

Item	Description	Qty
12	Arm End Cap	2
13	Strut End Cap	2
14	Front Bar Joiner	2
15	Front Bar Handle	2
16	Chicago Bolt - Male	4
17	Chicago Bolt - Female	4
18	M6 x 16mm Countersunk Socket Screw	8
19	M6 Nut	4
20	Line	1
21	5mm Hex Key	2
22	4mm Hex Key	1

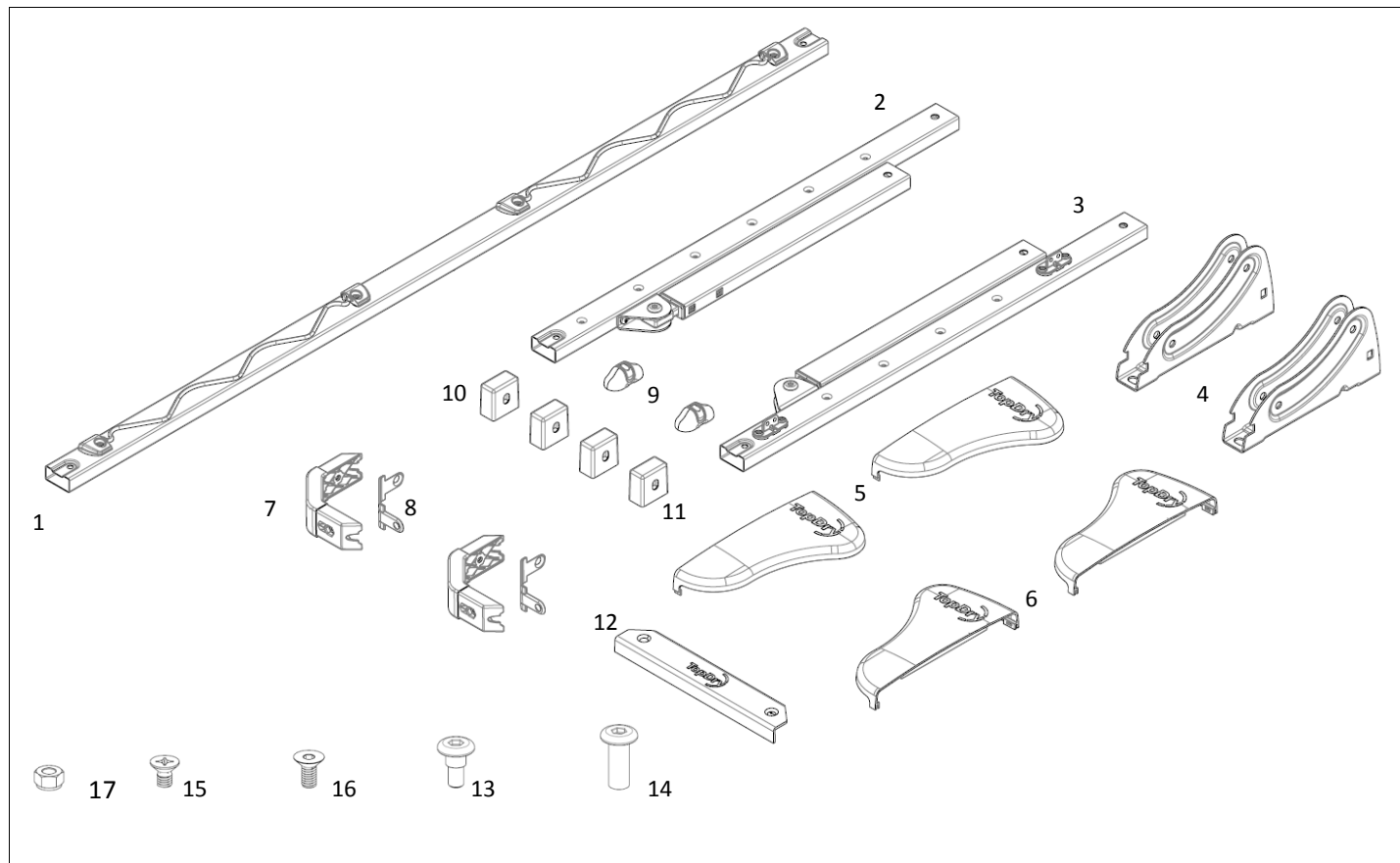
# Package Contents of the Top Dry Contempo Slim Folding 6 line



## Package Contents of the Top Dry Contempo Slim Folding 6 line

Item	Description	Qty	Item	Description	Qty
1	Front Bar Left Hand	1	12	Strut End Cap	2
2	Front Bar Right Hand	1	13	Front Bar Joiner	1
3	Arm Left Hand	1	14	Front Bar Handle	1
4	Arm Right Hand	1	15	Chicago Bolt - Male	4
5	Wall Bracket	2	16	Chicago Bolt - Female	4
6	Wall Bracket Cover Left Hand	2	17	M6 x 16mm Countersunk Socket Screw	6
7	Wall Bracket Cover Right Hand	2	18	M6 Nut	4
8	Corner	2	19	Line	1
9	Corner Inner Cover	2	20	5mm Hex Key	2
10	Tensioner Cover	2	21	4mm Hex Key	1
11	Arm End Cap	2			

# Package Contents of the Top Dry Contempo Mini Folding 6 line



## Package Contents of the Top Dry Contempo Mini Folding 6 line

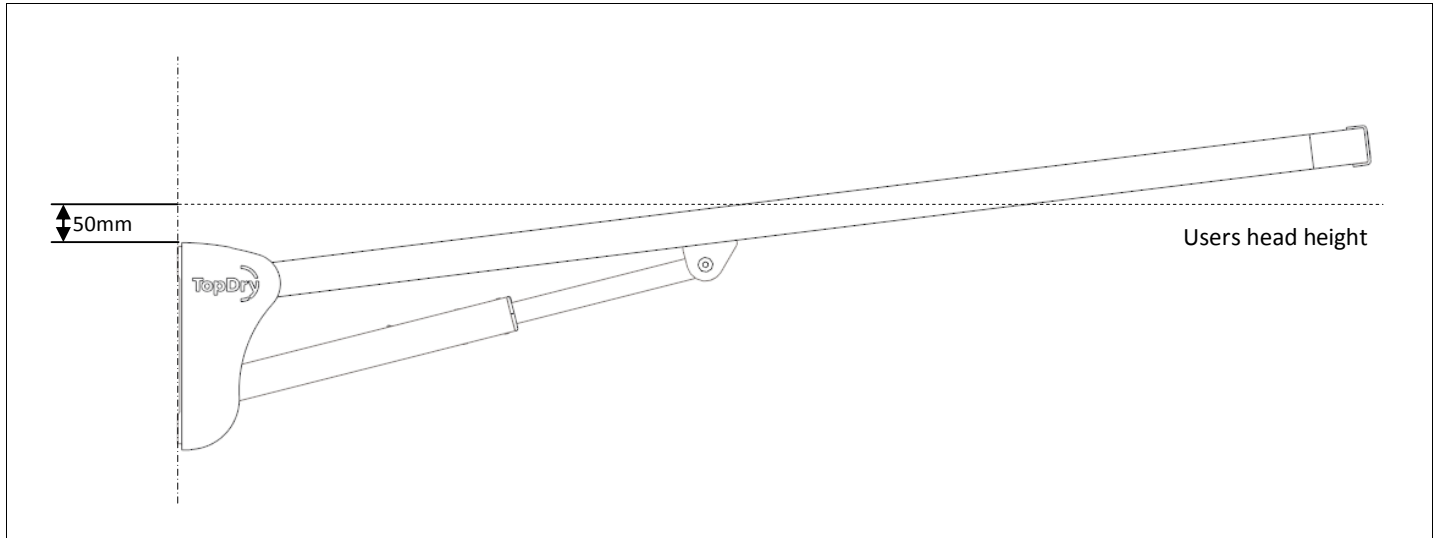
Item	Description	Qty
1	Front Bar	1
2	Arm Left Hand	1
3	Arm Right Hand	1
4	Wall Bracket	2
5	Wall Bracket Cover Left Hand	2
6	Wall Bracket Cover Right Hand	2
7	Corner	2
8	Corner Inner Cover	2
9	Tensioner Cover	2
10	Arm End Cap	2

Item	Description	Qty
11	Strut End Cap	2
12	Front Bar Handle	1
13	Chicago Bolt - Male	4
14	Chicago Bolt - Female	4
15	M6 x 10mm Countersunk Cross Head Screw	2
16	M6 x 16mm Countersunk Socket Screw	4
17	M6 Nut	4
18	Line	1
19	5mm Hex Key	2
20	4mm Hex Key	1

# 1. Choose the Installation Location

Attach the Wall Brackets to the wall positioned so that the top of the bracket is 50mm below the user's height. Leave clearance around the clothesline. We recommend 300mm on either side and 500mm above. For Double and Single Clotheslines ensure that the top of the wall brackets are at least 1.3m above the ground so that there is space for the arms to fold down for storage.

Note: Double, Single and Slim clotheslines can be installed on a Post Kit that is available separately.

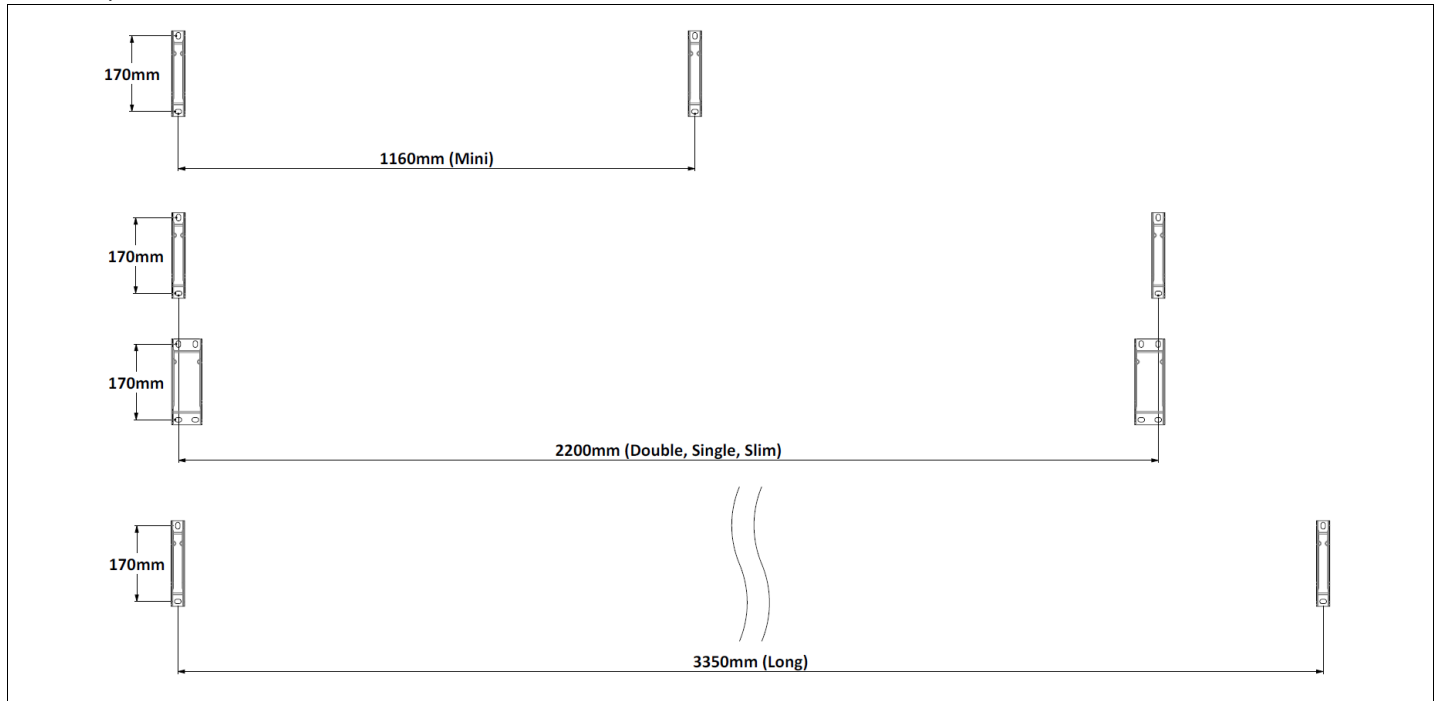


## 2. Mount the Wall Brackets

To securely attach the wall brackets to a brick wall ensure that you only drill into brick. Do not drill into the gaps-between bricks. Make sure the wall is of a solid construction.

Measure out the dimensions and use the wall brackets as a guide to check that your hole positions are correct before drilling. Use fasteners suitable for the wall.

Note: Only use the outer holes for the Double Wall Bracket. Do not use the inner holes.

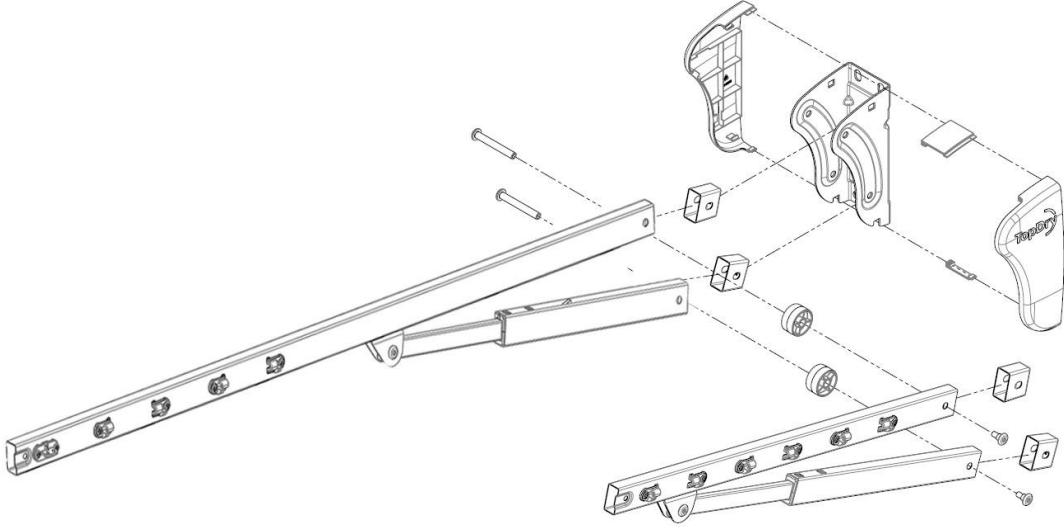


### 3. Install the Arms

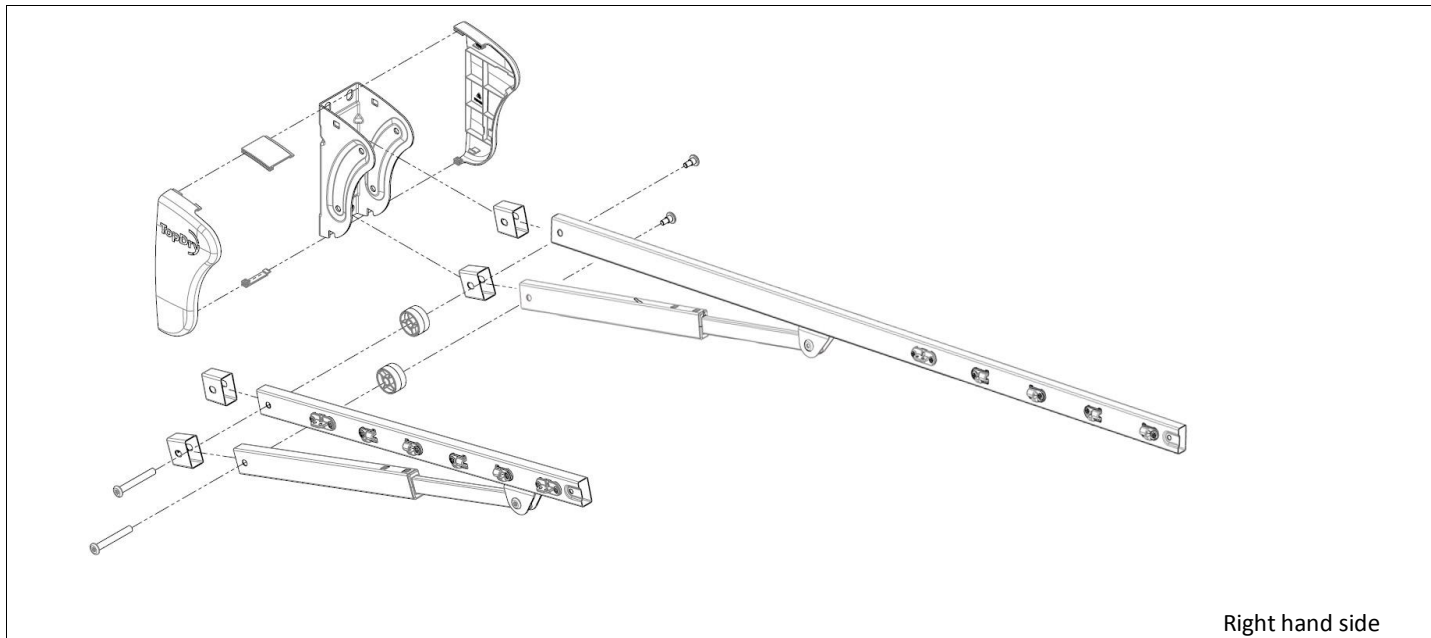
1. Fit the End Caps over the Arms and Struts
2. Align the holes in the arms with the upper holes in the bracket
3. Push through the long bolt, positioning the two round spacers between outer and inner arms.
4. Secure with the short bolt.
5. Repeat for the strut in the lower holes of the bracket
6. Clip on one cover
7. Clip on the upper and lower cover inserts
8. Clip on the final outer cover.
9. Repeat for the other side

Note: The instructions and images are for the TOPDRY Double folding frame. The TOPDRY Single, Slim, Mini and Long Folding Frames do not have the inner arms, round spacers or cover inserts.



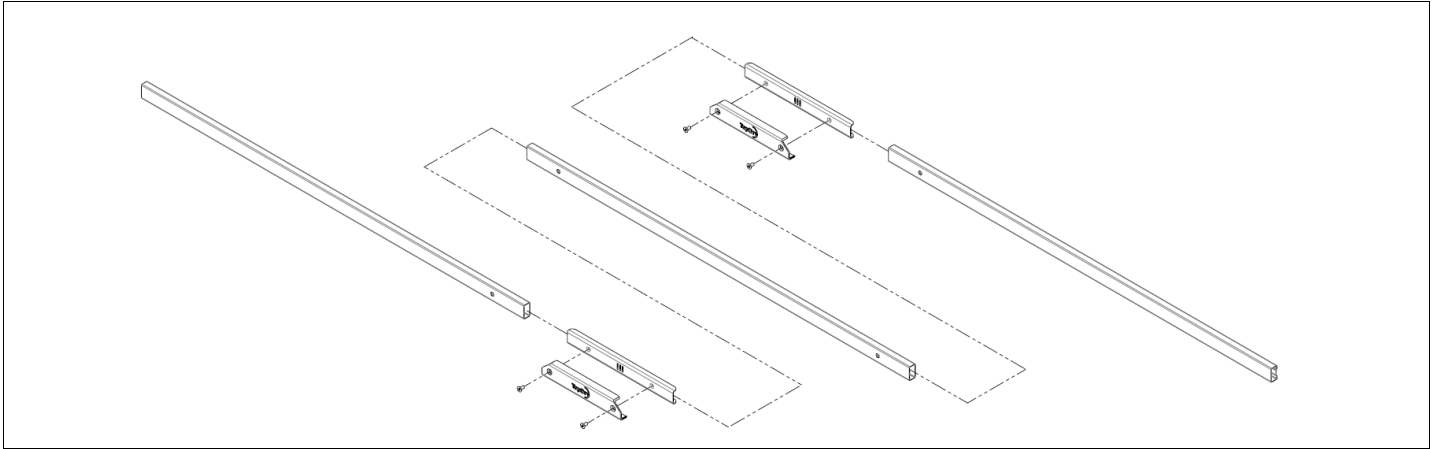


Left hand side

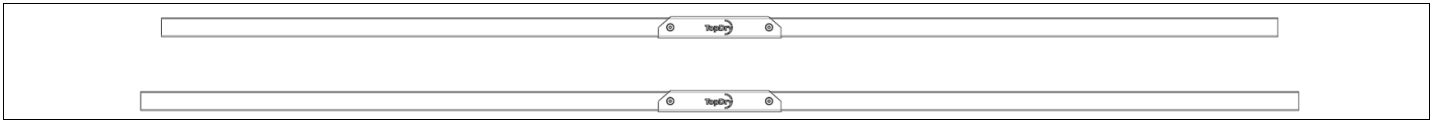


## Front Bar Configurations

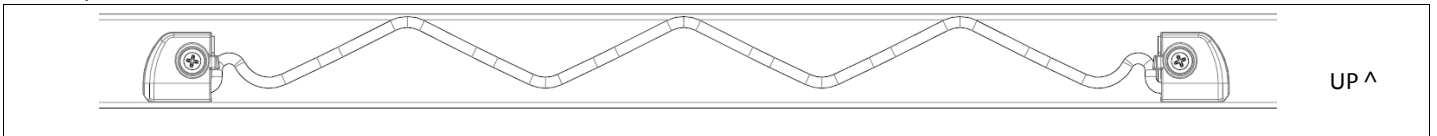
The TOPDRY Long Folding frame has Front Bar made with two End Bars and one Centre Bar assembled with joiners and handles as shown.



The TOPDRY Double Folding frame has two Front Bars, an inner and an outer. The Inner Bar is made from two shorter pieces and one Joiner, the Outer Bar from two longer pieces and one Joiner.



The TOPDRY Folding frame clotheslines have coat hanger racks on the inside faces of the Front Bars. To enable the racks to operate correctly orient the bars as shown.

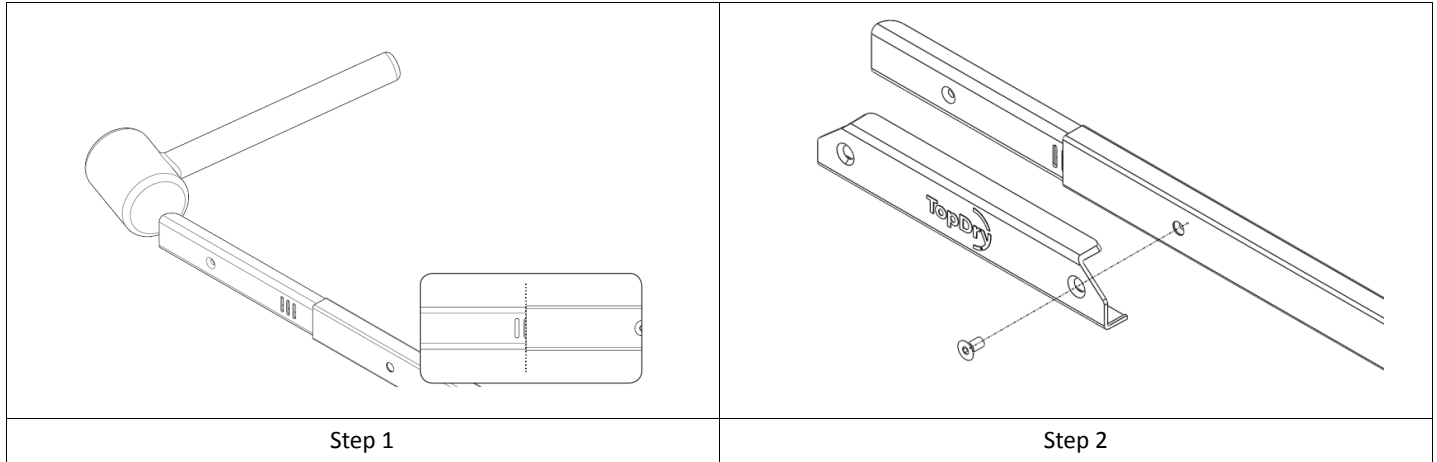


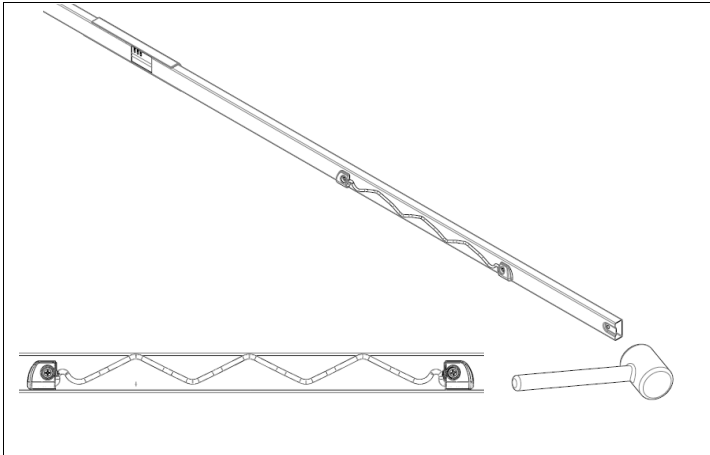
## 4. Assemble the Front Bar

1. Using a rubber mallet/hammer tap the Joiner into one of the Front Bar pieces. Continue tapping until the centre slot in the Joiner aligns with the end of the Front Bar and check that the hole in the Front Bar lines up with the screw thread in the Joiner. If you've tapped it too far use a flat bladed screwdriver to carefully lever the Joiner out of the Front Bar. Take care to not damage the painted finish.
2. Assemble the Handle to the Bar and Joiner with one screw. This will keep the Joiner in position while you insert the other Bar.
3. Use the rubber mallet/hammer to gently tap the second Front Bar piece into position. Stop when it is flush with the first Bar.
4. Insert the second screw and tighten.

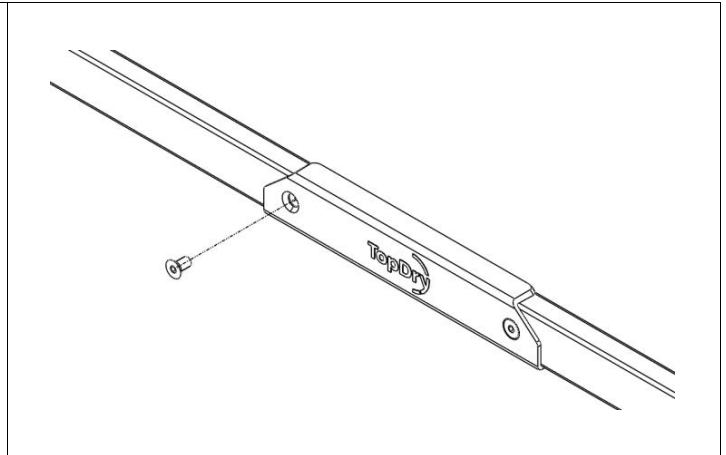
Note: TOPDRY Long Folding Frame - repeat this process for the second joiner.

TOPDRY Mini Folding Frame - a joiner is not needed. Use the screws supplied to assemble the Handle to the Front Bar.





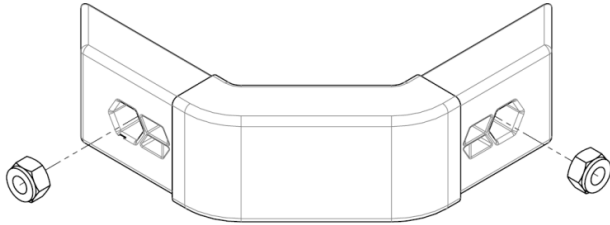
Step 3



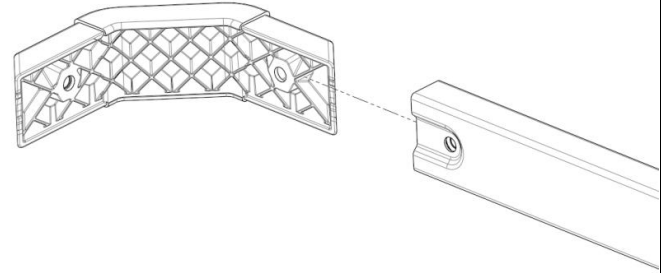
Step 4

## 5. Assemble the Corners to the Front Bar

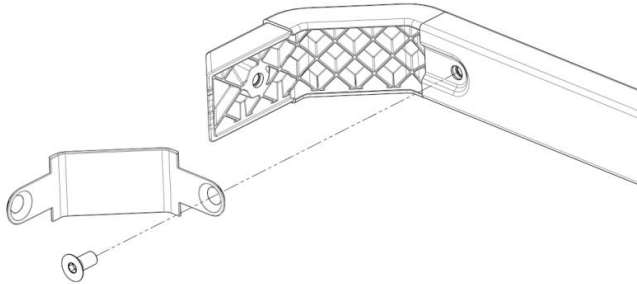
1. Push two nuts into each corner
2. Insert the Corner into the Front Bar. Align the recess in the Bar with the recess in the Corner
3. Secure the Corner and Inner Cover to the Bar with the screw.
4. Repeat for the other end



Step 1



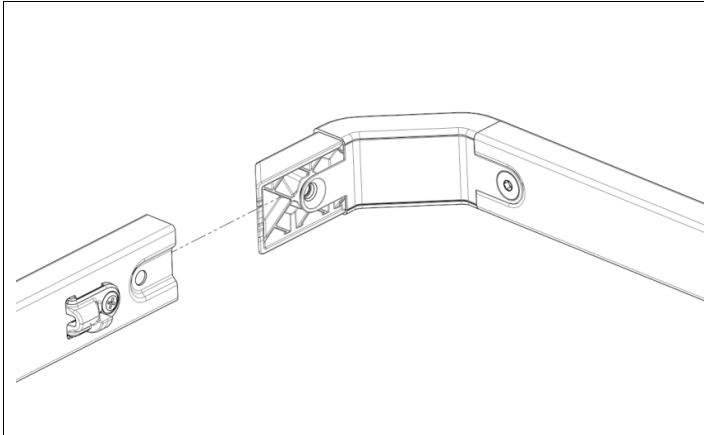
Step 2



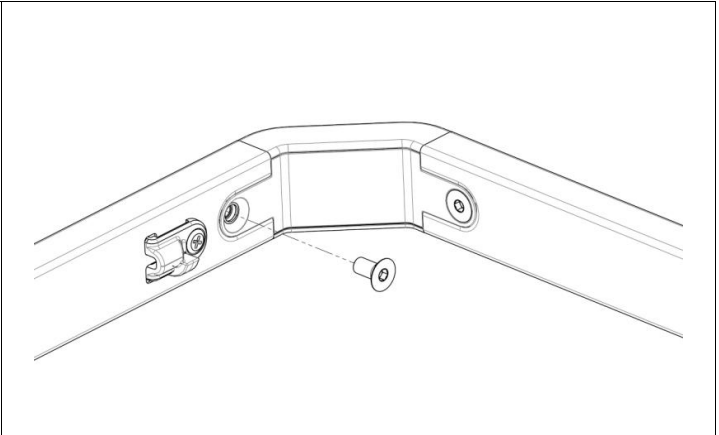
Step 3

## 6. Assemble the Front Bar to the Arms

1. Push the Corner into the end of the Arm. Make sure the Inner Corner Cover is on the outside of the Arm.
2. Secure the corner and inner cover with the screw.
3. Repeat for the other Arm.



Step 1



Step 2

## 7. Thread the line

1. Thread the Tensioner Cover over the end of the line
2. Pull the line down through the tensioner
3. Loop the line back up through the right hand hole leaving a loop below
4. Loop the line over thread the line down the left hand hole pulling tight, feed the end of the line through the loop
5. Pull tight and trim the excess length
6. Clip the Tensioner Cover into position
7. Feed the line through each pair of the line hooks backwards and forwards between the Arms keeping the lines tight. When you reach the end tensioner repeat steps 1 to 6 to secure the line.
8. Clip into place each of the Line Hook Covers over the line hooks.

### Notes.

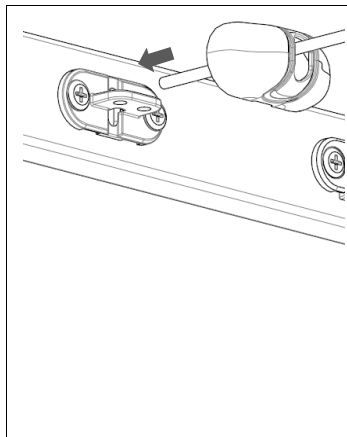
TOPDRY Double uses small Line Hook Covers on the inner frame and large Line Hook Covers on the outer frame.

Line Hooks are not used for TOPDRY Slim, Long and Mini. Instead, thread the line through the frame to the outside of the arm and then back through the frame at the next hole to the inside of the frame. Repeat this until you reach the last tensioner and follow steps 1 to 6.

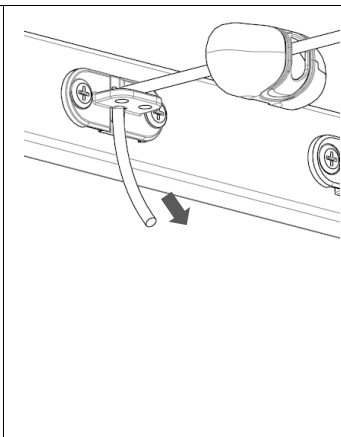
Over time the line may stretch and cause the lines to sag. This can be corrected by pulling the lines tight and re-tensioning, cutting off any excess so that the Tensioner Cover can be refitted.

Take care not to over tension the lines as this may cause the arms to be distorted.

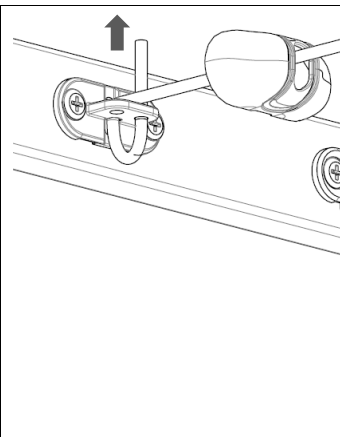




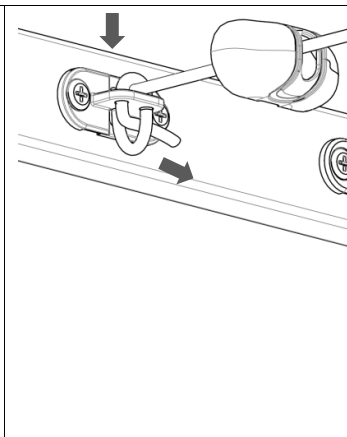
Step 1



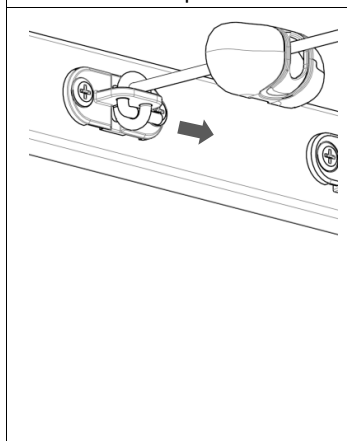
Step 2



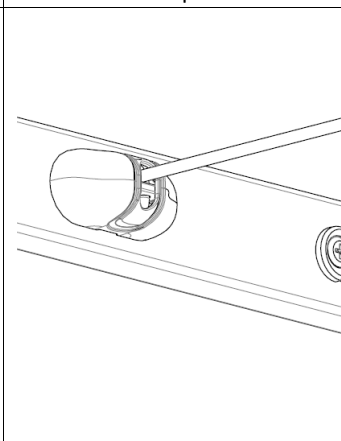
Step 3



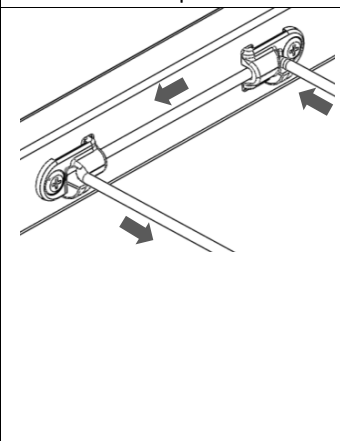
Step 4



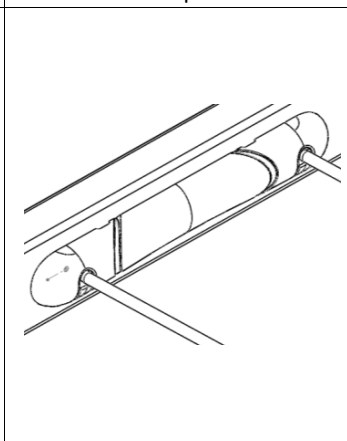
Step 5



Step 6



Step 7



Step 8

## **Product Features**

### **Multi Position Struts**

The strut locking mechanism allows the Folding Frame clothesline to be positioned in one of three ways.

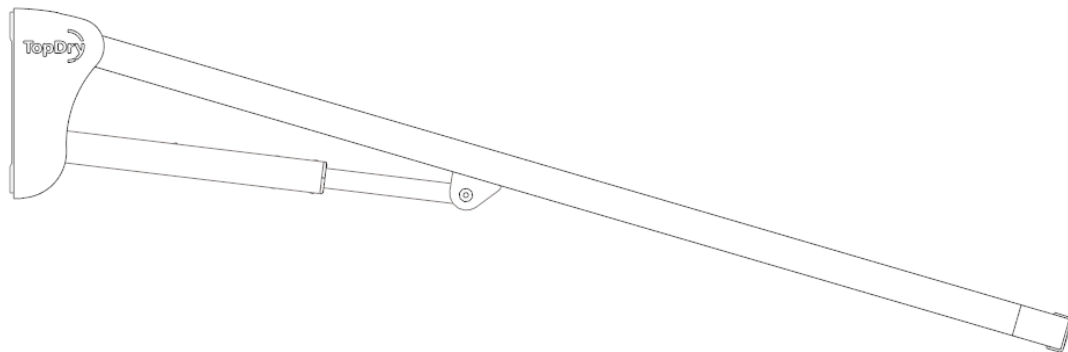
1. Locked open at maximum height. Great for drying large sheets and towels
2. Locked open at low height. Perfect for hanging out small items
3. Closed. For when the clothesline is not in use it can be folded flat against the wall.

### **Operation**

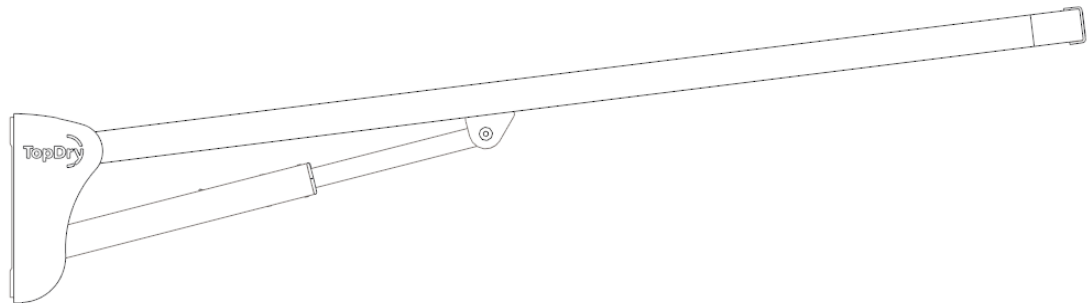
1. Grip the Front Bar by the Handle and lift from the closed position. The struts will click when they reach the low height. Release the handle.
2. To lock the struts at the maximum height grip the Handle on the Front Bar and lift until the struts click. Release the handle.
3. To lower the clothesline to its folded closed position, grip the Handle on the Front Bar and raise it above the maximum height position until the struts click. Gently lower the Front Bar until the clothesline is in its folded position.



Closed Position



Low Height



Maximum Height

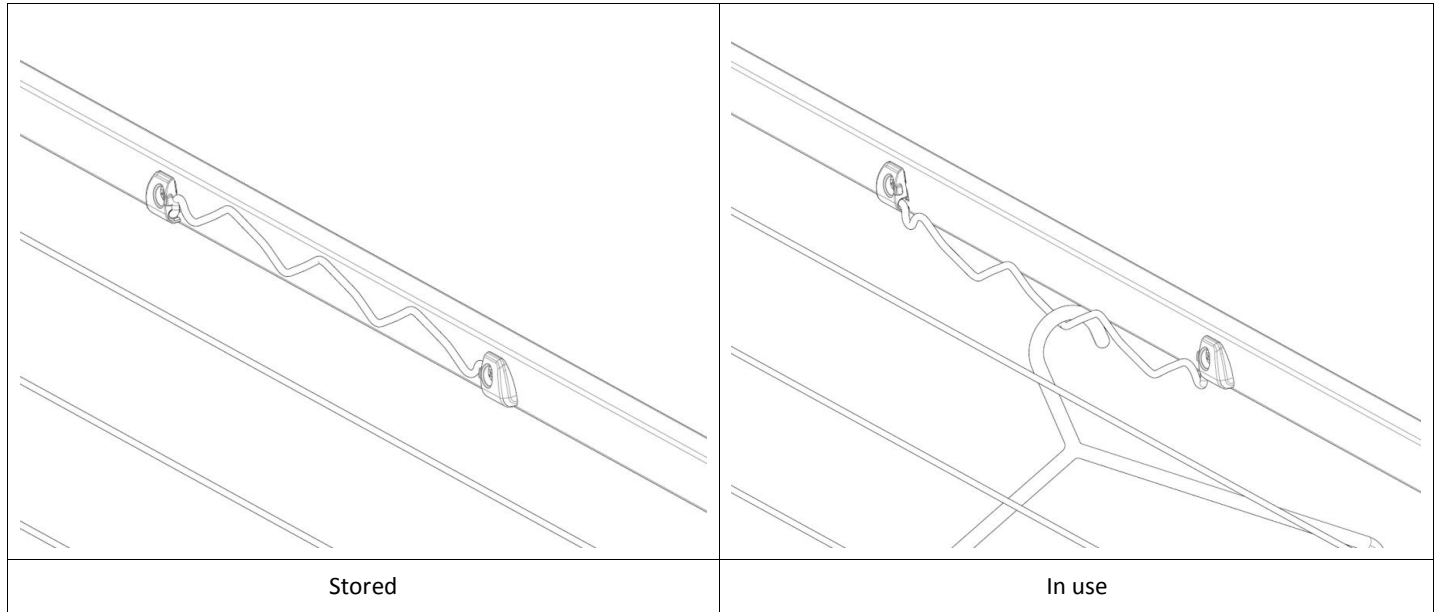
## Product Features

### Coat Hanger Racks

TOPDRY Double and Single Folding Frame clotheslines have Coat Hanger Racks located on the inside of the Front Bars. These racks provide a secure place to hang coat hangers for drying shirts and trousers.

### Operation

To use the Coat hanger rack, pivot it downwards to unlock it from its stored position. When not in use pivot it upwards to clip it back into the storage position.



## **Care and Maintenance**

Clean your Folding Frame clothesline with a damp cloth including the frame and struts. Clean the clothesline more regularly in dusty conditions.

To prevent marks on white clothing, towels and sheets ensure the lines are regularly wiped clean of dust

Regularly check your clothesline for damage or wear and tear and that all screws are tight. If parts need to be replaced do so before further use and always use genuine TOPDRY spare parts.

## Warranty - Terms and Conditions

Any claim under this warranty must be made within ten years of the date of purchase of the product. Please note that the PVC line is only covered for 12 months from date of purchase.

To make a claim under the warranty, take the product (with proof of purchase) to any Bunnings store (see [www.bunnings.com.au](http://www.bunnings.com.au) for store locations).

Sales Force National Pty Ltd (t/a Zenexus) bears reasonable, direct, expenses of claiming under the warranty. You may submit details and proof into any Bunnings store for consideration.

The warranty covers manufacturer defects in materials, workmanship and finish under normal use.

This warranty is provided in addition to other rights and remedies you may have under law: our goods come with guarantees which cannot be excluded under the Australian Consumer Law. You are entitled to replacement or refund for a major failure and to compensation for other reasonably foreseeable loss or damage. You are also entitled to have the goods repaired or replaced if the goods fail to be of acceptable quality and the failure does not amount to a major failure. If the clothesline is repaired or partly replaced under warranty the original warranty will not be extended.

The warranty excludes damage resulting from product misuse or product neglect. The warranty covers domestic use only and does not apply to commercial applications.

This warranty is given by Sales Force National Pty Ltd (t/a Zenexus), ABN: 60 110 379 587. Phone: 1300 734 714 (AU), 0800 800 040 (NZ). E-mail: [customerservice@zenexus.com.au](mailto:customerservice@zenexus.com.au) (AU), [customerservice@zenexus.co.nz](mailto:customerservice@zenexus.co.nz) (NZ). Website: [www.zenexus.com.au](http://www.zenexus.com.au).

## WARRANTY EXCLUSIONS

Fading due to weather exposure or damage to the frame and line through accident misuse or negligence.



