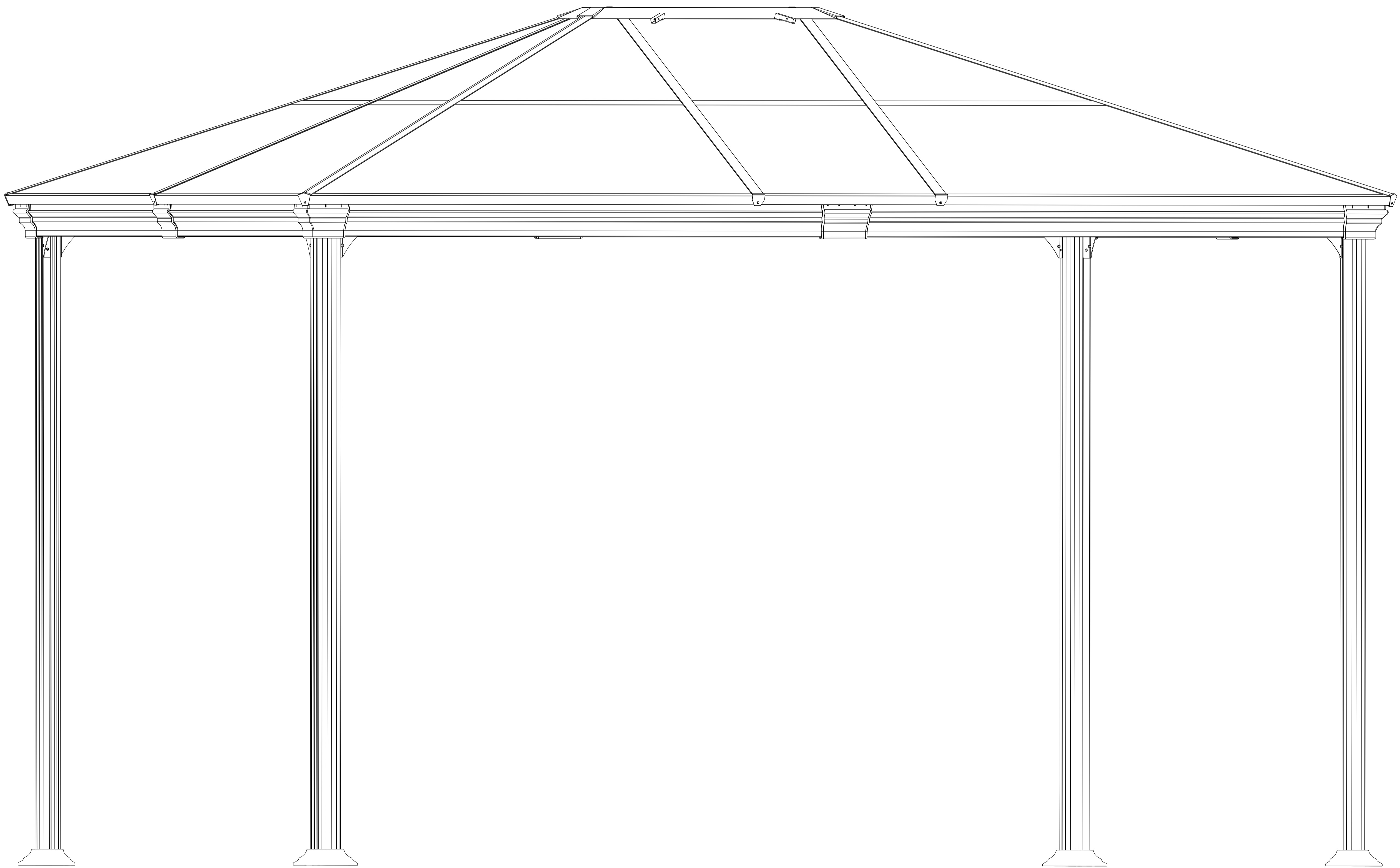


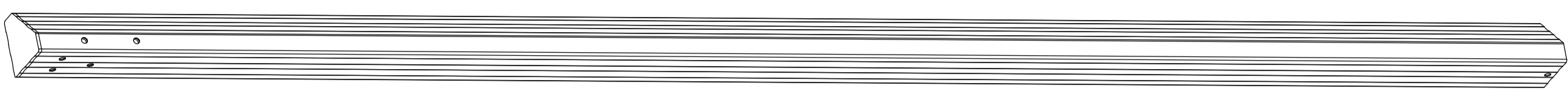
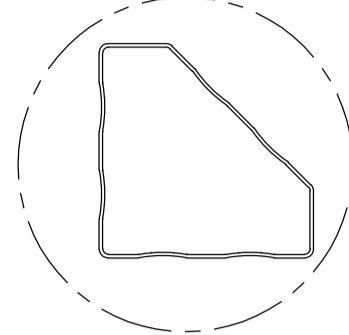
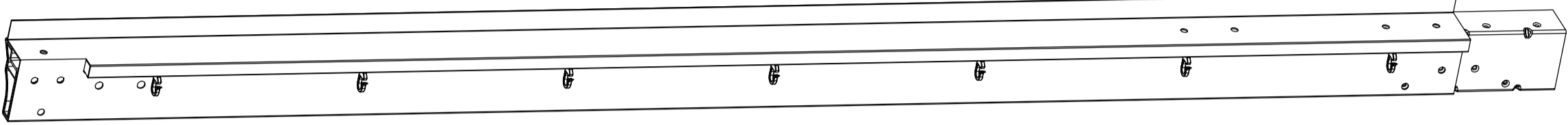
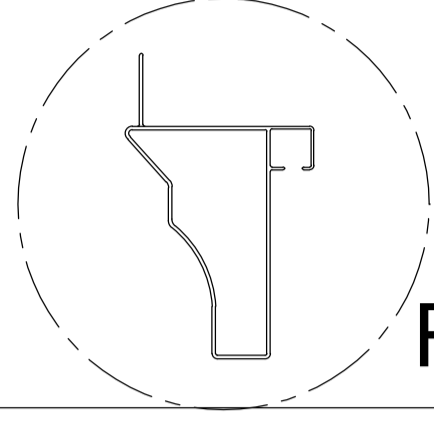
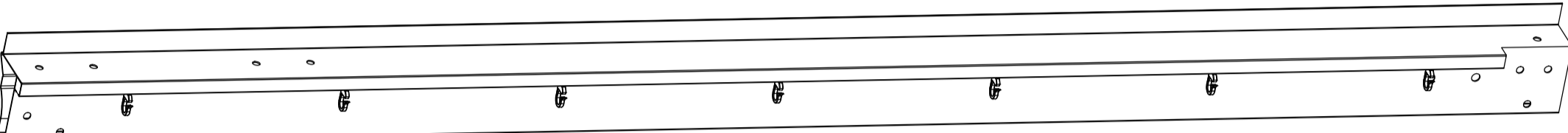
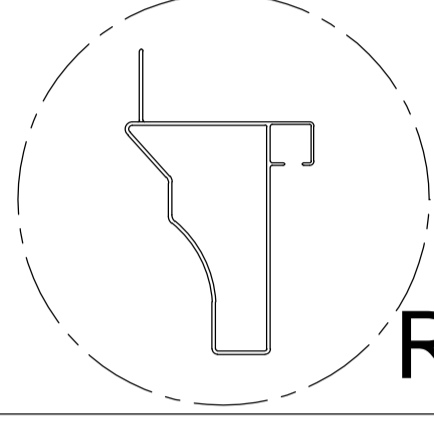
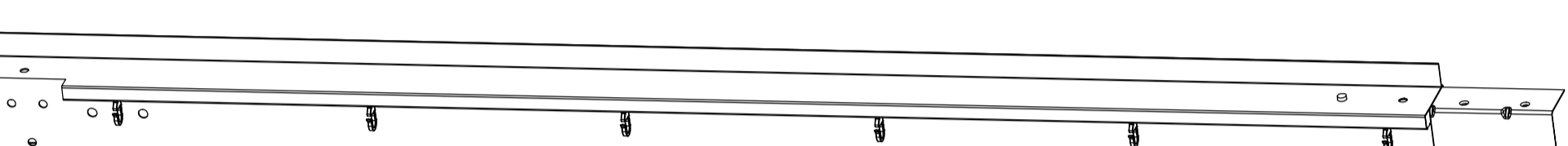
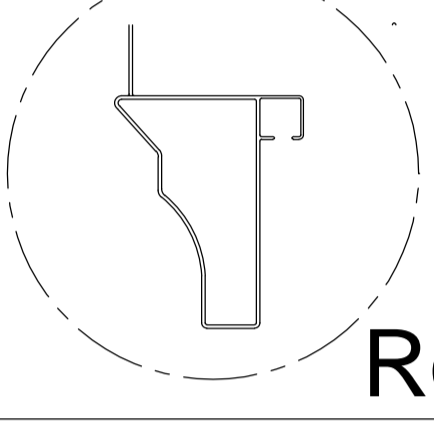
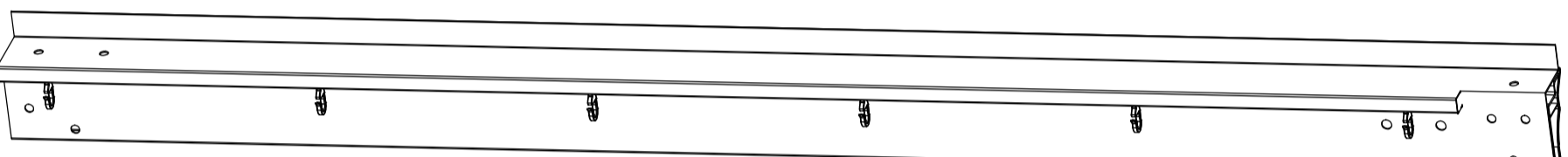
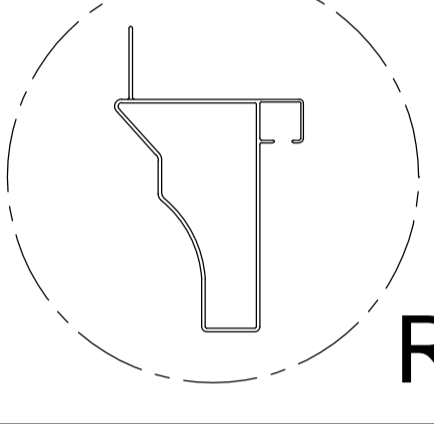
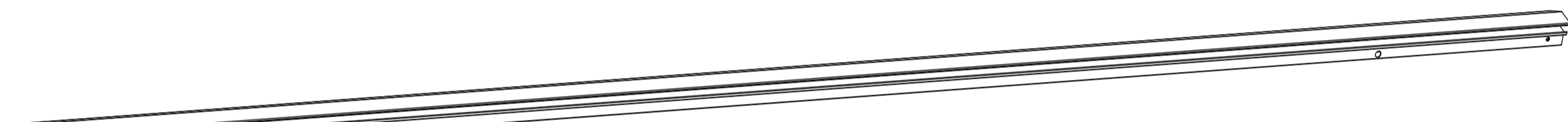
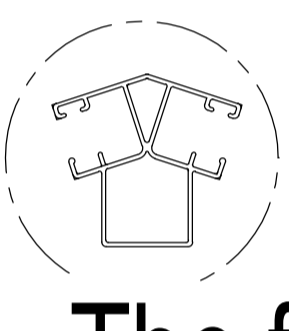
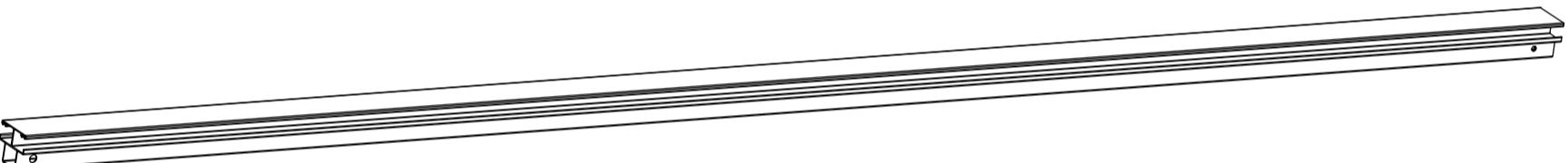
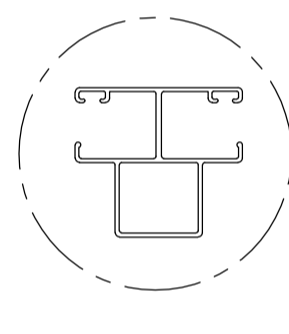
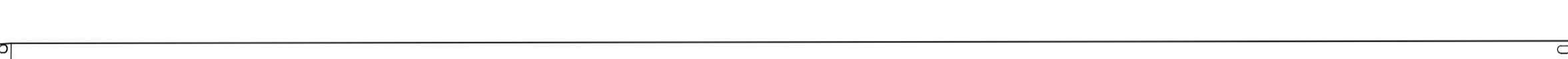





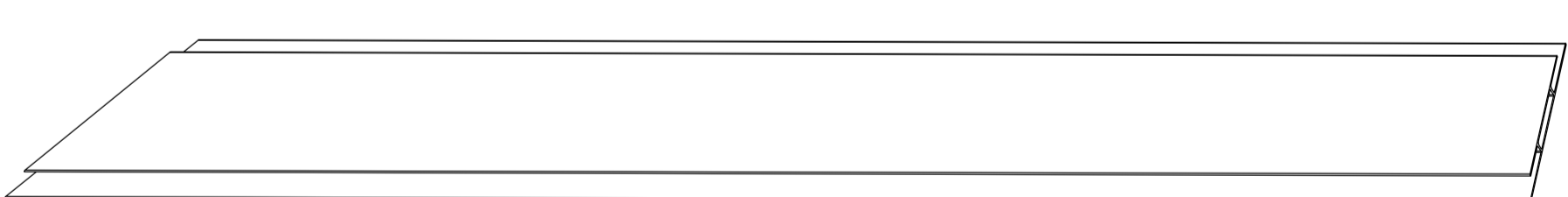
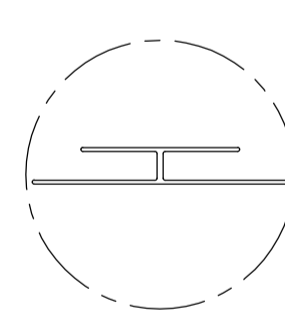
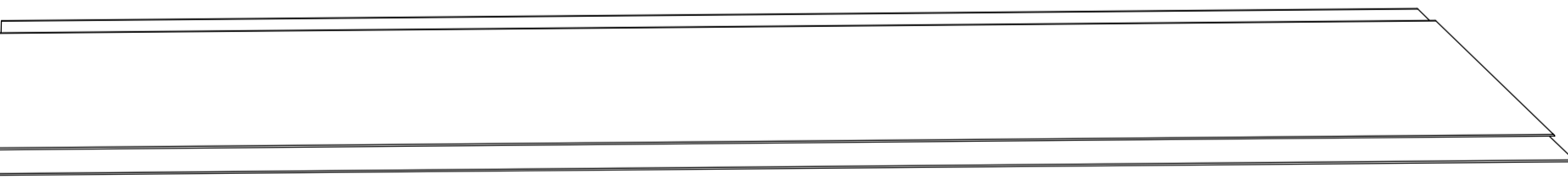
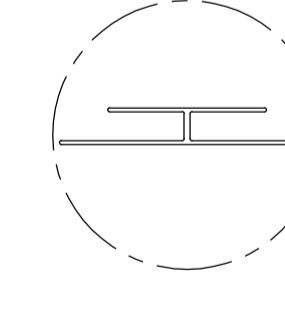
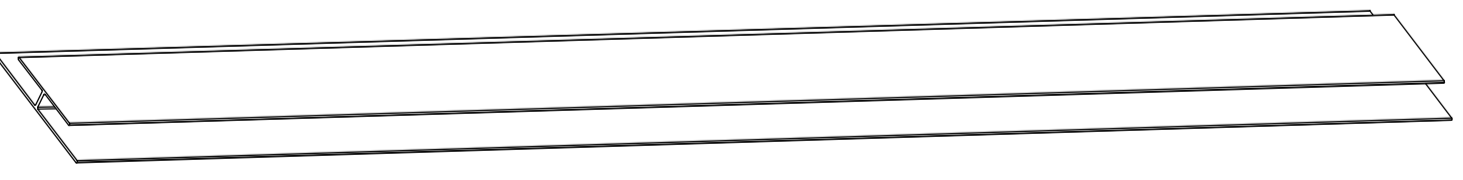
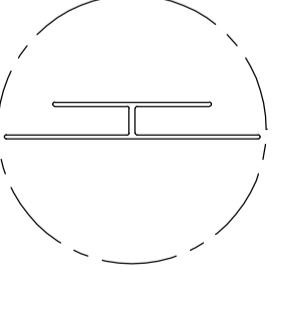
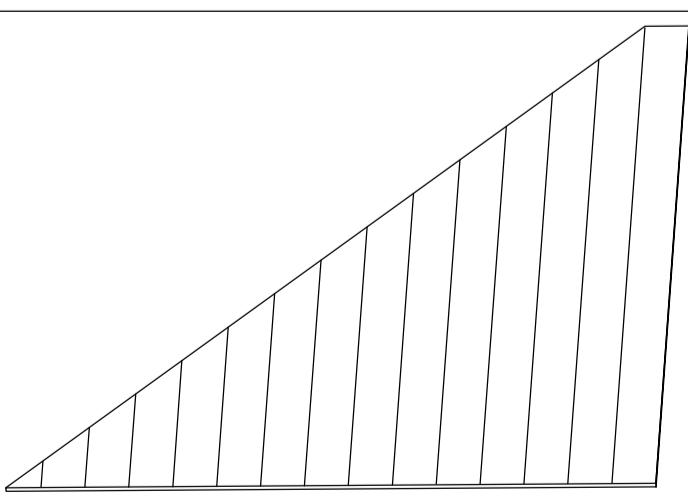
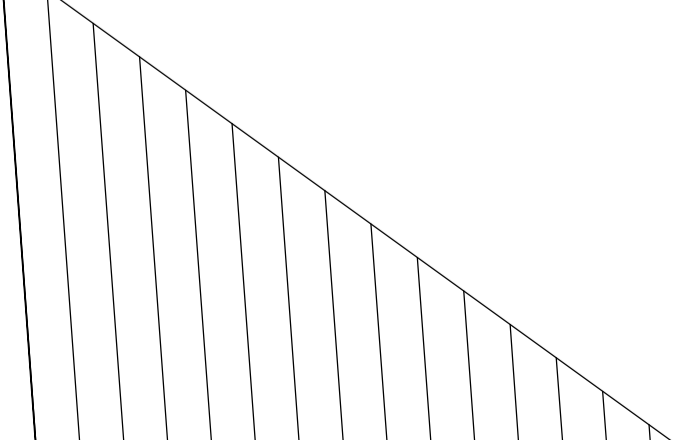
PALERMO GAZEBO

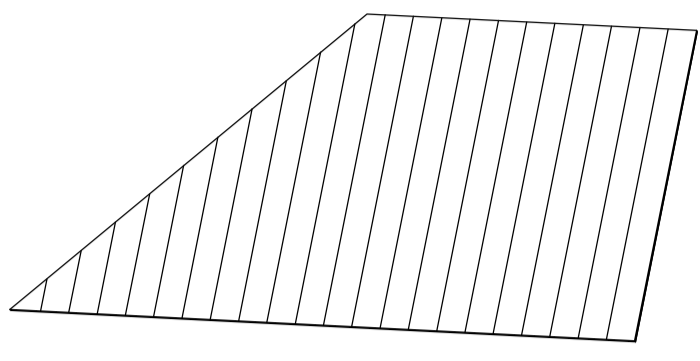
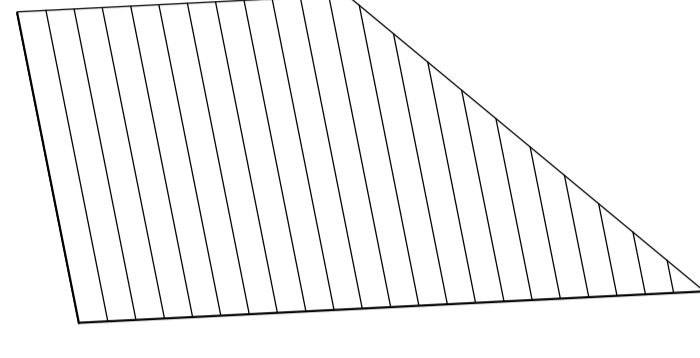
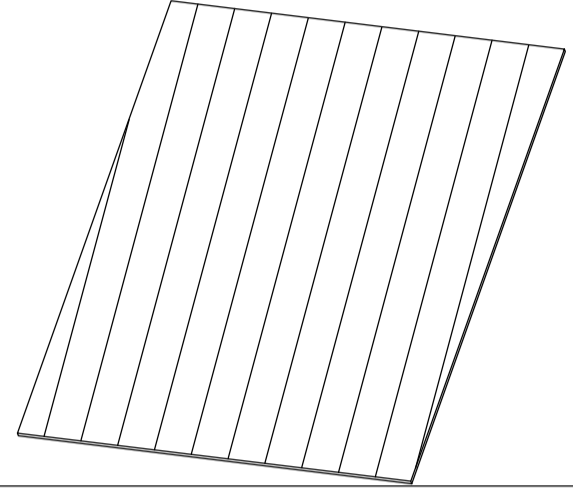
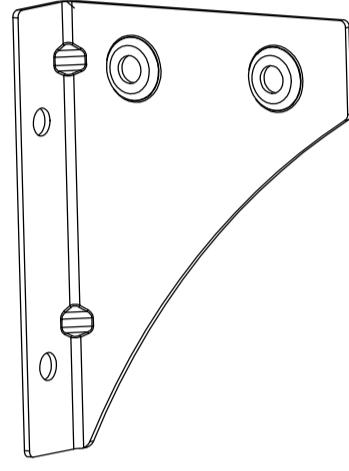
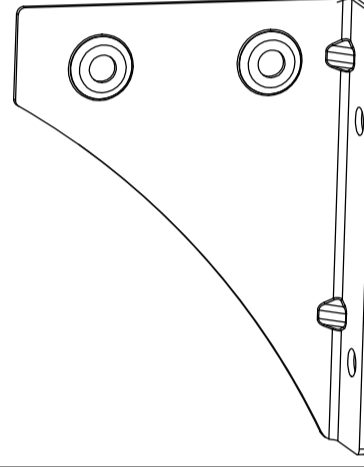
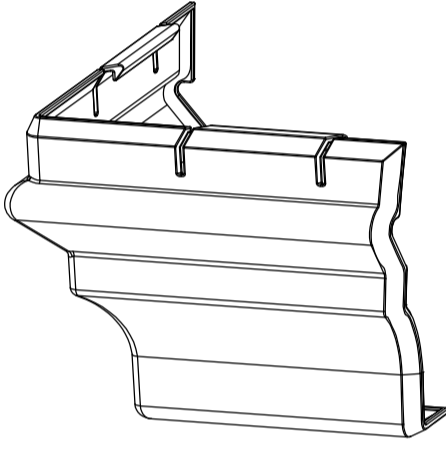
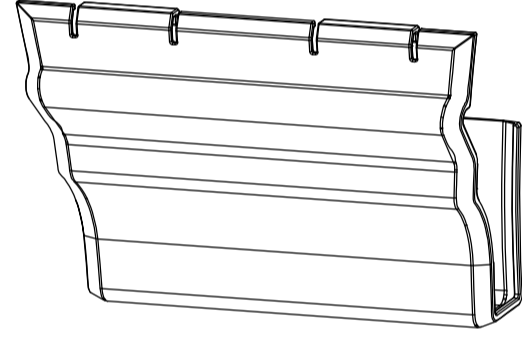
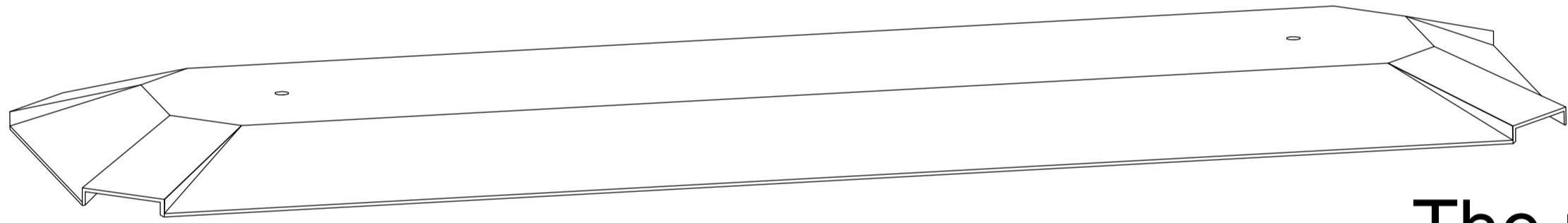
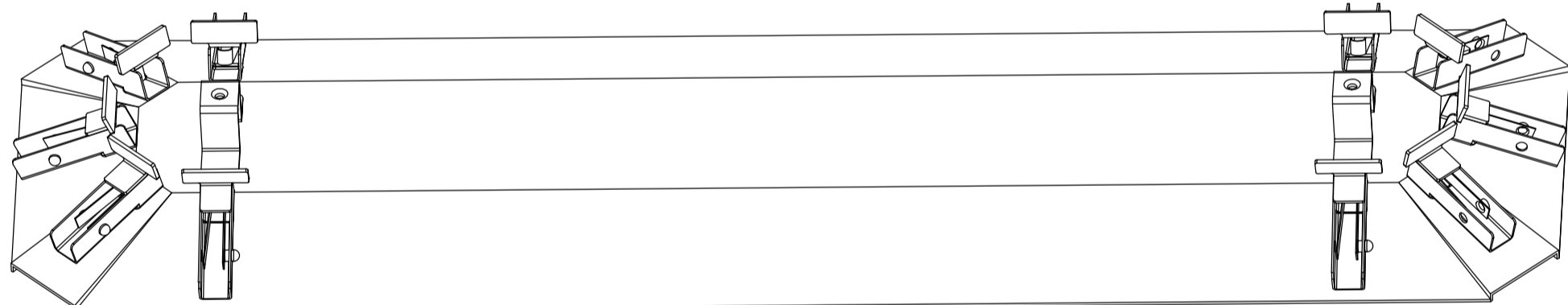
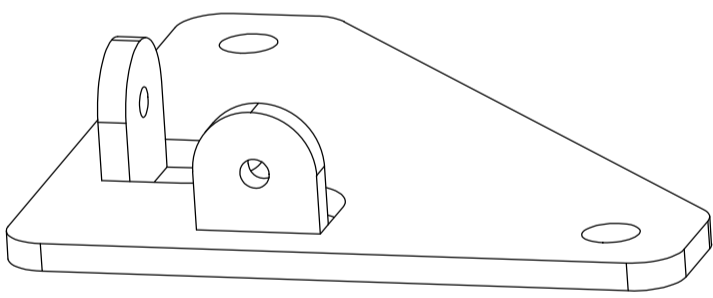
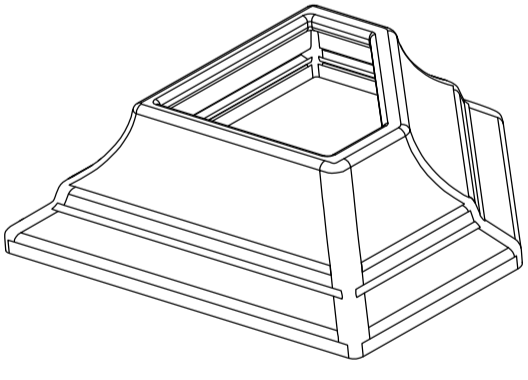
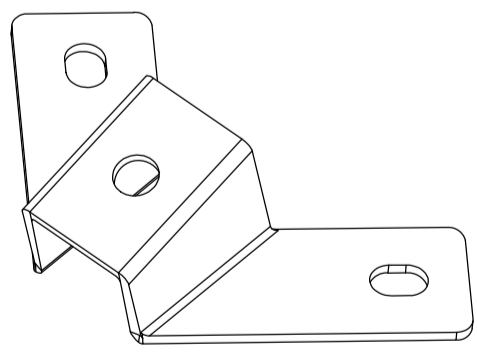
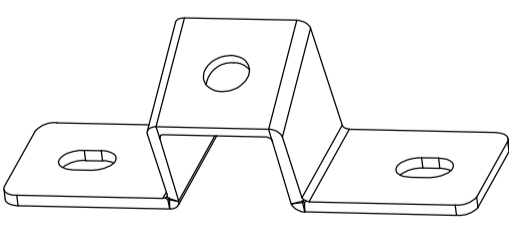
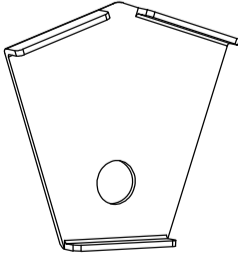
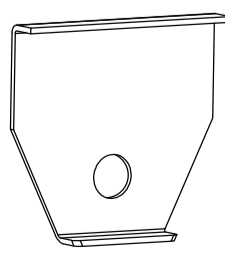
3.0 X 3.6M

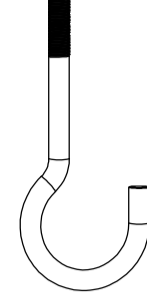
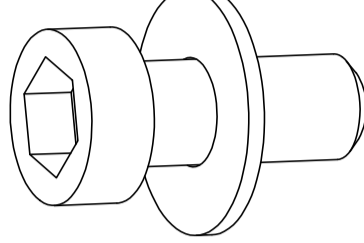
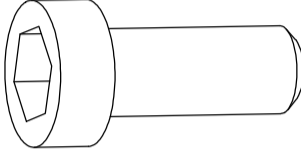
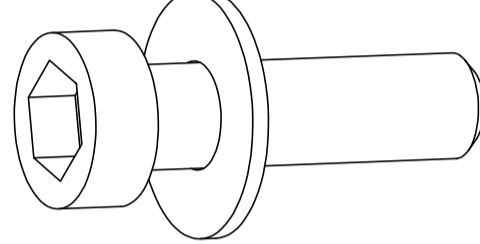

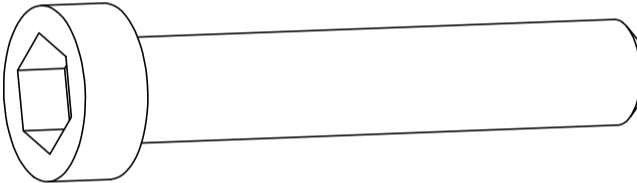
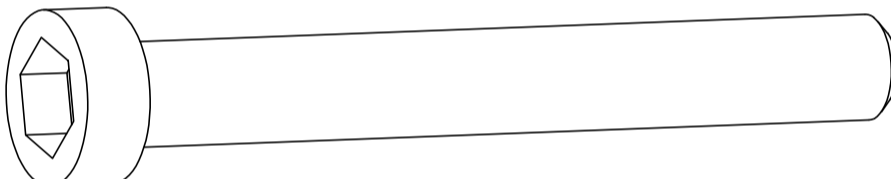
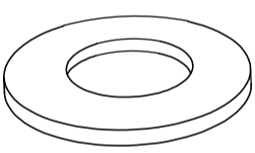
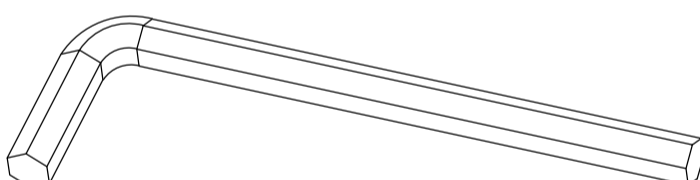
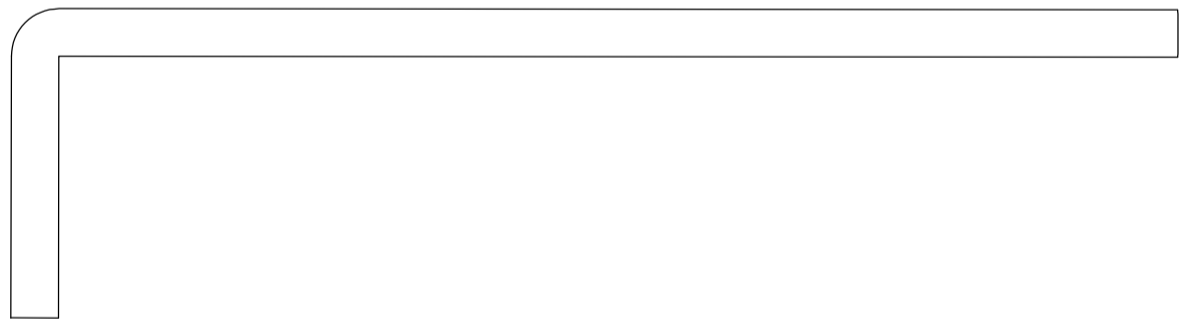
Assembly Instructions

Item number: 3192508



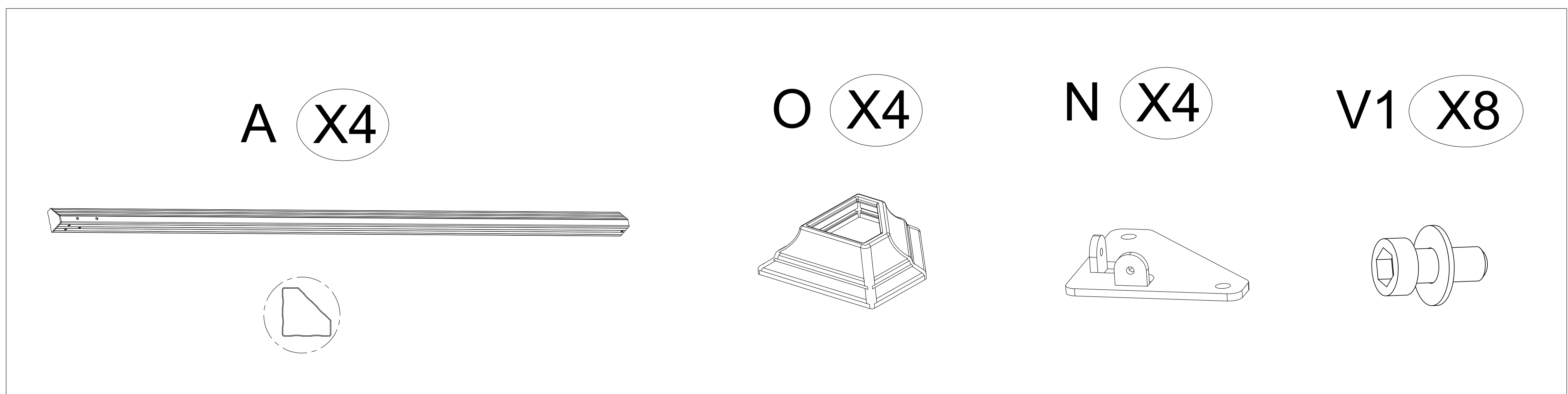
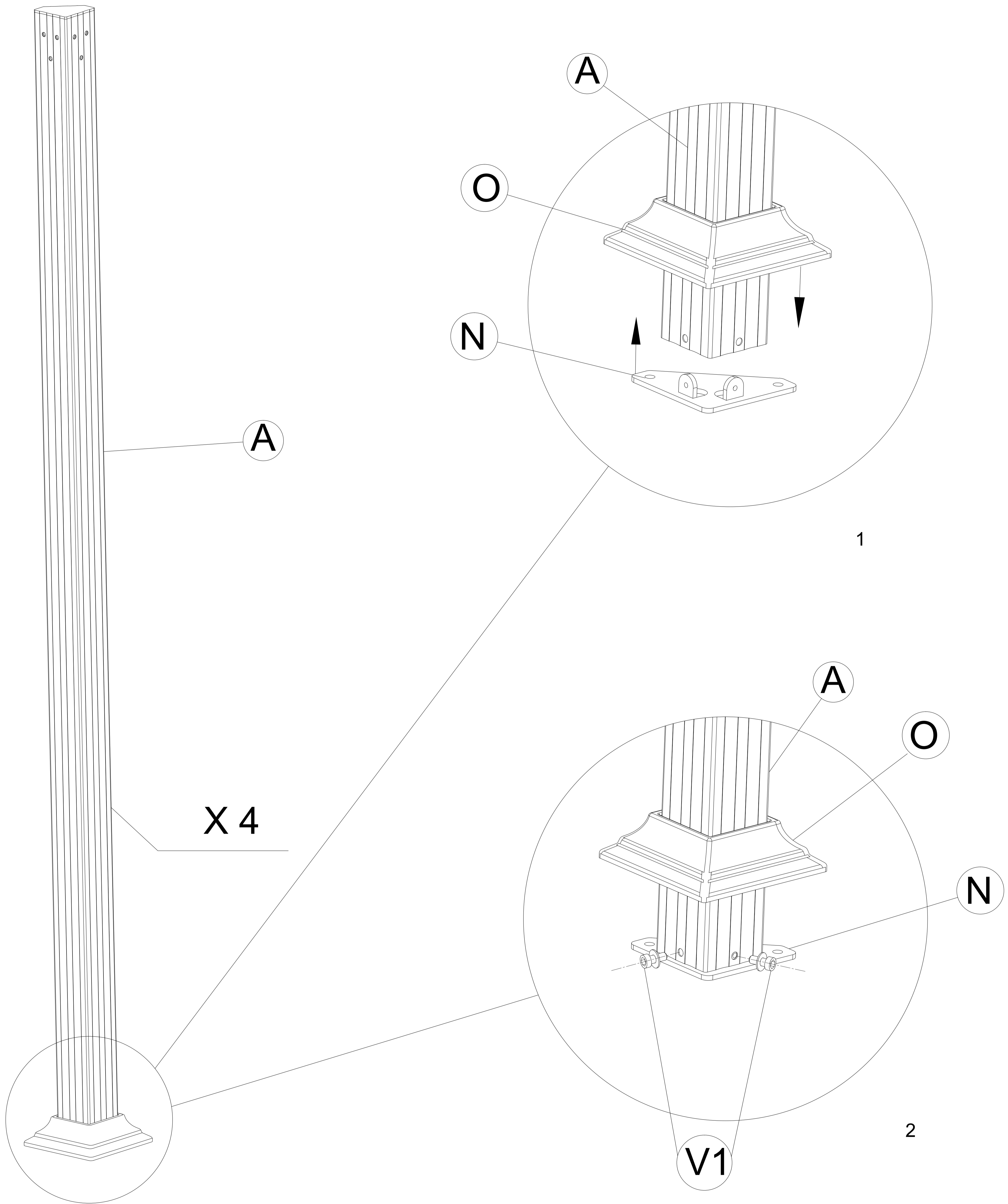
REF	PCE	PIECE	QTY	DIM
	A	  Leg tube	4	
	B	  Roof frame	2	
	B1	  Roof frame	2	
	B2	  Roof frame	2	
	B3	  Roof frame	2	
	C	  The four inclined tube	4	
	C1	  The middle inclined tube	6	
	D	  Surrounding edge tube	4	
	D1	  Surrounding edge tube	4	
	D2	  Surrounding edge tube	2	
	E	  The powder layer	4	
	E1	  The powder layer	4	
	E2	  The powder layer	2	
	F	 polycarbonate panel	4	
	F1	 polycarbonate panel	4	

REF	PCE	PIECE	QTY	DIM
	G	 polycarbonate panel	4	
	G1	 polycarbonate panel	4	
	H	 polycarbonate panel	4	
	I	 Angle plate of supporting	4	
	I1	 Angle plate of supporting	4	
	J	 The four package plate	4	
	K	 The middle package plate	4	
	L	 The plate on the top	1	
	M	 The plate up the top	1	
	N	 Leg base	4	
	O	 Leg base cover	4	
	P	 Four cape corner fittings	4	
	Q	 Middle cape corner fittings	6	
	R	 Inclined top outside iron	4	
	R1	 Outside the top iron	6	

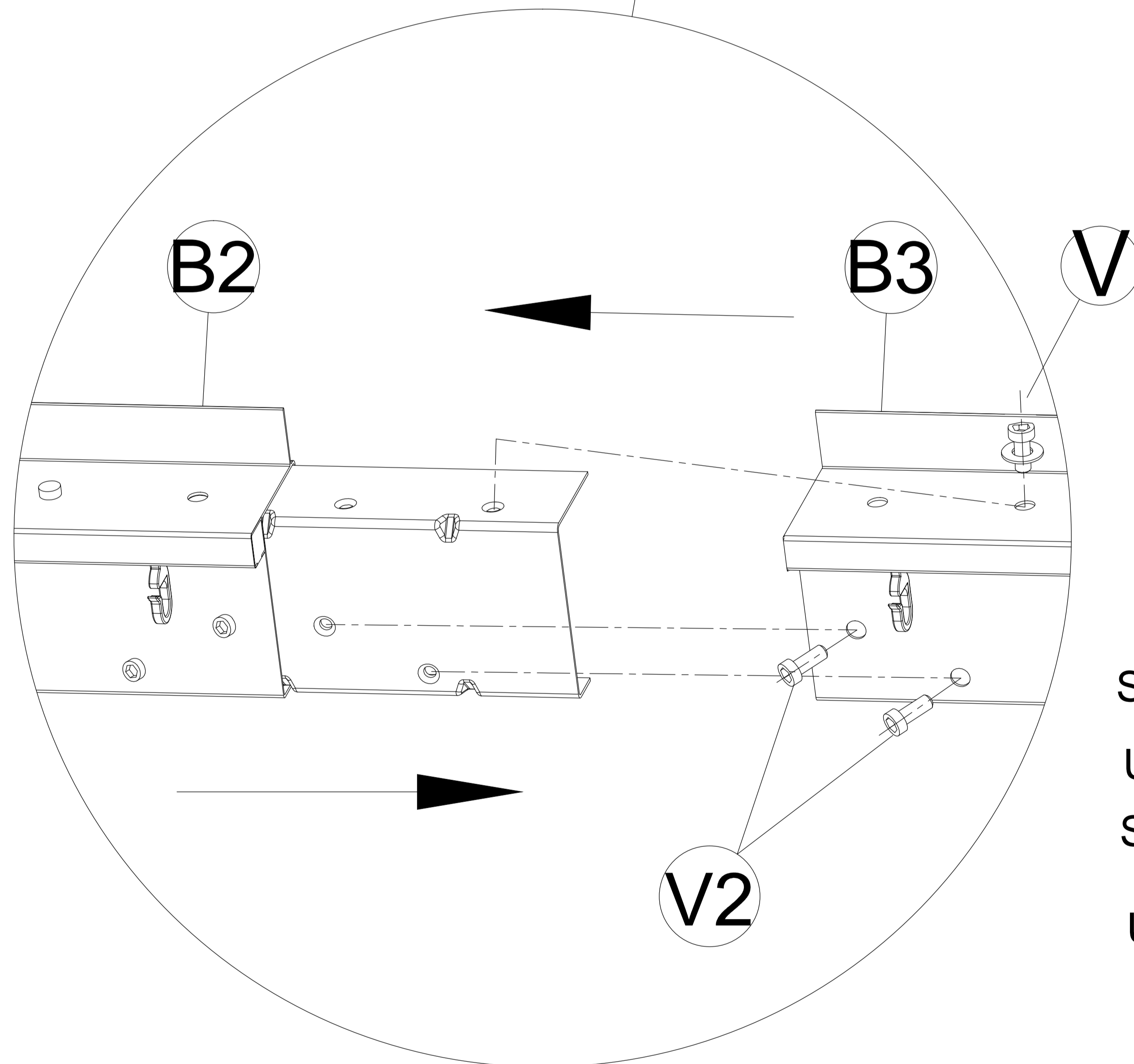
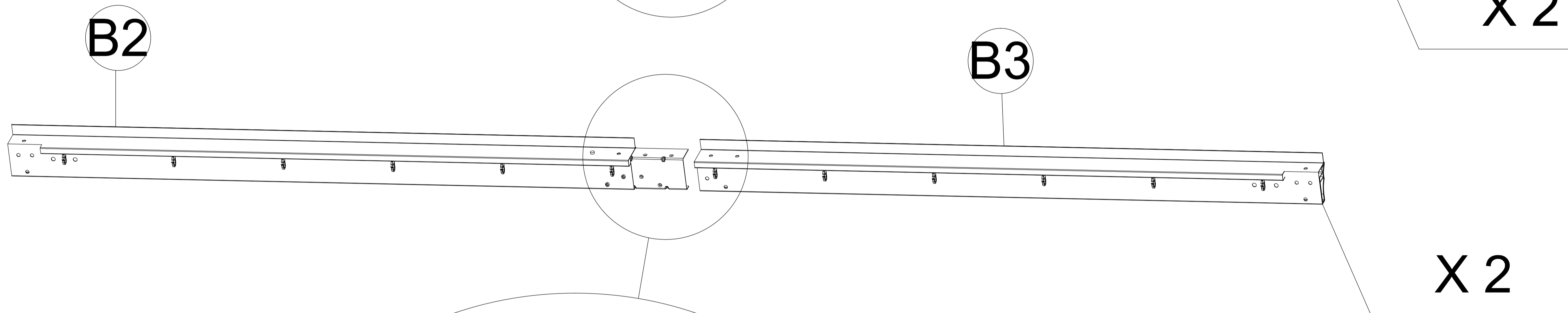
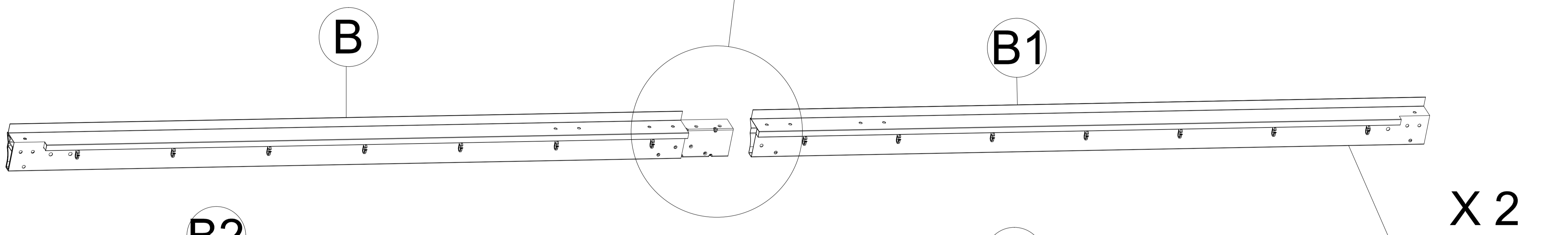
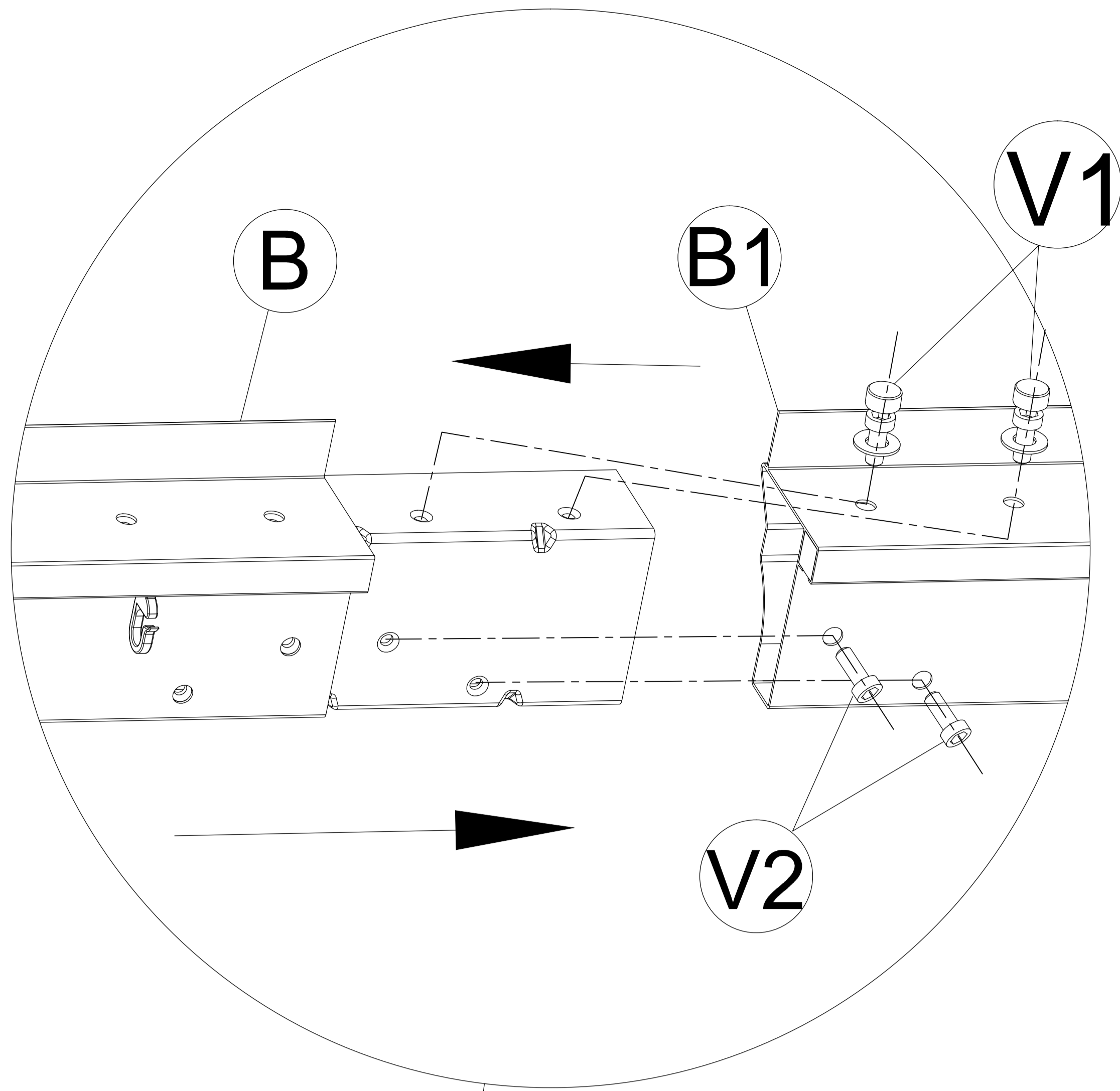
REF	PCE	PIECE			QTY	DIM
	T			Hanging hook	2	
	V1		M6*15	Bolt	76+2	
	V2		M6*15	Bolt	8	
	V3		M6*20	Bolt	10+1	
	V4		M6*20	Bolt	2	
	V5		M6*30	Bolt	8+1	
	V6		M6*45	Bolt	16+1	
	W		Ø7*Ø14*2.0	Washer	2	
	Y			Allen Key	2	
	Z			Stake	8	

STEP 01

Connect the leg base cover(O) to the leg tube(A),
secure the leg base (N) and the leg tube (A),
using the allen key (Y) to complete with the bolt (V1)



STEP 02



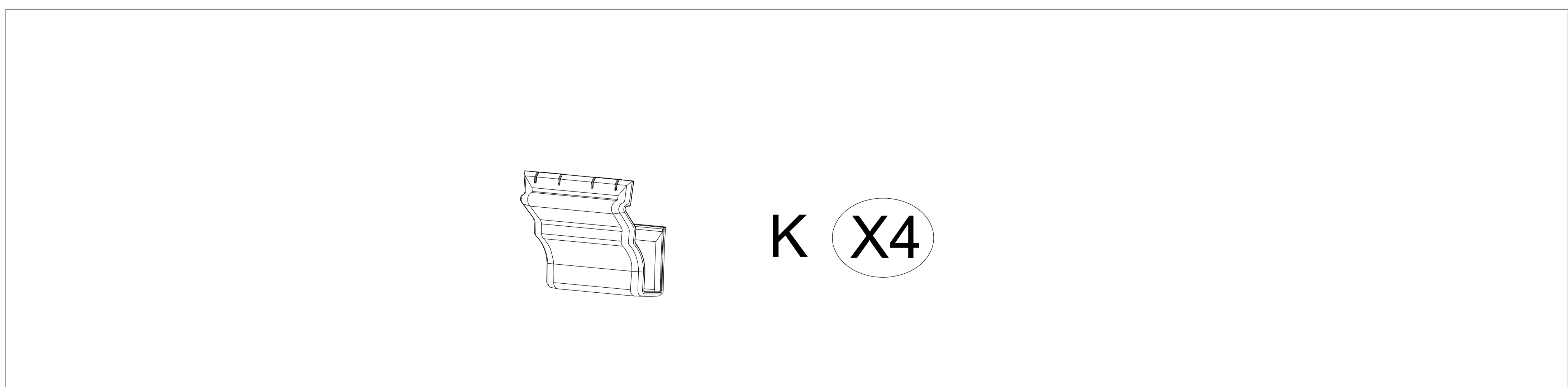
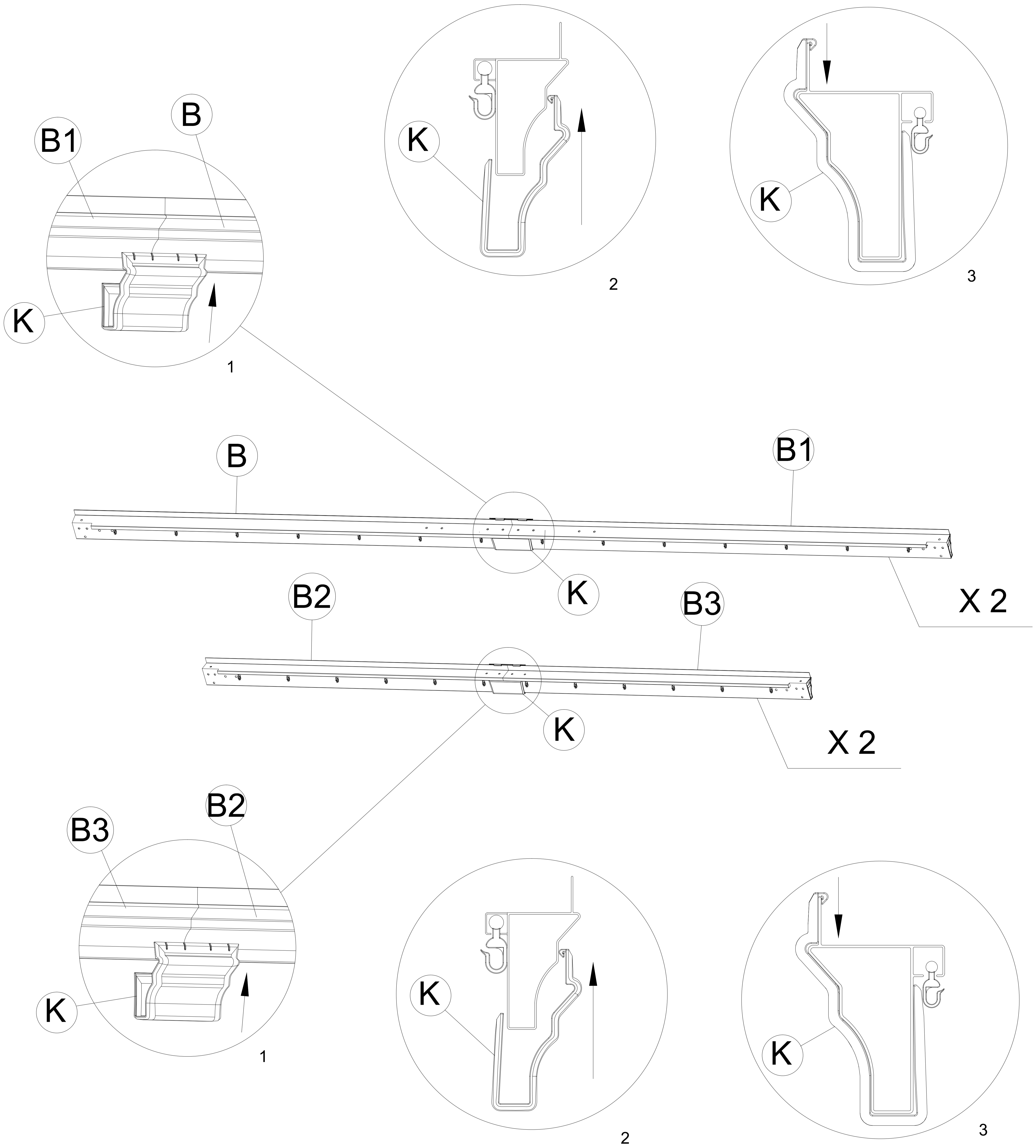
Secure the ring beam(B)to the ring beam(B1).
 Using the allen key (Y),with bolt (V) and bolt (V2).
 Secure the ring beam(B2)to the ring beam(B3).
 Using the allen key (Y),with bolt (V) and bolt (V2).

		B	X2		V1	X6
		B1	X2			
		B2	X2			
		B3	X2		V2	X8

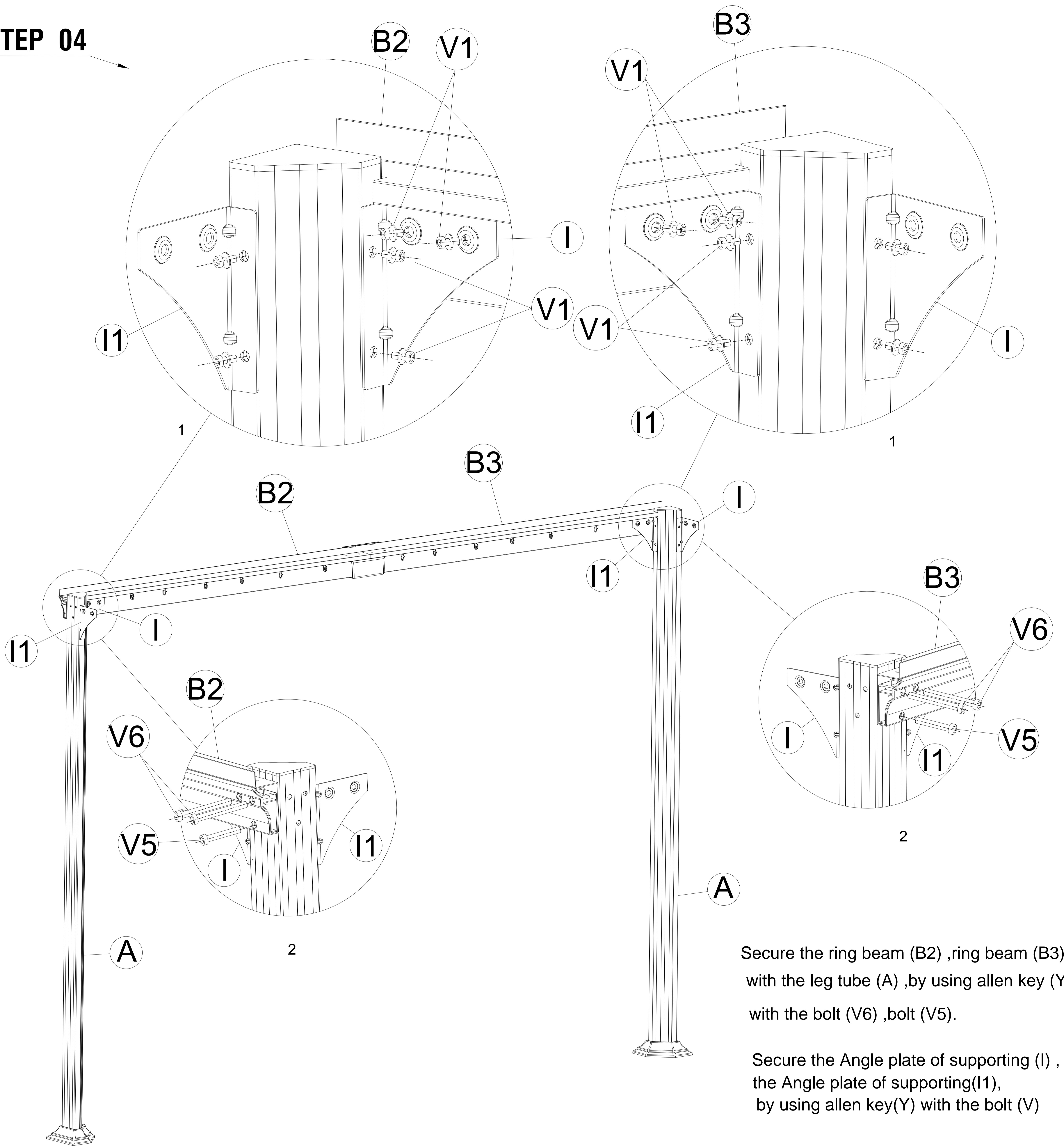
STEP 03

Secure the middle package plate(K)
with the ring beam(B) and ring beam (B1),push.

Secure the middle package plate(K)
with the ring beam(B2) and ring beam (B3),push.

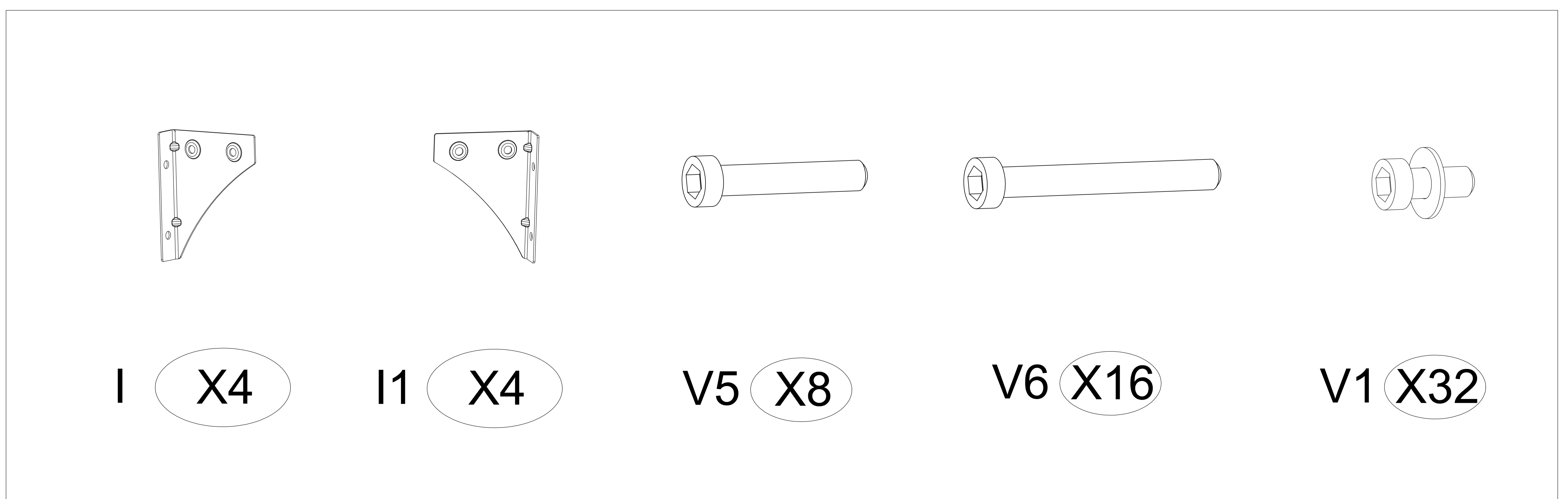


STEP 04

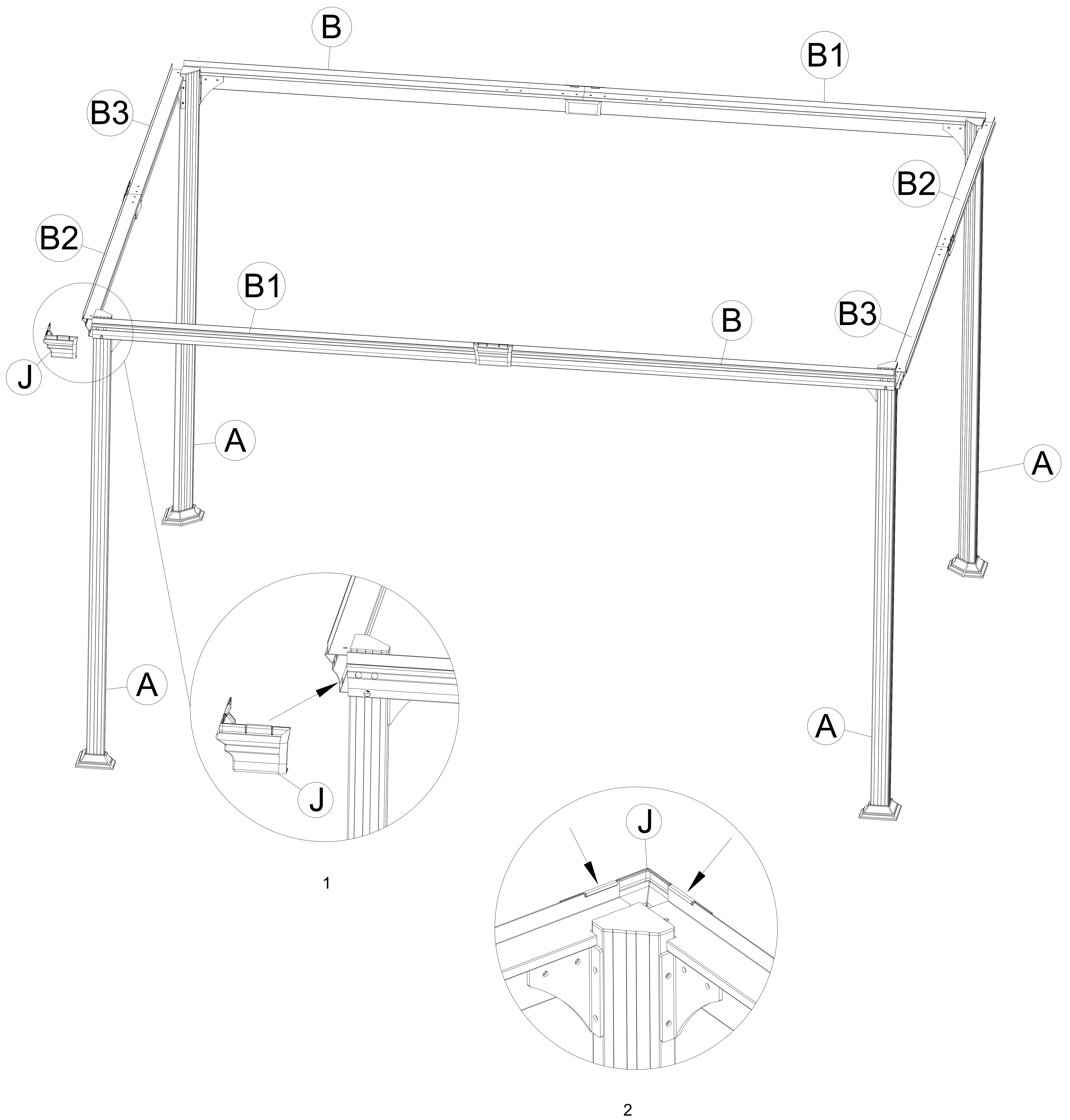


Secure the ring beam (B2) ,ring beam (B3) with the leg tube (A) ,by using allen key (Y) with the bolt (V6) ,bolt (V5).

Secure the Angle plate of supporting (I) , the Angle plate of supporting(I1), by using allen key(Y) with the bolt (V)

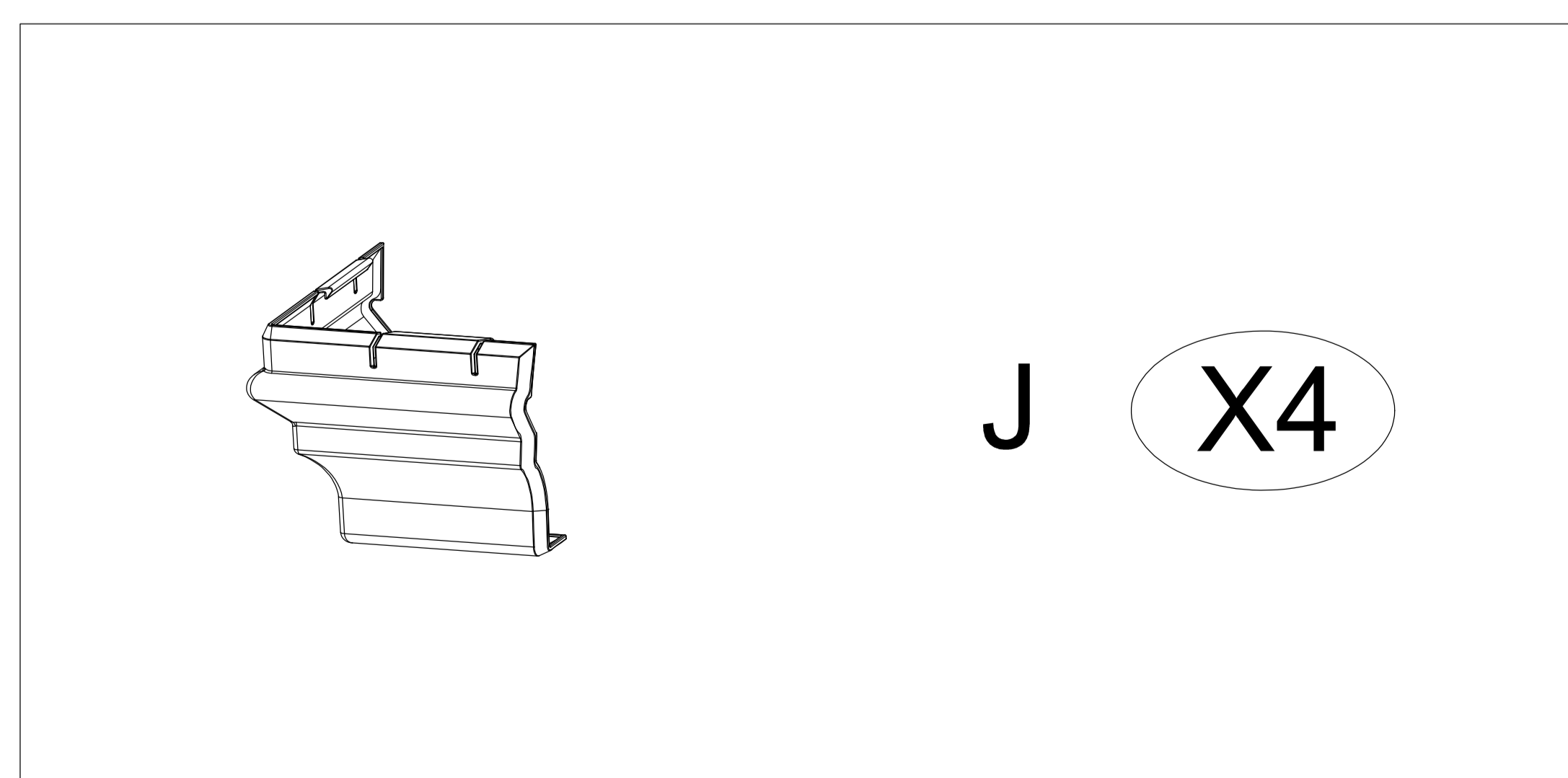


STEP 05

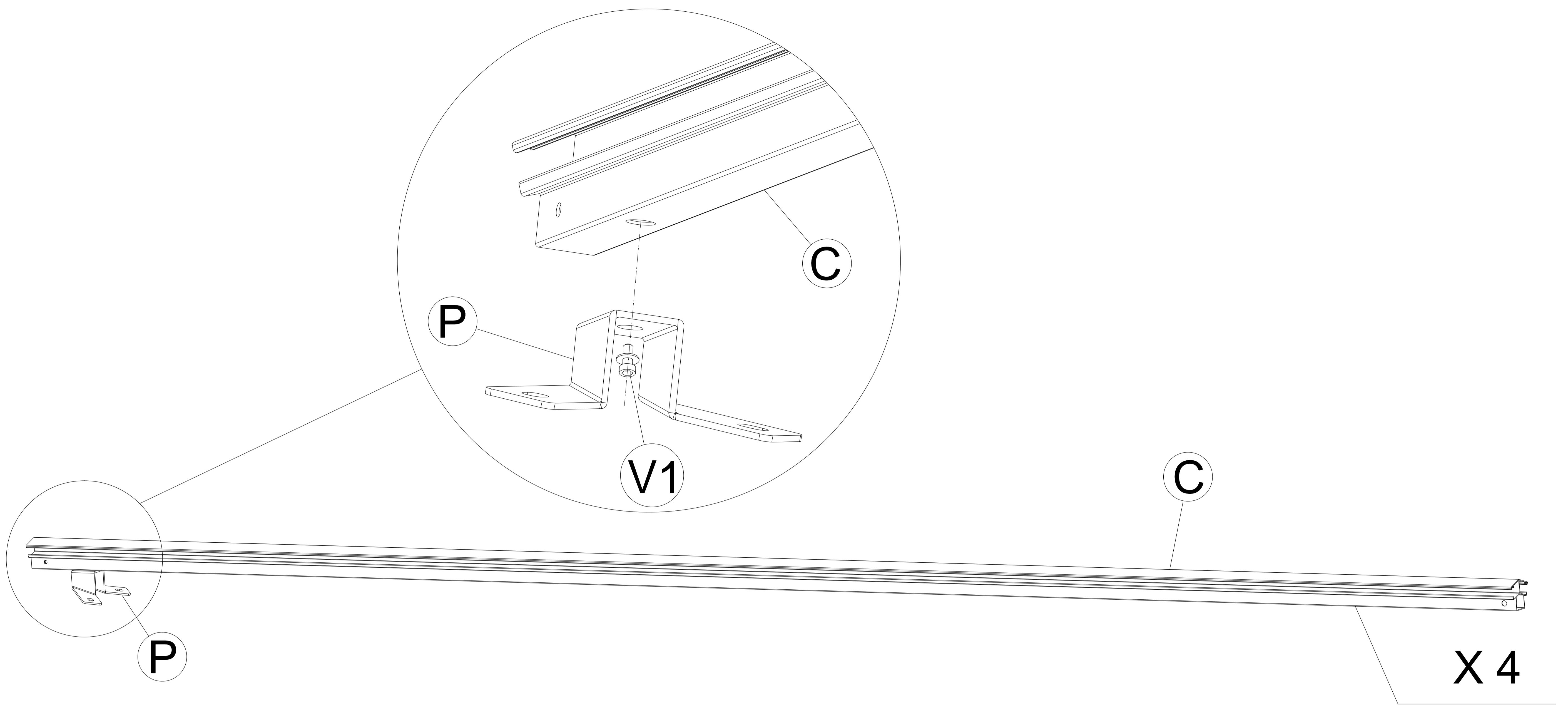


Secure the four package plate(J) with the ring beam (B1) and ring beam (B2),push.

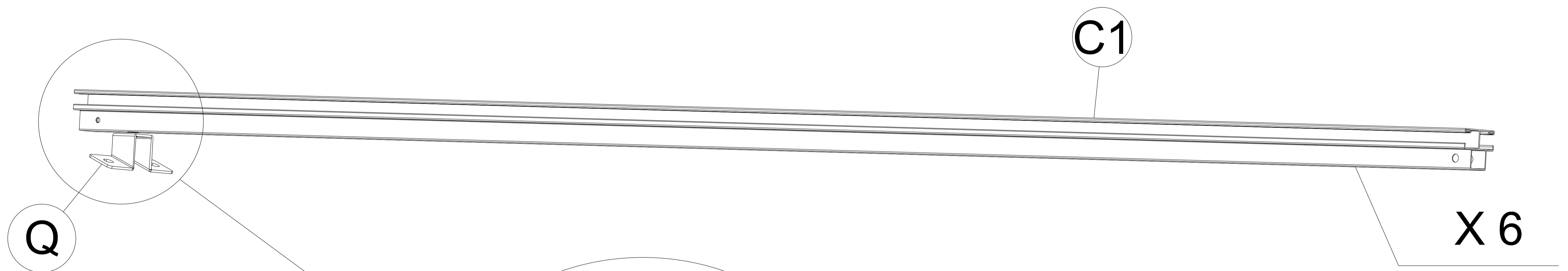
Secure the four package plate(J) with the ring beam (B) and ring beam (B3),push.



STEP 06



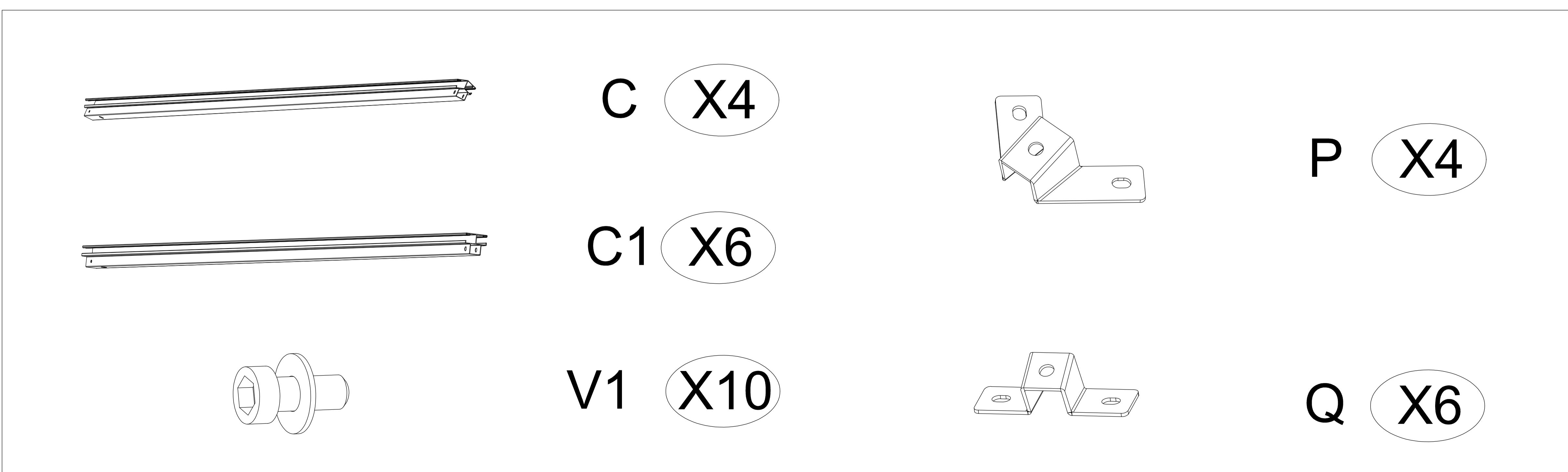
X 4



X 6

Secure Four cape corner fittings (P) with the four inclined tube (C), by using allen key (Y) with the bolt (V)

Secure Middle cape corner fittings (Q) with The middle inclined tube (C1), by using allen key (Y) with the bolt (V)

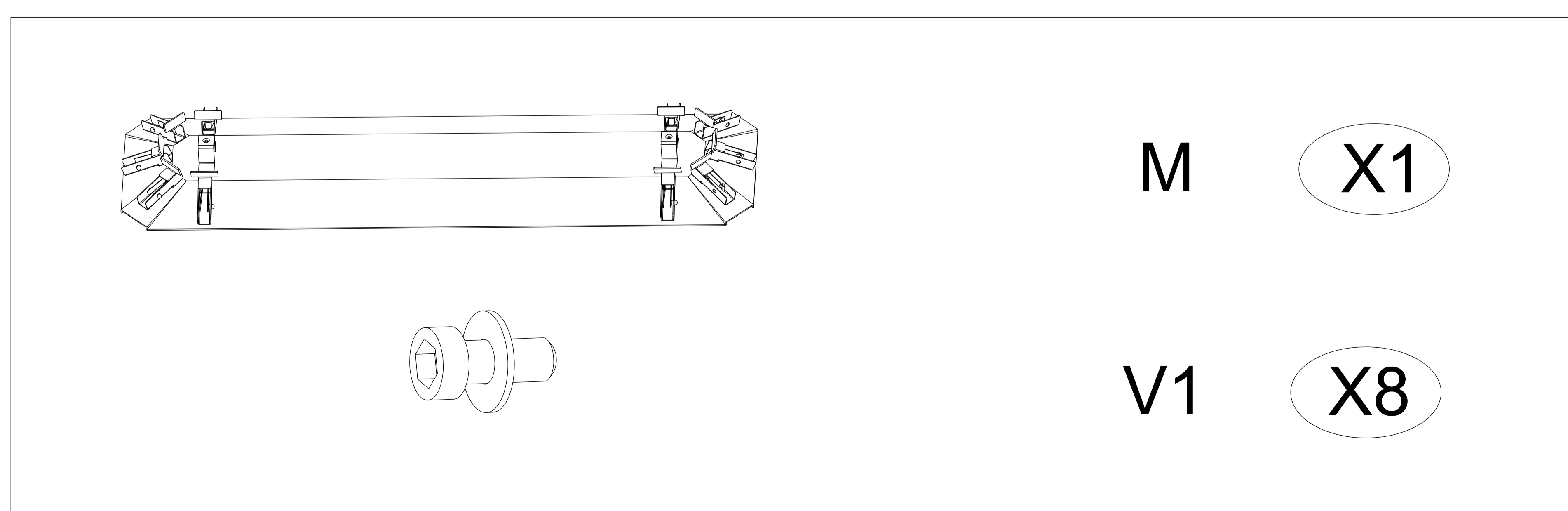
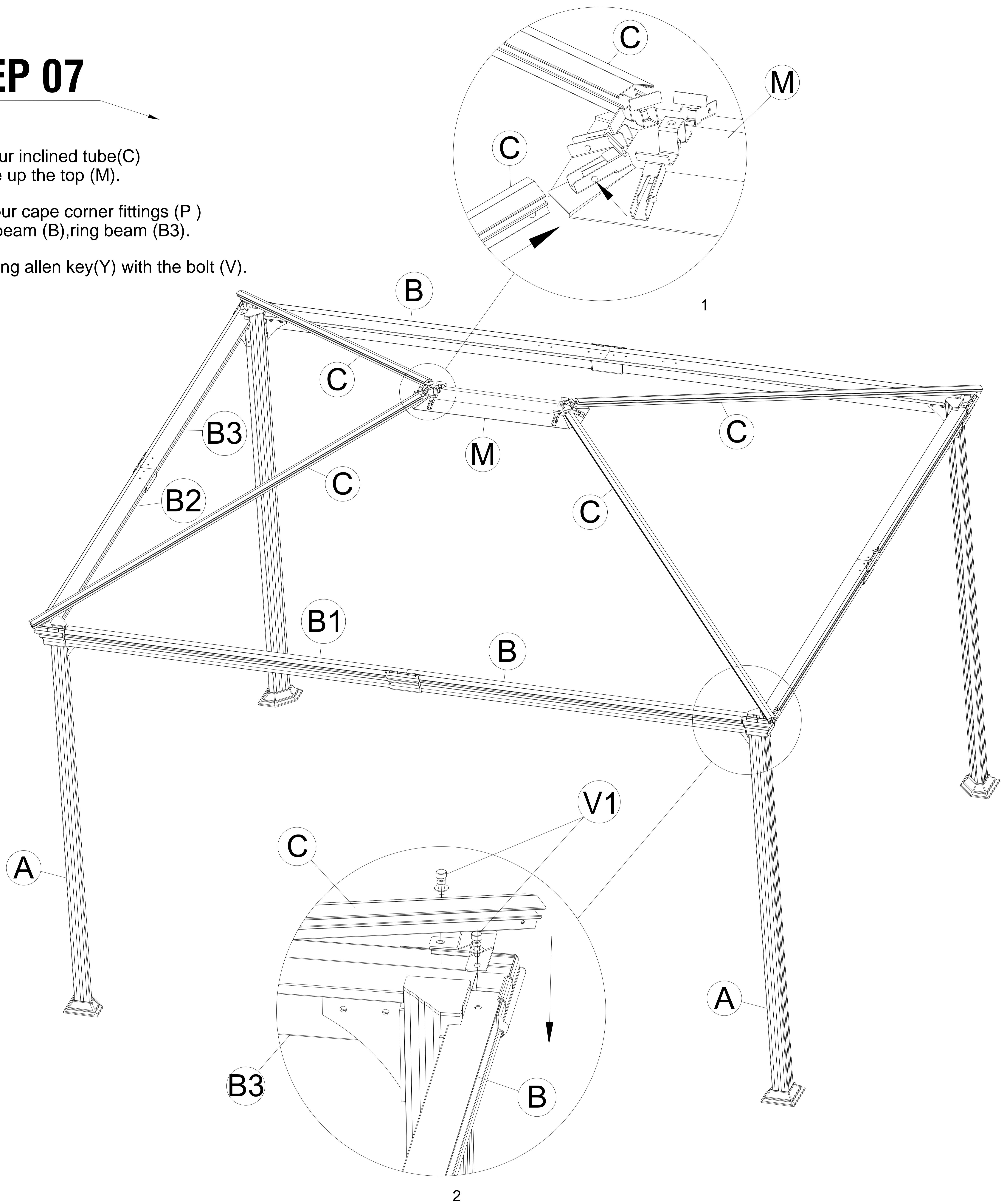


STEP 07

Secure the four inclined tube(C)
with the plate up the top (M).

secure the Four cape corner fittings (P)
with the ring beam (B),ring beam (B3).

Secure by using allen key(Y) with the bolt (V).

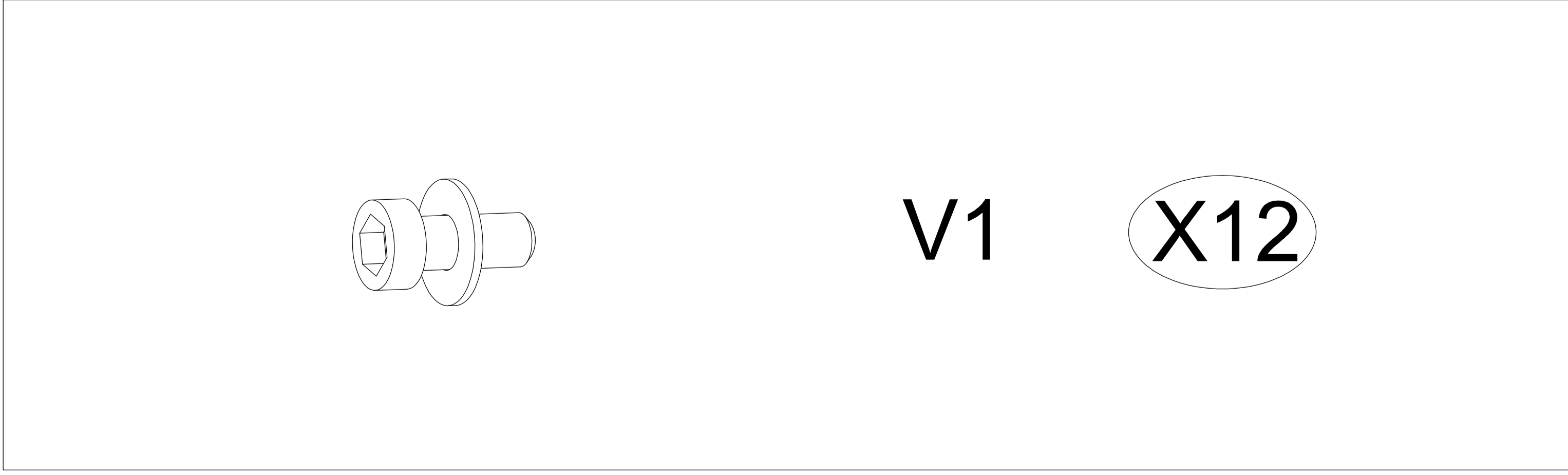
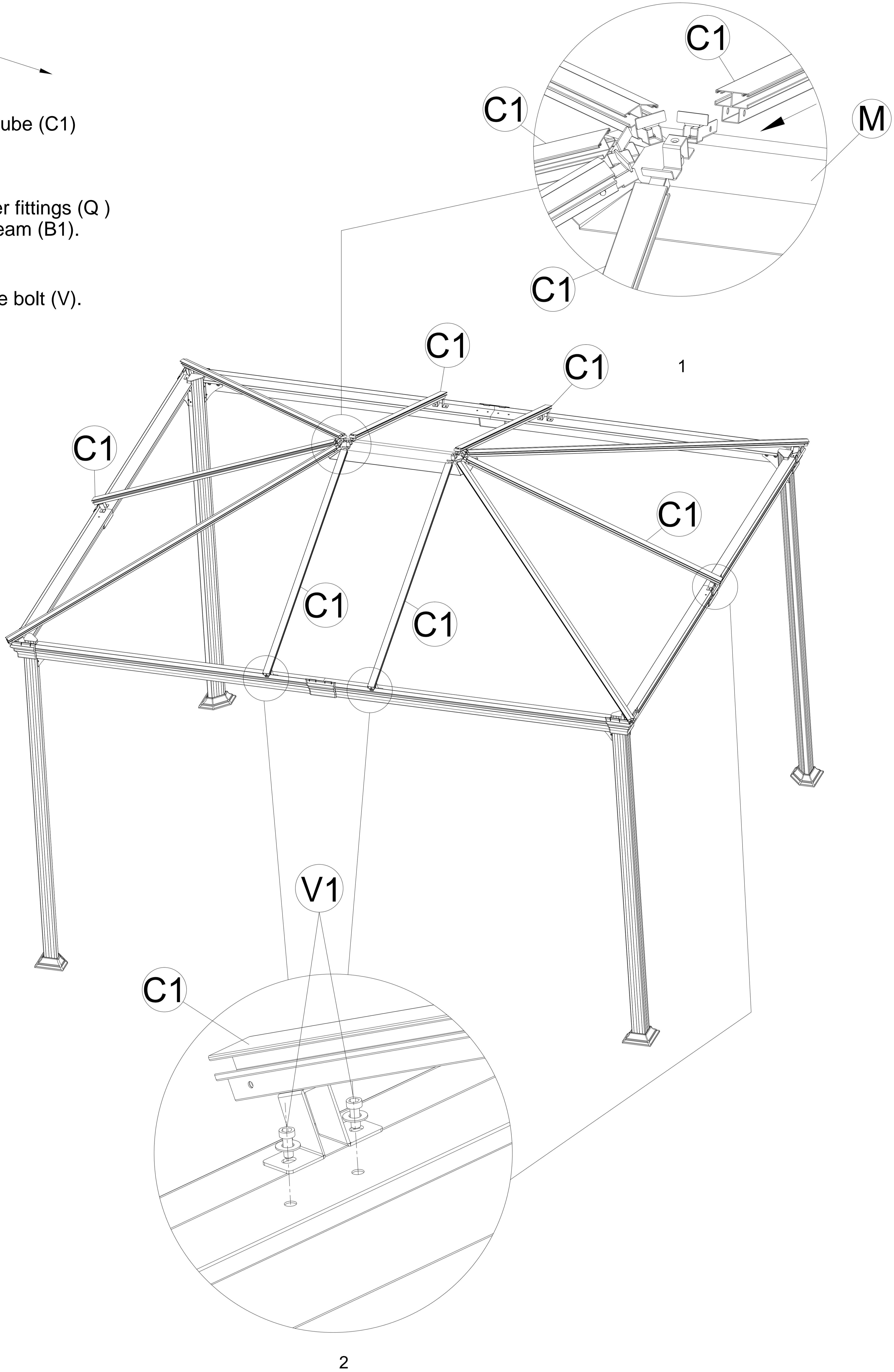


STEP 08

Secure the middle inclined tube (C1) with the plate up the top (M)

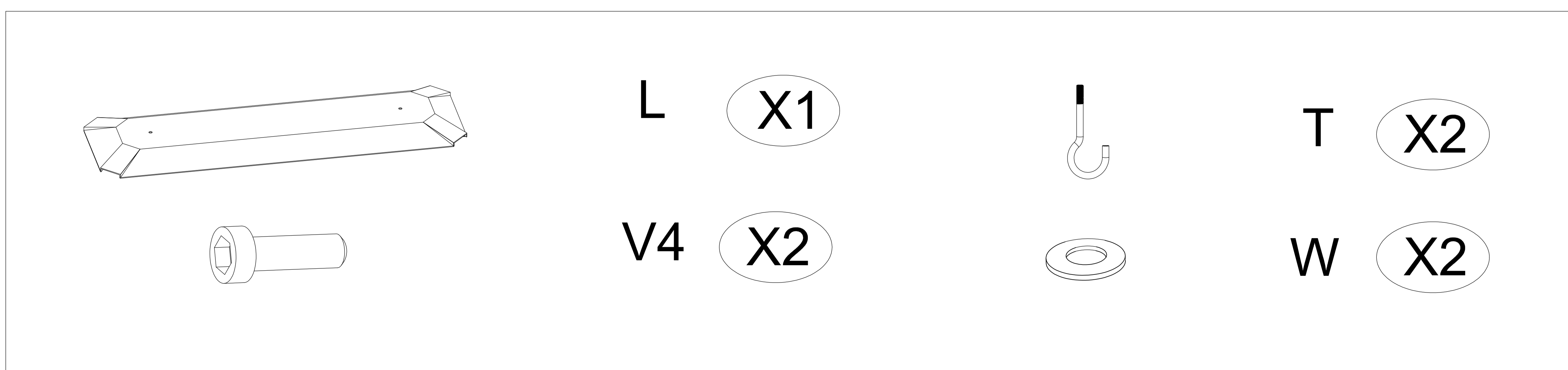
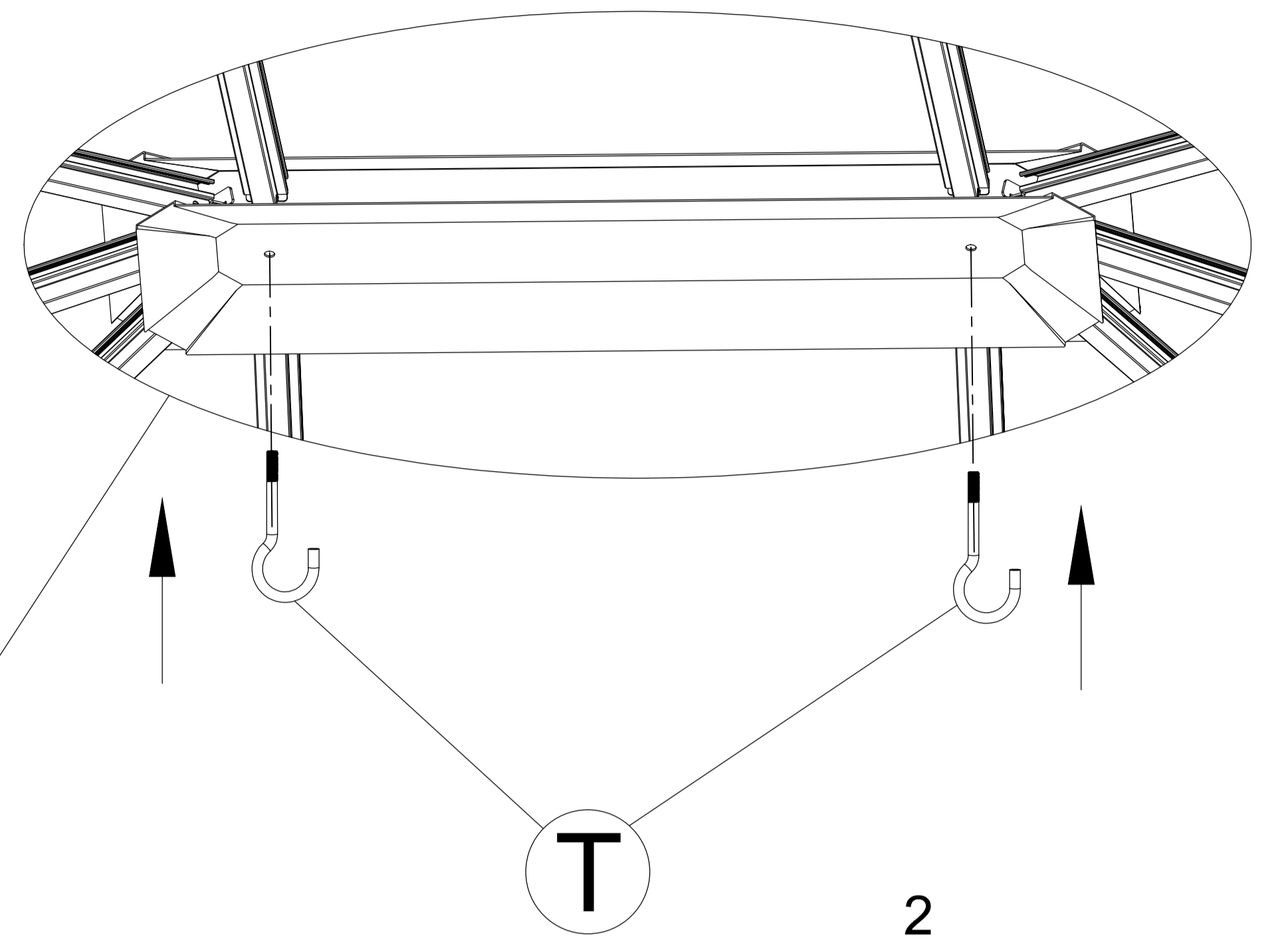
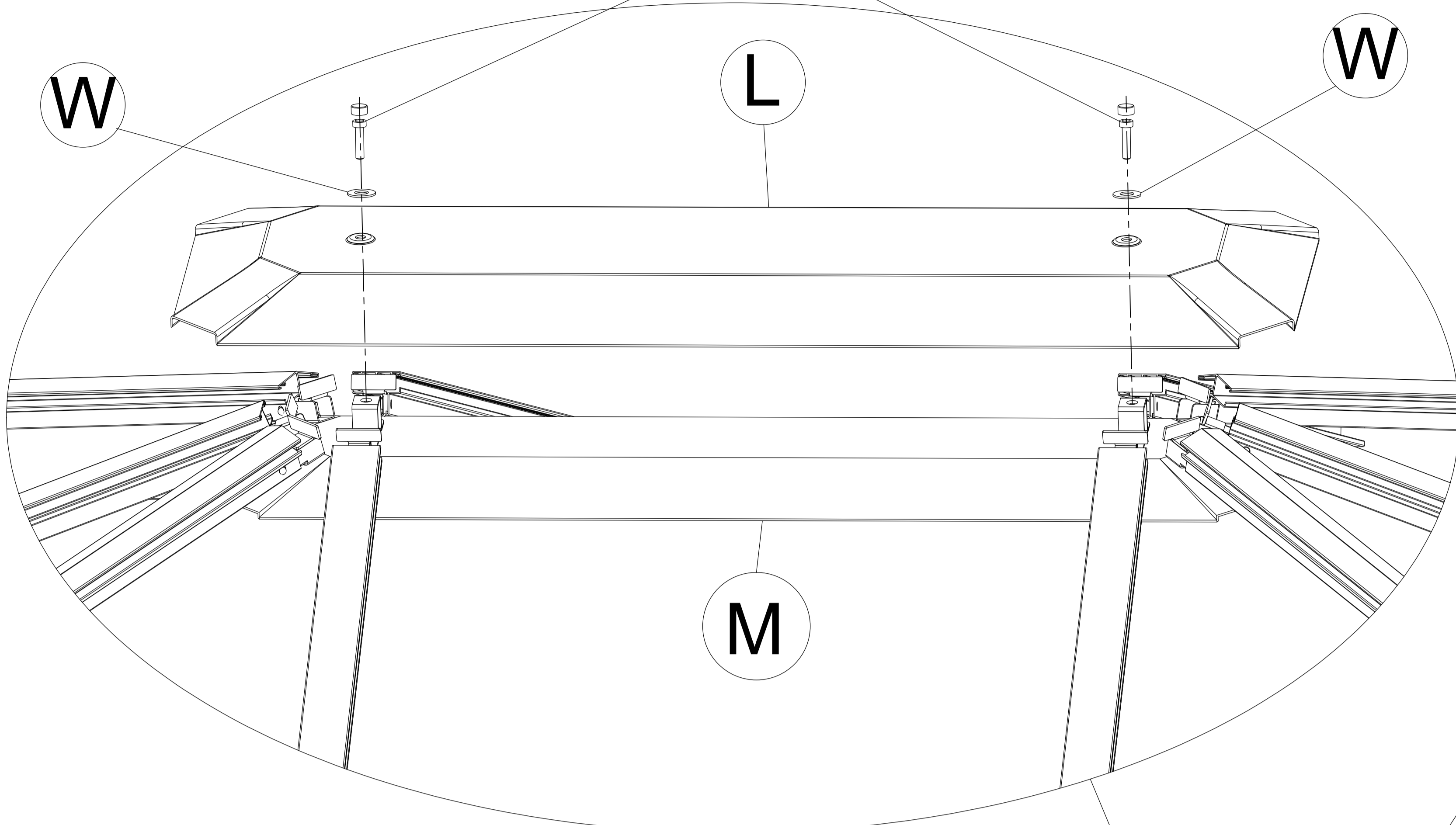
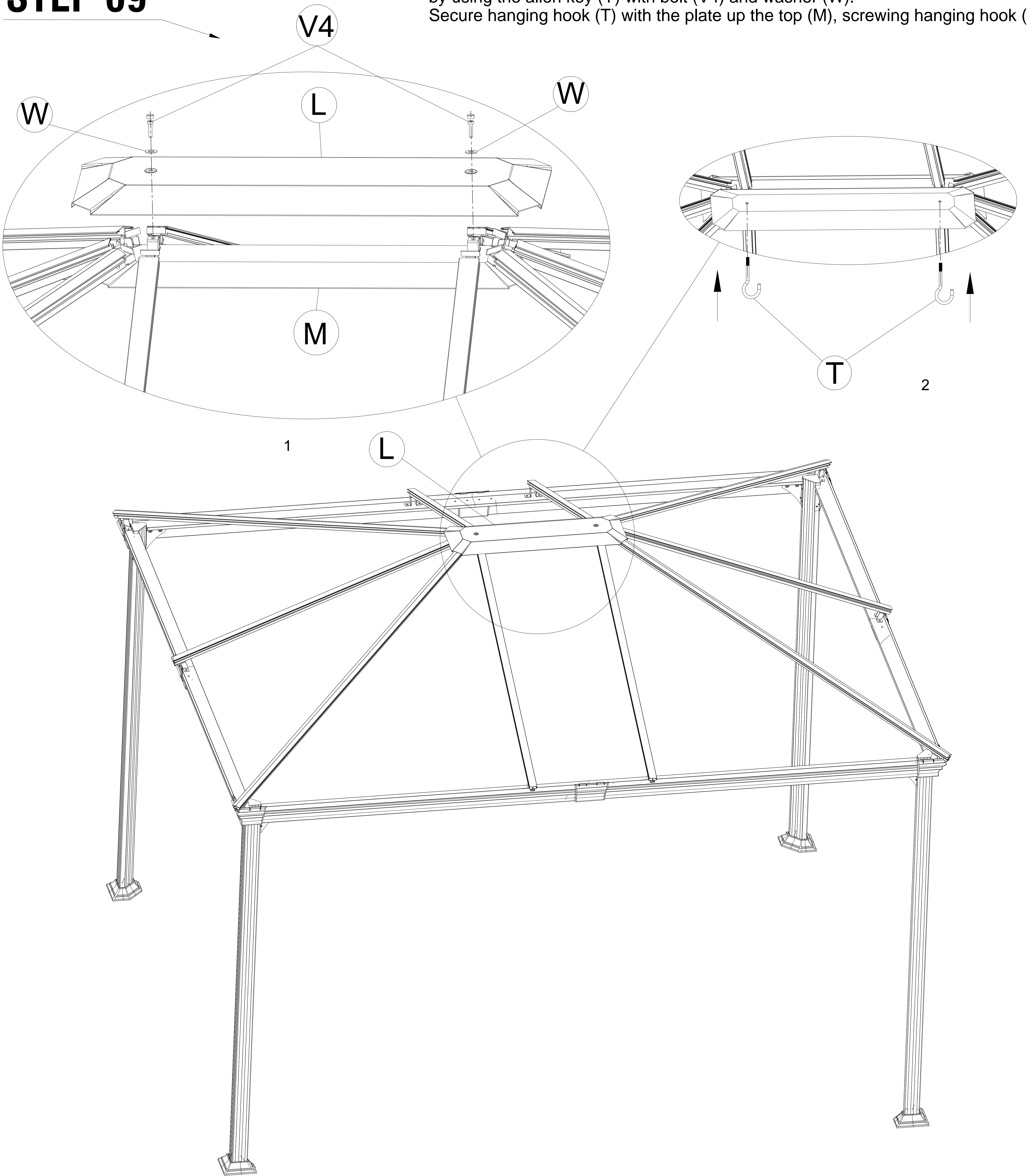
secure the Middle cape corner fittings (Q) with the ring beam (B),ring beam (B1).

By using allen key(Y) with the bolt (V).

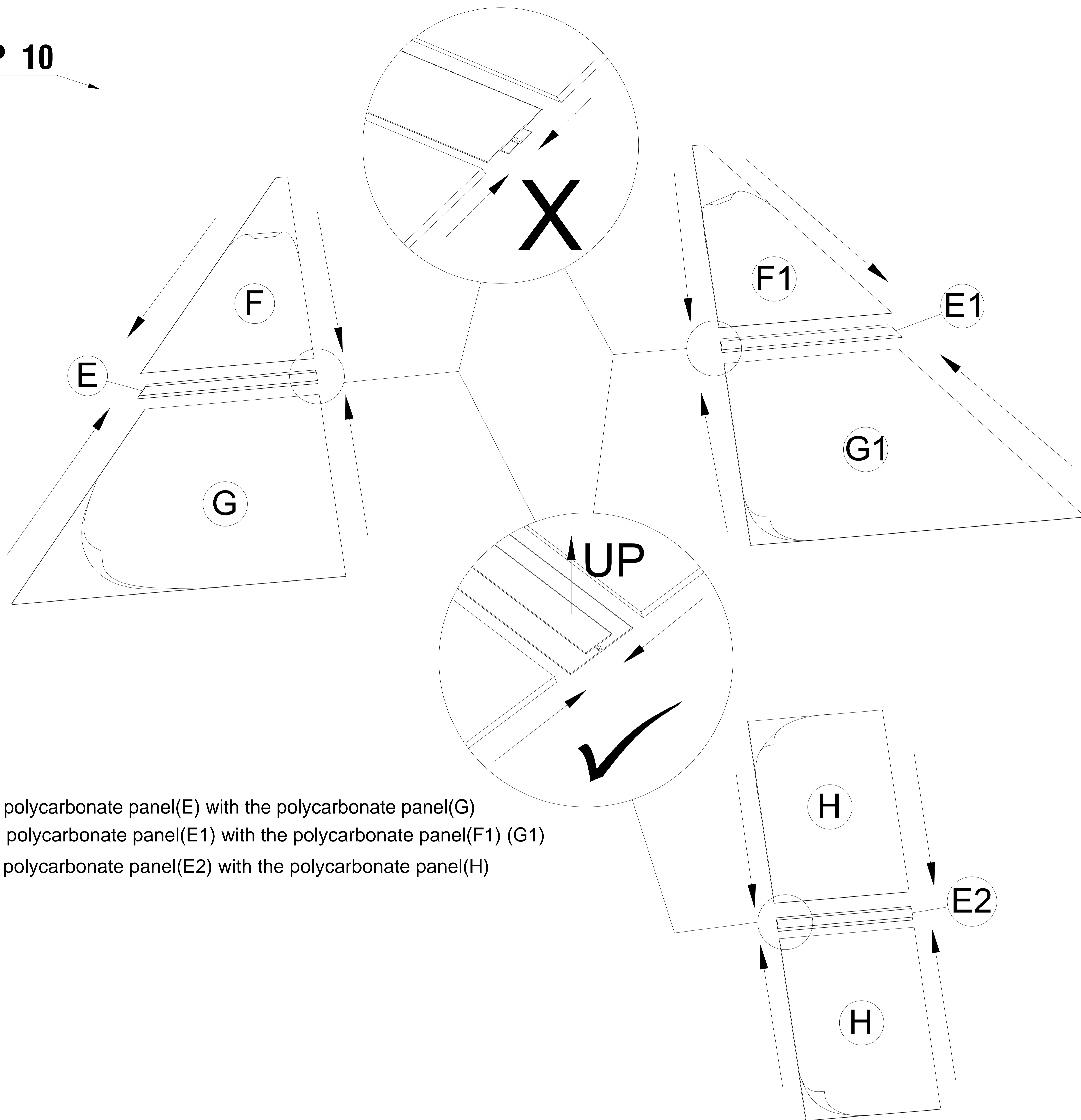


STEP 09

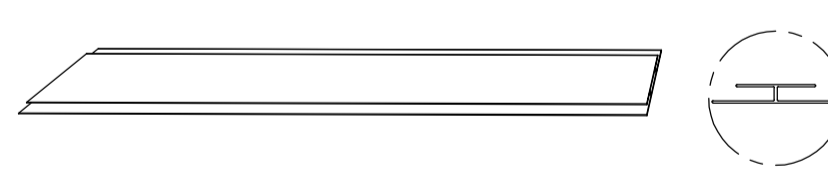
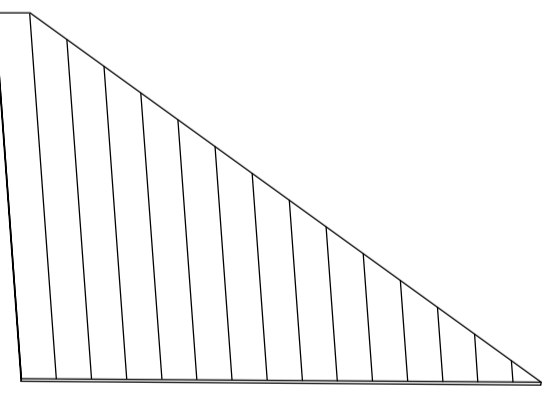
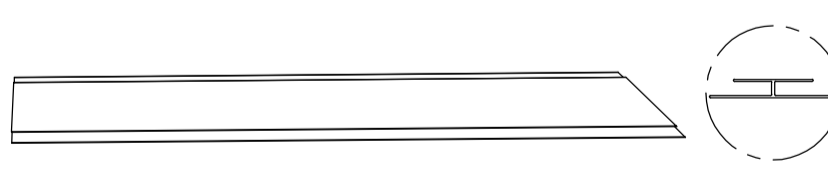
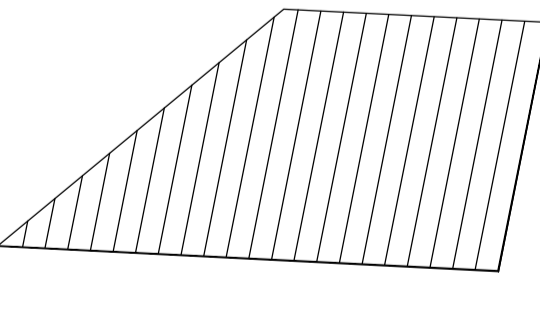
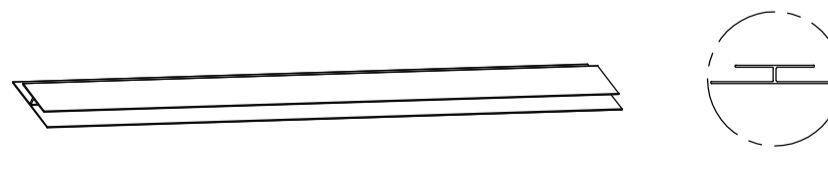
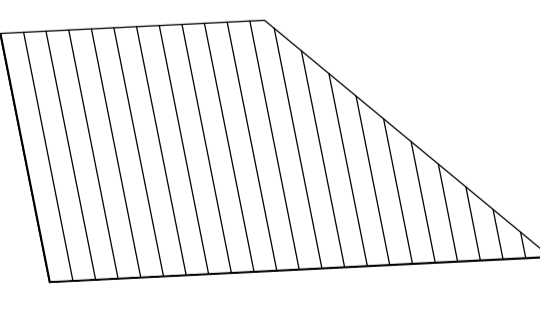
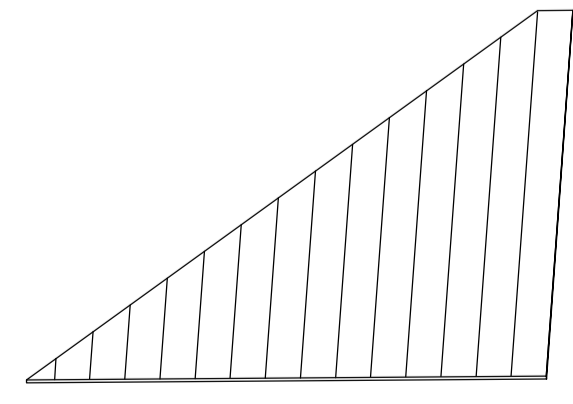
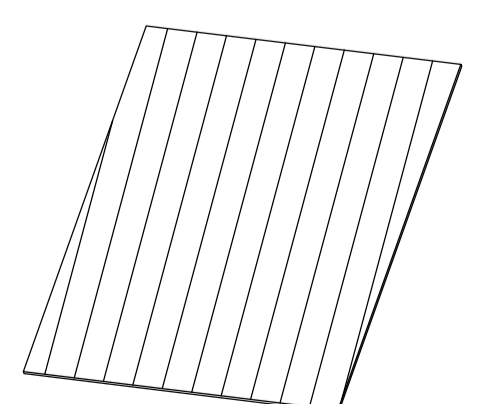
Secure the plate on the top(L)
with the plate up the top (M),
by using the allen key (Y) with bolt (V4) and washer (W).
Secure hanging hook (T) with the plate up the top (M), screwing hanging hook (T).



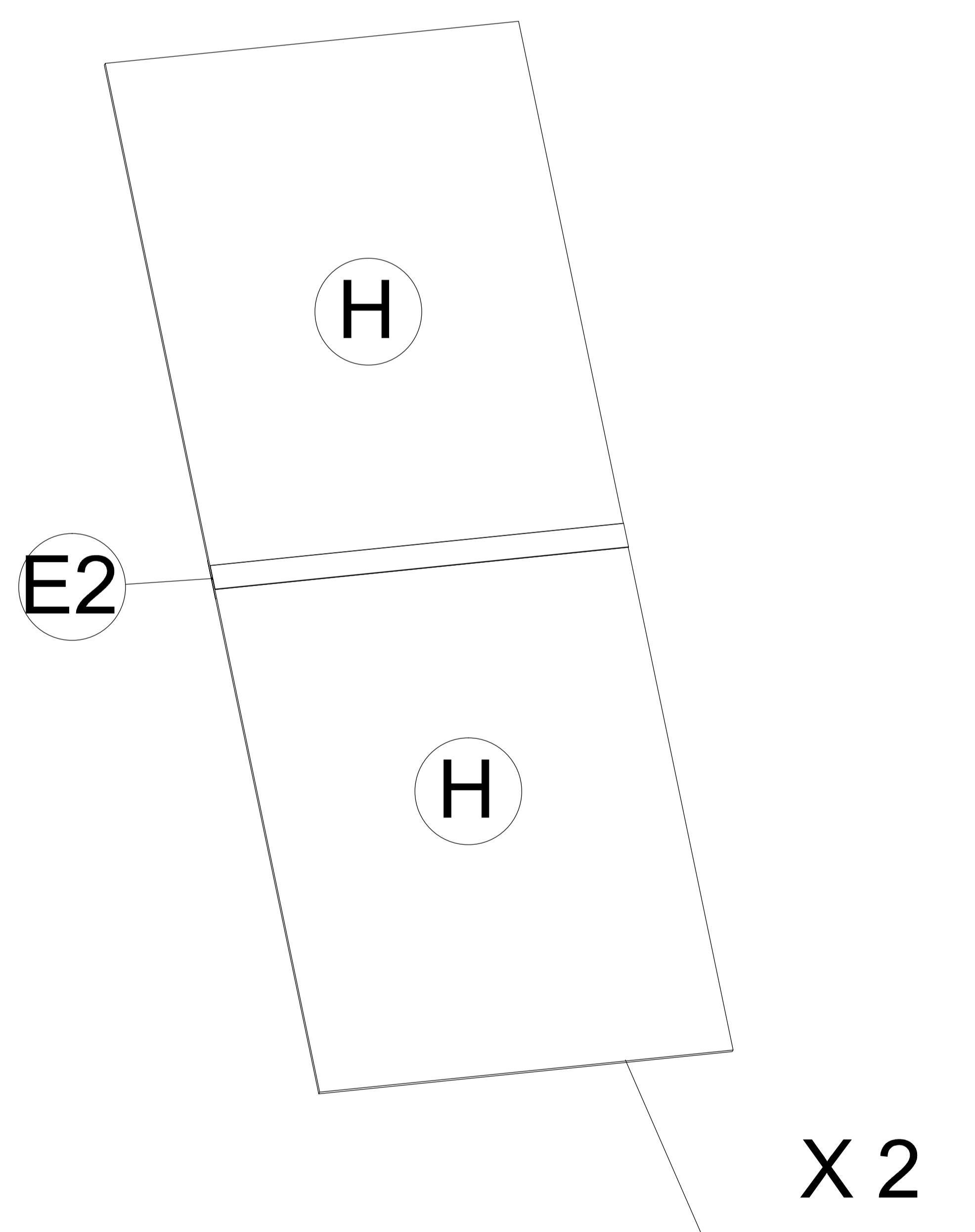
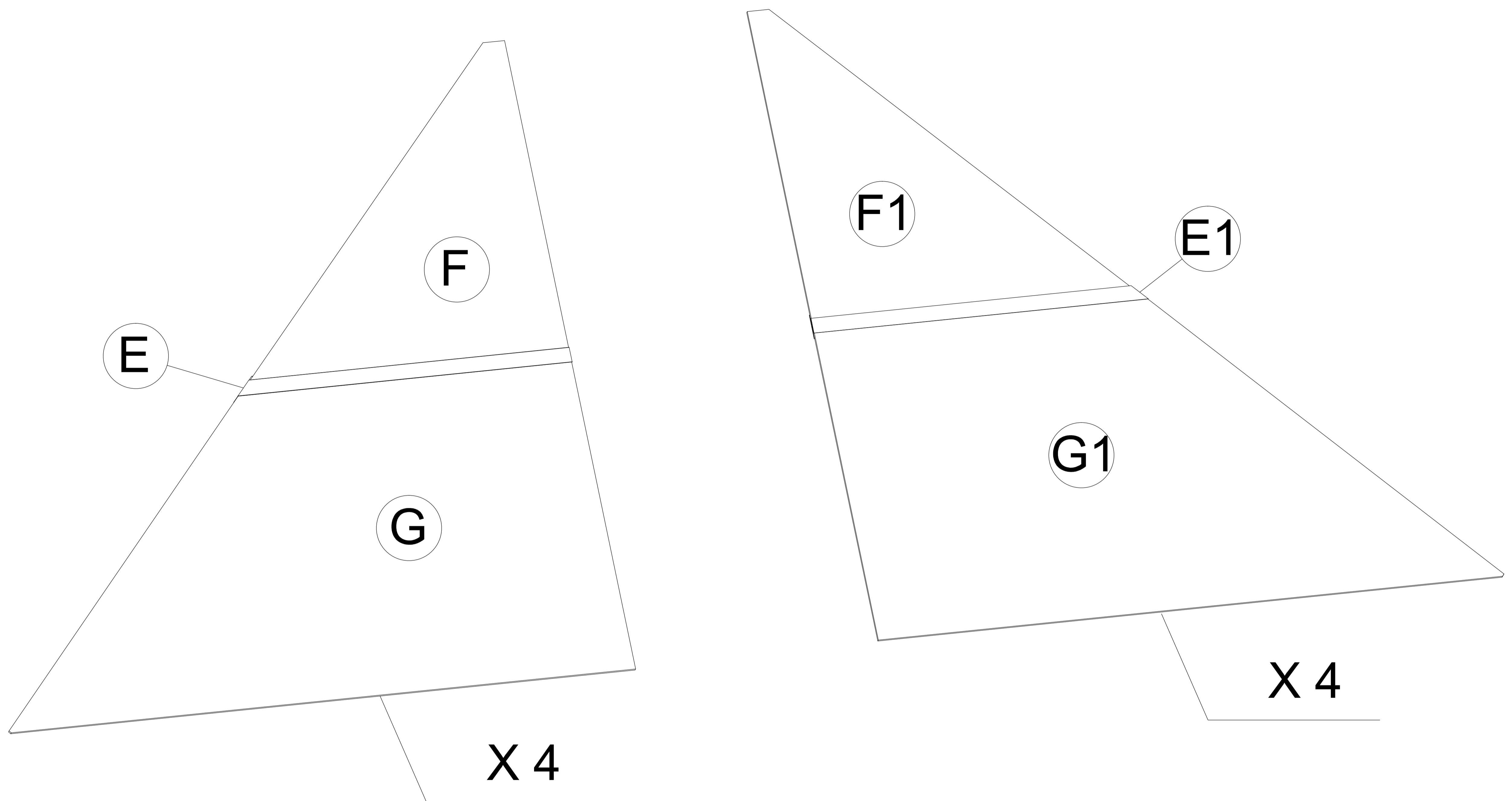
STEP 10



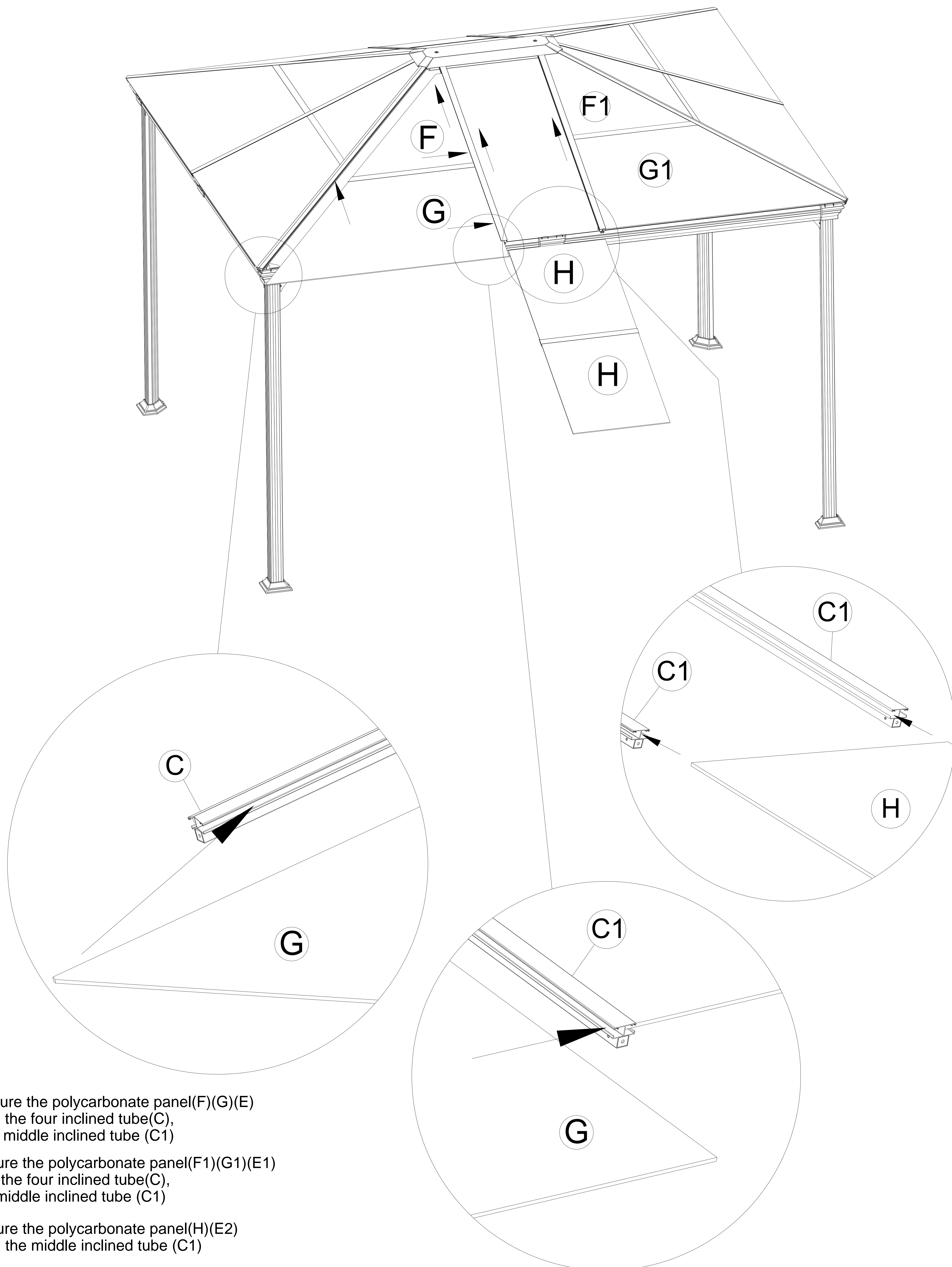
Secure the polycarbonate panel(E) with the polycarbonate panel(G)
 Secure the polycarbonate panel(E1) with the polycarbonate panel(F1) (G1)
 Secure the polycarbonate panel(E2) with the polycarbonate panel(H)

	E	X4		F1	X4
	E1	X4		G	X4
	E2	X2		G1	X4
	F	X4		H	X4

STEP 11



STEP 12



Secure the polycarbonate panel(F)(G)(E)
with the four inclined tube(C),
the middle inclined tube (C1)

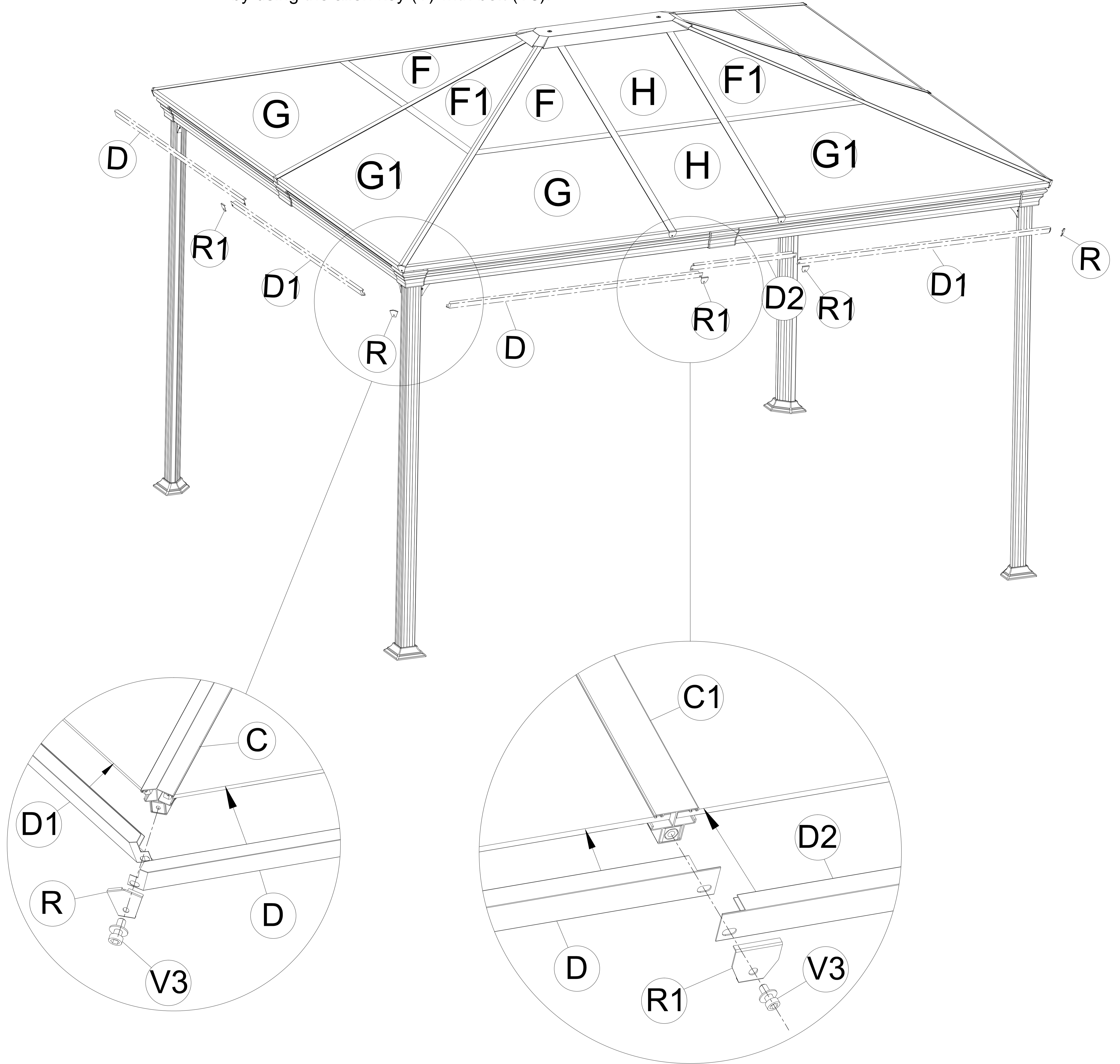
Secure the polycarbonate panel(F1)(G1)(E1)
with the four inclined tube(C),
the middle inclined tube (C1)

Secure the polycarbonate panel(H)(E2)
with the middle inclined tube (C1)

STEP 13

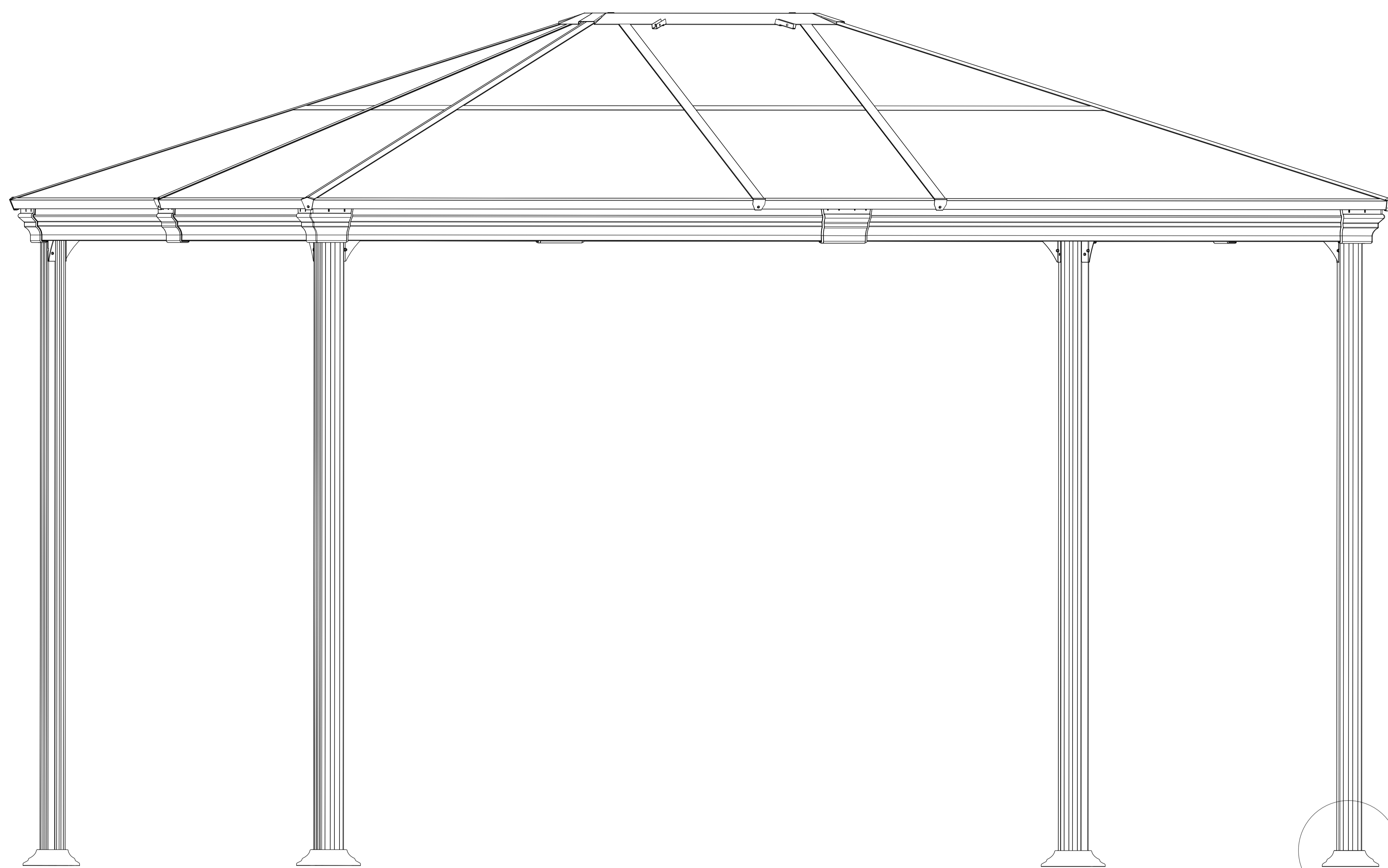
Secure Inclined top outside iron (R) ,
Surrounding edge tube(D) ,Surrounding edge tube(D1)
with the four inclined tube(C),
by using the allen key (Y) with bolt (V3).

Secure outside the top iron(R1),
Surrounding edge tube(D) ,Surrounding edge tube(D1),
Surrounding edge tube(D2) with the middle inclined tube (C1),
by using the allen key (Y) with bolt (V3).



	(F)	D	(X4)		R	(X4)
	(F)	D1	(X4)		R1	(X6)
	(F)	D2	(X2)		V3	(X10)

STEP 14



Secure the Stake(Z) with the leg base (N), then assembly of your gazebo is completed.

