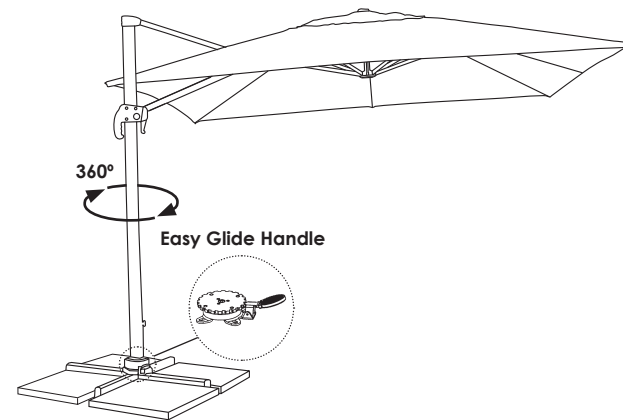




MIMOSA CANTILEVER UMBRELLAS

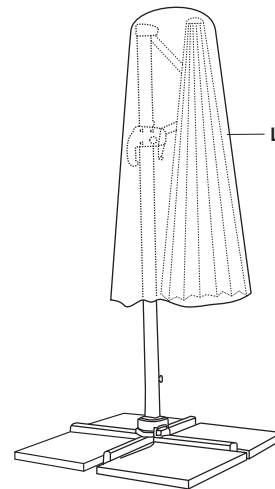
STEP BY STEP INSTRUCTIONS

Step 9: The umbrella can be rotated 360 degrees by stepping on the foot level on the base and turning the frame.



Step 10: When not required, use the crank to wind the canopy down. Press the trigger in the easy glide handle and move the handle to the bottom position.

Use the stay pole (K) inside the cover (L) to put the cover onto the umbrella.



MIMOSA CANTILEVER UMBRELLAS

WARRANTY CONDITIONS

Any claim under this warranty must be made within 12 months of the date of purchase of the product. To make a claim under the warranty, take the product (with proof of purchase) to any Bunnings store (see www.bunnings.com.au for store locations) or contact Gale Pacific.

Gale Pacific bears reasonable, direct, expenses of claiming under the warranty.

You may submit details and proof to Gale Pacific for consideration. The warranty covers manufacturer defects in materials, workmanship and finish under normal use.

This warranty is provided in addition to other rights and remedies you may have under law: our goods come with guarantees which cannot be excluded under the Australian Consumer Law or Consumer Guarantees Act 1993 (NZ). You are entitled to replacement or refund for a major failure and to compensation for other reasonably foreseeable loss or damage. You are also entitled to have the goods repaired or replaced if the goods fail to be of acceptable quality and the failure does not amount to a major failure.

The warranty excludes damage resulting from product misuse or product neglect.

The warranty covers domestic use only and does not apply to commercial applications.

This warranty is given by Gale Pacific, ABN 80 082 263 778, 145 Woolands Dr Braeside Vic 3195, 1800 331 521, galepacific.com

Suite A, 45 C MT Wellington Hwy, Mt Wellington, Auckland 1060, 0800 555 171.

WARRANTY EXCLUSIONS

Fading due to weather exposure or damage to the frame and fabric through accident, misuse or negligence. Your umbrella is a non-permanent structure. Always ensure the umbrella is properly weighted down. Damage caused by not following the instructions will void your warranty.



MIMOSA CANTILEVER UMBRELLAS

Make the most of your outdoor living area with your very own Mimosa cantilever umbrella. Relax and enjoy the outdoors while being protected from the sun.

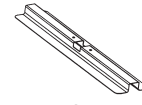
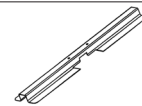
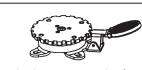
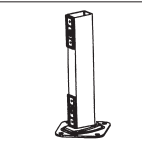


The Mimosa powder coated aluminium frame cantilever umbrella is perfect for shading your garden, deck, courtyard or swimming pool.

IMPORTANT

This structure is a non-permanent structure and the warranty does not cover damage incurred under extreme weather conditions including heavy rain, high winds or if exposed to high heat from heaters or BBQs.

PARTS LIST

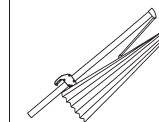
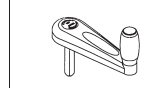


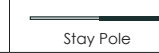

Please check all parts against the parts list before commencing construction of the umbrella.

CODE	PART	QTY
A	 Upper Cross Leg	1
B	 Lower Cross Leg	1
C	 360 Degree Swivel	1
D	 Umbrella Base	1
E	 Plastic Cone	1
F	 Screw Washer	8

Safety precautions should always be followed when assembling and using this product to reduce the risk of personal injury and damage to equipment.

Please read all instructions before assembly and use. Never leave children unattended around/under this umbrella.

Do not attempt to assemble or use the umbrella in moderate or heavy wind conditions. Always close the umbrella and secure it during heavy winds or extreme weather conditions to avoid damage to the umbrella or personal injury.

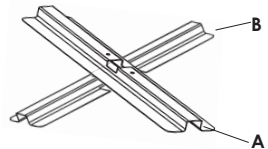
CODE	PART	QTY
G	 Umbrella Frame & Canopy	1
H	 Crank	1
I	 Plastic Cap Screw	1
J	 Allen Key	1
K	 Stay Pole	1
L	 Cover	1



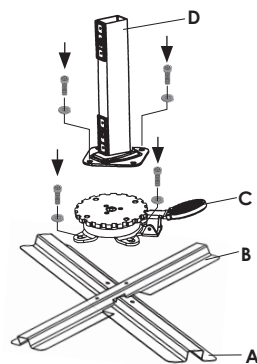
MIMOSA CANTILEVER UMBRELLAS

STEP BY STEP INSTRUCTIONS

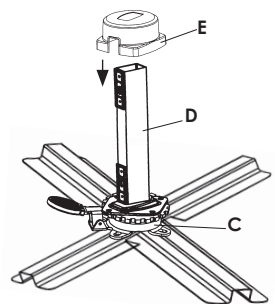
Step 1: Place the upper cross leg (A) over the lower cross leg (B) to form an X.



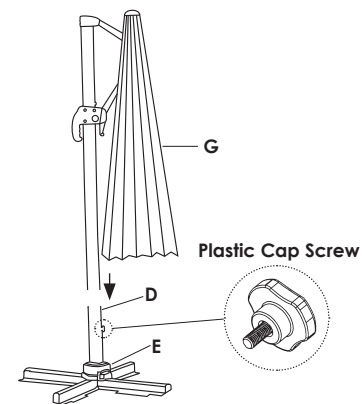
Step 2: Use screw and washer (F) to fix the 360 degree swivel system (C) onto the metal cross base from step 1. Then use screw and washer (F) to fix the umbrella base (D) to the 360 degree swivel system.



Step 3: Place the plastic cone (E) onto the base.



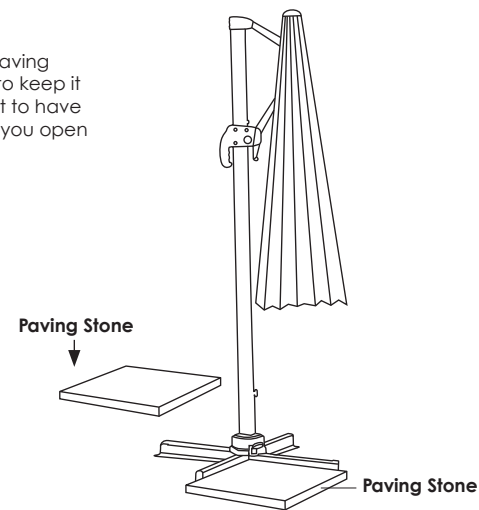
Step 4: Place the umbrella frame and canopy (G) onto the umbrella base pole and secure with the plastic cap screw (I).



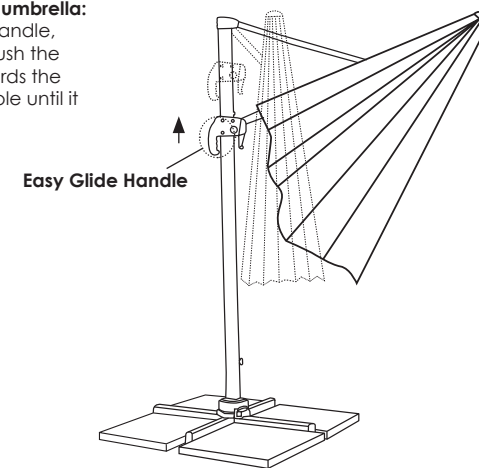
MIMOSA CANTILEVER UMBRELLAS

STEP BY STEP INSTRUCTIONS

Step 5: Place heavy paving stones onto the base to keep it in place. It is important to have these in place before you open the umbrella.



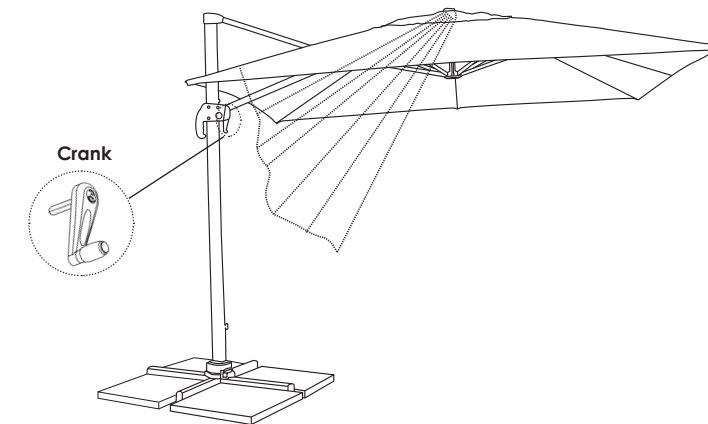
Step 6 - Operating the umbrella: Using the easy glide handle, grip the trigger and push the handle upwards towards the top of the umbrella pole until it locks into place.



MIMOSA CANTILEVER UMBRELLAS

STEP BY STEP INSTRUCTIONS

Step 7: Open the umbrella by rotating the crank.



Step 8: To adjust the angle of the umbrella, pull the trigger in the easy glide handle and slide the handle down the pole.

