

jumbuck®

MONTH
12
WARRANTY

Comet Plus 6 Burner BBQ

Stainless steel hood with glass window

- 960(W) x 420(D) Cooking surface
- Vitreous Enamel Firebox & Beer bottle opener
- 430 Grade Stainless steel hood, fascia, side shelves & doors
- Wok side burner
- Glass window built into hood
- Cast iron hotplate and cooking grill
- Gas bottle storage
- Hose & Regulator included
- AGA Certified - For use with LPG only
- BBQ Can Be Converted for Use with Natural Gas
- Dimensions - 1698(L) x 535(W) x 1153(H) mm



Burner



Grill & Hotplate



Rotary Piezo Ignition



Burner Material



Cooking Surface



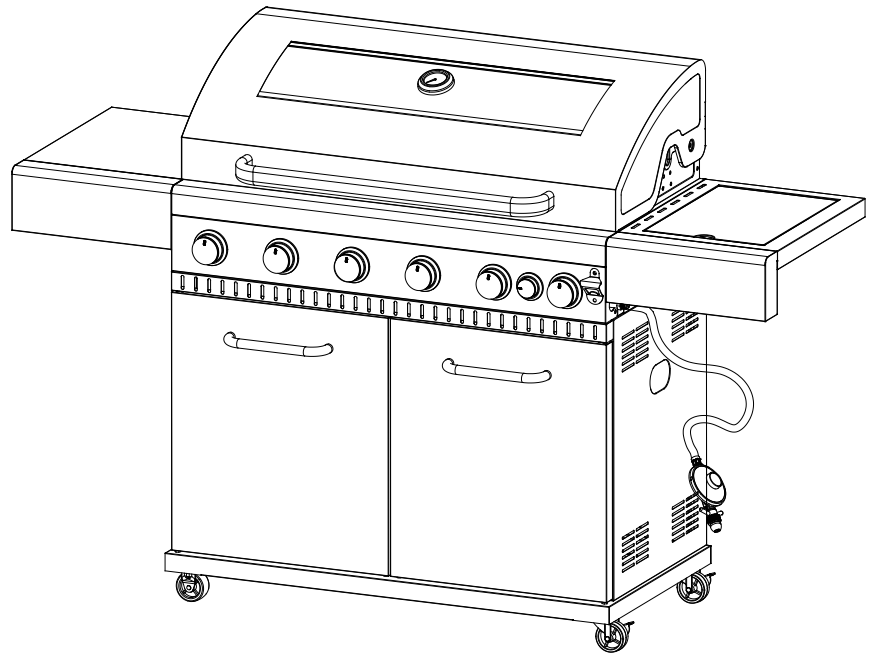
jumbuck.

BBQ ASSEMBLY & OPERATION INSTRUCTIONS

6 BURNER WITH SIDE BURNER – MODEL HS-18JCG601-GS



WARNING



Important! Please read these instructions carefully before use!

FOR OUTDOOR USE ONLY



DO NOT OPERATE THIS APPLIANCE BEFORE READING THE INSTRUCTION BOOKLET
DO NOT PLACE ARTICLES ON OR AGAINST THIS APPLIANCE
DO NOT STORE CHEMICALS OR FLAMMABLE MATERIALS OR SPRAY AEROSOLS NEAR THIS APPLIANCE
DO NOT OPERATE THIS APPLIANCE INDOORS
DO NOT ENCLOSE THIS APPLIANCE
DO NOT LIGHT OR OPERATE WITH COVER ON

GAS LEAK TEST

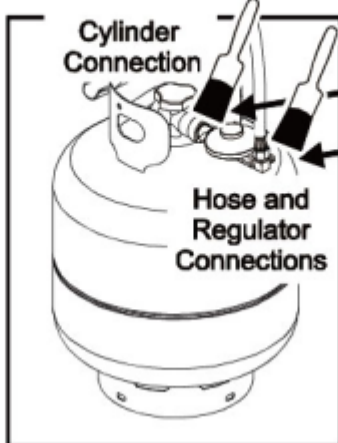
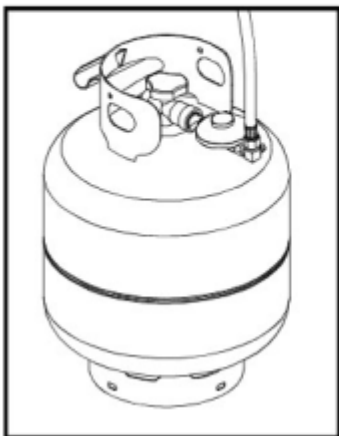
Gas connections on the Barbecue are leak tested at the factory prior to shipment however, a complete gas leak test must be performed during assembly. The cylinder to regulator connection must be leak tested every time the connection is made.

1. Make a soap solution of one part liquid detergent and one part water.



Make sure the control knob on the barbecue is off and the gas valve on the cylinder is off before mixing the soapy solution.

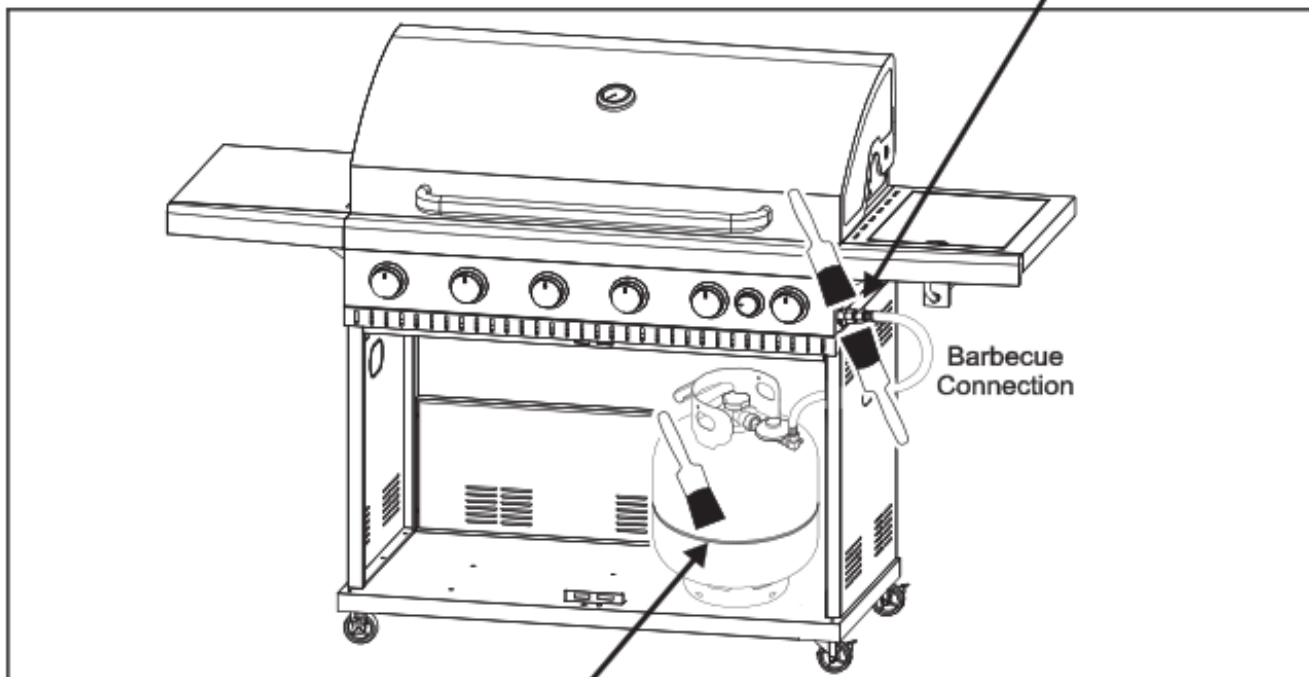
2. Open gas cylinder valve.
3. Apply the soap solution to the gas connections using a soft bristle brush.



Soap bubbles will appear if there is a gas leak. In case of a leak, turn off the gas supply. Tighten any leaking fittings, then turn the gas supply on and re-check.

Warning:

Do not operate the appliance until all gas leaks have been rectified. Never leak test while smoking.



If there is a leak anywhere on the gas cylinder, do not use the cylinder. Locate the leaking cylinder outdoors away from sources of ignition, then contact your local gas authority or cylinder exchange provider to arrange disposal.

SAFETY INSTRUCTIONS

IMPORTANT: Read the assembly instructions of this booklet before removing the contents of the carton.

IMPORTANT SAFETY INSTRUCTIONS

1. **This BBQ is an OUTDOOR APPLIANCE ONLY. It should NOT be used indoors.**
2. READ ALL OPERATING INSTRUCTION BEFORE LIGHTING.
3. Do not perform any servicing on the BBQ yourself. This includes internal adjustment of the regulator and gas valves. Servicing can only be carried out by authorised technicians.
4. When cylinder is replaced or reconnected, check for leaks.
5. Do not store chemicals or flammable materials near this appliance.
6. Unsupervised children should not be near a BBQ while cooking or during warm up or cool down.
7. People with flammable clothing such as nylon etc. should keep well away from the BBQ when it is operating.
8. Do not leave food unattended on the BBQ.
9. In case of a fat fire, immediately turn the LPG cylinder valve off.
10. Particular care must be taken when removing drip tray. Hot fat can cause serious injury.
11. This BBQ should not be located under overhead combustible construction and proper clearances must be maintained at all times from combustible construction and/or materials, with **MINIMUM** clearances as follows:
 - From Sides 200 mm
 - From Back 500 mm
 - Overhead 1000 mm

Note: This BBQ must be located in a non-combustible bench structure as explained in the installation section of this manual.
12. Turn all gas valves off including cylinder after use.
13. Never leave burners on high for more than 10 minutes unless actually cooking. If the burner makes a hissing sound when lit, it may be burning inside. Turn burner off, allow it to cool and light it again.
14. Do not allow buildup of unburned gas.
15. Remove stickers (where fitted) from hood before use.

FOR YOUR SAFETY

If you smell gas:

- 1. Shut off gas to the appliance at the cylinder.**
- 2. Open hood.**
- 3. Extinguish any flames.**
- 4. If odour continues, immediately call your gas supplier.**

FOR YOUR SAFETY

- 1. Do not store or use gasoline or other flammable vapors or liquids in the vicinity of this or any other appliance.**
- 2. An LPG cylinder not connected for use shall not be stored in the vicinity of this or any other appliance.**

- **For Outdoor Use Only.**
- **Improper installation, adjustment, alteration, service or maintenance can cause property damage, injury or death. Read the installation, operating and maintenance instructions thoroughly before installing or servicing this equipment.**
- **Warning: accessible parts may be very hot. Keep young children away.**
- **Do not move the appliance during use.**
- **Turn off the gas supply at the gas cylinder after use.**
- **Any modification of the appliance may be dangerous.**
- **Installer to leave instructions with the consumer and consumer to retain them for future reference.**
- **Do not replace the grill with an extra hotplate. The warranty will be void and it violates the gas approval, the grill provides the ventilation needed for the BBQ to operate safely. It is not designed to be a solid hotplate device.**
- **Please ensure all packaging and transit protection materials are removed prior to using the BBQ.**

IMPORTANT

This appliance shall only be used in an above ground open-air situation with natural ventilation, without stagnant areas, where gas leakage and products of combustion are rapidly dispersed by wind and natural convection.

WARNING

A strong gas smell or the hissing sound of gas indicates a serious problem with your BBQ or the LPG gas cylinder. Failure to immediately follow the steps listed below could cause serious bodily injury, death, or property damage.

- Shut off gas supply to the BBQ.
- Turn the control knobs to OFF position.
- Put out any flame with a class B fire extinguisher and clear the area of people.
- Open BBQ Lid.
- Move away from the LPG gas cylinder.
- Do not try to fix the problem yourself.

If odour continues or you have a fire you cannot extinguish, call your fire department immediately.

NOTE: The normal flow of gas through the Regulator and Hose Assembly can create a humming sound. A low volume of sound is perfectly normal and will not interfere with operation of the BBQ. If humming sound is loud and excessive you may need to purge air from the gas line.

Strong winds and low temperatures can affect the heating and performance of your BBQ so factor in these elements when positioning your BBQ outdoors for cooking.

Never use your BBQ in a garage, porch, shed, breezeway or any other enclosed area. Your BBQ is to be used outdoors only, at least 200mm from the sides and 500mm from the back of any combustible surface. Your BBQ should not be placed under any surface that will burn. Do not obstruct the flow of ventilation air around the BBQ. This BBQ is not intended to be installed in or on recreational vehicles and/or boats.

SPECIFICATION

REGULATOR & HOSE ASSEMBLY (Supplied with BBQ) : 2.75kPa, POL type regulator and 8mm ID, Class A hose with 3/8SAE Female outlet. AGA approved.

Burner Configuration Table - Universal LPG

BURNERS	NOMINAL GAS CONSUMPTION	TEST POINT PRESSURE	INJECTOR SIZE
BBQ	11MJ/h (per burner)	ULPG @ 2.75kPa	0.90mm
Side	10.5MJ/h	ULPG @ 2.75kPa	0.90mm

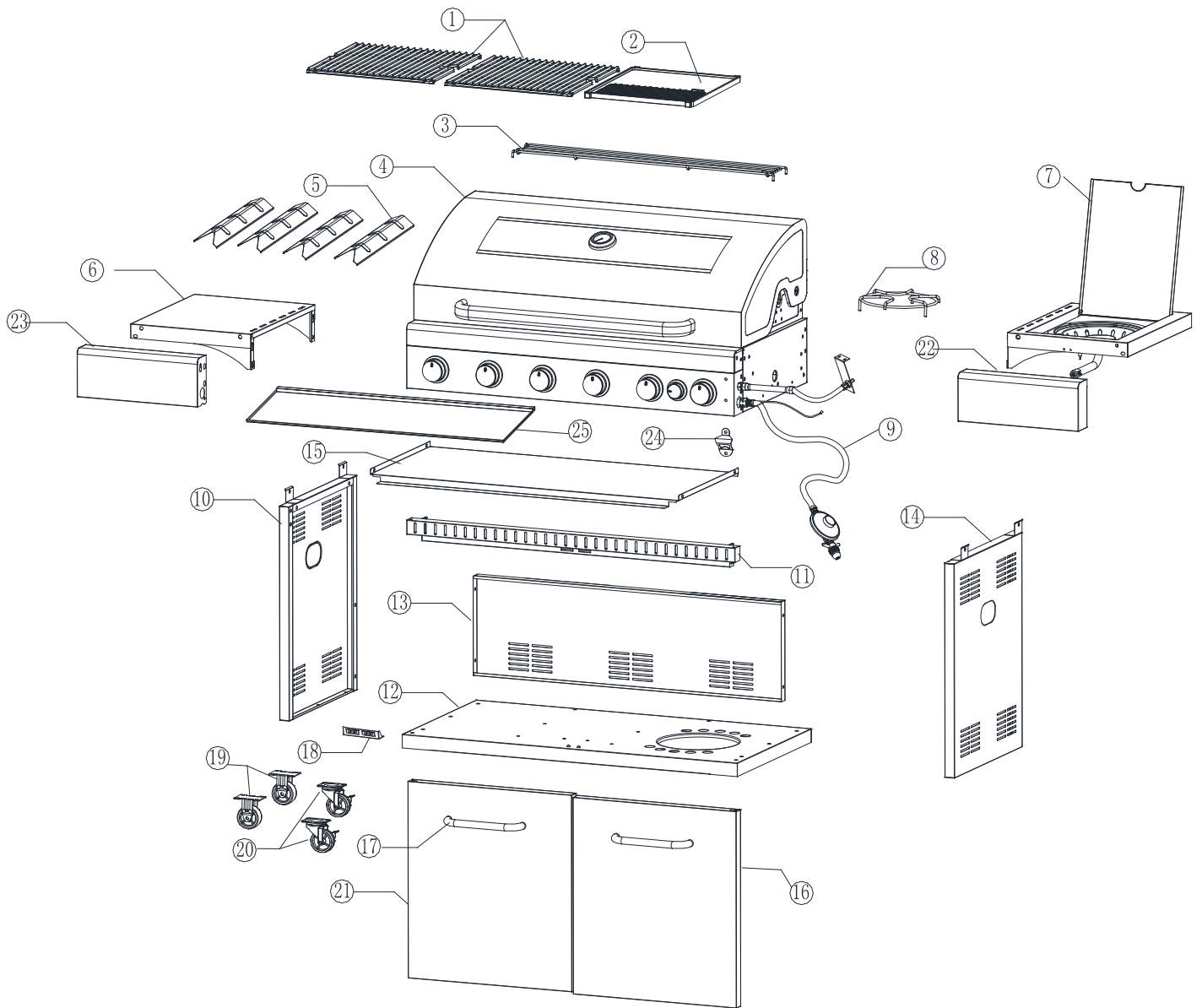
Burner Configuration Table - Propane

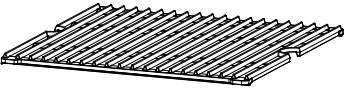
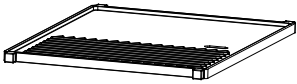

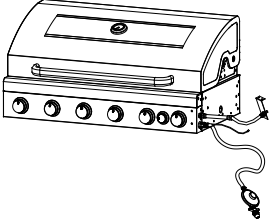
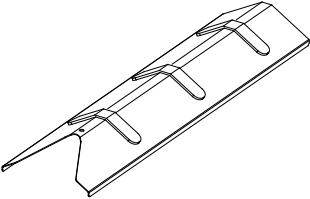
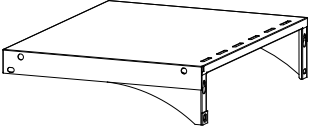
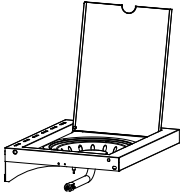
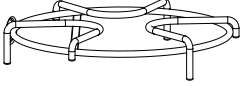
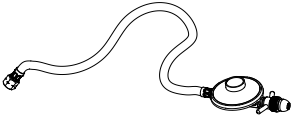

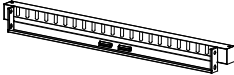
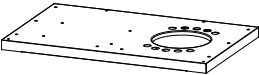
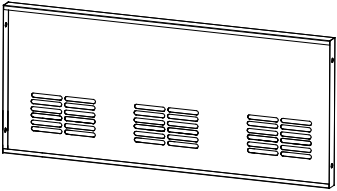



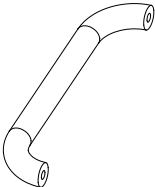
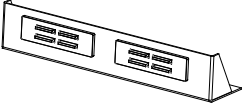
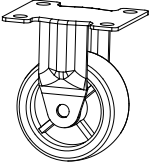
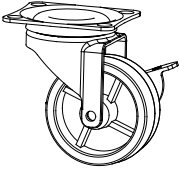
BURNERS	NOMINAL GAS CONSUMPTION	TEST POINT PRESSURE	INJECTOR SIZE
BBQ	13MJ/h (per burner)	Propane @ 2.75kPa	0.98mm
Side	10.5MJ/h	Propane @ 2.75kPa	0.90mm

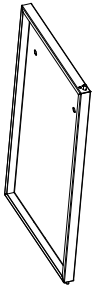
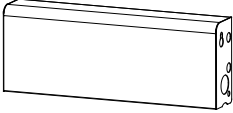
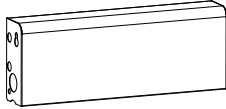
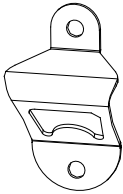
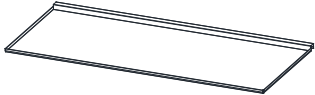
Burner Configuration Table – Natural Gas

BURNERS	NOMINAL GAS CONSUMPTION	TEST POINT PRESSURE	INJECTOR SIZE
BBQ	13MJ/h (per burner)	Natural gas @ 1.0kPa	1.62mm
Side	11.5MJ/h	Natural gas @ 1.0kPa	1.5mm






Part list



<p>1 Cooking grill</p> 	<p>2 Hotplate</p> 	<p>3 Warming rack</p> 	<p>4 Firebox</p> 
<p>5 Flame tamer</p> 	<p>6 Left side table</p> 	<p>7 Right side table</p> 	<p>8 Trivet of side burner</p> 
<p>9 Regulator and hose</p> 	<p>10 Left side panel of cabinet</p> 	<p>11 Crossbeam</p> 	<p>12 Bottom panel</p> 
<p>13 Back panel</p> 	<p>14 Right side panel of cabinet</p> 	<p>15 Separation panel of cabinet</p> 	<p>16 Right door</p> 
<p>17 Door handle</p> 	<p>18 Door magnet panel</p> 	<p>19 Castor without lock</p> 	<p>20 Castor with lock</p> 

<p>21 Left door</p> 	<p>22 Front panel of right side table</p> 	<p>23 Front panel of left side table</p> 	<p>24 Beer bottle panel</p> 
<p>25 Grease tray</p> 			

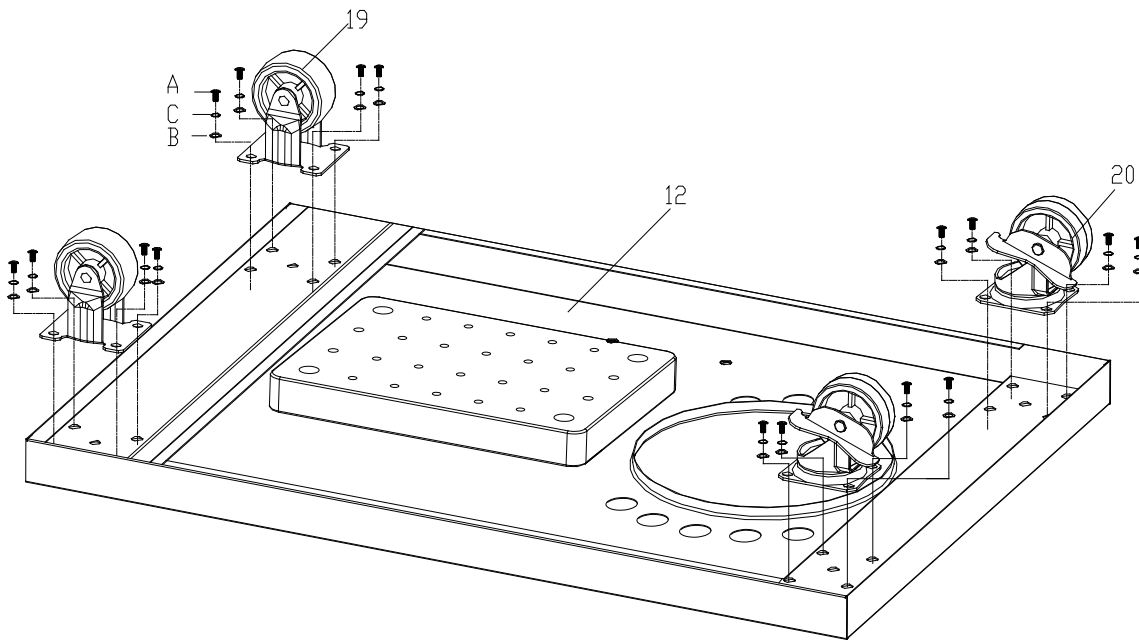
Hardware Pack

A	<p>Bolt:M6*12</p> 	56	B	<p>Washer:M6</p> 	16
C	<p>Spring washers:M6</p> 	16	D	<p>Bolt:M5*10</p> 	2
F	<p>Screwdriver</p> 	1			

Always wear gloves during assembly of this BBQ.

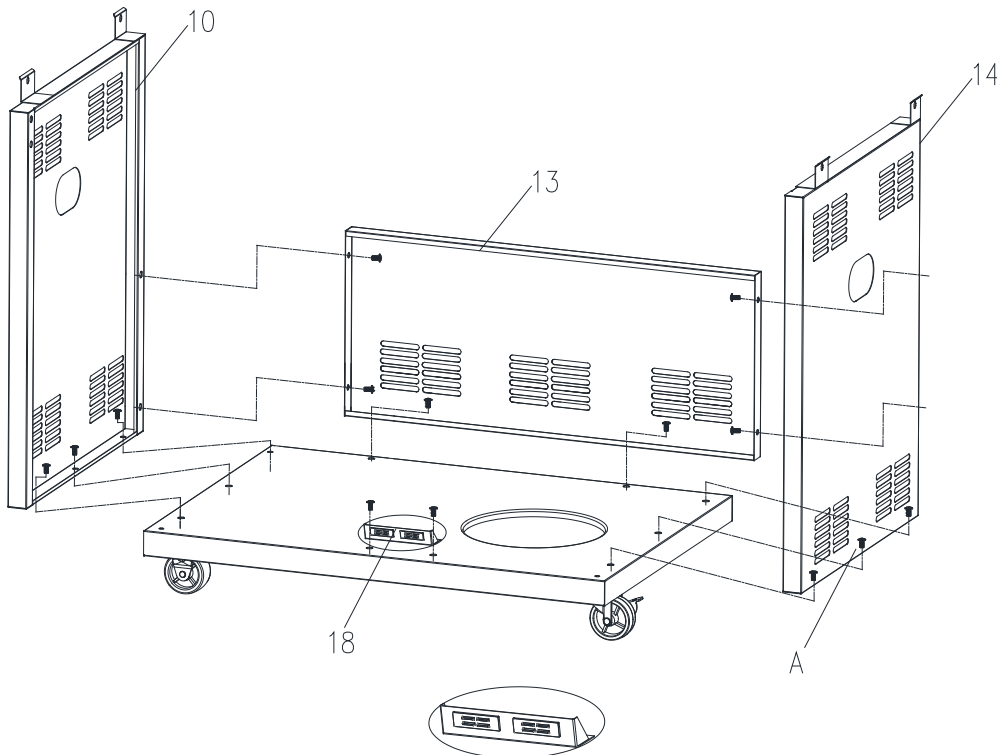
STEP 1

Assemble the castor without lock (19) and castor with lock (20) on the bottom panel (12) by bolt (A), spring washer (C) and washer (B) each 16pcs as shown.



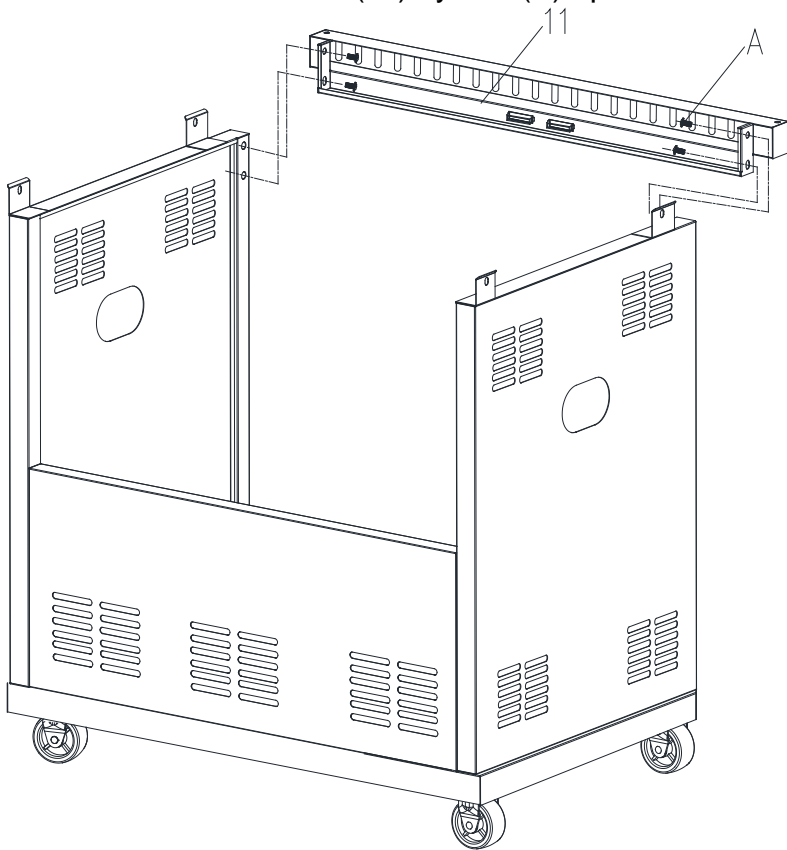
STEP 2

Assemble the left side panel of cabinet (10) and right side panel of cabinet (14) and back panel of cabinet (13) and door magnet panel (18) by bolt (A) 14pcs as shown.



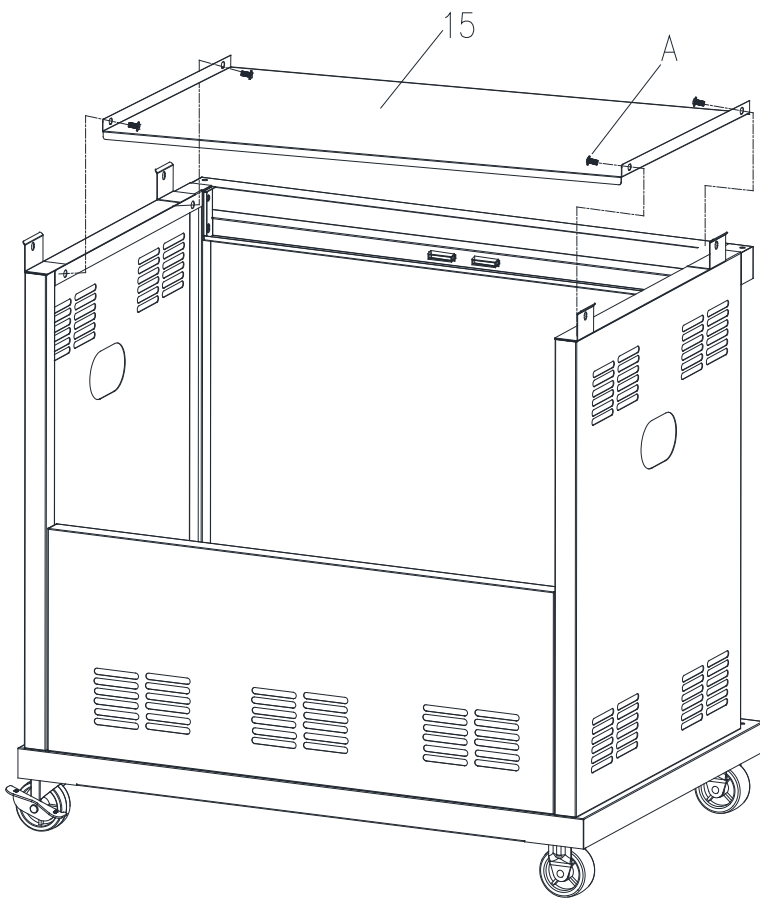
STEP 3

Assemble the crossbeam (11) by bolt (A) 4pcs as shown.



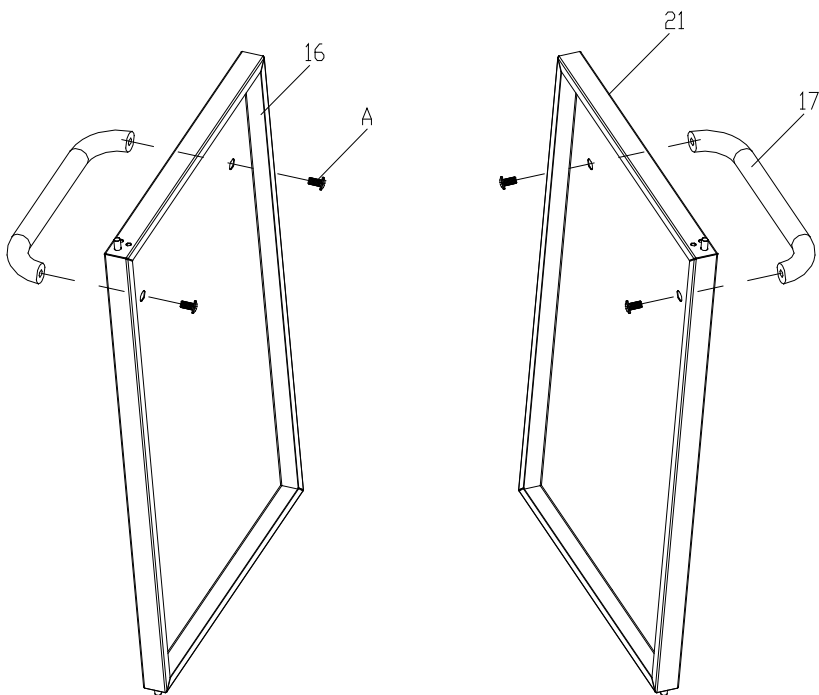
STEP 4

Assemble the separation panel of cabinet (15) by bolt (A) 4pcs as shown.



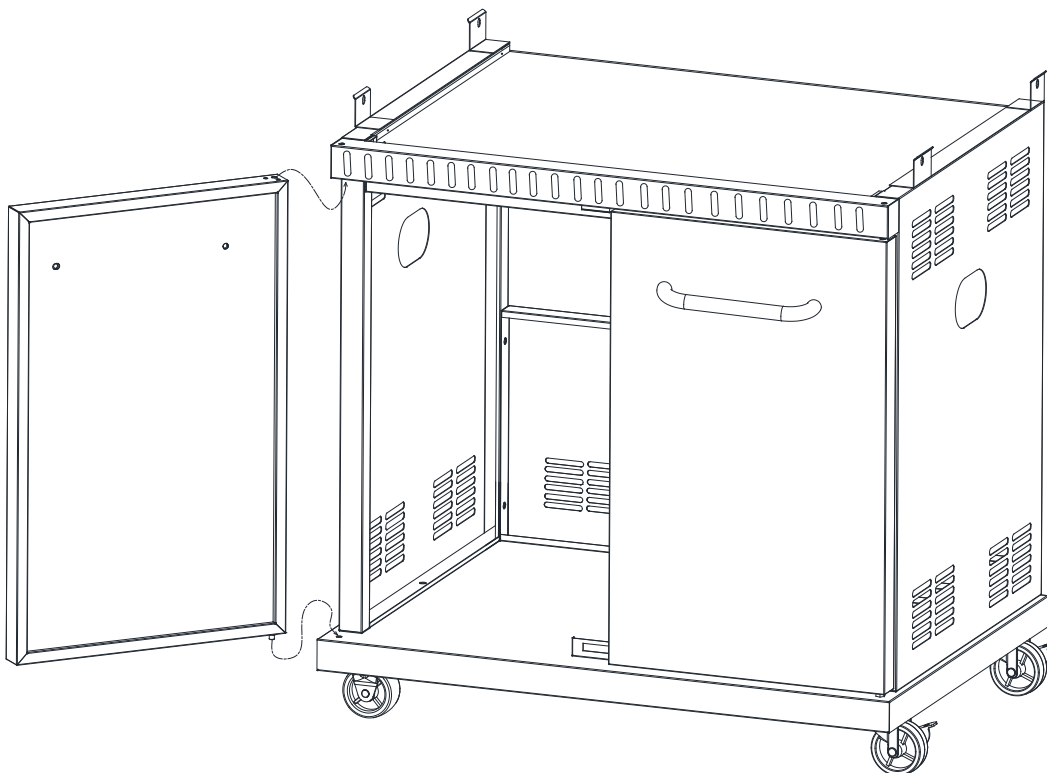
STEP 5

Assemble the door handle (17) on the left door (21) and right door (16) by bolt (A) 4pcs as shown.



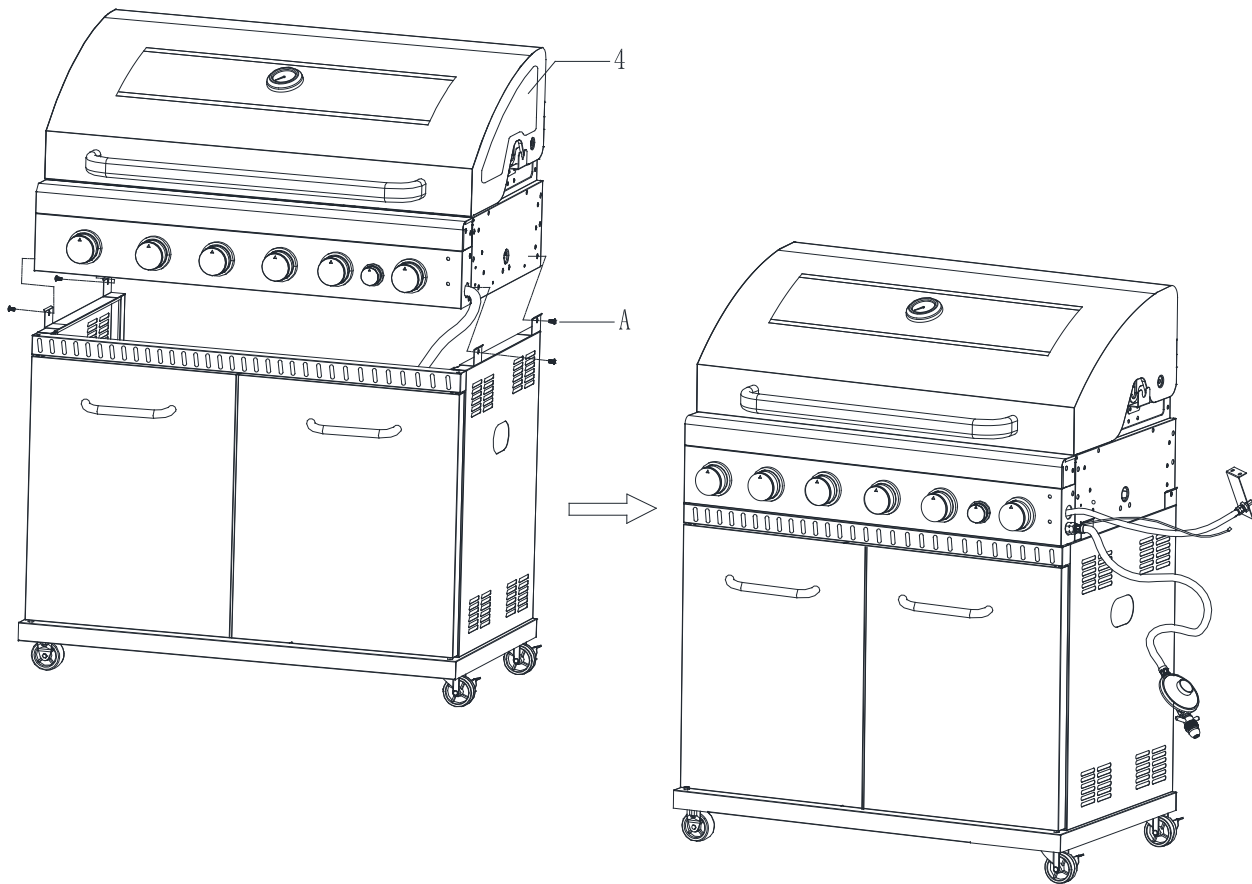
STEP 6

Assemble the door on the cabinet as shown below. First position the lower fixed locating PIN and then depress upper spring loaded PIN and move door into position.



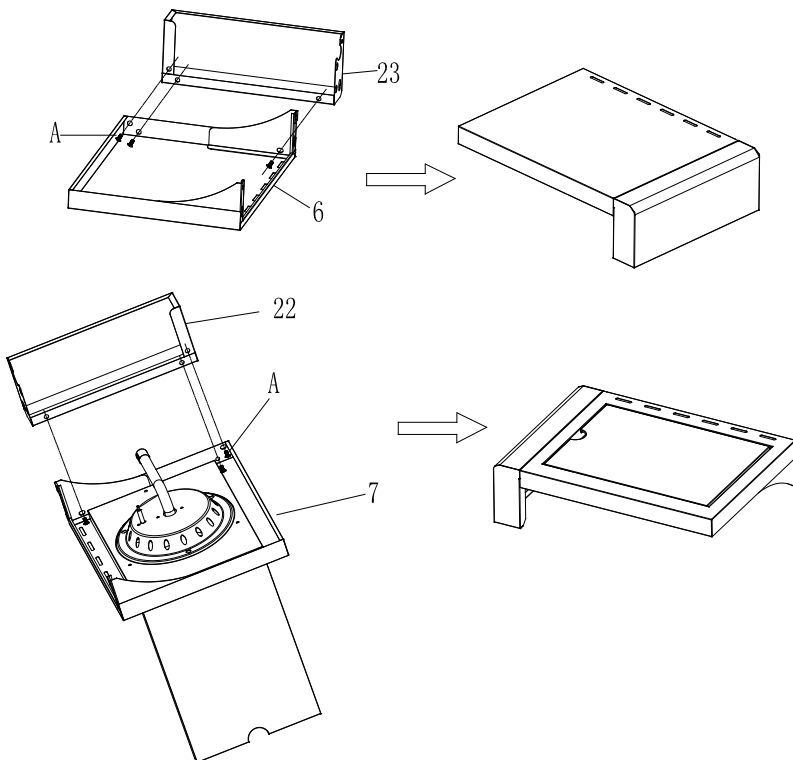
STEP 7

Assemble the firebox (4) on the cabinet by bolt (A) 4pcs as shown.



STEP 8

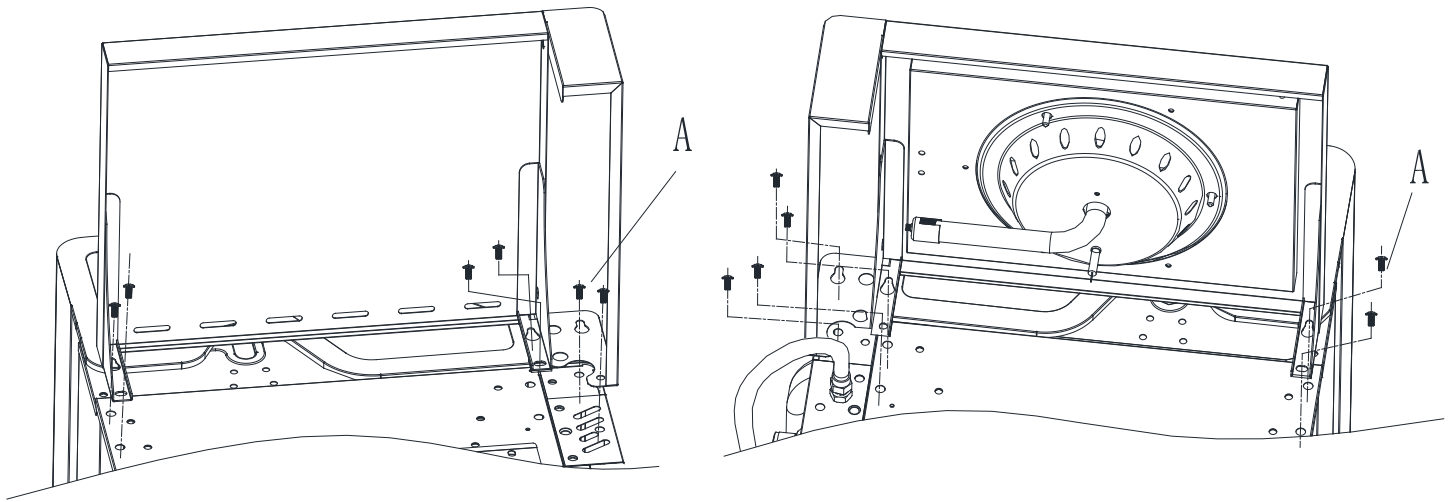
Assemble the front panel of left side table (23) on the left side table (6) and the front panel of right side table (22) on the right side table (7) by bolt (A) 6pcs as shown.



STEP 9

Assemble the complete left side table (6) and the complete right side table (7) on the firebox by bolt (A) 12pcs as below. The side tables can be easily installed by locating the key hole slots over four, partially attached upper screws. After the side table is in position, tighten all screws to complete assembly.

Note: 4 screws are already in position on the firebox sides.

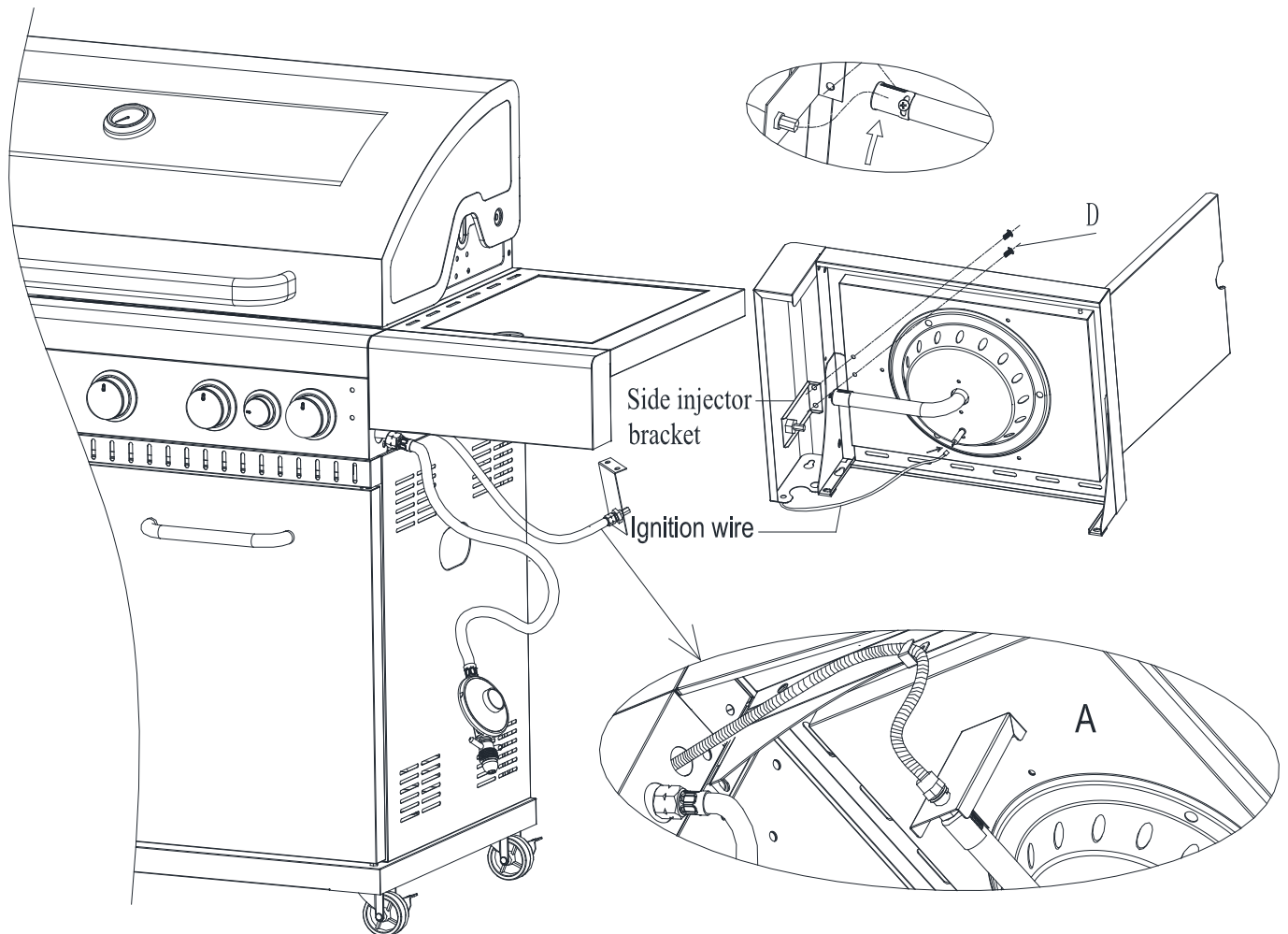


STEP 10

Assemble the side burner injector bracket on the right side shelf and ensure the brass injector is located inside the side burner tube. Fasten the bracket with bolt (D) 2pcs.

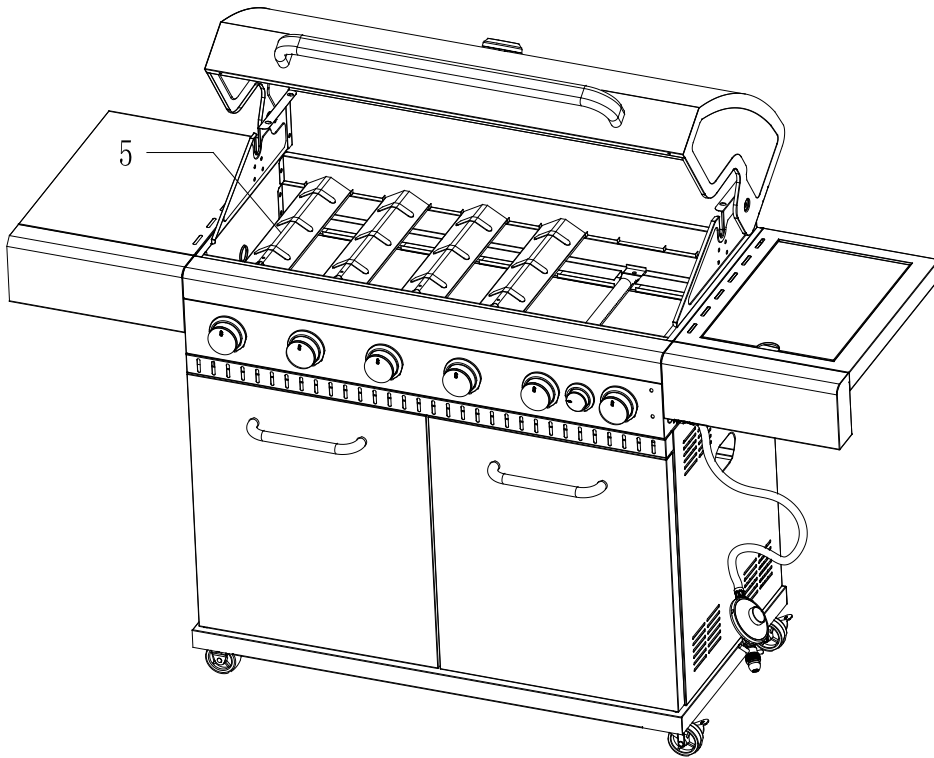
Attach side burner ignition wire into the ignition electrode as shown.

Then secure side burner hose to the underside hook to hide the hose from view.



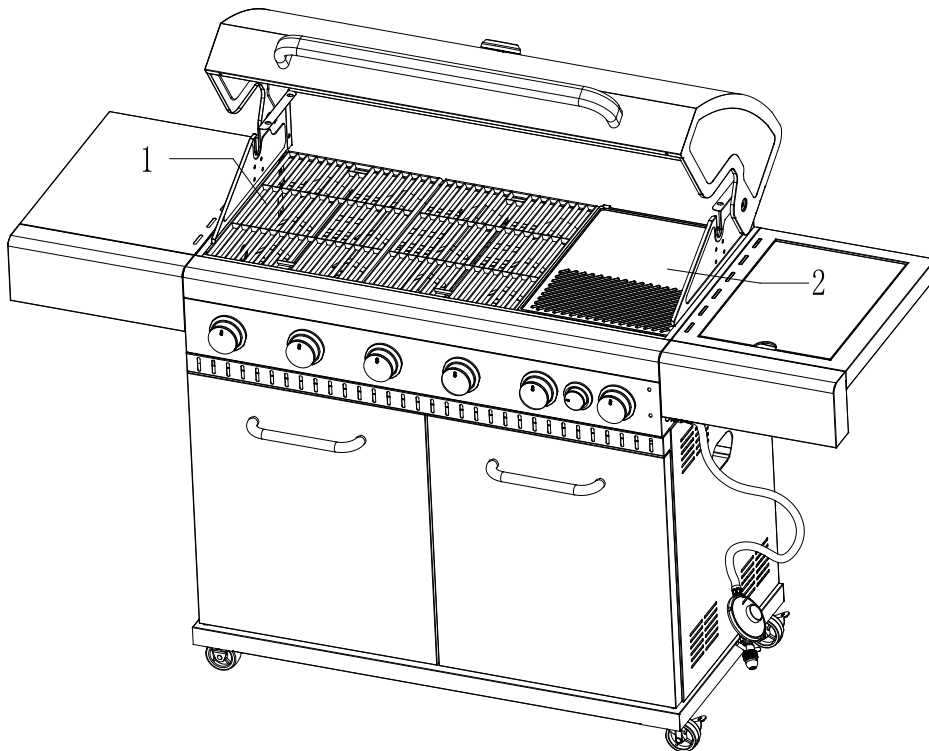
STEP 11

Insert the flame tamer (5) on the firebox as shown.



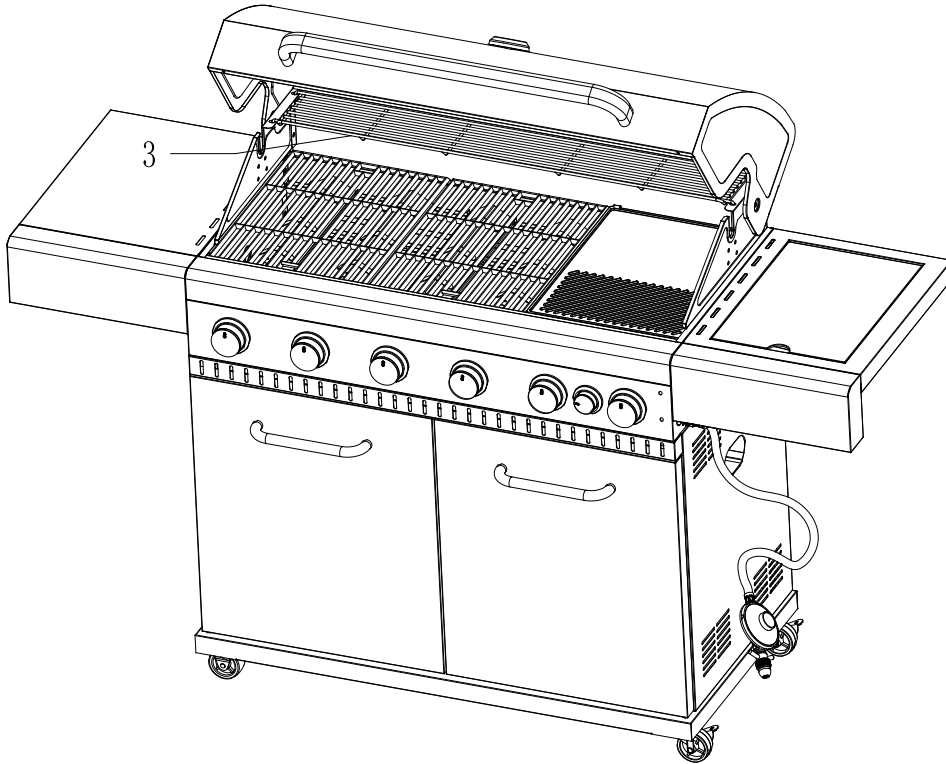
STEP 12

Insert the cooking grill (1) and hotplate (2) on the firebox as shown.



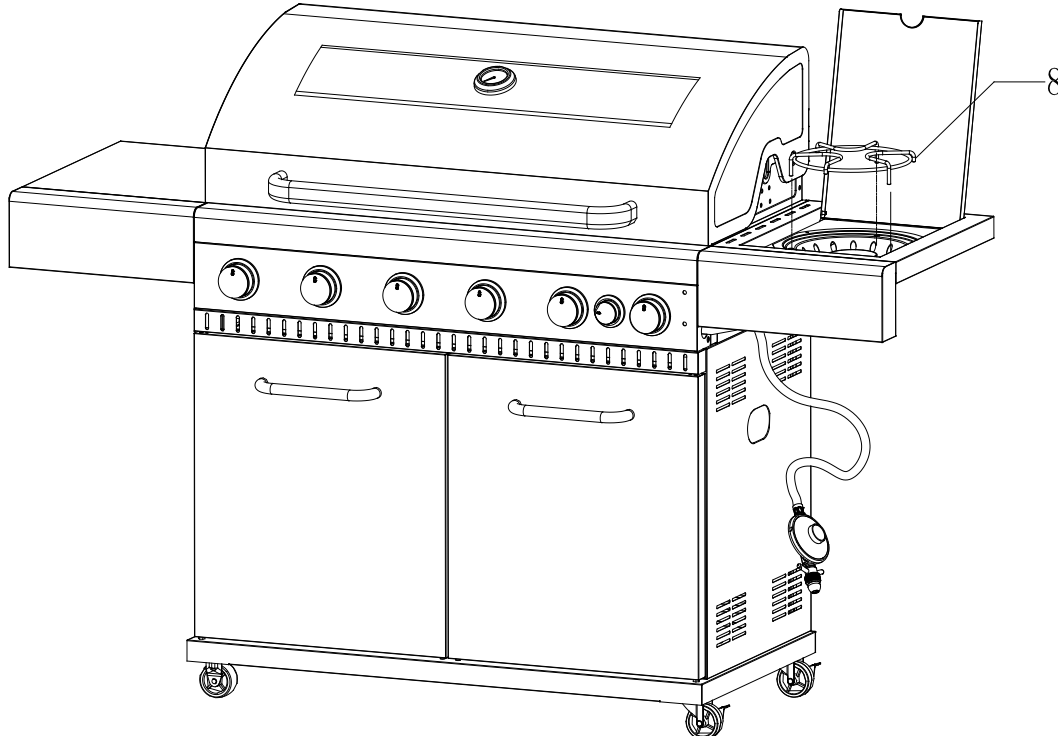
STEP 13

Insert the warming rack (3) on the firebox as shown.



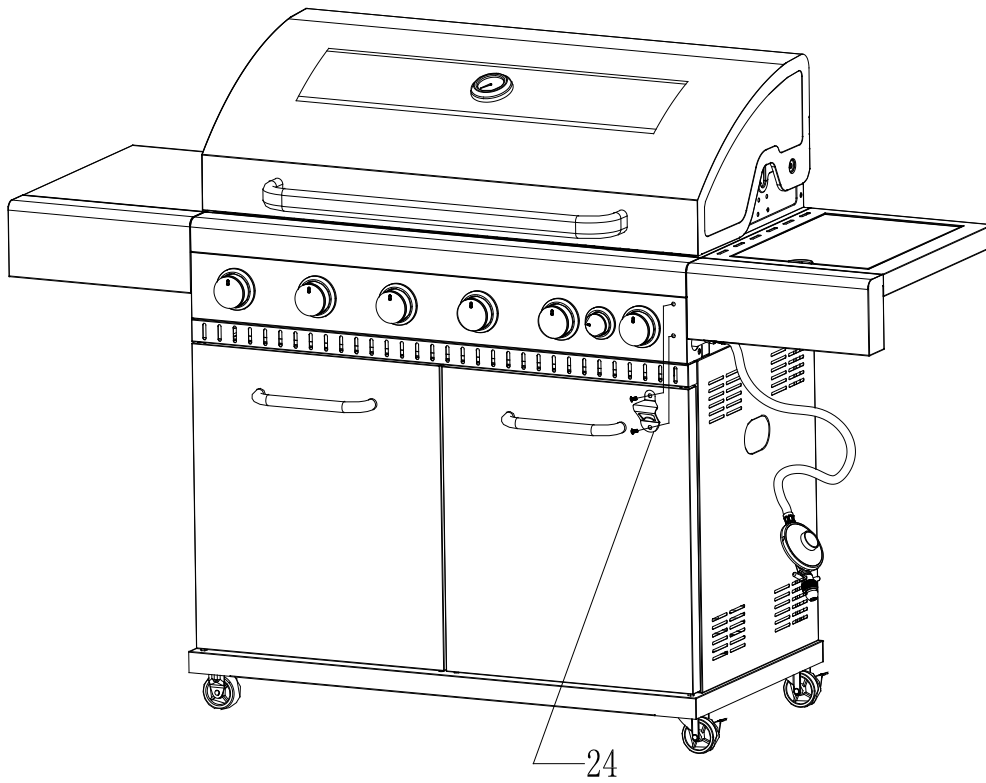
STEP 14

Insert the trivet of side burner (8) on the side burner as shown.

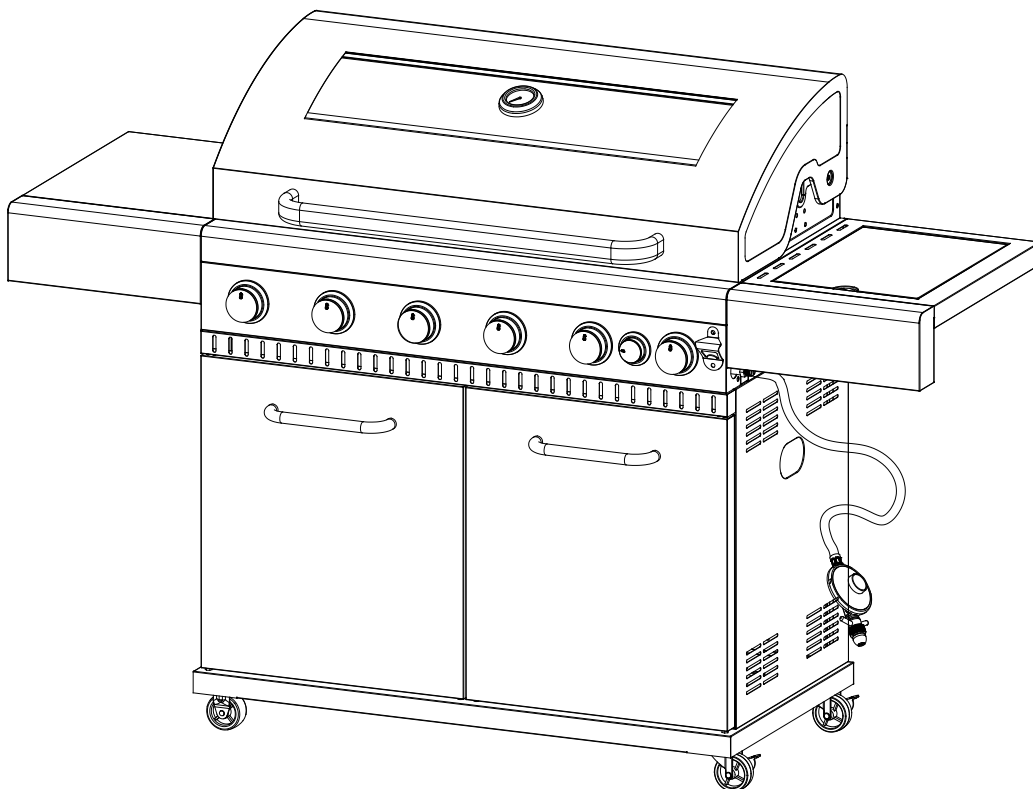


Step15:

Loosen preassembled 2pcs screws, then assemble the beer bottle opener (24) on the control panel with 2pcs screws as shown.



Fully assembled



BBQ LOCATION - Outdoor Areas

Any enclosure in which the appliance is installed or used shall comply with one of the following:

An enclosure with walls on all sides, but at least one permanent opening at ground level and no overhead cover.

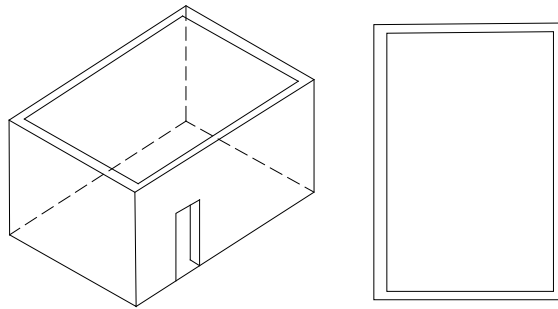
Within a partial enclosure that includes an overhead cover and no more than two walls.

Within a partial enclosure that includes an overhead cover and more than two walls, the following shall apply:

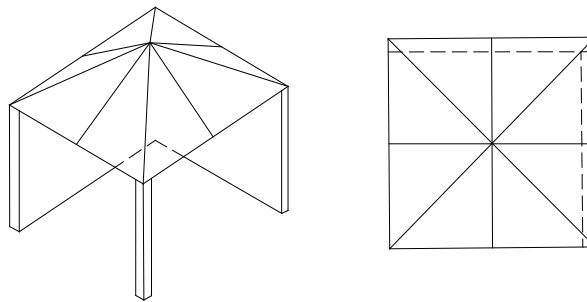
At least 25% of the total wall area is completely open; and

At least 30% of the remaining wall area is open and unrestricted.

In the case of balconies, at least 20% of the total of the side, back and front wall areas shall be and remain open and unrestricted.

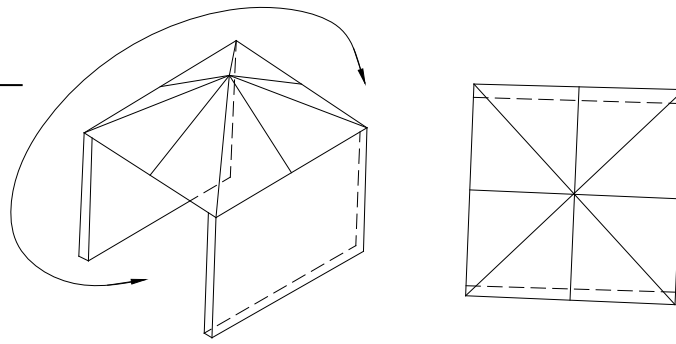


OUTDOOR AREA-EXAMPLE 1



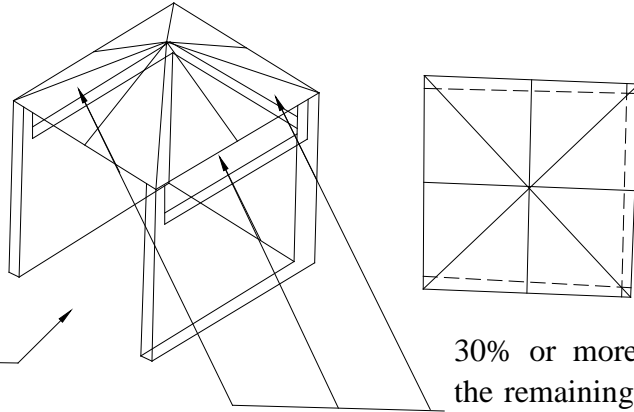
OUTDOOR AREA-EXAMPLE 2

Both ends open



OUTDOOR AREA-EXAMPLE 3

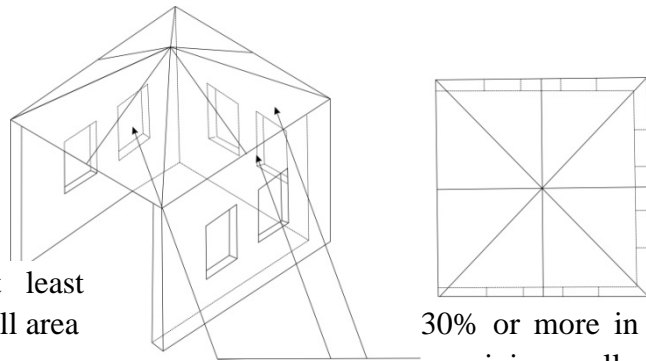
Open sides at least
25% of total wall area



30% or more in total of
the remaining wall area is
open and unrestricted

OUTDOOR AREA-EXAMPLE 4

Open sides at least
25% of total wall area



30% or more in total of the
remaining wall area is open
and unrestricted

OUTDOOR AREA-EXAMPLE 5

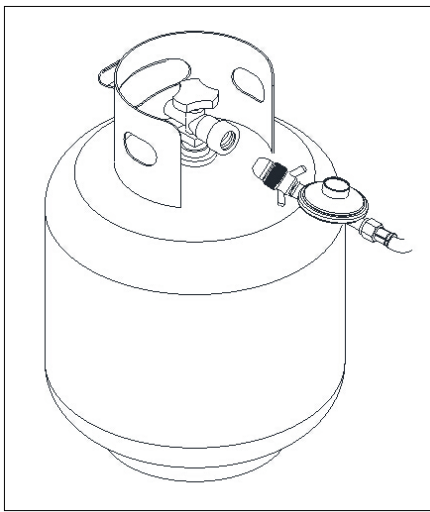
CONNECTION TO LPG CYLINDER

LEAK TESTING

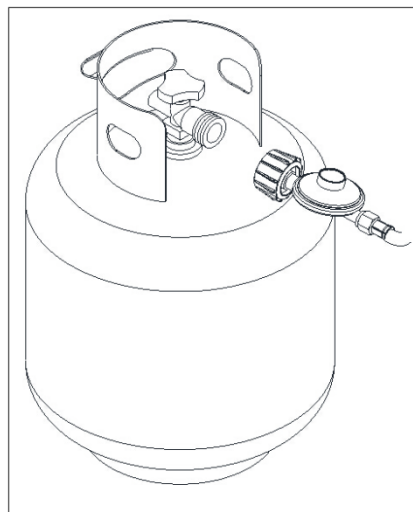
This should be done the first time you connect up the BBQ, and again each use. Always inspect the hose before each use.

Connect the regulator to the LPG cylinder and tighten the connection.

Turn the gas on at the cylinder, or make sure gas is available to the BBQ, but do not turn the burners on. This fills the gas lines with gas. Now brush or pour some soapy water onto all connections. If there is a leak, bubbles should appear within about 20 seconds. If you find any leaks, tighten the connection and repeat the leak test. If the leaks persist, contact your place of purchase.



POL



QCC

DO NOT USE NAKED FLAME FOR LOCATING GAS LEAKS

IF A LEAK PERSISTS, CALL AN AUTHORISED PERSON

DO NOT USE THIS BBQ UNLESS ALL CONNECTIONS ARE GASTIGHT

In the case of a problem arising with the hose and regulator please contact your BBQ supplier for a list of approved replacement parts.

CONNECTION TO NATURAL GAS

This BBQ has been configured for use with LPG from a gas cylinder. If you want to connect this BBQ to a permanent Natural Gas supply, the following steps must be undertaken.

1/ Contact a licensed plumber or gas fitter and arrange a quote to convert this BBQ to Natural Gas, install any pipework necessary to bring a natural gas supply to the installation area and commission the BBQ. All works must be made by a licensed plumber or gas fitter in accordance with AS5601.1.

2/ Contact Pacific Gas & Heating Pty Ltd directly on Tel: 1300 793978 or email info@pacificgas.com.au to order the gas conversion kit specific to your model and supply the name and license number of your chosen gas fitter.

3/ Obtain a certificate of compliance from your licensed gas fitter after installation is complete.

Natural Gas Conversion Procedure

Gas conversion must be conducted by a licensed plumber or gas fitter only.

- Remove BBQ Burners and Side Burner and set aeration shutters to 2mm open on BBQ burners and full open on side burner.
- Remove LPG injectors and replace with Natural Gas Injectors. The natural gas injector sizes are 1.62mm for BBQ burners and 1.5mm for side burner (where included).
- Install BBQ Burners.
- Remove 2.75kPa LPG hose and regulator assembly and replace with adaptor fitting to ½" BSP and/or 10mm ID Natural gas hose (where supplied in the conversion kit) to the ½" BSP Natural gas regulator with 1.0kPa operating pressure.
- Apply the Natural Gas type label over the Propane or Universal LPG label.
- Leak test all connections.
- Connect a safety chain or heavy duty steel cable to the BBQ within 50mm of the gas connection point to prevent strain on the hose in the event the BBQ is moved from the installed position.
- Before leaving, test the operation of all burners on high and low to complete the commissioning process.
- Instruct the consumer on correct use of the BBQ and the location of the gas supply isolation valve which shall be closed after each use.
- If the BBQ is supplied with a duplicate data label, apply this label in the immediate vicinity of the BBQ in an easily accessible area.

LIGHTING PROCEDURE

- Lighting the BBQ is easy, but must be done with due care.
- Make sure the LPG cylinder is filled.
- Make sure that gas is turned on at the cylinder, or that gas is available to the BBQ.
- Check that the end of each burner tube is properly located over each valve orifice.
- Make sure all gas connections are securely tightened.
- Open the hood or side burner lid

MANUAL IGNITION (in case of lighting failure from BBQ ignition)

With the hood or side burner lid open, place a lit match or long stem gas lighter close to the burner you wish to light. Be cautious of the position of your hand and ensure it remains a reasonable distance from the burner. Turn the control to the “High” position. The burner should light. If it fails to light, return the control to the “OFF” position and try again in five minutes.

FLAME THROWER IGNITION OF BBQ BURNERS

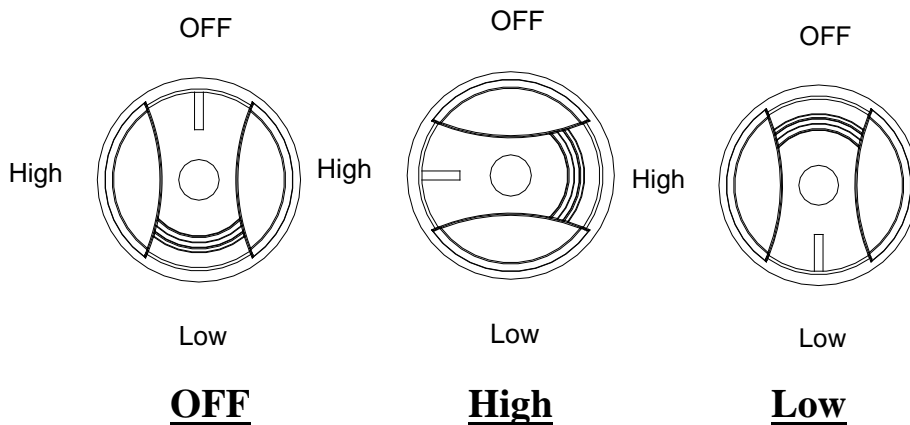
The BBQ burners are equipped with automatic ignition. It works by throwing a flame to the side of the burner to light. Push the knob in and turn anticlockwise to the high position. You should hear and feel a click from the knob. Hold the knob in and observe the flame extend towards the side of the burner. When the burner ignites, release the control knob. If the burner doesn't light on the first attempt, return the knob to the “OFF” position and try several more times. If the burner still does not light, wait a few minutes to allow the gas to disperse before trying again.

SIDE BURNER IGNITION

The side burner incorporates an electrode next to the side burner. To light the side burner, simply push the side burner knob in and turn anticlockwise to the high position. You should hear and feel a click from the knob. When the burner ignites, release the control knob. If the burner doesn't light on the first attempt, return the knob to the “OFF” position and try several more times. If the burner still does not light, wait a few minutes to allow the gas to disperse before trying again.

CONTROLLING THE FLAMES

The knobs have three basic positions. You can achieve any flame height between low and high by rotating the knob between these positions.



Note: ‘Light back’ is a situation where the flame burns inside the burner, towards the front, recognized by a sharp roaring sound coming from the burner. It is not dangerous unless allowed to persist. If this occurs, simply turn the burner off, wait a few minutes, and then relight.

COOKING FOR THE FIRST TIME

IMPORTANT: Please add sand or fat absorption granules to the drip tray before first use.

The cooking surfaces are coated with a non-toxic coating during the manufacturing process. This coating will wear off completely over time. Its purpose is to help protect your BBQ during transport and storage.

It is necessary to season the BBQ plates. Firstly wash cooking surfaces with a mild soap and warm water solution and dry thoroughly prior to seasoning. Use a brush to lightly coat the hotplates with either a cooking or vegetable oil. Light the BBQ as per instructions and turn the burners to low. Leave the BBQ with all burners on low for about 30 minutes. The coating may come off at this time. Now clean the surface again and repeat for the reverse side of the hotplate. The hotplate is now seasoned and ready for use. This process only needs to be done the first time you use the BBQ. For ongoing protection of the cooking surfaces, follow the procedures in the Care and Maintenance sections.

BBQ TIPS

Before cooking, coat the hotplate with oil. This will prevent food from sticking. Light the burners and leave on high for about 3~5minutes to warm the BBQ up.

Avoid continually turning the meat over. When cooking internal juices rise to the surface of the meat and then settle. Each time you turn the meat over, the juices are lost.

Baste the food with light marinade or oil during the cooking process although be careful to avoid flare-ups.

Avoid burning or charring food.

Do not leave cooked food standing for too long before eating.

AFTER USE

To turn the BBQ off, it is best to turn off the cylinder first, and allow all the gas remaining in the hose to burn off, this will only take a couple of seconds. Then turn off all burners.

While the hotplate is still hot, take a long handled brush and a scraper and remove remaining oil and food scraps. You should use protective gloves to avoid burning yourself. Then recoat the plate with oil for continued protection.

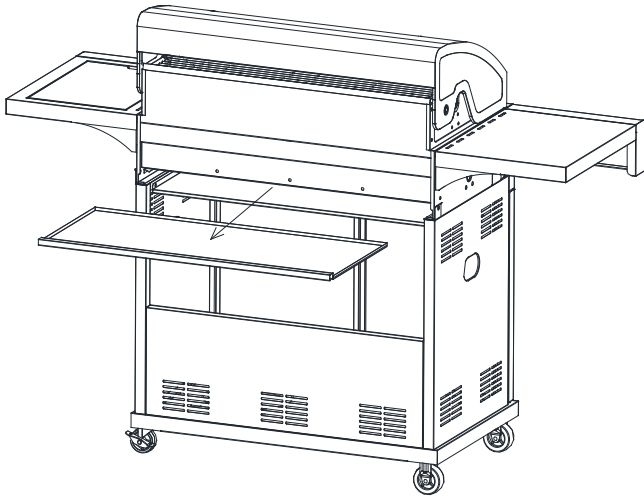
PERIODIC CLEANING

Your BBQ will look better and last longer if you keep it clean.

You should check the burners periodically for any sort of blockage. To do this, remove and inspect them. If any of the holes are clogged, gently tap the burner onto a hard surface to remove residue. Use a wire brush to unclog the holes.

Grease can build up on the frame itself. Most of it can be cleaned off with hot water. Use a non-caustic cleanser for more stubborn stains.

You should empty the fat / drip tray frequently. Never touch the fat / drip tray until the BBQ and fat have cooled down completely.



ABNORMAL OPERATION

Abnormal operation which may require service can be identified by the following:

- 1/ A yellow burner flame
- 2/ A thick, black build-up of soot.
- 3/ Control valves that seize or are difficult to turn.
- 4/ Burners which are difficult to light.

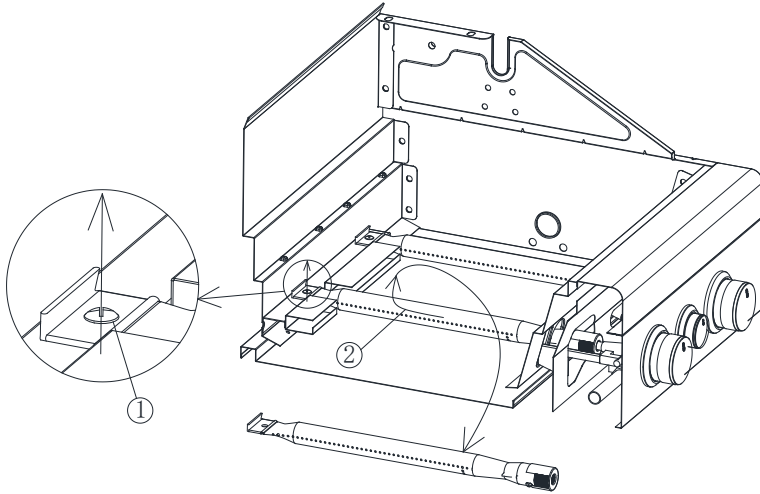
If the BBQ fails to operate correctly, contact an authorised service person for repair.

BURNER MAINTENANCE

To reduce the chance of “FLASH-BACK” the procedure below should be followed at least once a month in late summer or early autumn when spiders are most active or when your BBQ has not been used for a period of time.

1. Turn all burners' valves to the full OFF position.
2. Turn the LPG cylinder valve (clockwise) to the full OFF position.
3. Detach the regulator assembly from the LPG cylinder.

4. Remove the warming rack, cast iron grill, hotplate and drip tray from your grill.
5. Remove all burners from the bottom of the grill by unscrewing the screw at the end of the burner using a philips head screwdriver.
6. Carefully lift each burner up and away from the gas valve orifice.



7. Refer to figure below and perform one of these three cleaning methods.
Bend a stiff wire, (a lightweight coat hanger works well) into a small hook as shown below. Run the hook through the burner tube and inside the burner several times to remove any debris.



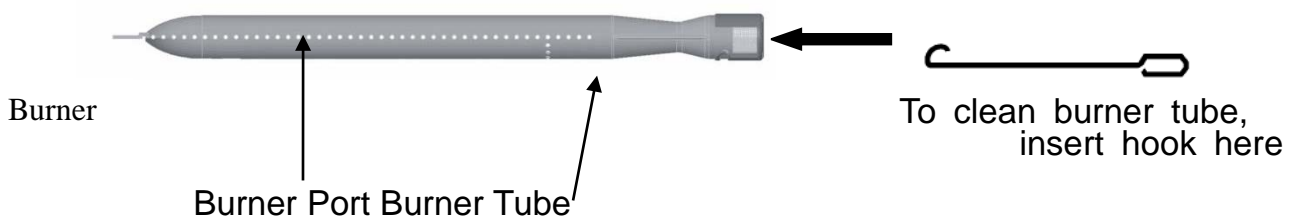
Use a bottle brush with a flexible handle. Run the brush through the burner tube and inside the burner several times, removing any debris.

Use an air hose to force air through each burner tube. The forced air should pass debris or obstructions through the burner and out the ports.

In addition please also complete the following steps to help prolong burner life.

1. Use a wire brush to clean the entire outer surface of each burner until free of food residue, and dirt
2. Clean clogged ports with wire, such as open paper clip.

Inspect each burner after installation, check to ensure that the gas valve orifices are correctly placed inside the end of the burner tubes.



How to replace the battery in the LED Knobs where fitted

STEP 1

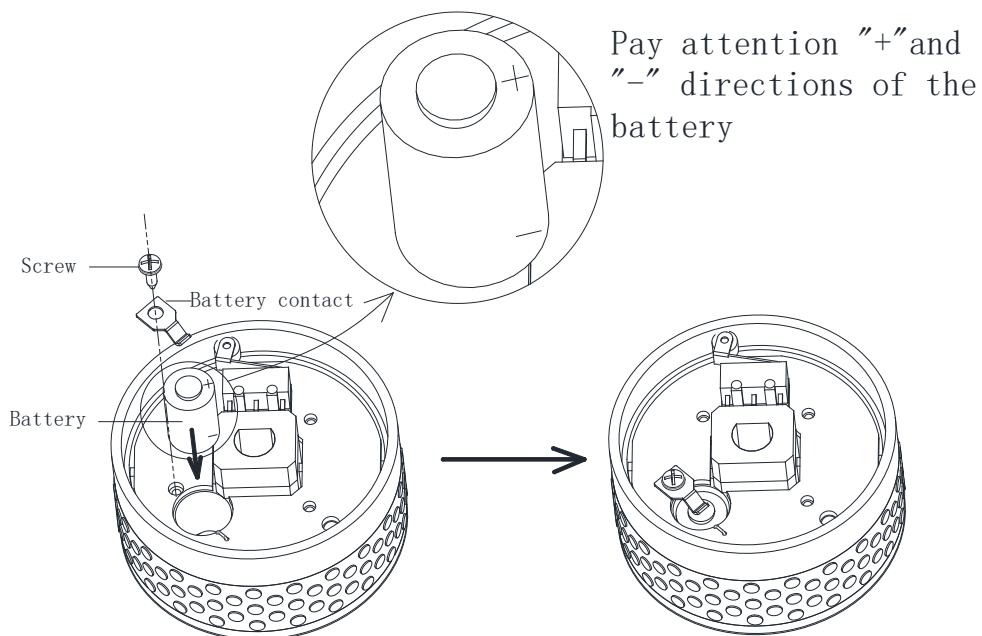
Ensure the knob is in the OFF position, then gently pull out the LED knob straight out from the control panel as shown below.



STEP 2

Exchange the battery as below shown. Loosen the screw firstly, then move the battery contact and take the battery out and put the new battery inside. Then assemble put the battery contact in old position and assemble the screw.

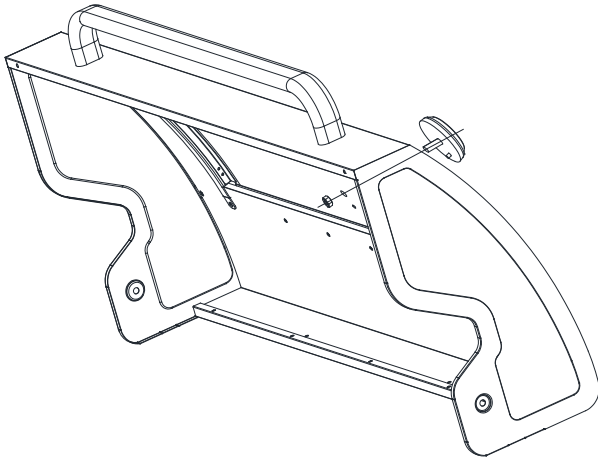
P.S.: Each knob is powered by a L1016 battery 11A 6 voltage



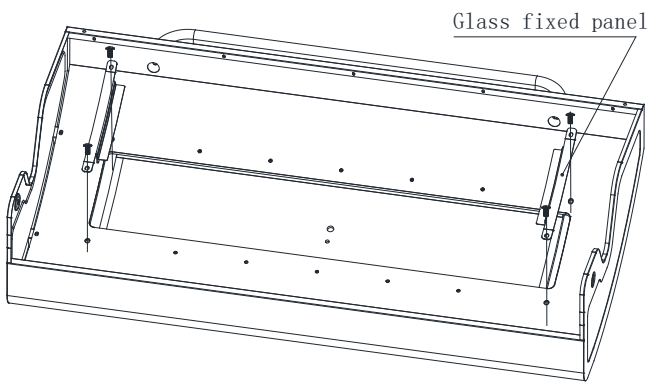
How to replace the glass in hood where fitted

Always wear gloves during replacement of the hood glass

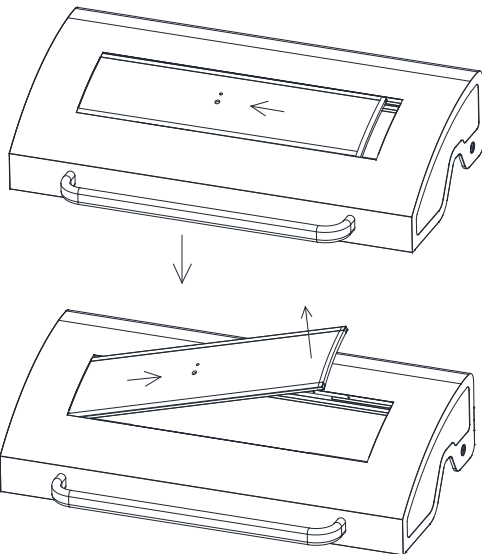
STEP 1, Remove the temperature gauge as shown.



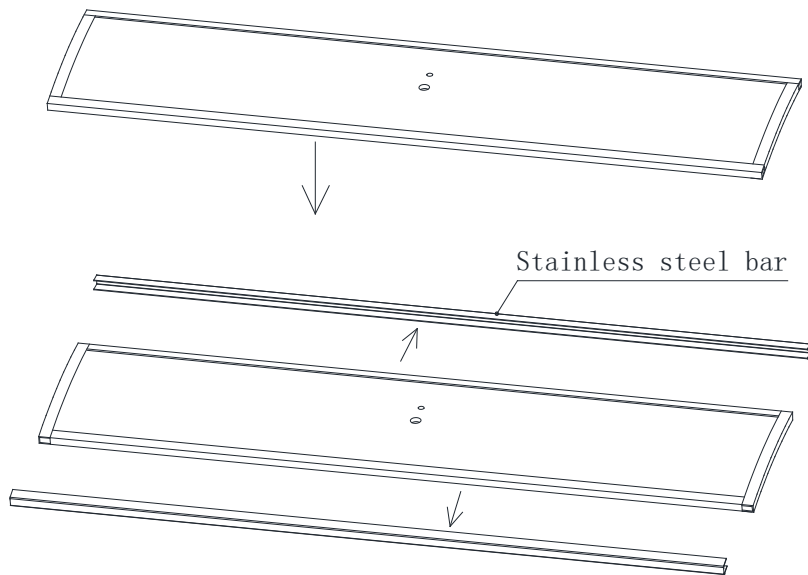
STEP 2, Use screwdriver loosen two sides glass fixed panel screws as shown.



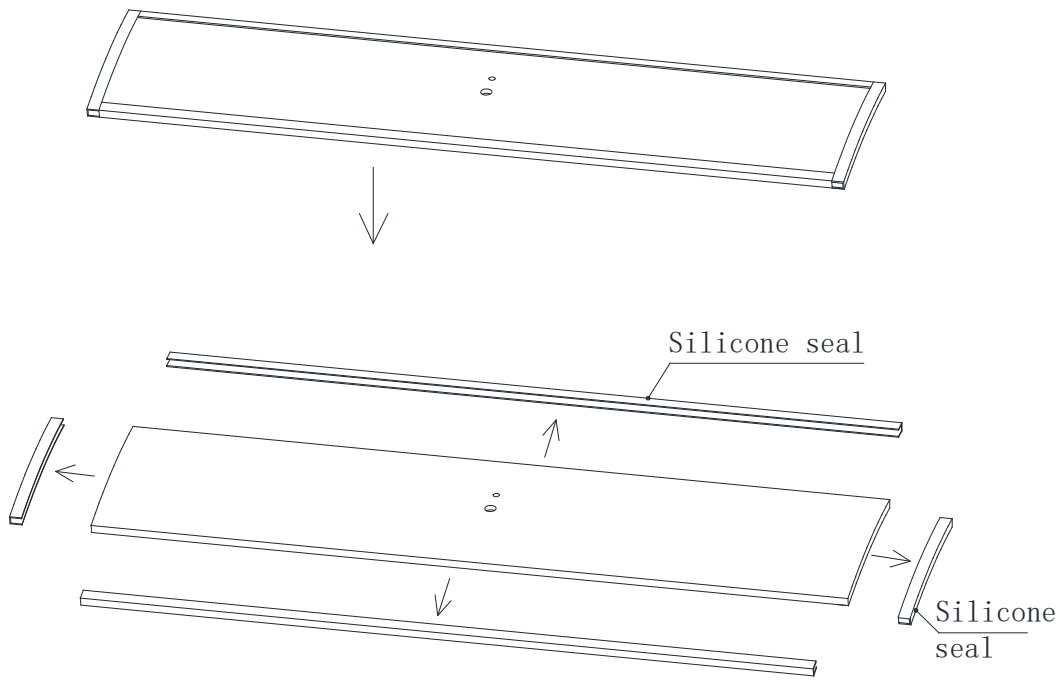
STEP 3, According picture 1 arrow move the glass to left side, then according picture 2 arrow remove the glass out as shown.



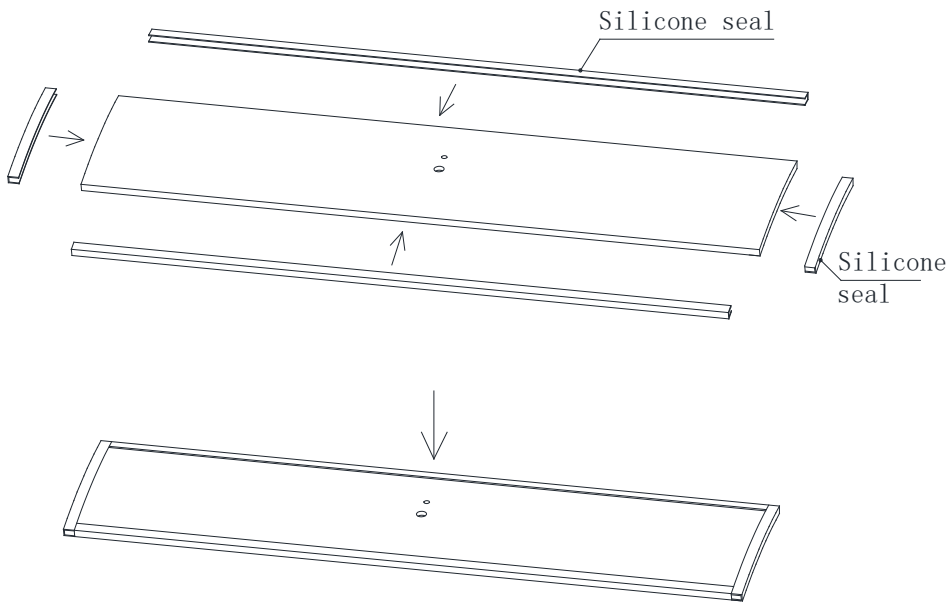
STEP 4, Remove the stainless steel bar as shown.



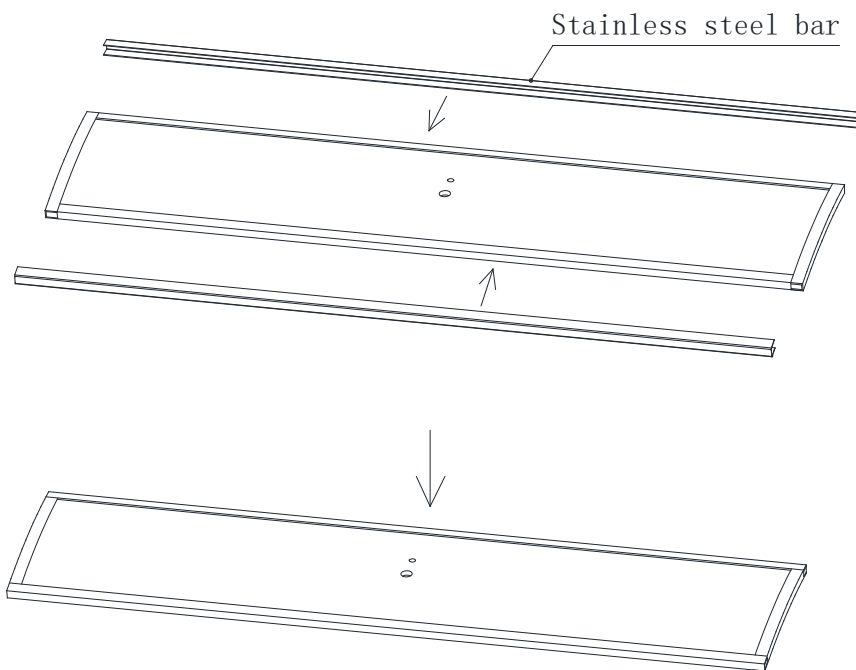
STEP 5, Remove 4 sides silicone seals of glass as shown.



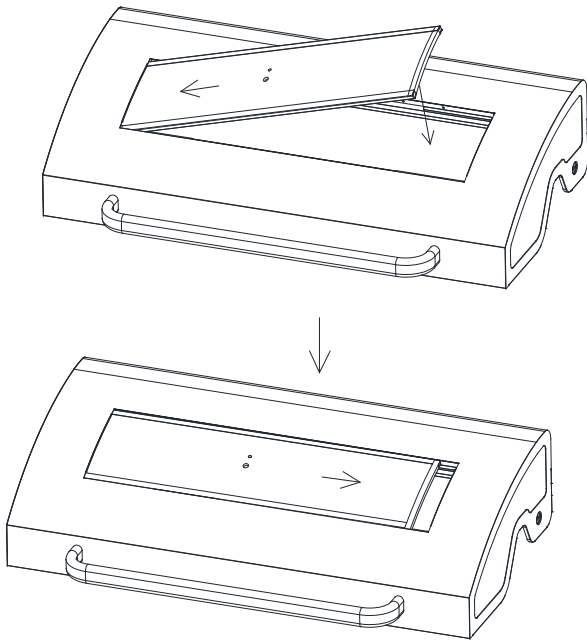
STEP 6 Replace the new glass and put silicone seal on 4 edges of the glass



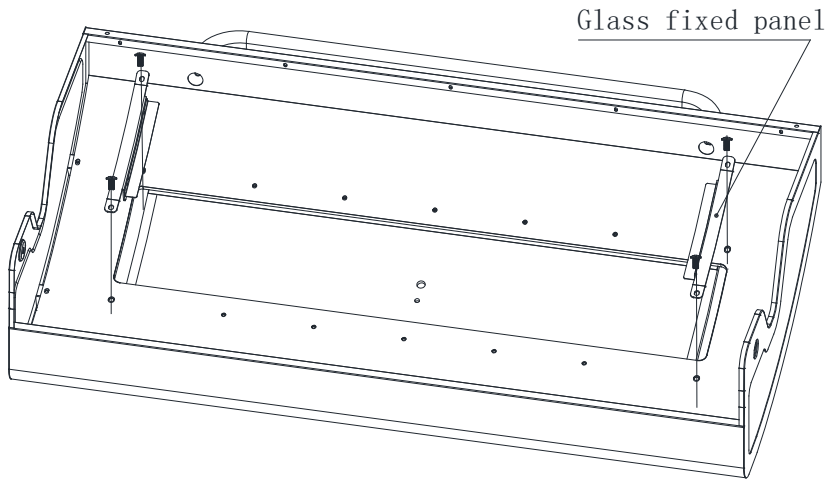
STEP 7 Assemble the stainless steel bar on the silicone seal as shown.



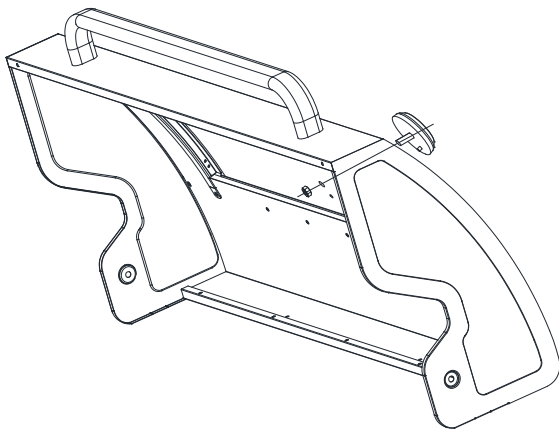
STEP 8 Put the hood glass on the hole from left to right, Then move the glass to the centre of the opening in the hood.



STEP 9 Assemble the glass fixed panel with M4 screw by 4pcs as shown.



STEP10 Assemble the temperature gauge on the hood as shown.
P.S.: Please don't assemble the temperature gauge nut too tight.



STORAGE

1. Ensure the BBQ is properly cooled.
2. Storage of this gas BBQ indoors is permissible only if the gas cylinder is disconnected and removed from the BBQ.
3. Store the BBQ in a cool dry place.
4. Always disconnect the gas cylinder and store it in a safe place, never store a gas cylinder on its side.
5. Never store a gas cylinder in a building, garage or any other enclosed area.
6. If you intend to leave your BBQ outside make sure it is protected from the elements by a heavy-duty cover (not included).
7. Keep outdoor cooking gas BBQ area clear and free from combustible materials, gasoline and other flammable vapours and liquids.



WARNING

STORE CYLINDER IN A WELL VENTILATED AREA

OUT OF REACH OF CHILDREN

IMPORTANT

- This product is for outdoor use only. Do not use indoors. Do not use below ground level.
- Do not store gas cylinders below ground level. LP gas is heavier than air so if a leak occurs the gas will collect at a low level and could ignite in the presence of a flame or spark.
- Do not store or use LP gas cylinders on their side as this could allow liquid gas into the supply lines with potential serious problems.
- Leak test your BBQ before each use. Leak test the hose connections each time you reconnect the gas cylinder.
- Always turn off the gas at the cylinder when not in use.
- Open the door of the trolley to inspect the hose before each use. If there is evidence of excessive abrasion or wear, or the hose is cut it must be replaced prior to the outdoor gas BBQ being put into operation. Only use hose supplied from the manufacturer.

You must have the correct gas cylinder, regulator and hose for this BBQ to operate safely and efficiently. Use of an incorrect gas cylinder, regulator or hose is dangerous and will void the warranty on this product.

CARE AND MAINTENANCE

Remember to turn off and disconnect the gas before any maintenance is carried out.

1. If your BBQ uses a flexible hose to connect to the gas cylinder, check the rubber O-ring on the regulator end of the hose assembly at least once a year. If it appears worn or cracked, have it replaced.
2. We recommend having your BBQ checked by an authorised service agent every 5 years. This is to ensure there are no leaks and that all components are still functioning correctly.
3. Keep the outdoor gas BBQ area clear and free from combustible materials, gasoline, and other flammable vapours or liquids.
4. Make sure there is no obstruction surrounding the BBQ, which may block the flow of combustion and ventilation air.
5. To maintain the surface of your hotplate and grill plate, it is recommended to periodically wash cooking surfaces with a mild soap and warm water solution. Afterwards keep the hotplate and grill plate oiled and covered with the hood when not in use. A BBQ cover (not included) is also recommended to cover your BBQ and maintain and protect from all weather conditions.
6. Regularly change the sand / fat absorption granules in the drip tray.



PRODUCT WARRANTY

Thank you for purchasing one of our quality Jumbuck products. Your Jumbuck product is covered against defects for a period of 12 months for parts and labour, repair or replacement. This warranty excludes surface rust and damage caused by abuse or neglect.

This warranty in Australia is given by Pacific Gas & Heating Pty Ltd, Tel: 1300 793978.
Email: info@pacificgas.com.au

The warranty in New Zealand is given by Bunnings NZ Ltd, PO BOX 14436, Panmure, Auckland, 1741.

Tel: 09-9780000 Fax: 09-9782222

Email: marketing@bunnings.co.nz

Any claim under this warranty must be made within 12 months of the date of purchase of the product. Proof of purchase must be presented.

Goods presented for repair may be replaced by refurbished goods of the same type rather than being repaired. Refurbished parts may be used to repair the goods.

FOR AUSTRALIAN CUSTOMERS

To make a claim under the warranty please contact the store where the product was purchased or contact Pacific Gas & Heating Pty Ltd directly.

CONDITIONS OF THE WARRANTY

The warranty covers domestic use only and does not apply to commercial applications. You may submit details and proof to our store for consideration. The warranty covers manufacture defects in materials, workmanship and finish under normal use. This warranty is provided in addition to other rights and remedies you may have under law: our goods come with guarantees which cannot be excluded under the Australian Consumer Law.

You are entitled to replacement or refund for a major failure and to compensation for other reasonably foreseeable loss or damage. You are also entitled to have the goods repaired or replaced if the goods fail to be acceptable quality and the failure does not amount to a major failure.

FOR NEW ZEALAND CUSTOMERS

To make a claim under the warranty, take the product (with proof of purchase) to any Bunnings store (See www.bunnings.co.nz for store locations). This warranty is provided in addition to other rights and remedies you may have under law: our goods come with guarantees which cannot be excluded under the Consumer Guarantees Act 1993(NZ). You are entitled to replacement or refund for a major failure and to compensation for other reasonably foreseeable loss or damage. You are also entitled to have the goods repaired or replaced if the goods fail to be of acceptable quality and the failure does not amount to a major failure.

Goods presented for repair may be replaced by refurbished goods of the same type rather than being repaired. Refurbished parts may be used to repair the goods.

The warranty excludes damage resulting from product misuse or product neglect.

The warranty covers domestic use only and does not apply to commercial applications.

Please thoroughly read conditions of warranty.

- The appliance must be operated and maintained in accordance with the instructions supplied in the operating manual.
- Any repair does not extend the warranty period.
- Any parts other than original Jumbuck parts will void this warranty.

INSTALLATION CONDITIONS

- All installations must conform to the applicable Electrical and Building standards as laid down by the local codes or state or region.

WHAT IS NOT COVERED IN THE WARRANTY

- Removal or re-installation costs. This warranty does not cover costs for transit nor in home service.
- Lack of maintenance, abuse, neglect, misuse, accidental or improper installation of this appliance.
- Scratches, dents, corrosion or discolouration caused by heat, abrasive chemical cleaners or chipping.
- Corrosion or damage caused by exposure to the elements such as insects, weather or hail.
- Cleaning and wear and tear; service calls of this nature are chargeable.
- Commercial use of the product.
- Unauthorised repairs or modifications during the warranty period.
- Consumable items, example – heating elements.

RECORD THE FOLLOWING INFORMATION

Attach a copy of the purchase receipt here:

Date of purchase.....

Purchased from.....

Location.....

Model Name and Number.....

Date of Manufacture.....

Receipt number.....

FOR TECHNICAL ASSISTANCE

For Australian customers

If you experience any technical issues with your Jumbuck product, in the first instance review the instruction manual or call the warranty service agent below.

For New Zealand Customers

If you experience any technical issues with your Jumbuck product, in the first instance review the instruction manual or call your local Bunnings Warehouse.

WARRANTY CLAIMS

For Australian customers

Please contact Pacific Gas & Heating Pty Ltd, Tel: 1300 793978.

Email: info@pacificgas.com.au

For New Zealand Customers

Please contact the store where the product was purchased.