

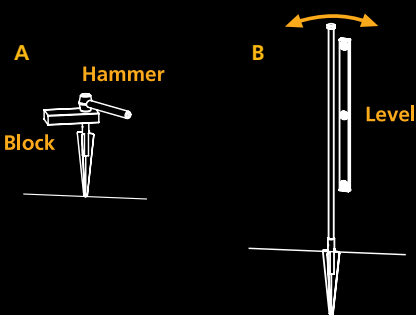
EASY INSTALLATION

1



Determine where you will start the installation (typically at an end, corner, or gate). Then, use a string line to lay out the location of your fence.

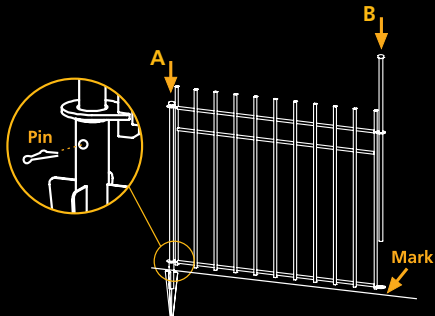
2



A: Position the first spike and hammer it into the ground until the top of the blades are flush with the surface.

B: Temporarily insert the post into the spike to ensure the spike is plumb.

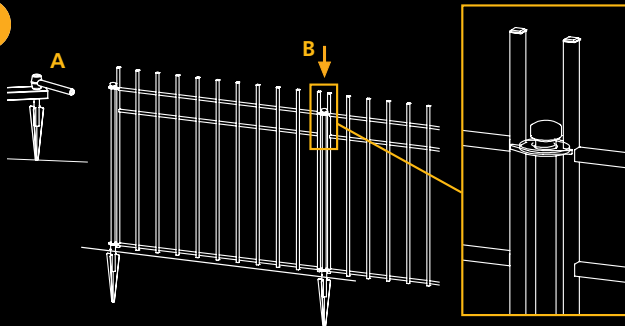
3



A: Insert the first post through the fence panel tabs and down into the spike. Then secure with pin (provided).

B: Insert the second post through the fence panel tabs and press the post into the soil to mark the location for the second spike.

4



A: Hammer the second spike into the ground at the marked location.

B: Insert the second post through the fence panel tabs and down into the spike. Then secure with pin (provided). Repeat steps 3 and 4 for all remaining panels.