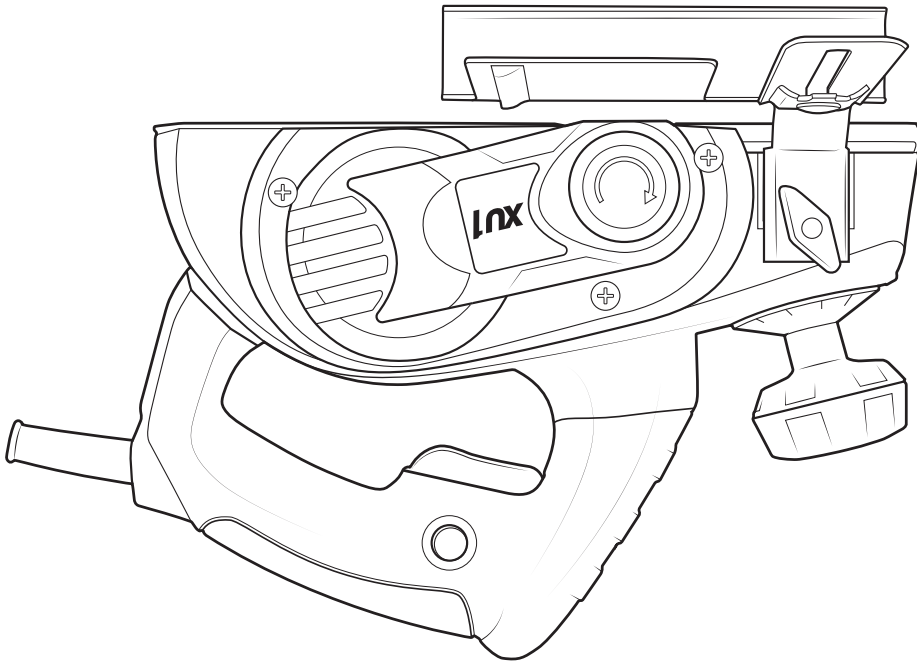


Operating Instructions

XPL-600A

REPLACEMENT WARRANTY
12 MONTHS HOME USE



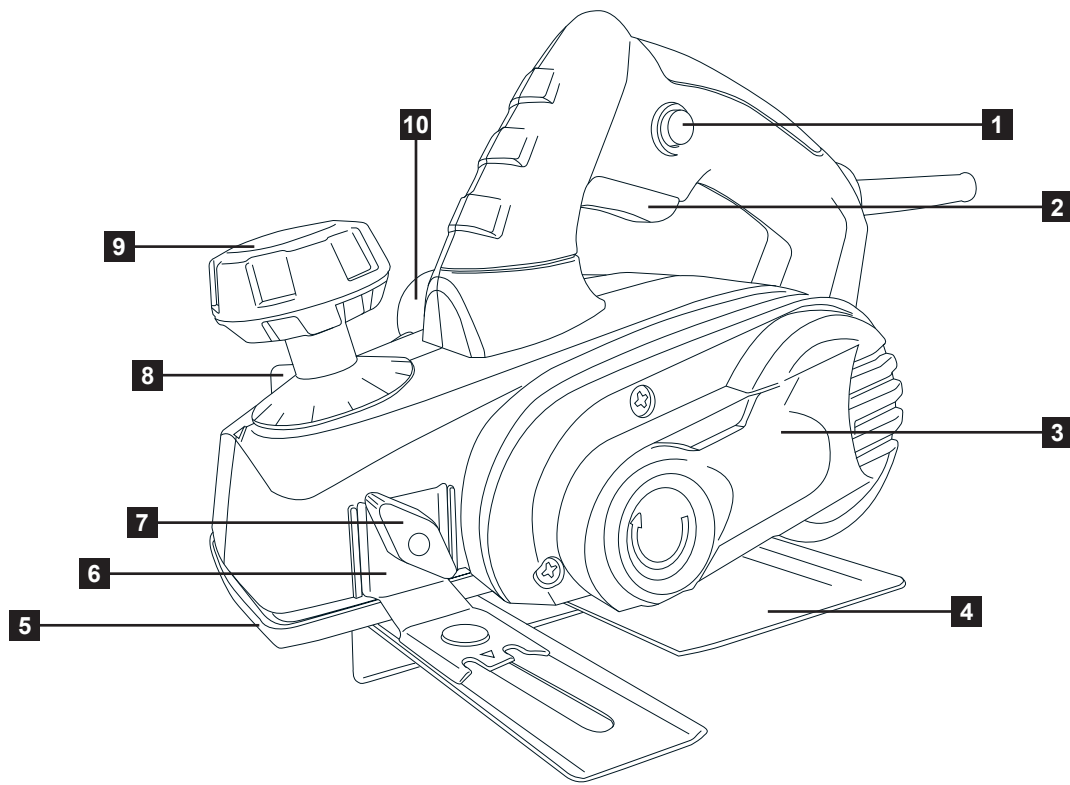
Planner
600W

XU1

XU1 Power tools

1-23 Letcon Drive, Bangholme, Victoria, Australia 3175

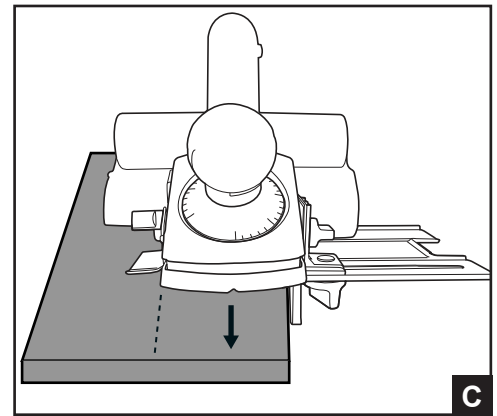
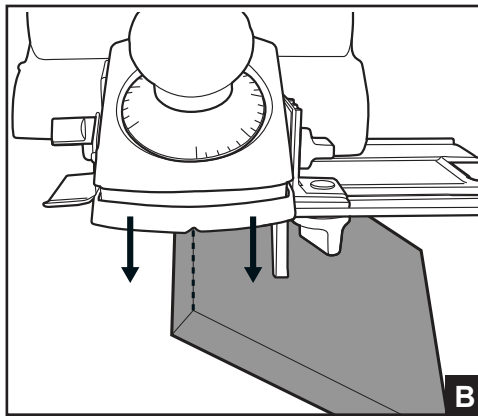
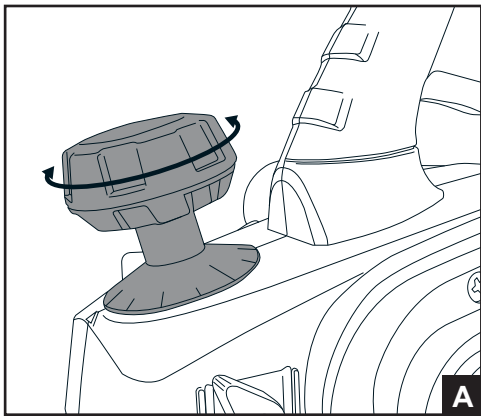
Telephone: 1800 069 486



- 1 Lock-Off Button
- 2 Variable Speed Trigger
- 3 Motor Housing
- 4 Parallel Guide

- 5 Front Base Plate
- 6 Angle Bracket
- 7 Angle Bracket Knob
- 8 Rebate Guide

- 9 Planing Depth Adjustment Knob
- 10 Dust Extraction Chute



SPECIFICATIONS

Input Power:	600W
Input Voltage:	230-240V ~ 50Hz
No Load Speed:	16,000/min
Planing Width:	82mm
Max. Planing Depth:	2mm
Max. Rebate Depth:	0-10mm
Tool Weight:	2.39kg

PROPER USE

This tool is intended for use in a DIY (Do It Yourself) context or for hobbyist purposes. It is not built for continuous daily use in a trade or professional capacity.

Before using the machine, carefully read these instructions, especially the safety rules to help ensure that your machine always operates properly.

Before attempting to operate the machine, familiarise yourself with the controls and make sure you know how to stop the machine quickly in an emergency.

Save these instructions and the other documents supplied with this machine for future reference.

SETUP



WARNING! Ensure the tool is turned off and disconnected from the power supply before performing any of the following operations.

Attaching The Rebate Guide

The Rebate Guide indicates when the required rebate height is achieved.

1. Place the Rebate Guide in the slot on the same side as the Dust Extraction Chute.
2. Place on of the supplied thumbscrews into the slot and tighten by rotating it clockwise.

Attaching The Parallel Guide

1. Fasten the Angle Bracket to the Parallel Guide using the supplied carriage bolt and wingnut.
2. Place the planer on the surface of the workpiece.
3. Align the round Angle Bracket hole with the slot and hole on the side of the planer (on the side without the Dust Extraction Chute).
4. Place one of the supplied thumbscrews into the hole and tighten by rotating it clockwise.
5. Adjust the Parallel Guide until it sits flush with the side of the workpiece.

Note: Make sure the Parallel Guide sits flush with the side of the workpiece at all times to prevent uneven planing.

Adding Dust Extraction

For optimum dust extraction, a vacuum hose (not supplied) can be fitted to the Dust Extraction Chute by using a hose adaptor (not supplied).

1. Insert the vacuum hose adaptor into the Dust Extraction Chute.
2. Connect a vacuum hose to the dust adaptor.

CONTROLS



WARNING! Always pick up the planer before depressing the switch. Failure to do so may result in the blades engaging the surface, which may lead to possible loss of control and/or serious injury.

Turning On/Off The Planer

1. Firmly grip the planer, depress and hold the Lock-Off Button, then squeeze the Variable Speed Trigger.

Note: The Lock-Off Button is a safety measure. The planer will not start unless the Lock-Off Button has been fully depressed first.

2. To turn off the planer, simply release the Variable Speed Trigger.

Note: This tool is not designed for the Variable Speed Trigger to be locked in the 'ON' position. Never jam the Variable Speed Trigger in the 'ON' position.



WARNING! Always wait until the blades have come to a complete stop before setting the planer down. Failure to do so may result in damage to the blades.



WARNING! Ensure the tool is turned off and disconnected from the power supply before performing any of the following operations.

Adjusting The Planing Depth

The planing depth is infinitely adjustable from 0 to 2mm. This is achieved by rotating the Planing Depth Adjustment Knob to the desired setting.

1. Rotate the Planing Depth Adjustment Knob clockwise to increase the depth of cuts. **Fig. A**
2. Rotate the Planing Depth Adjustment Knob counter-clockwise to decrease the cut depth.

Note: It is recommended that test cuts be made on a scrap piece of wood after each adjustment.

Note: It is also recommended that the depth adjustment be set to '0' when the planer is not in use to protect the blades.

OPERATION



WARNING! Prior to planing, please check that workpieces to be planed are free of nails, screws and staples as these may damage the blades, belts or base of the planer and/or result in personal injury.

Planing

When planing, it is better to make several shallow passes for a smoother finish rather than one deep pass.

1. Ensure the workpiece is clamped securely so that it will not move during planing.
2. Hold the planer handle firmly in both hands and place the Front Base Plate on the surface of the workpiece. Ensure that the cutting blades are not touching the surface.

Note: Make sure the Front Base Plate is placed completely flat on the workpiece.

3. Depress the Lock-Off Button and squeeze the Variable Speed Trigger. Allow the motor to reach its full speed before planing.

4. Once the motor has reached full speed, move the planer slowly along the surface of the workpiece.

Note: Apply a steady downward pressure at all times to keep the planer flat on the workpiece from start to finish.

5. When lifting the planer off the workpiece, apply steady pressure towards the rear of the planer and lift it off the surface.

Edge Chamfering

The planer has a precision machined groove in the Front Base Plate for making 45° chamfers along the edges of your workpieces.

1. Set the required cut depth on the planer.

Note: A layer of material will be removed from the workpiece even if the cutting depth is set to '0'; always test the cut setting on a scrap piece of wood first.

2. Align the 'V' groove with the edge of the workpiece. **Fig. B**
2. Guide the planer steadily forward to start chamfering.

Rebating

This planer can make rebate cuts up to 10mm deep.

1. Mark out the area for rebate and clamp the workpiece down securely.
2. Adjust the Parallel Guide to the appropriate width, and the Rebate Guide to the height of the desired rebate. Adjust the chip depth by turning the Planing Depth Adjustment Knob.

Note: It is recommended that rebates are formed over several passes. A 6mm rebate can be formed by making 3 passes over the material at a depth setting of 2mm.

3. Switch on the planer and plane along the workpiece, using the Parallel Guide to keep the planer square to the material surface. **Fig. C**
4. Keep making passes over the material until the Rebate Guide touches the surface of the rebate.

MAINTENANCE



WARNING! Ensure the tool is turned off and disconnected from the power supply before performing any of the following operations.

Cleaning

Your tool has been designed to operate over a long period of time with a minimum of maintenance. That said, continuous satisfactory operation depends upon proper tool care and regular cleaning.

1. Regularly clean the ventilation channels in the tool using a soft brush or cloth.
2. Keep ventilation slots of the tool clean at all times. If possible prevent foreign matter from entering the vents. After each use, blow air through the tool housing to ensure it is free from all dust particles that may build up.



WARNING! Excessive build up of dust particles may cause the tool to overheat and fail.

3. If the enclosure of the tool requires cleaning, use a soft, damp cloth only. Do not use solvents or abrasive cleaners.



WARNING! Never immerse any part of the tool in liquid.

Replacing the Blades



WARNING! Blades are sharp, use gloves when changing or making adjustments.

For best results, keep the blades clean and replace when necessary.

Note: The drum is fitted with two separate blades; both MUST be reversed or replaced at the same time. Never replace only one blade.

1. Loosen the 3 hex head screws using the spanner provided.
2. Push the used blade out through the slot in the motor housing using a screwdriver. Keep fingers away from the blade.
3. Install new blades.

Note: Blades are reversible. If changing blades for the first time, turn over the blades to expose a fresh cutting edge.

4. Tighten the 3 hex head screws.
5. Repeat the process for the other blade.
6. Use the supplied hex key to tighten or loosen the 2 grub screws. This raises or lowers the blade height within the drum.

Note: Prior to using the planer, rotate the drum by hand to ensure the blades do not hit any part of the planer body.

WARRANTY

YOUR WARRANTY FORM SHOULD BE RETAINED BY YOU AT ALL TIMES. IN ORDER TO MAKE A CLAIM UNDER THIS WARRANTY YOU MUST RETURN THE PRODUCT TO YOUR NEAREST BUNNINGS WAREHOUSE WITH YOUR BUNNINGS REGISTER RECEIPT. PRIOR TO RETURNING YOUR PRODUCT FOR WARRANTY. PLEASE TELEPHONE OUR CUSTOMER SERVICE HELPLINE:

Australia 1800 069 486

New Zealand 0508 069 486

TO ENSURE A SPEEDY RESPONSE PLEASE HAVE THE MODEL NUMBER AND DATE OF PURCHASE AVAILABLE. A CUSTOMER SERVICE REPRESENTATIVE WILL TAKE YOUR CALL AND ANSWER ANY QUESTIONS YOU MAY HAVE RELATING TO THE WARRANTY POLICY OR PROCEDURE.

The benefits provided under this warranty are in addition to other rights and remedies which are available to you at law.

Our goods come with guarantees that cannot be excluded at law. You are entitled to a replacement or refund for a major failure and for compensation for any other reasonably foreseeable loss or damage. You are also entitled to have the goods repaired or replaced if the goods fail to be of acceptable quality and the failure does not amount to a major failure.

Generally you will be responsible for all costs associated with a claim under this warranty, however, where you have suffered any additional direct loss as a result of a defective product you may be able to claim such expenses by contacting our customer service helpline above.

1 YEAR REPLACEMENT WARRANTY

Your product is guaranteed for a period of 12 months from the original date of purchase and is intended for DIY (Do It Yourself) use only. If a product is defective it will be replaced in accordance with the terms of this warranty. Warranty excludes consumable parts, for example: driver bits.

WARNING

The following actions will result in the warranty being void.

- Professional, Industrial or high frequency use.
- If the tool has been operated on a supply voltage other than that specified on the tool.
- If the tool shows signs of damage or defects caused by or resulting from abuse, accidents or alterations.
- Failure to perform maintenance as set out within the instruction manual.
- If the tool is disassembled or tampered with in any way.

XU1

Australia/New Zealand (Head Office)

1-23 Letcon Drive, Bangholme, Victoria, Australia 3175

SAFETY INSTRUCTIONS



ALWAYS WEAR EYE, FACE AND EAR PROTECTION

DESCRIPTION OF SYMBOLS



Read instruction manual



Wear eye, breathing and hearing protection



R.C.M. Regulatory compliance mark



Do not put in the rubbish



Double insulated

V

Volts

~

Alternating current

Hz

Hertz

W

Watts



Warning

CARING FOR THE ENVIRONMENT



Power tools that are no longer usable should not be disposed of with household waste but in an environmentally friendly way. Please recycle where facilities exist. Check with your local council authority for recycling advice.



Recycling packaging reduces the need for landfill and raw materials. Reuse of recycled material decreases pollution in the environment. Please recycle packaging where facilities exist.

Check with your local council authority for recycling advice.

ELECTRICAL SAFETY



WARNING! When using mains-powered equipment, basic safety precautions, including the following, should always be followed to reduce risk of fire, electric shock, personal injury and material damage.

When operating the tool

Keep the mains cable away from any moving parts or accessories.

Never cover the ventilation slots in the tool.

The electric motor has been designed for 230-240V only. Always check that the power supply corresponds to the voltage on the rating plate.



This tool is double insulated; therefore no earth wire is required.

Using an extension lead

Always use an approved extension lead suitable for the power input of this tool. Before use, inspect the extension lead for signs of damage, wear and ageing. Replace the extension lead if damaged or defective.

When using an extension lead on a reel, always unwind the lead completely. Use of an extension lead not suitable for the power input of the tool or which is damaged or defective may result in a risk of fire and electric shock.

The power supply for this product should be protected by a residual current device (rated at 30mA or less). A residual current device reduces the risk of electric shock.

If the supply cord is damaged, it must be replaced by the manufacturer, its service agent or similarly qualified persons in order to avoid a hazard.

GENERAL POWER TOOL SAFETY WARNINGS



WARNING! Read all safety warnings and all instructions. Failure to follow the warnings and instructions may result in electric shock, fire and/or serious injury.

Save all warnings and instructions for future reference. The term "power tool" in all of the warnings refers to your mains-operated (corded) power tool or battery-operated (cordless) power tool.

1) Work area safety

- Keep work area clean and well lit.** Cluttered and dark areas invite accidents.
- Do not operate power tools in explosive atmospheres, such as in the presence of flammable liquids, gases or dust.** Power tools create sparks which may ignite the dust or fumes.
- Keep children and bystanders away while operating a power tool.** Distractions can cause you to lose control.

2) Electrical safety

- Power tool plugs must match the outlet. Never modify the plug in any way. Do not use any adapter plugs with earthed (grounded) power tools.** Unmodified plugs and matching outlets will reduce risk of electric shock.
- Avoid body contact with earthed or grounded surfaces such as pipes, radiators, ranges and refrigerators.** There is an increased risk of electric shock if your body is earthed or grounded.
- Do not expose power tools to rain or wet conditions.** Water entering a power tool will increase the risk of electric shock.
- Do not abuse the cord. Never use the cord for carrying, pulling or unplugging the power tool. Keep cord away from heat, oil, sharp edges or moving parts.** Damaged or entangled cords increase the risk of electric shock.
- When operating a power tool outdoors, use an extension cord suitable for outdoor use.** Use of a cord suitable for outdoor use reduces the risk of electric shock.

3) Personal safety

- Stay alert, watch what you are doing and use common sense when operating a power tool. Do not use a power tool while drugs, alcohol or medication.** A moment of inattention while operating power tools may result in serious personal injury.
- Use personal protective equipment. Always wear eye protection.** Personal protective equipment such as dust mask, non-skid safety shoes, hard hat, or hearing protection used for appropriate conditions will reduce personal injuries.
- Prevent unintentional starting. Ensure the switch is in the off-position before connecting to power source and/or battery pack, picking up or carrying the tool.** Carrying power tools with your finger on the switch or energising power tools that have the switch on invites accidents.
- Remove any adjusting key or wrench before turning the power tool on.** A wrench

or a key left attached to a rotating part of the power tool may result in personal injury.

- e) **Do not overreach. Keep proper footing and balance at all times.** This enables better control of the power tool in unexpected situations.
- f) **Dress properly. Do not wear loose clothing or jewellery. Keep your hair, clothing and gloves away from moving parts.** Loose clothes, jewellery or long hair can be caught in moving parts.
- g) **If devices are provided for the connection of dust extraction and collection facilities, ensure these are connected and properly used.** Use of dust collection can reduce dust-related hazards.
- h) **Do not let familiarity gained from frequent use of tools allow you to become complacent and ignore tool safety principles.** A careless action can cause severe injury within a fraction of a second.

4) Power tool use and care

- a) **Do not force the power tool. Use the correct power tool for your application.**
The correct power tool will do the job better and safer at the rate for which it was designed.
- b) **Do not use the power tool if the switch does not turn it on and off.** Any power tool that cannot be controlled with the switch is dangerous and must be repaired.
- c) **Disconnect the plug from the power source and/or the battery pack from the power tool before making any adjustments, changing accessories, or storing power tools.** Such preventive safety measures reduce the risk of starting the power tool accidentally.
- d) **Store idle power tools out of the reach of children and do not allow persons unfamiliar with the power tool or these instructions to operate the power tool.**
Power tools are dangerous in the hands of untrained users.
- e) **Maintain power tools. Check for misalignment or binding of moving parts, breakage of parts and any other condition that may affect the power tools operation. If damaged, have the power tool repaired before use.** Many accidents are caused by poorly maintained power tools.
- f) **Keep cutting tools sharp and clean.**
Properly maintained cutting tools with sharp cutting edges are less likely to bind and are easier to control.
- g) **Use the power tool, accessories and tool bits etc. in accordance with these instructions and in the manner intended for the particular type of power tool, taking into account the working conditions and the work to be performed.**
Use of the power tool for operations different from those intended could result in a hazardous situation.
- h) **Keep handles and grasping surfaces dry, clean and free from oil and grease.**
Slippery handles and grasping surfaces do not allow for safe handling and control of the tool in unexpected situations.

5) Service

- a) **Have your power tool serviced by a qualified repair person using only identical replacement parts.** This will ensure that the safety of the power tool is maintained.

ADDITIONAL SAFETY INSTRUCTIONS FOR PLANERS



WARNING! This appliance is not intended for use by young or infirm persons unless supervised by a responsible person to ensure that they can use the appliance safely. Young children should be supervised to ensure that they do not play with the appliance.

Recommendation that the tool always be supplied via a residual current device with a rated residual current of 30 mA or less.

If the supply cord of this power tool is damaged, it must be replaced by a specially prepared cord available through the service organization.

Hold the power tool by insulated gripping surfaces only, because the cutter may contact its own cord. Cutting a "live" wire may make exposed metal parts of the power tool "live" and could give the operator an electric shock.

Warnings Specific to Planing Operations:

- **Wait for the cutter to stop before setting the tool down.** An exposed cutter may engage the surface leading to possible loss of control and serious injury.
- **Use clamps or another practical way to secure and support the workpiece to a stable platform.** Holding the work by hand or against the body leaves it unstable and may lead to loss of control.
- Be sure to read the instruction manual thoroughly before using this tool.
- Be sure the voltage agrees with specific data on the nameplate.
- Be sure the switch is in OFF position before connecting tool to the power supply.
- Be sure to switch OFF immediately if the tool is jammed in work.
- Be sure the tool is disconnected from power source when cleaning or making adjustments to the tool.
- Be sure the tool is properly held and set for correct use before turning switch to ON.
- Be sure to use specified replacement parts only.
- Be sure to maintain tool with care. Follow instructions for lubricating and changing accessories.
- Be sure to store tool in a clean dry place after disconnecting from power source.
- Keep air vents unobstructed for proper motor cooling.
- DO NOT lay tool down on shoe when the blades are exposed. This can chip the blades.
- Keep side dust extraction port unobstructed at all times.
- Never reach under the tool for any reason unless it is turned off and UNPLUGGED. **BLADES ARE EXPOSED AND EXTREMELY SHARP.**
- Use this tool for working with wood and wood products only.
- Never operate without securely holding the front handle.
- Always operate planer with two hands.
- Planer blades are extremely sharp – Handle with great care.

Use of this tool can generate dust containing chemicals known to cause cancer, birth defects or other reproductive harm. Use appropriate respiratory protection.

Some wood contains preservatives such as copper

chromium arsenate (CCA) which can be toxic. When sanding, drilling, or cutting these materials extra care should be taken to avoid inhalation and minimise skin contact.