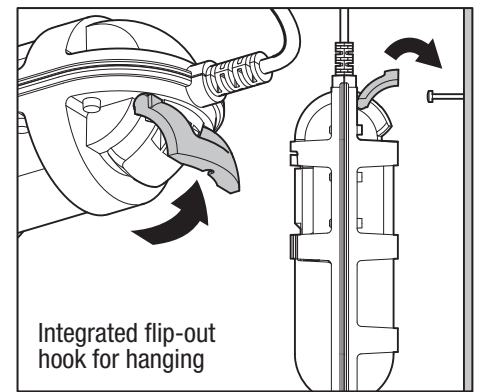
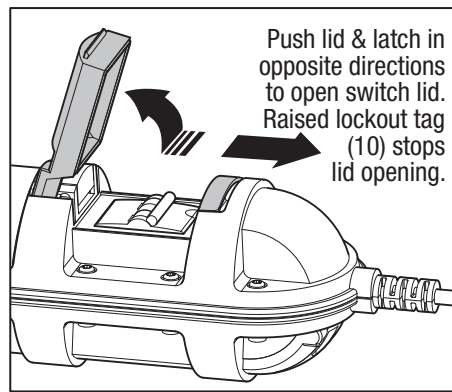
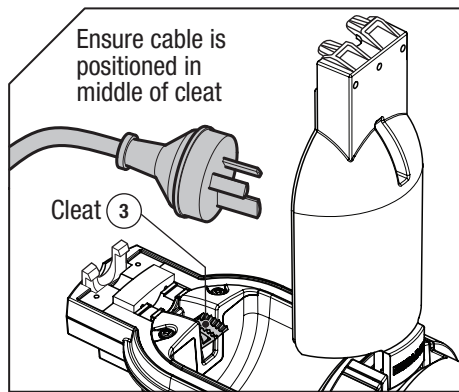
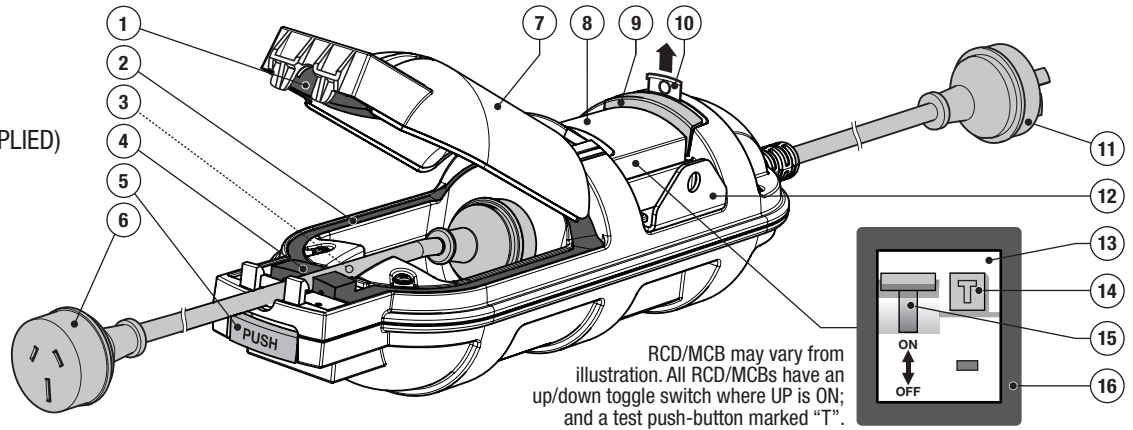


INSTRUCTIONS

No. DESCRIPTION

- 1 CORD SEAL (LID)
- 2 PLUG LID GASKET
- 3 RETAINING CLEAT
- 4 CORD SEAL (BODY)
- 5 PLUG LID LATCH
- 6 EXTENSION CORD (NOT SUPPLIED)
- 7 PLUG LID
- 8 RCD/MCB LID
- 9 RCD/MCB LID LATCH
- 10 LOCKOUT TAG
- 11 PLUG & FLY-LEAD
- 12 SECURITY BRACKET
- 13 RCD/MCB
- 14 TEST BUTTON
- 15 RCD/MCB SWITCH
- 16 RCD/MCB LID GASKET



USING THE AMPFIBIAN:

1. With nothing plugged in, connect Ampfibian plug (11) directly into power supply (wall) socket and switch power supply ON.
2. Switch Ampfibian ON (15). If unit trips, unplug it and contact us. DO NOT USE or continue to next step.
3. Press test button labelled "T" (14). If switch (15) trips OFF continue to step 4. If switch (15) DOES NOT trip when test button pressed, unplug Ampfibian and contact us. DO NOT use Ampfibian or continue to step 4.
4. Connect extension cord (6) to Ampfibian socket ensuring that the lead is captured by the plug lid (7) and cleat (3). Avoid any strain on the lead.
5. Connect extension cord/lead (6) to operating device (caravan, welder, etc.).
6. Switch Ampfibian to ON position (15).

BOTH LIDS (7 & 8) MUST BE LATCHED CLOSED BEFORE USE. INSPECT SEALS FOR DAMAGE AND/OR OBSTRUCTION. DO NOT USE IF LIDS, SEALS OR LATCHES ARE DAMAGED OR INOPERABLE.

IF AMPFIBIAN TRIPS IN SERVICE:

First rule out that the Ampfibian is at fault by performing the above test procedure. Ampfibian will trip due to overload or an earth

leakage fault. If you are unsure of the cause, or you believe there is an earth leakage fault, turn off all power and contact a licensed electrician. If you believe there is an overload, switch off or unplug some of the appliances and reset Ampfibian.

Electricity can be dangerous! RCDs (Residual Current Devices) are not a substitute for basic electrical safety precautions. RCDs are additional protection and will not prevent shock, but will minimise the effect. Do not use this device if it fails to operate correctly in accordance with these instructions.

Ampfibian is rated 240 Volts with a maximum current rating of 10 Amperes (A).

Do not try to open or repair the Ampfibian yourself. No user-serviceable parts are inside. Test the Ampfibian at least once every month as mentioned in step 3. This device will only protect against faults to earth through the body, but not against active to neutral faults.

This device must be connected DIRECTLY to an outlet socket. It must not be connected via cord extension sets.

OPERATING TEMPERATURE 2°C TO 40°C.

Wet seals will freeze and will not recover their shape until thawed. Do not open frozen unit until thawed. Opening frozen unit may result in damage to seals.

DO NOT EXPOSE TO PETROL, OIL, SOLVENTS, POOL CHEMICALS, ETC.!

DO NOT USE IN HAZARDOUS LOCATIONS!

DO NOT USE IF DAMAGED!

DO NOT DISASSEMBLE!

INGRESS PROTECTED TO IP-55.

DO NOT SUBMERGE IN WATER!

REMOVE CONDENSATION WITH A SOFT ABSORBENT CLOTH.

TURN OFF POWER SUPPLY BEFORE HANDLING CONNECTIONS IN WET CONDITIONS!

STORE IN A DRY PLACE OUT OF DIRECT SUNLIGHT.

ENSURE THERE IS NO GAP VISIBLE THROUGH CORD SEALS WHEN CLOSED! IF REQUIRED, LEAVE LID OPEN UNTIL CORD SEALS HAVE FULLY RECOVERED.

THIS PRODUCT IS NOT INTENDED FOR PERMANENT INSTALLATION. DO NOT BURY!

SUITABLE FOR ORDINARY AND HEAVY-DUTY EXTENSION LEADS FROM 7mm TO 12mm DIAMETER.

TO BE USED WITH 10A (2400W) MAXIMUM LOAD.

RCD **RESIDUAL CURRENT DEVICE**

Immediately cuts the power if it detects a difference between incoming versus outgoing current

MCB **MINIATURE CIRCUIT BREAKER**

Cuts the power in case of an overload or short circuit

L-CLASS 

A single phase portable RCD primarily intended for household use

H-CLASS 

A portable RCD intended for general industrial use






INGRESS PROTECTION Protection against intrusion of solid objects and liquids 

| IP_1 | IP_2 | IP_3 | IP_4 | IP_5 |
|--|--|--|--|---|
| Protection against vertical falling water drops | Protection against vertical falling water drops up to 15° from the vertical | Protection against spraying water (rain) at an angle up to 60° from vertical | Protection against splashing water from any direction (360°) | Protection against water jets from any direction (360°) |
| IP1_ | IP2_ | IP3_ | IP4_ | IP5_ |
| Protection for the back of the hand against access to hazardous parts and objects larger than 50mm | Protection for fingers against access to hazardous parts, and objects larger than 12.5mm | Protection for persons holding tools or wires (larger than 2.5mm diameter) | Protection for persons holding tools or wires (larger than 1mm diameter) | Protection against entry of dust in sufficient quantity to interfere with equipment |

IMPACT PROTECTION Resistance to mechanical impacts 

| IK01 | IK02 | IK03 | IK04 | IK05 |
|---|---|--|---|---|
| 0.15 Joules impact energy Drop of 200g object from 7.5cm height | 0.2 Joules impact energy Drop of 200g object from 10cm height | 0.2 Joules impact energy Drop of 200g object from 10cm height | 0.5 Joules impact energy Drop of 200g object from 25cm height | 0.7 Joules impact energy Drop of 200g object from 35cm height |
| IK06 | IK07 | IK08 | | |
| 1.0 Joules impact energy Drop of 500g object from 20cm height | 2.0 Joules impact energy Drop of 500g object from 40cm height | 5.0 Joules impact energy Drop of 1.7kg object from 29.5cm height | | |

AMPFIBIAN PRODUCT RANGE 

| Product | MINI +MINI-BLU* | PLUS | MAX | SP-15 | SP-20 | SP-32 | TP-10 | TP-20 | TP-32 | |
|---------------|--|------|-------|--|-------------|-------|---|-------|-------------|--|
| MODEL | Standards Approval AS/NZS 3190:2011 "Approval and test specification – Residual current devices (current-operated earth-leakage devices)" -NA- AS/NZS 3001:2008/Amdt 1:2012 "Electrical Installations – Portable structures and vehicles including their site supplies" | | | | | | | | | |
| | Device Class L-Class Domestic | | | H-Class General Industrial | | | | | | |
| | Impact Rating IK-08 | | | | | | | | | |
| | Load Socket   15A Single Phase Socket (three flat pins) | | | | | | | | | |
| LOAD | Ingress Protection IP-44 IP-33 | | IP-55 | | | | | | | |
| | Phases Single Phase | | | | | | Three Phase | | | |
| | Max. Load 10A | | | 15A | | | 10A | | 15A | |
| SUPPLY | Max. Supply 10A | | 15A | 20A | 32A/40A/50A | | 10A/20A | 20A | 32A/40A/50A | |
| | Supply Lead Plug Top  Three Flat Pins | | |  Three Round Pins | | |  Five Round Pins | | | |
| | Ingress Protection -NA- | | | IP-56 Collared | | | | | | |

*) MINI-BLU available exclusively in NZ.