



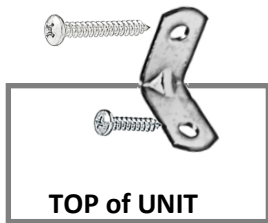
MULTISTORE

ASSEMBLY INSTRUCTION FOR MAXI ULTRA-515

WARNING: Serious injury or death can be caused by toppling furniture

Help prevent tip-over:

- Anchor this product to a wall or other suitable surface
- Check anchors regularly
- Avoid placing TVs on top unless the TV is also anchored
- Use drawer locks to prevent children climbing



When attaching unit to wall put safety bracket in middle of unit with 16mm pan head screw then 25mm pan head screw into wall. For plasterboard without a stud it is recommended to use a plug with screw (not provided).

2 x L & R GABLES

1 x BACKING BOARD

3 x FIXED SHELF

1 x ADJUSTABLE SHELF **H**

1 x BOTTOM KICK **B**

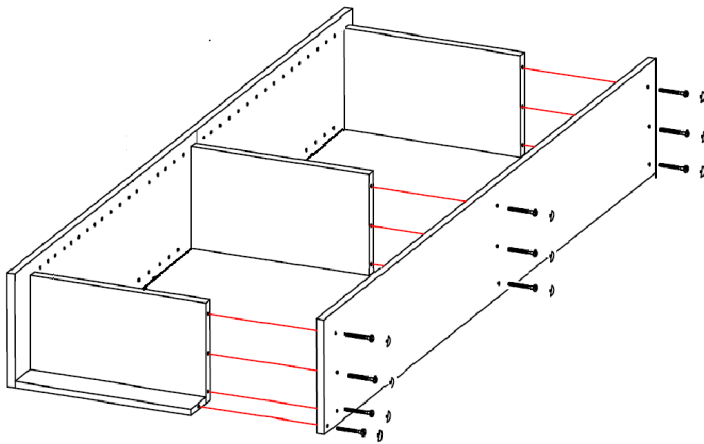
NO	MODEL	DESCRIPTION	QTY	NO	MODEL	DESCRIPTION	QTY
1		CONFIRMAT SCREWS 50mm x 5mm	20	5		16mm PAN HEAD SCREWS	1
2		CAPS	20	6		25mm PAN HEAD SCREWS	1
3		BACKING NAILS	75	7		"L" SAFETY BRACKET	1
4		SUPPORT PINS	4				



MULTISTORE

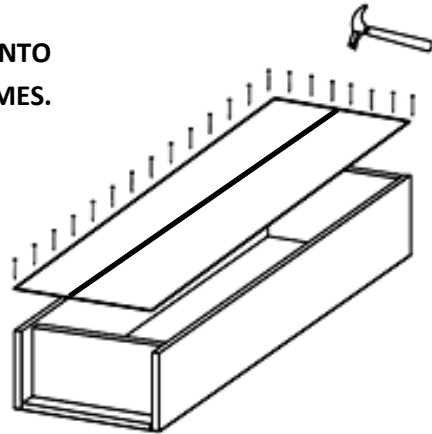


TAKE YOUR GABLES AND LAY THEM OUT FLAT, YOU SHOULD HAVE 1 X LEFT-HAND, 1 X RIGHT-HAND GABLES.



ALIGN YOUR SHELVES AND KICK TO THE LEFT-HAND GABLE, SCREW THEM INTO PLACE ATTACH YOUR RIGHT-HAND GABLE AND DO THE SAME.

FOLD OUT YOUR BACK AND PROCEED TO NAIL THEM INTO POSITION MAKING SURE YOU ARE SQUARE AT ALL TIMES.



NEXT STEP:



GRAB THE SHELF PINS AND PUSH THEM INTO THE HOLES PROVIDED THESE WILL SUPPORT YOUR ADJUSTABLE SHELF YOU MAY POSITION WHERE-EVER NECESSARY.