

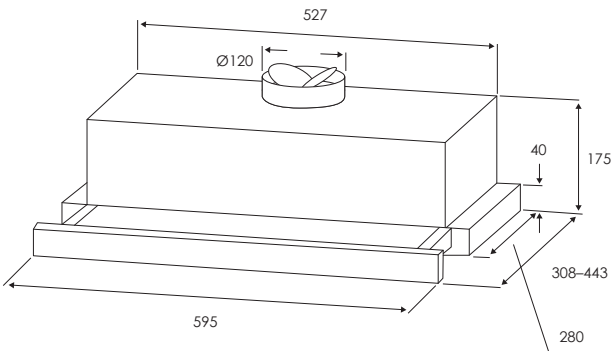
REVERSIBLE VENTING

# Slide out rangehood 60cm



## Model: RHSOR61

- Ducted or recirculating with reversible venting option
- Stainless steel front panel
- Slider control switching 3 speeds
- 2 energy efficient LED lamps
- Noise 59 dbA
- Aluminium grease filter washable in dishwasher
- Twin motors 450m<sup>3</sup>/h
- 2 x carbon filters for recirculating operation
- 40 and 80mm fascia
- Ø air outlet 120mm
- Outside air non return protection



QUALITY ASSURED

To obtain full installation instructions for this appliance go to [kleenmaid.com.au](http://kleenmaid.com.au) and click on User Care Manuals, top right.

J11401\_04

Level 2, 204 Botany Road, Alexandria NSW, 2015  
P: 02 9310 1207 • E: [support@kleenmaid.com.au](mailto:support@kleenmaid.com.au)  
[www.kleenmaid.com.au](http://www.kleenmaid.com.au)

**kleenmaid**  
The best you can own