
Adjustable Barrier/Security Door

INSTALLATION INSTRUCTIONS

Congratulations on the purchase of your Make it Easy/Secure Adjustable Hinged Door, built to provide you with years of security and trouble free service.

Protector Adjustable Barrier/Security Doors can be adjusted to fit any existing door frames that measures between 2030mm to 2070mm in height and 808mm to 848mm in width.

Please take the time to read this guide to help you accomplish a professional result.



Protector^{AI}
MAKE IT EASY MAKE IT SECURE

CONTENTS

1. Tools required
 2. Check the door pack
 3. Measure the opening and cut frame to size
 4. Corner bracket assembly
 5. Door frame assembly
 6. Installing door
 7. Installing striker plate
-

Tools required

Ensure you have the following tools and fasteners:

- 1 Pencil
- 2 Ruler
- 3 Tape Measure
- 4 Utility Knife
- 5 Phillips Head Screwdriver
- 6 Hammer
- 7 Chisel (Sharp)
- 8 Drill
- 9 Drill bits – No.20 and No.30
- 10 Dropsaw



WARNING

When using power tools, always ensure they are connected to an approved earth leakage protected power supply.

Do not use 240 volt tools outdoors if it is raining or the job site is exposed to rain or water.

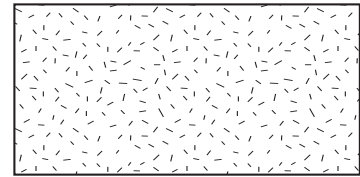
Always wear suitable safety equipment, e.g. goggle or safety glasses when using power tools and make certain that loose items of clothing, hair and jewellery are restrained.

Clear the work area of hazards before commencing.

Checking the Door Pack Contents

Inside this pack you should have the following:

Internal Panel
(Grille, Perforated Aluminium or Woven Stainless Steel) **x 1**



Side frame with lock cut out and latch assembly fitted **x 1**



Side frame with hinges fitted **x 1**



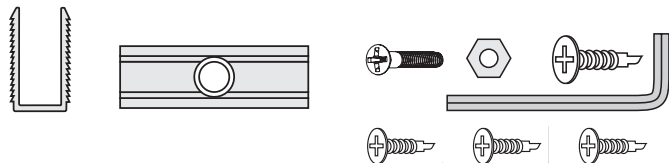
Top Frame **x 1**



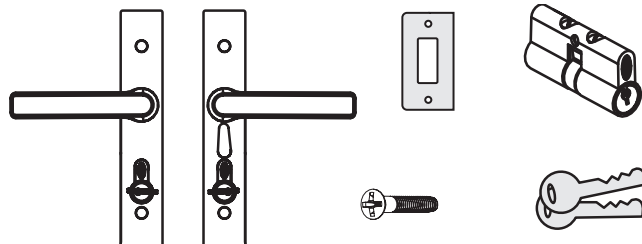
Bottom Frame **x 1**



Corner Bracket Assembly (boxed separately)
corner bracket, clamp, nut, bolt and screw
x 4 plus 4mm hex key
Coloured Screws Black, Primrose, White **x 10**
(Use the colour that matches your frame)

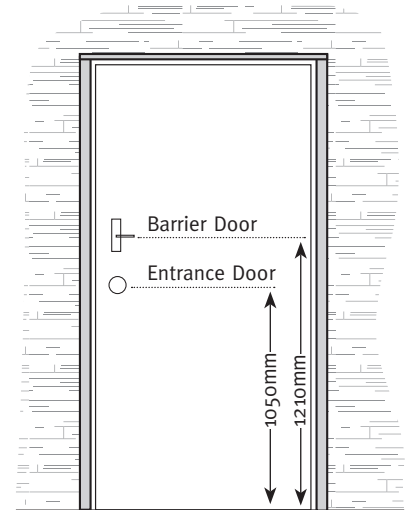


Latch Assembly Parts, screws and
striker plate (boxed separately) **x 1**



Measure the opening and cut door to size

- Determine if your door will be hinged to the left or right hand side when viewed from the street.** Protector Adjustable Barrier/Security Doors can be hinged either right or left, by simply rotating the door 180° to suit.
- Decide whether your door will swing in or out – most security doors swing out.**
Hinges face the side they open toward (ie face in for inward opening and out for outward)
- Check that door handle will not hit your existing door handle, if it does you may have to hinge it from the other side.** The majority of timber door handles are fitted at 1050mm in height.
- Measure the heights left and right side of frame (y)**
If heights are different, use the smaller height



Cut side frames 10mm shorter than the height of door frame opening

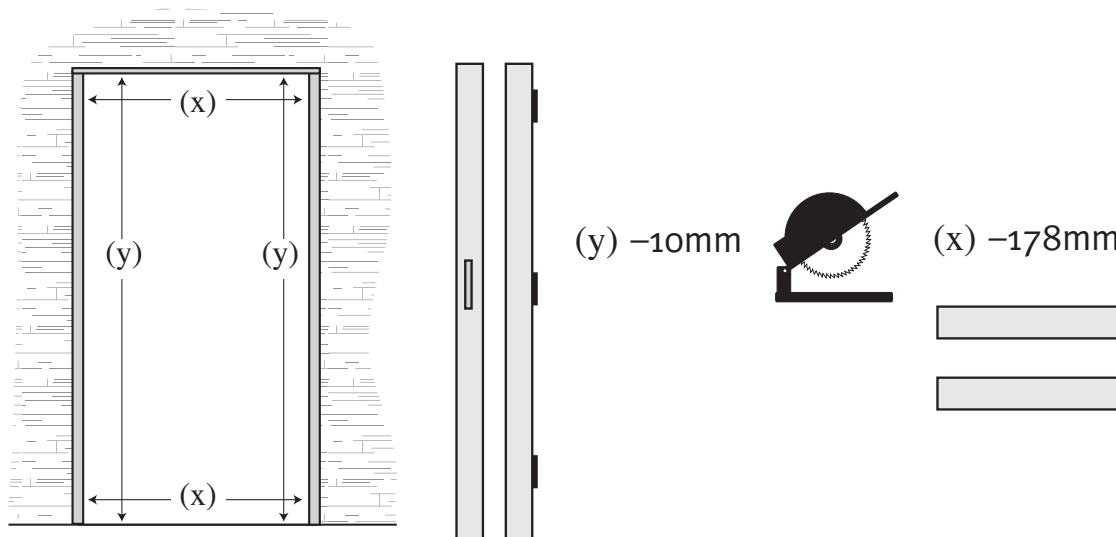
- Measure the width of door frame – top and bottom (x)**

Measure the width of frame opening at top and bottom

(Note: A small tolerance can be allowed if the door frame is not square, however if the door is made not square the butt joints on the frame may not line up perfectly.)

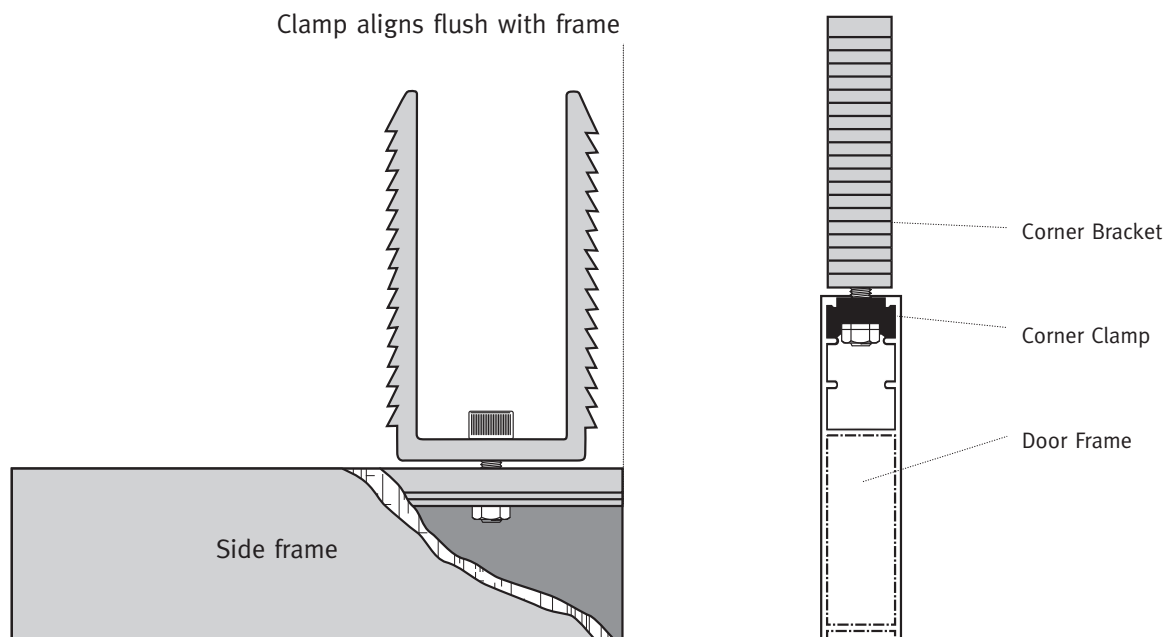
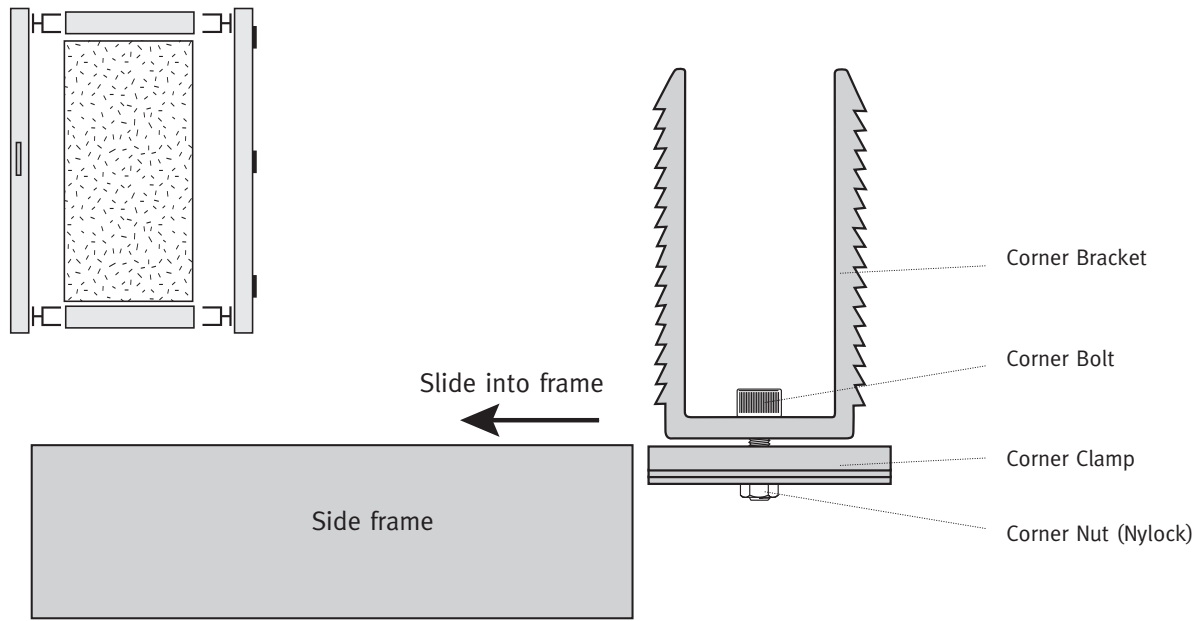
Cut top and bottom frames 178mm less than the width of door frame opening

The middle can be adjusted later



Corner Bracket Assembly

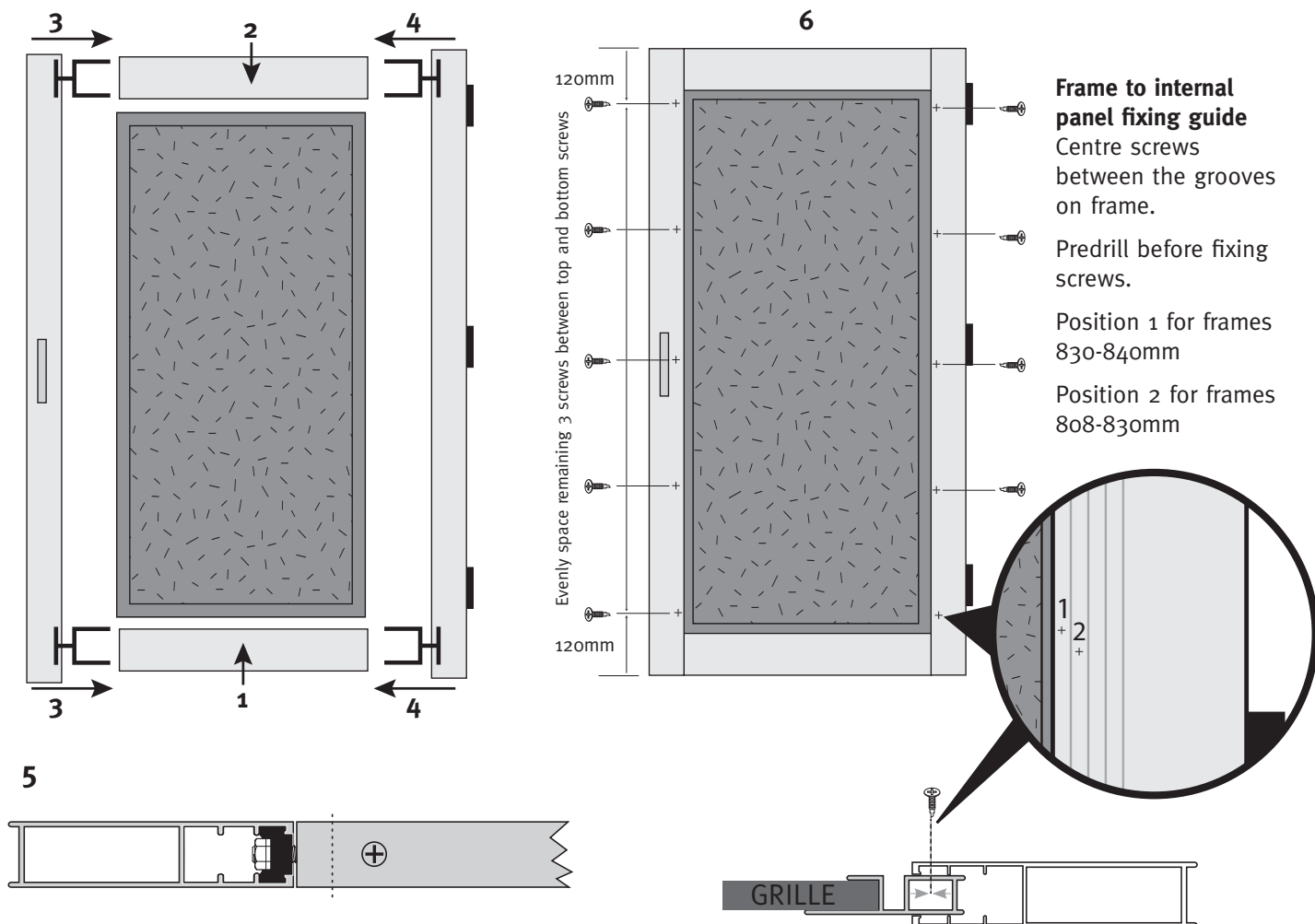
Insert the corner bracket assembly into top and bottom of side frames, tighten using the 5mm hex key. Make sure the edge of the corner clamp is flush with the end of the side frames.



Door Assembly

Assemble with outside of door facing down, ensure hinges and internal panel are also facing down

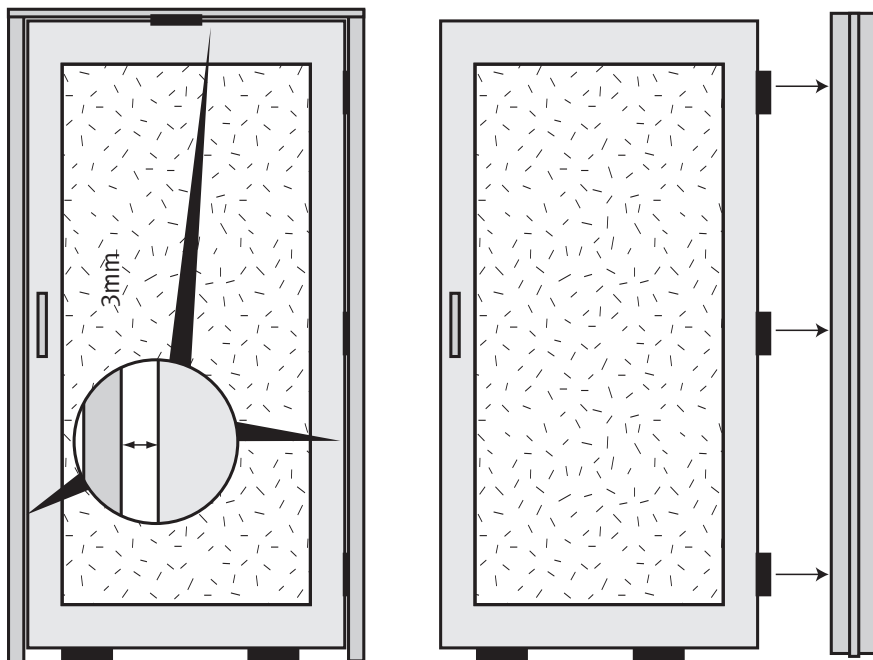
1. Slide the bottom frame onto the internal panel keeping it approximately centre
2. Repeat with the top frame
3. Insert corner brackets into top and bottom frames ensuring the internal panel slides into the side frame.
4. Insert corners into the other side
5. Screw the corners with one screw to each corner – clamping top and bottom can make it easier to fit. Pre drilled screw holes will also make it easier using a No. 20 drill bit
6. Using a timber block and hammer tap the internal panel so it sits centrally within the frame. If middle measurement differs from the top and bottom measurement you can adjust it by either squeezing or pulling the outer frame. Screw frame to internal panel from the inside of door, using the 10 coloured screws supplied that match your frame. Pre drill holes from inside of door frame as shown in diagram and screw tight.



TIP: Before pre-drilling holes ensure screw will be fixing into centre of grille frame cavity as shown

Installing Barrier/Security Door

- a. Use a packer e.g. 2-3 pieces of cardboard from the packaging. Close the hinges on your Security Door and stand the door on the packers with the hinge side against the door jamb. A 3mm gap at the top is required.
- b. Mark the bottom of the top hinge using a pencil.
- c. Open the door and continue the hinge line onto the inside of the jamb.
- d. Open and prop up the door so that your hinge mark aligns with the hinge.
- e. Fix the hinge in the centre oval hole with a screw. You may need to mark it and pre drill.
- f. Close the door and check your gaps, 3mm top and sides, adjust as necessary.
- g. Fix the bottom hinge and check that the door swings freely of obstruction.
- h. Fix the centre hinge screw off the other remaining hinge holes.



Place wedges top and bottom of door so there is a 3mm gap between door and frame, mark hinge position.

Open door and prop level and aligned with marks on frame for hinges, then fix.

7. Fitting the Latch

FOLLOW THE INSTRUCTIONS PROVIDED WITH THE LATCH PACK FOR ASSEMBLY.

Fitting the striker plate/s

Close the door and mark the points opposite the top and bottom of the main lock bolt.

Open the door and place the striker plate on the two pencil marks and run a pencil around the rectangular opening, through the two screw holes and around the outline of the striker plate.

Drill two small pilot holes for the screws, now chisel out the marked rectangle to a depth of 20mm.

Fit the striker plate with the two screws, check that the lock bolt engages properly into the striker plate and that the recess is deep enough.

Now check that the door can be locked and unlocked with the snib, and then check that the door can be locked and unlocked from inside and outside with the key.

If a multipoint lock, repeat process to install striker plates for the top and bottom slave bolts.

