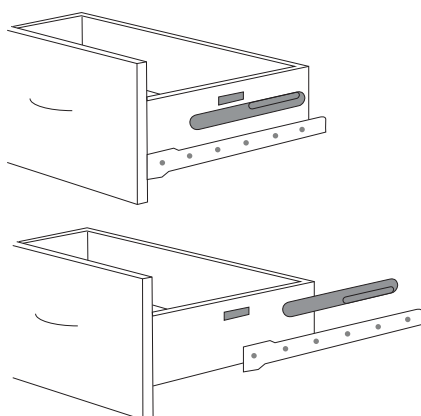


1 PCE

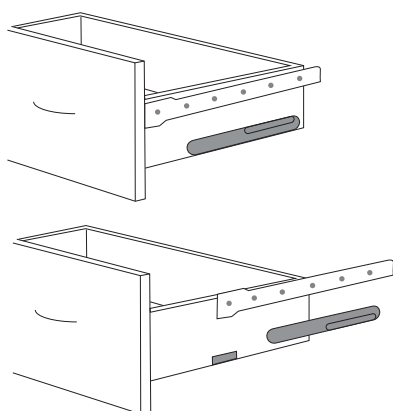
**HÄFELE**

## **SOFT CLOSE DRAWER ADAPTOR**

Suits timber and metal drawers



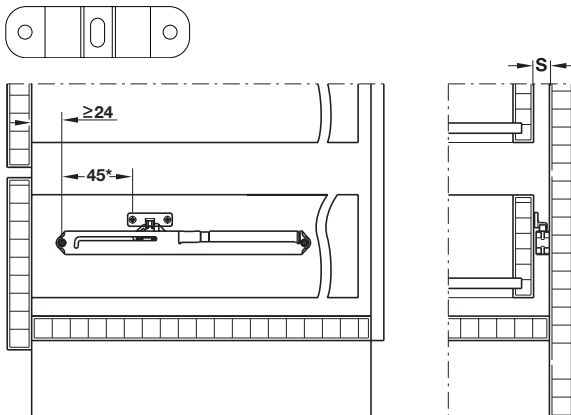
**Timber Drawer Mounting**



**Steel Drawer Mounting**

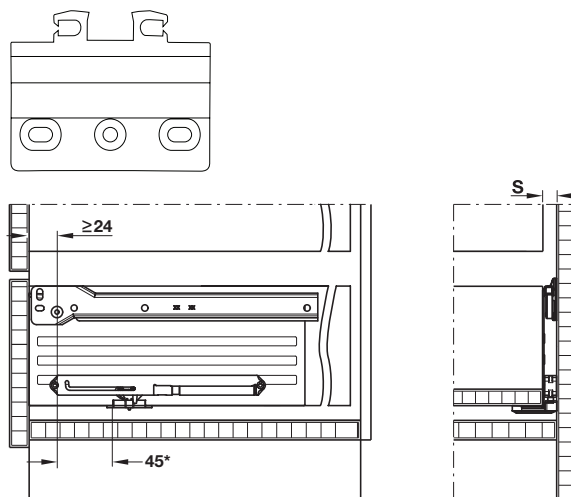


## For timber drawers



Gap S = 12-15 mm \*Dimension to 1st fixing hole.

## For metal drawers



Gap S = 12-15 mm \*Dimension to 1st fixing hole.

- > Load capacity (kg): 25 with one side mounted  
50 with both sides mounted
- > Material: Plastic
- > Finish: Light grey and white
- > Mounting: One or both sides

MADE IN CHINA



9 329184 005252