

# HardieFlex™ sheet in eaves lining sizes



## What is it?

A smooth, flat sheet that is produced in widths specifically made for eaves. It is site-painted to create a flat panel look.

## Where do you use it?

It's specifically designed to line eaves and soffits in residential single and medium-density homes, including alterations and additions, where a flat panel look is required. It can be used on either timber or light gauge steel framed homes.

## What are the key benefits?

**AFFORDABILITY.** The speed at which the pre-cut sheets can be joined and installed makes them a cost-effective solution to the often difficult task of fixing eaves.

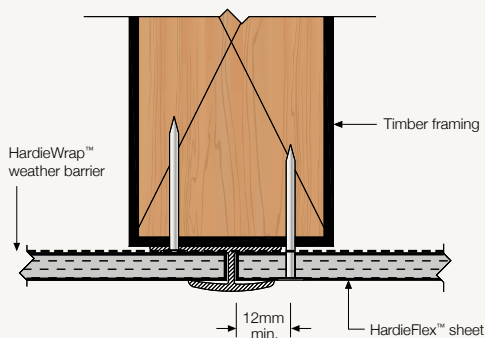
**FAST INSTALLATION.** The combination of the James Hardie™ PVC Straight Jointer and the wide variety of sheet sizes pre-cut specifically for eaves makes it easy and fast to install by tradespeople, owner-builders and renovators.

**SECURITY.** Made from James Hardie fibre cement, HardieFlex sheet is non-combustible, making it ideal for use in homes built within bushfire-prone areas because it provides additional protection against the ingress of burning embers.\* HardieFlex sheet is resistant to damage from termites, rot and fire.\*\*



Closeup with batten

PVC straight jointer fixed to timber framing



## What are the sizes?

Product code	Length (mm)	Width (mm)	Thickness (mm)	Mass (kg/m <sup>2</sup> )
400393	2,400	450	4.5	6.72
400392	2,400	600	4.5	6.72
400391	2,400	750	4.5	6.72
400389	2,400	600	6	8.69

Selling units per pack: 60 sheets or 30 sheets

## What are the accessories?

Accessory	Code	Page
HardieBlade™ Saw Blade 185mm	300660	51
HardieBlade™ Saw Blade 254mm	303375	51
James Hardie™ Fibreshears	300653	53
James Hardie™ PVC Eave and Soffit Jointer for use with 4.5mm thick sheets	305506	54
James Hardie™ PVC Eave and Soffit Jointer for use with 6mm thick sheets	305432	54
James Hardie™ PVC Straight Jointer 2,400mm x 4.5mm	305538	55
James Hardie™ PVC Straight Jointer 3,000mm x 4.5mm	305541	55
James Hardie™ PVC Straight Jointer 3,000mm x 6.0mm	305546	55
James Hardie™ Score and Snap Knife	305576	55

**Note** All dimensions and masses provided are approximate only and subject to manufacturing tolerances. Masses are based on equilibrium moisture content of product.

\* Refer to the relevant council and code for suitability as well as the James Hardie Construction of buildings in Bushfire Prone Areas Technical Supplement.

\*\* When installed and maintained correctly and to the extent set out in James Hardie's published literature current at the time of installation.