

# DINAS6SLK and DINAS6SRK

Exclusive to:



### Model Code

DINAS6SLK - left hand bowl  
DINAS6SRK - right hand bowl

### Fineline Code

0038521 - left hand bowl  
0038522 - right hand bowl

### Description

1 1/4, single drainer sink with 24 litre main bowl and 6 litre secondary bowl capacity

### Warranty

30 Years Warranty

### Features

Engineered in Germany

18/10 Surgical Grade Stainless Steel

24L capacity main bowl

Seal and fixing clips

Designer wastes

Rear waste position

### Benefits

Over 90 years of Stainless Steel know-how make Blanco one of the world leaders in sink manufacturing, which translates to superior products for your home.

Engineered from surgical grade stainless steel and with Blanco's brushed finish, this sink is the ultimate food preparation area.

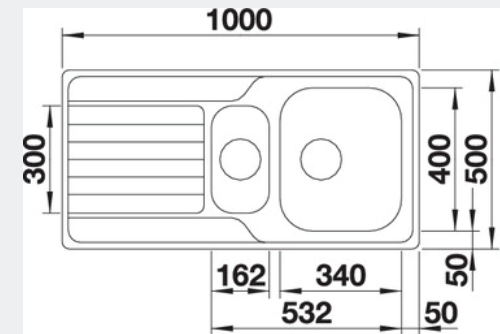
Accommodates the largest of baking trays, woks and other bulky kitchen utensils.

Increases your storage space below the sink

No additional costs after purchase

No additional costs after purchase

## Specifications



Method of Installation:	Inset
Cabinet Size:	60cm
Overall Dimensions:	1000w X 500d mm
Inset Cut-out:	980w x 480d mm (refer to CAD drawing on the website for corner radii)
Bowl Depth:	180mm main bowl and 140mm secondary bowl
Main Bowl Capacity:	24 Litres
Secondary Bowl Capacity:	6 Litres
Standard Inclusions:	Designer Wastes
Optional Accessories:	JAGCB, BUCRBSS, CAPFLOW
Mounting hole:	Ø35 mm tap hole required
Warranty:	30 years

Note: Measurements are within 2 - 3mm of factory tolerance. It is advisable to check dimensions of physical product when measuring for installations and before doing any cut outs.

\*Due to continual product development the information provided is not final and may be subject to change.