

# veneer installation options

## Suggested rear fixing products for use with **expression** series & **easyvener** panels

Please note the products highlighted below are suggestions only, for consideration. Easycraft do not supply any installation accessories with panels.

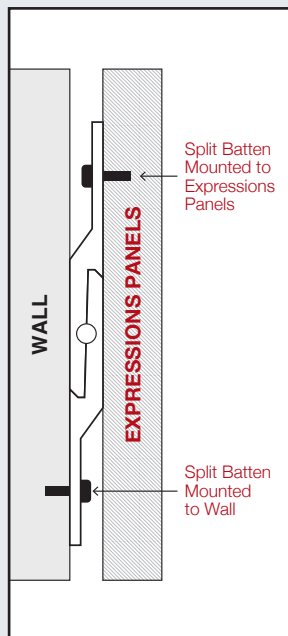
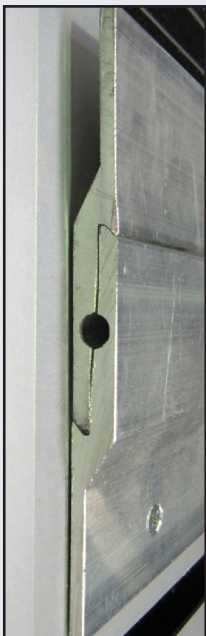
### Striplox

[www.joinlox.com/wp-content/uploads/2017/03/STRIPLOX-Brochure-March-SINGLES-V-10-Final-Low-Res-16-03-17.pdf](http://www.joinlox.com/wp-content/uploads/2017/03/STRIPLOX-Brochure-March-SINGLES-V-10-Final-Low-Res-16-03-17.pdf)



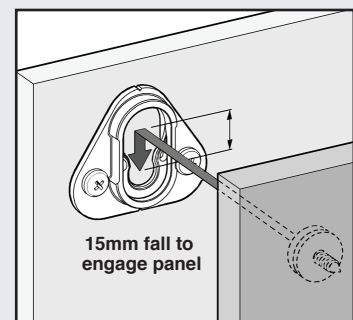
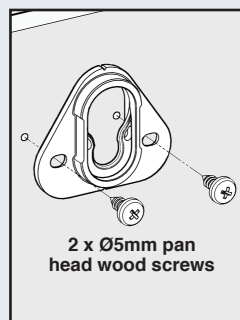
### Split Batten

[www.criterionindustries.com.au/products/aluminium-skirting-geometrics/geometrics/split-batten/split-batton.html](http://www.criterionindustries.com.au/products/aluminium-skirting-geometrics/geometrics/split-batten/split-batton.html)



### Button Fix

[www.lincolnsentry.com.au/button-fix-hidden-fixing-for-wall-panels](http://www.lincolnsentry.com.au/button-fix-hidden-fixing-for-wall-panels)



### Disclaimer:

Product manufactured and supplied by Easycraft Australia Pty Ltd does not include any fixing or installation accessories. The information provided (above) are systems that are available by other manufacturers to use as a blind/secret fixing, for wall and ceiling panel applications. Easycraft offer no Warranty on any installation product used and all care should be taken when hanging boards to ensure framing and installation systems are capable and suitable for the total weight of boards being installed.