

AEG

ALM18B
ALM18BS6

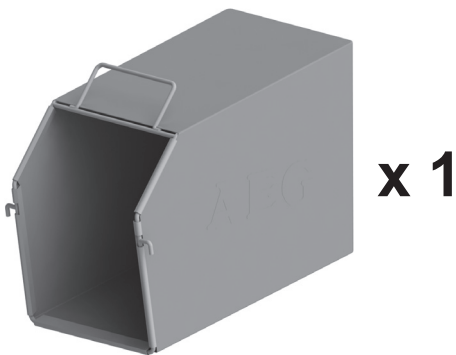
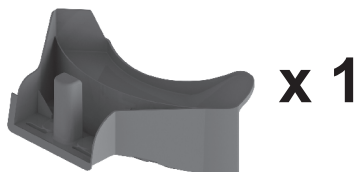
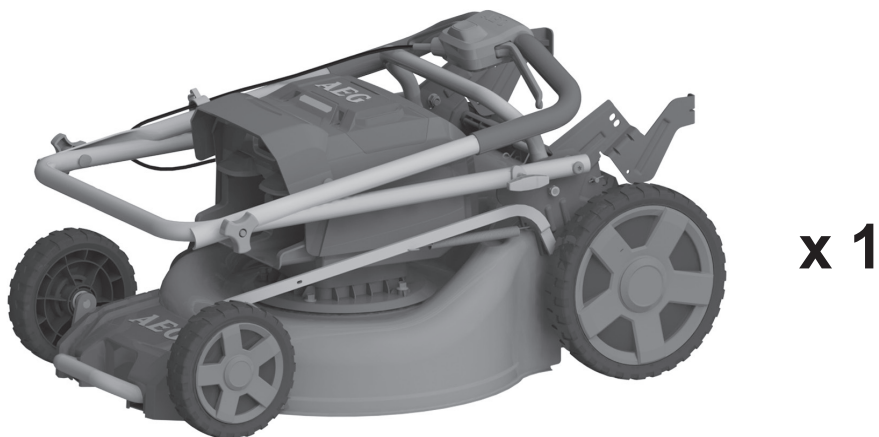
Original instructions

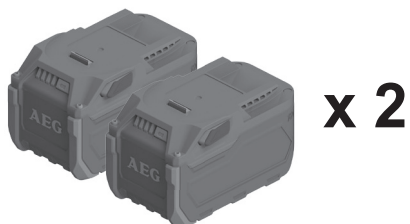
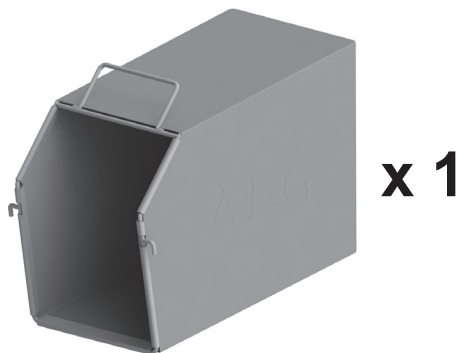
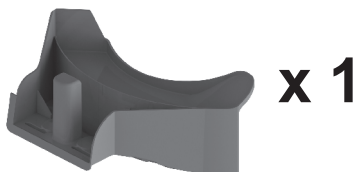
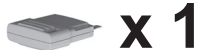
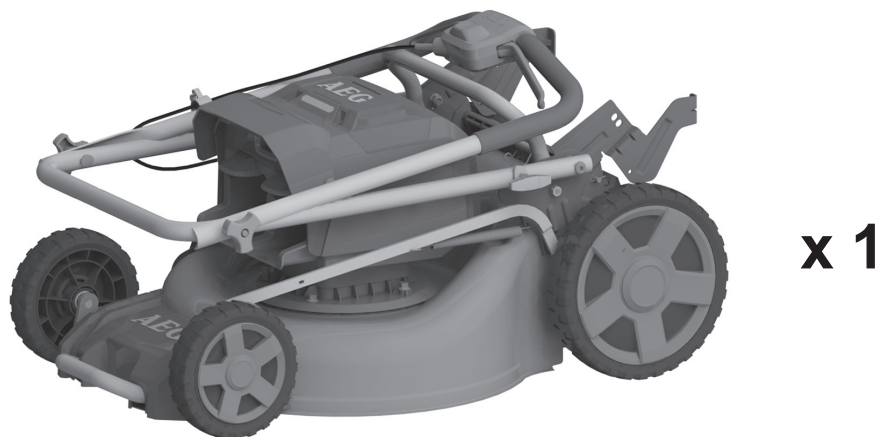
Important!

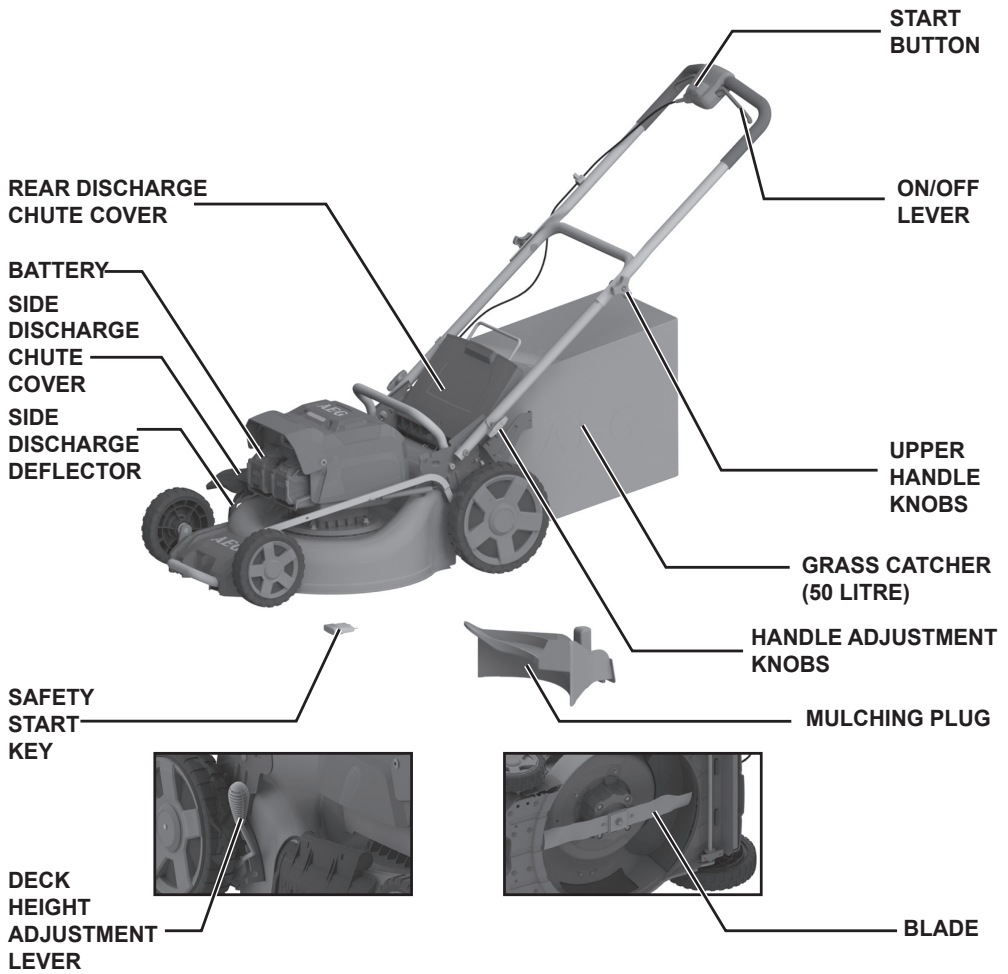
It is essential that you read the instructions in this manual before assembling, operating, and maintaining the product.

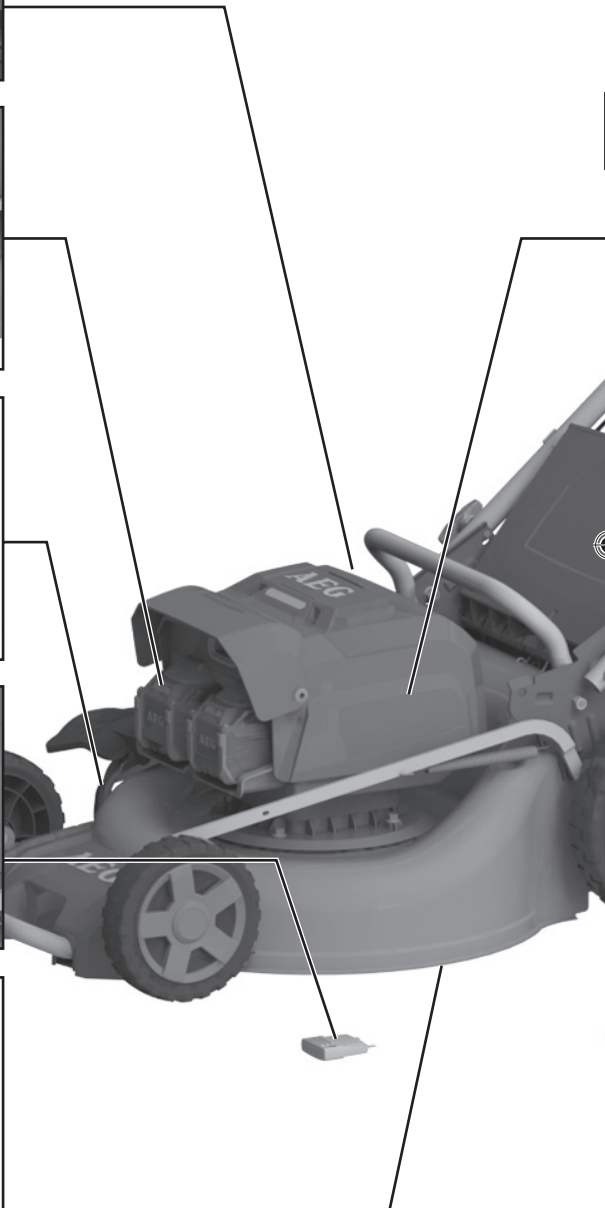
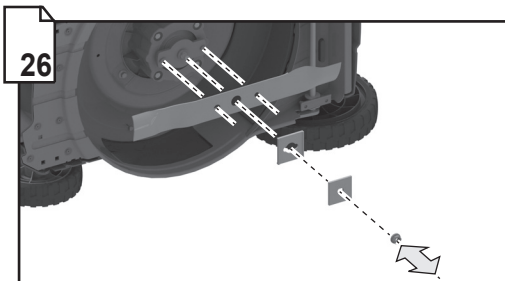
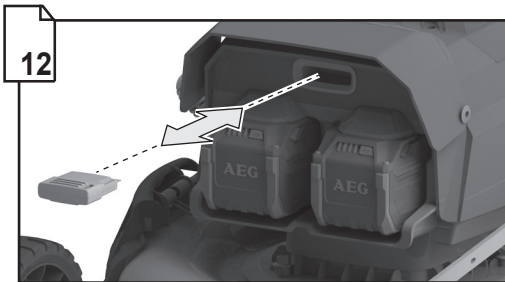
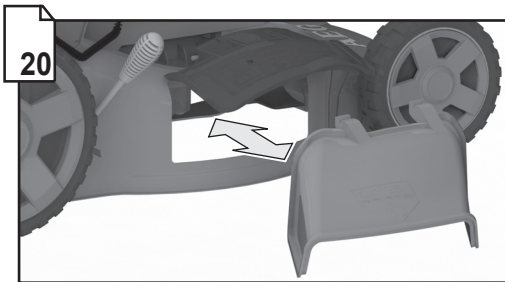
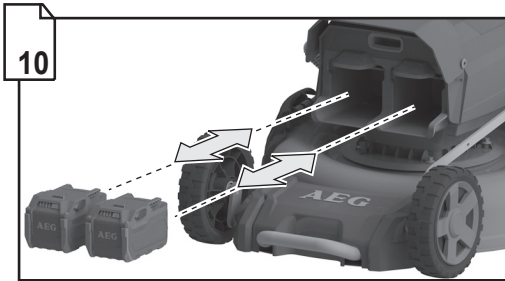
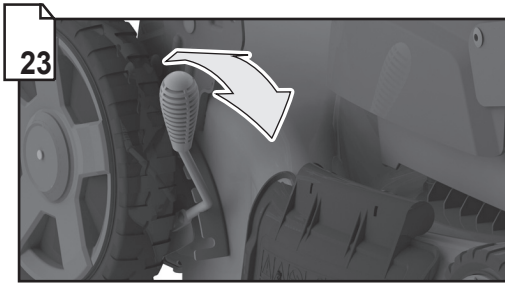
Subject to technical modifications.

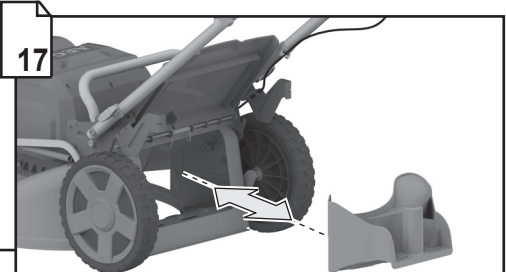
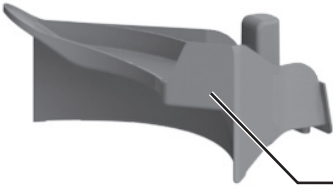
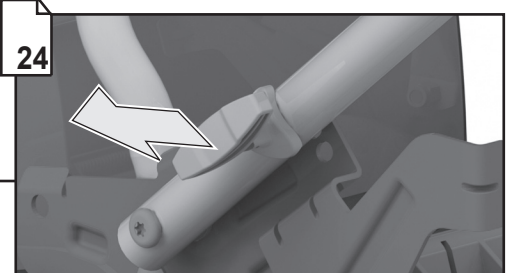
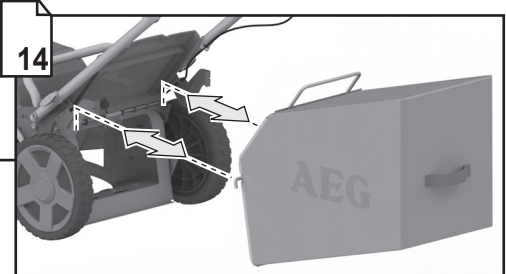
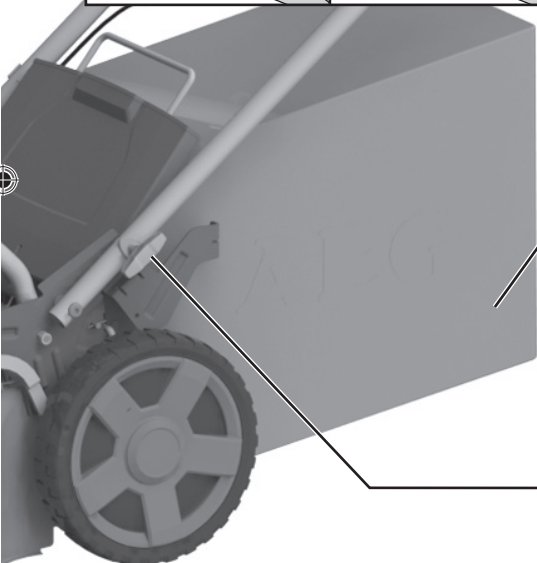
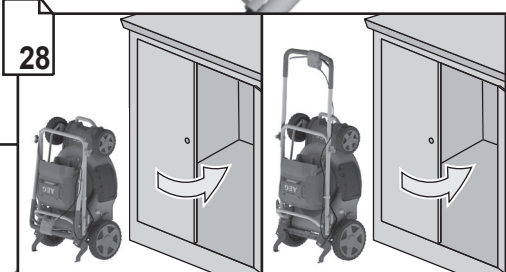
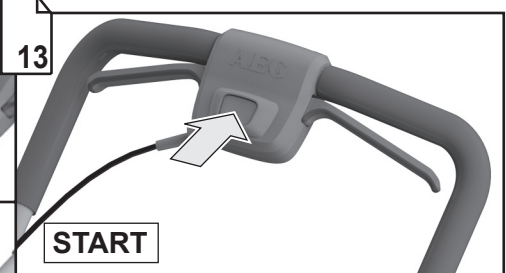
ALM18B

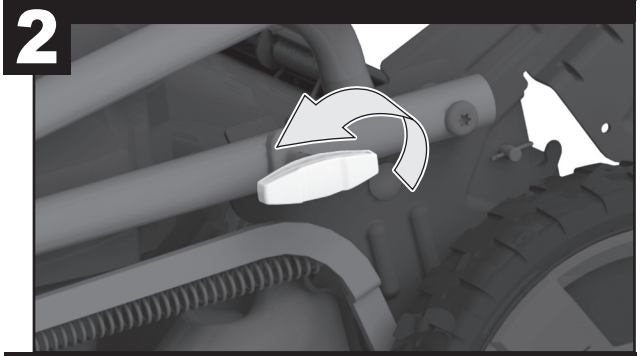
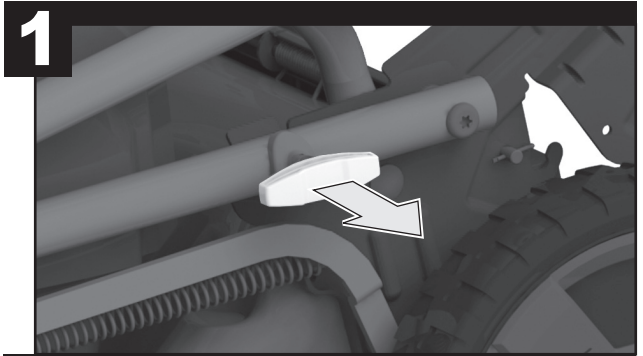




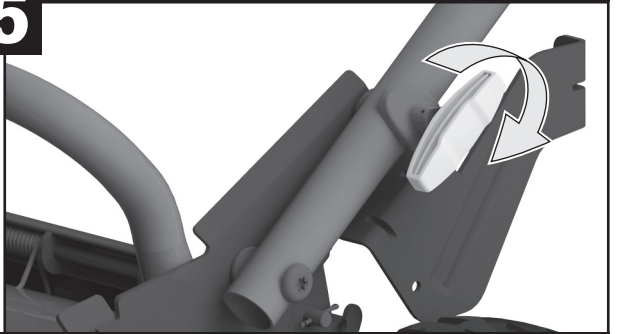




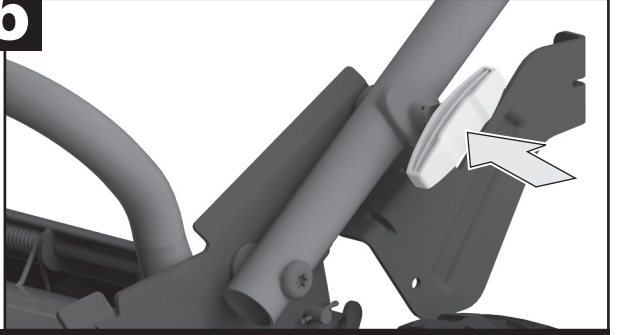




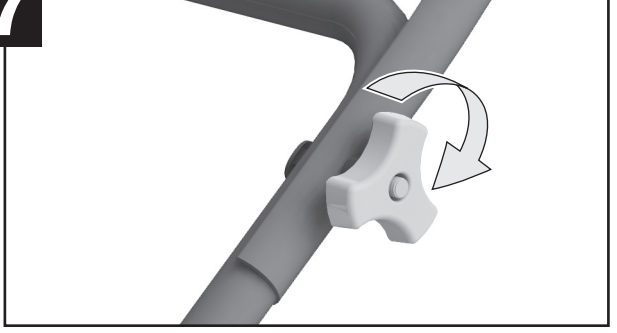
5

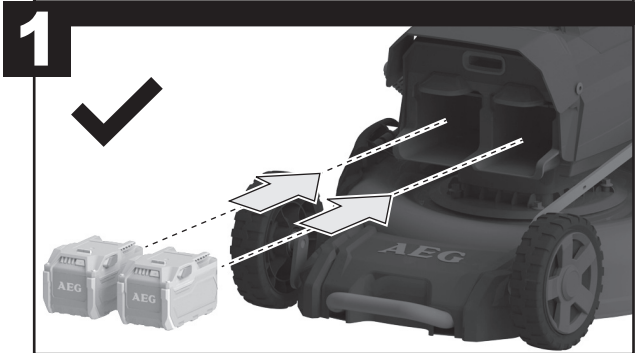
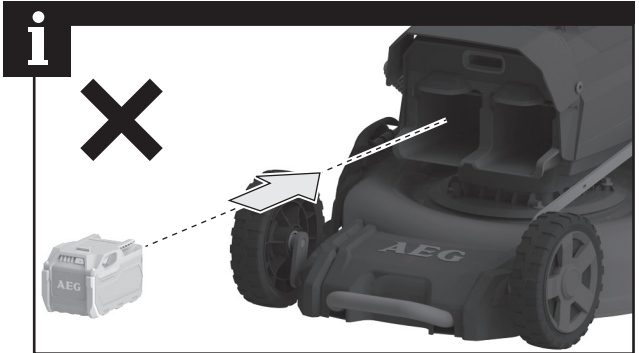
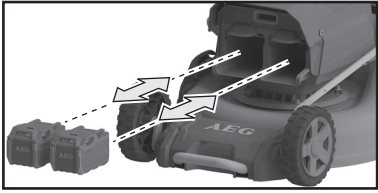


6

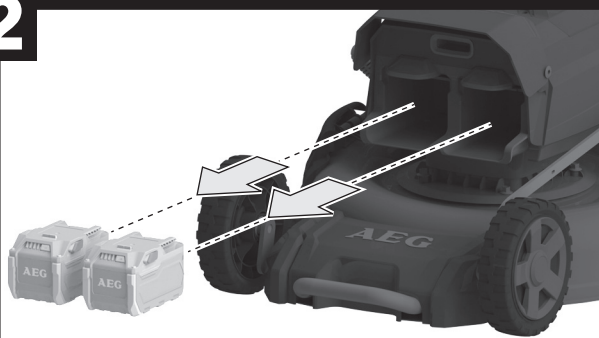


7

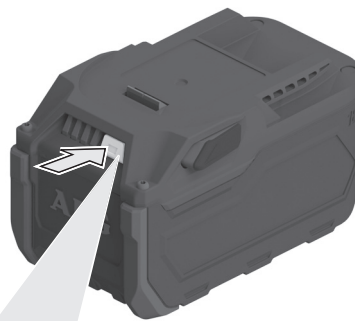




2



i



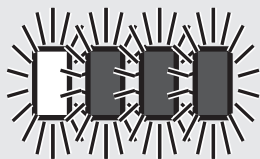
75-100 %



50-75 %

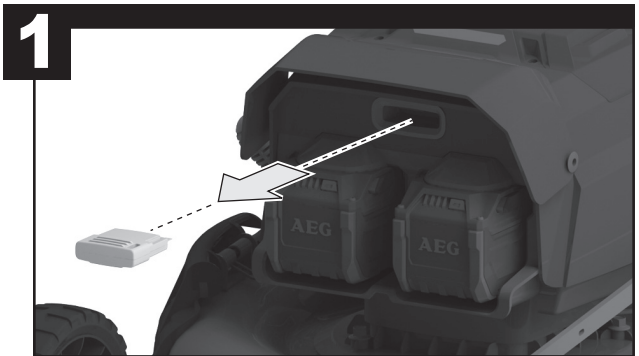
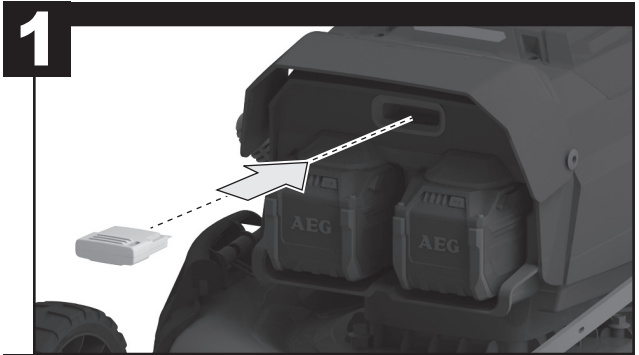
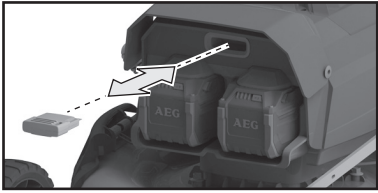


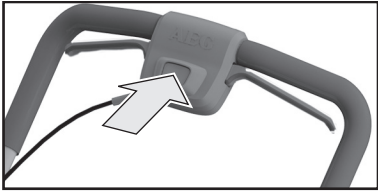
25-50 %



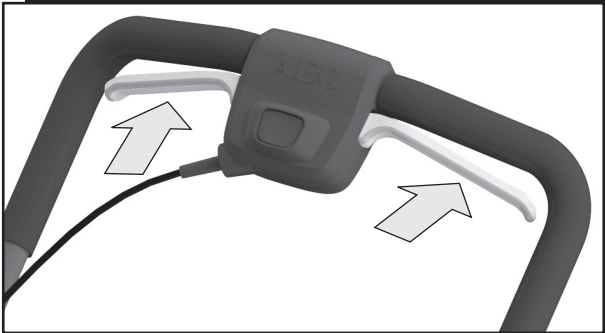
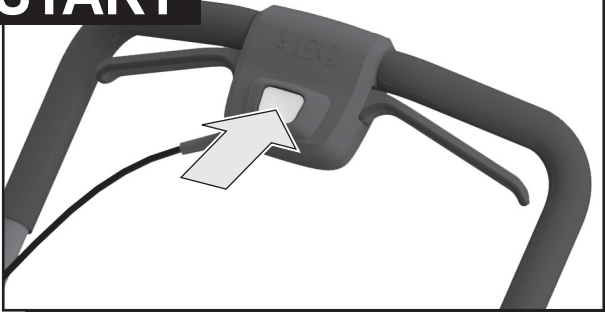
0-25 %



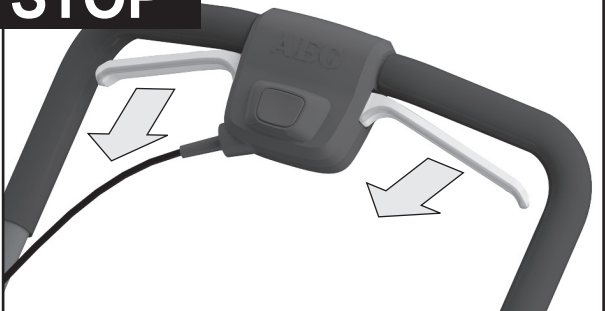


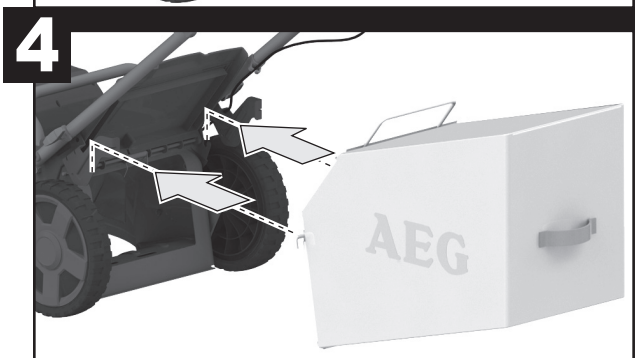
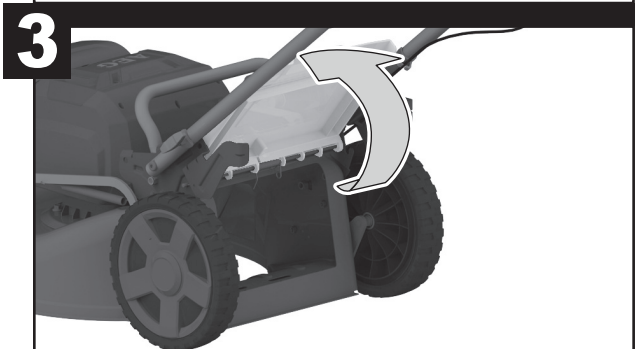
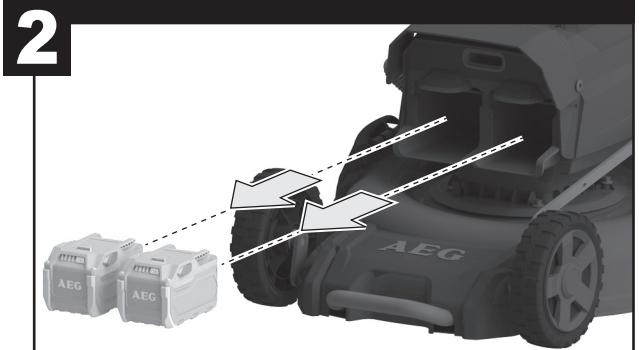
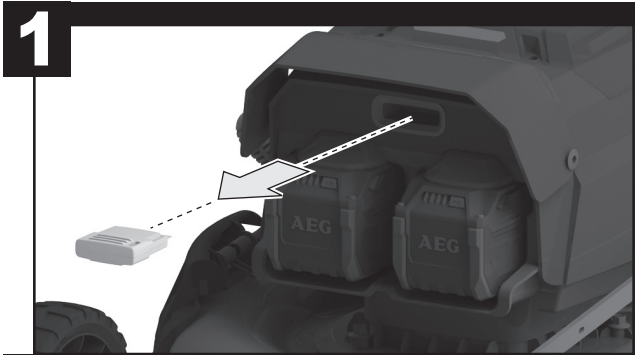
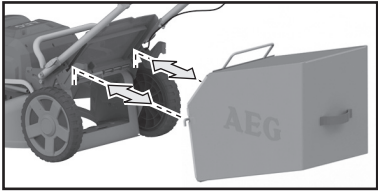


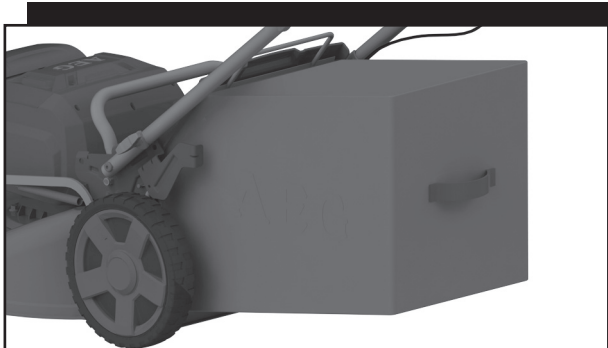
START



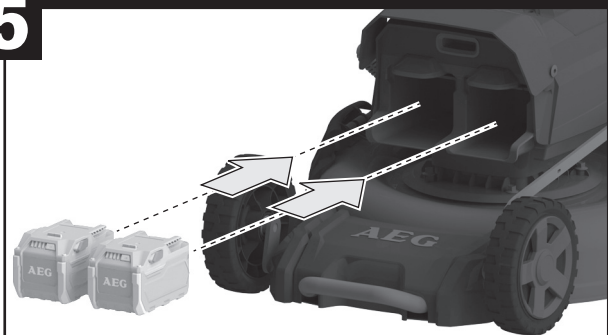
STOP



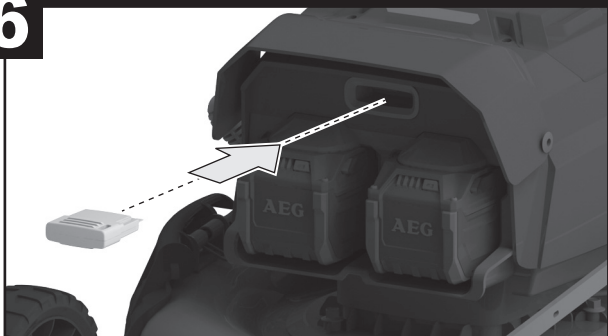




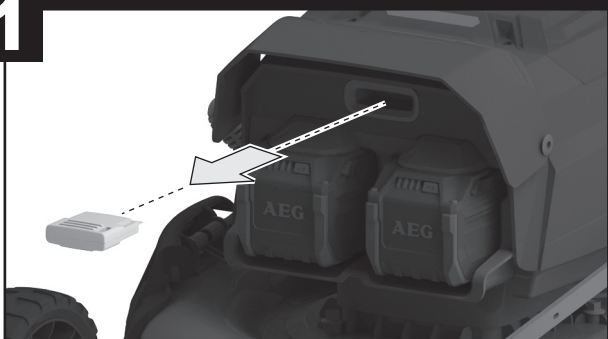
5



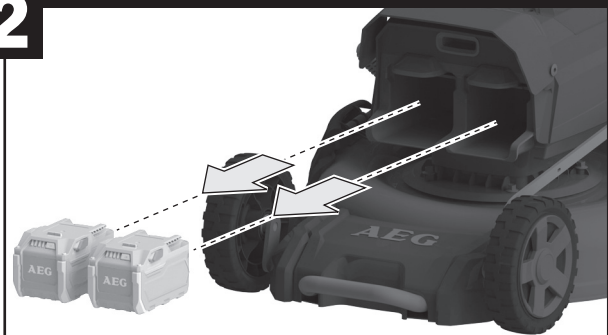
6



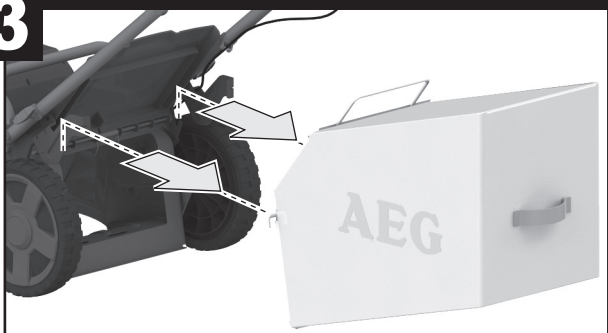
1



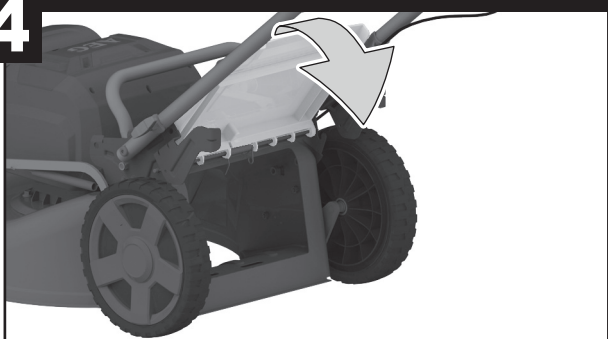
2

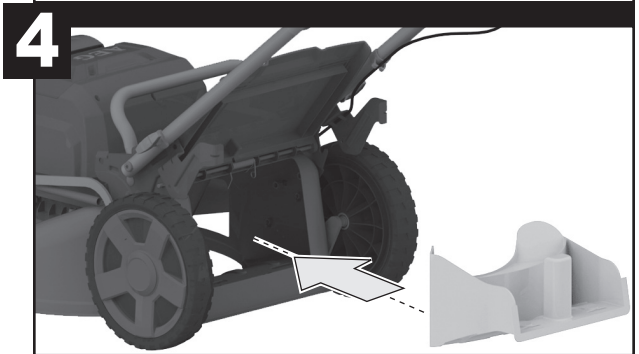
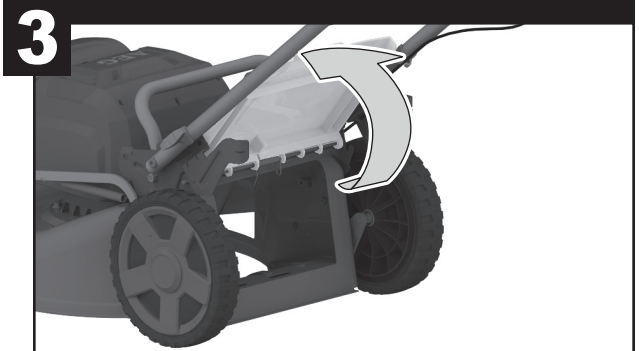
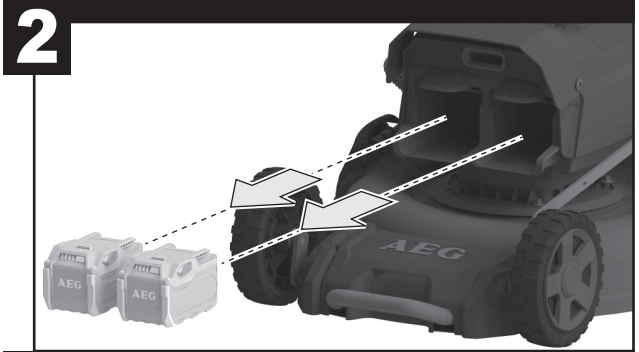
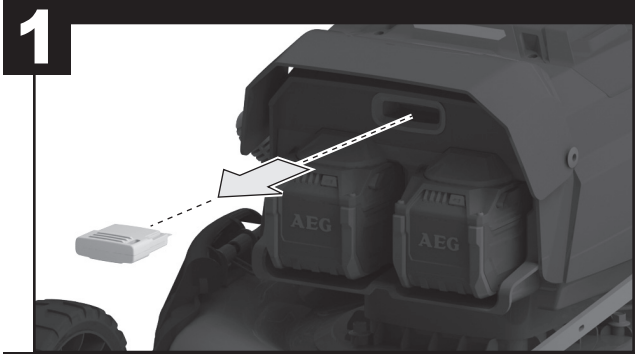
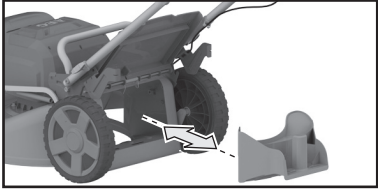


3



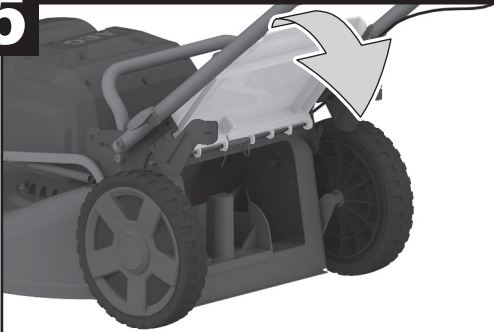
4



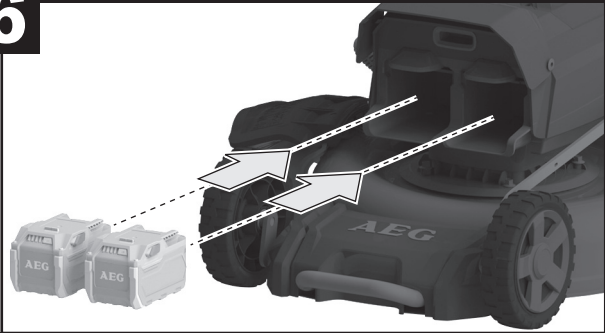




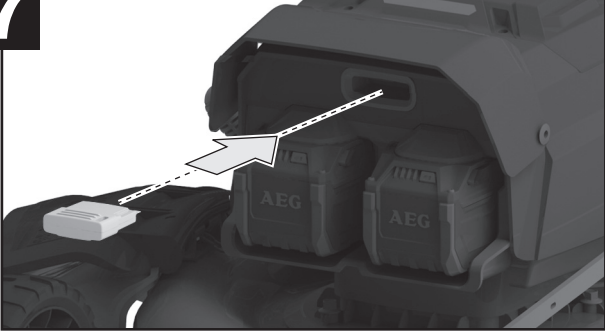
5



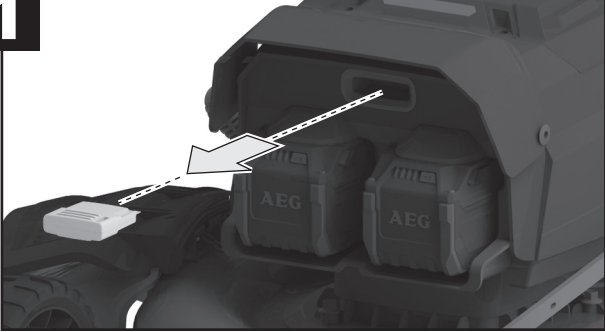
6

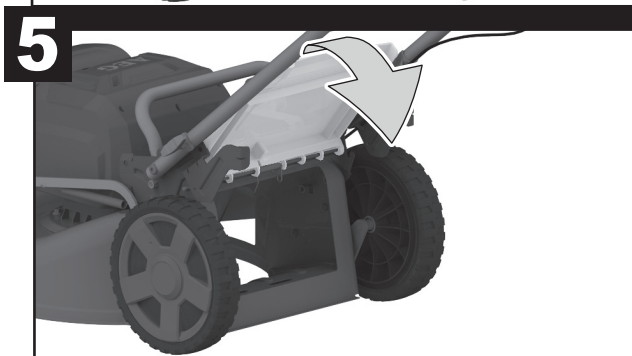
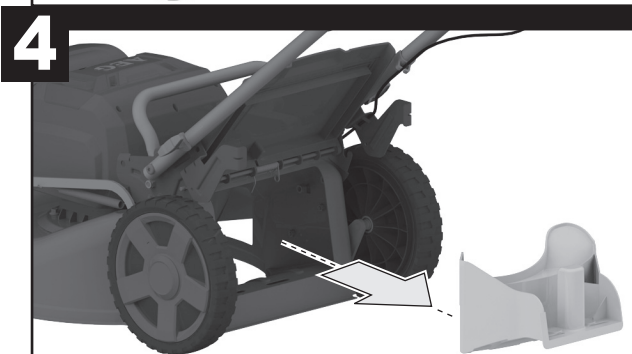
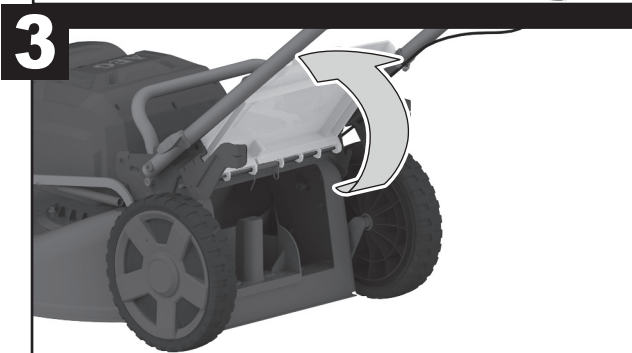
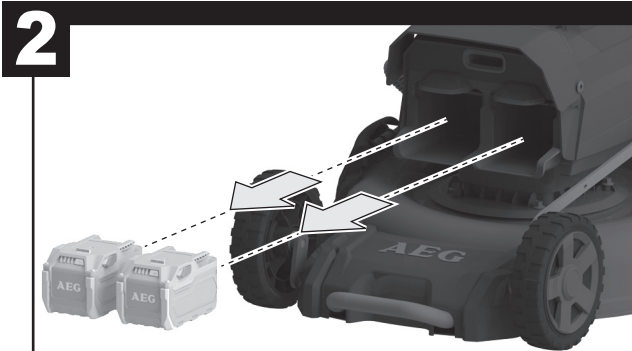


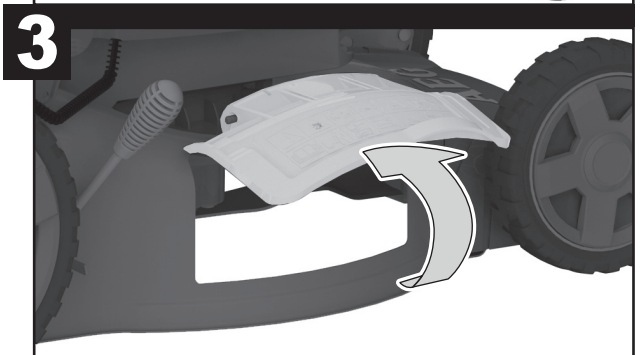
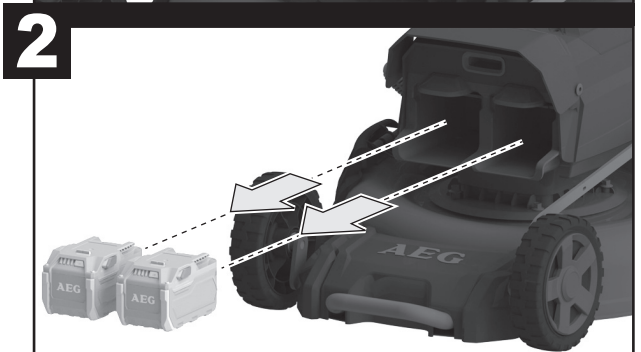
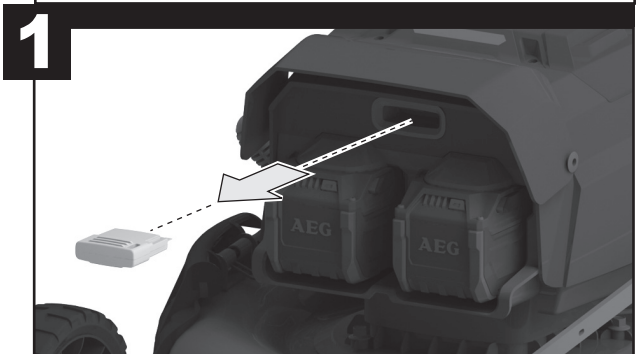
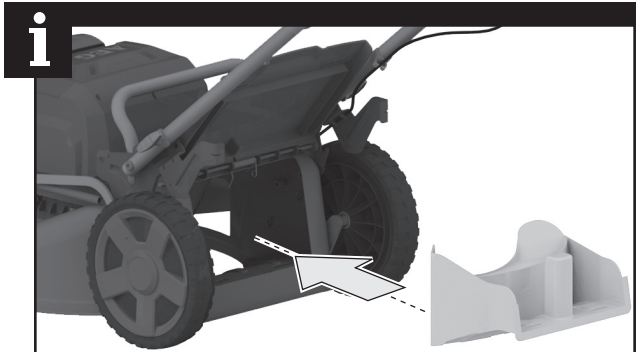
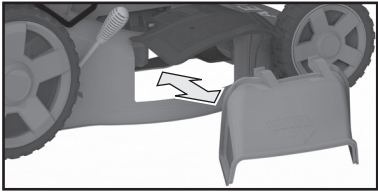
7



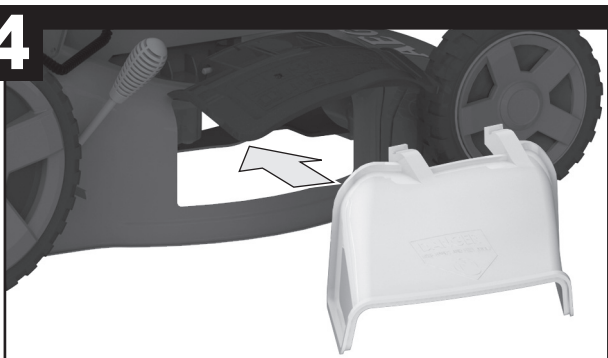
1



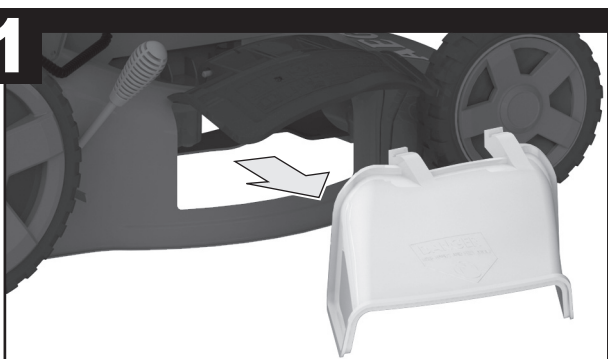




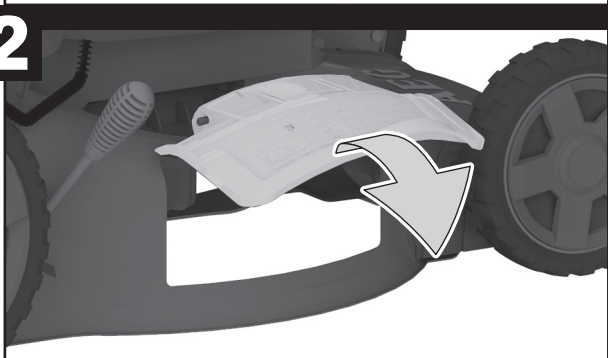
4



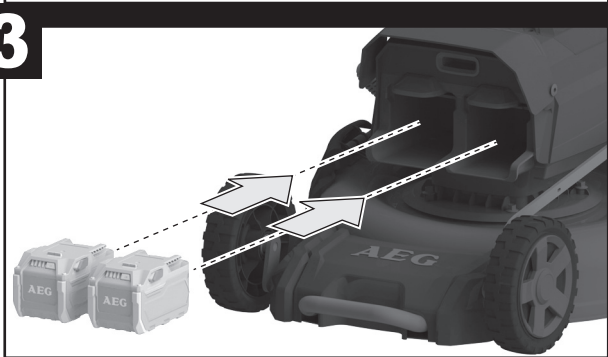
1



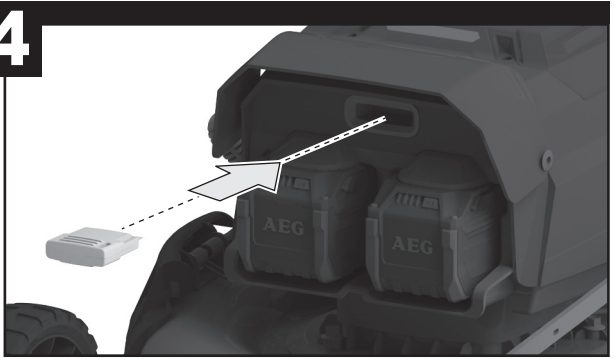
2

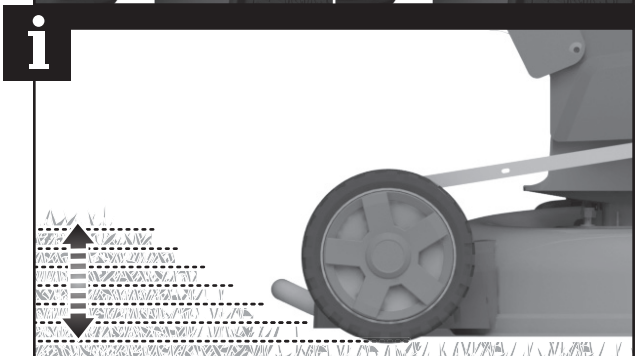
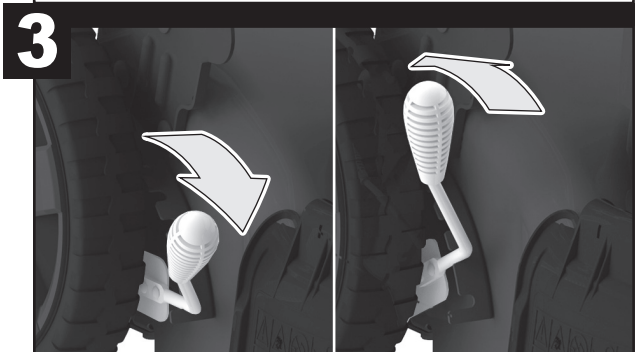
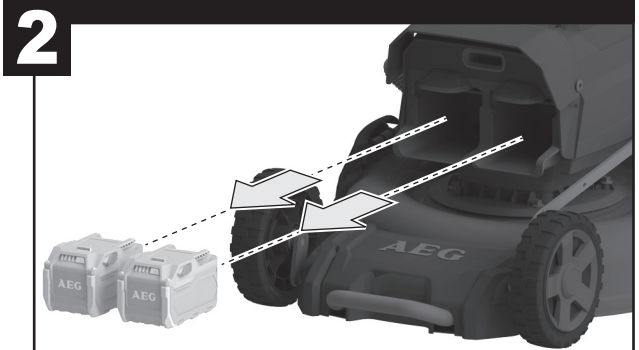
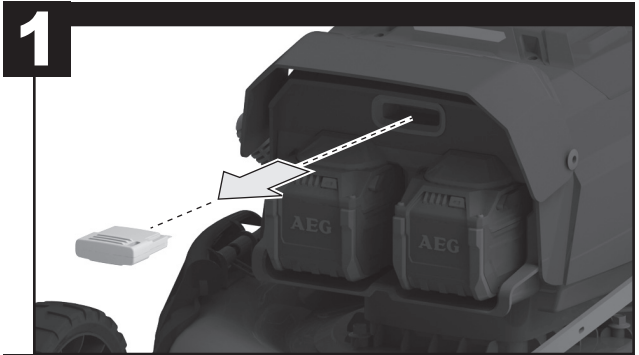
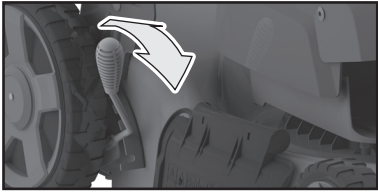


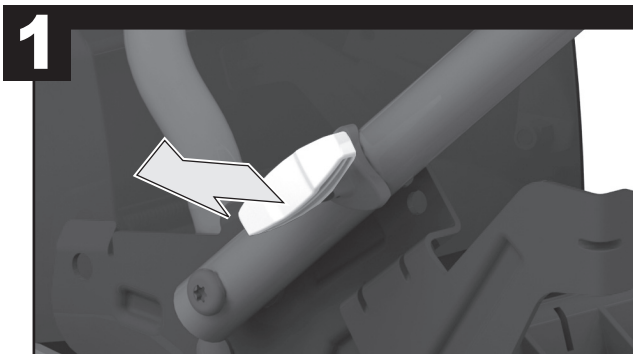
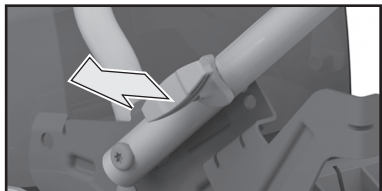
3



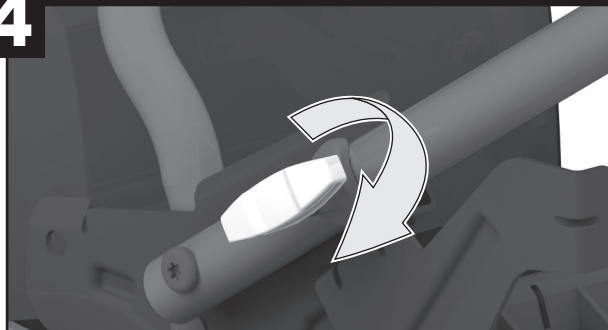
4



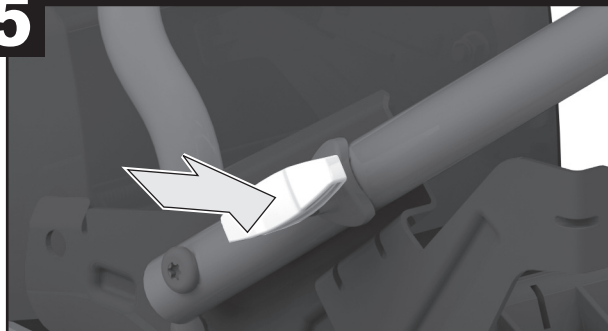




4

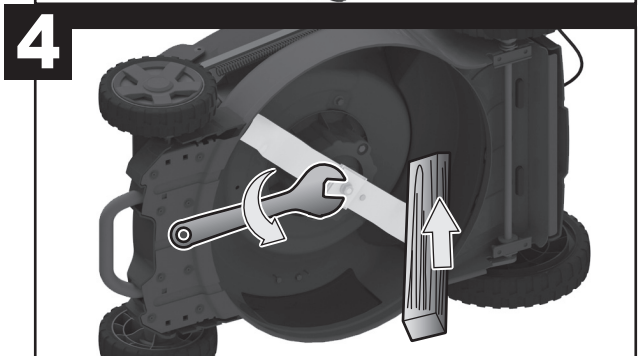
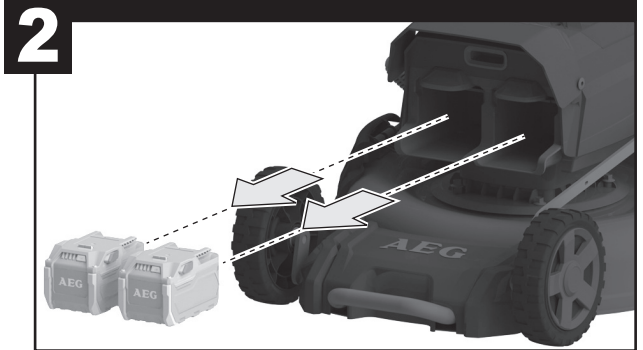
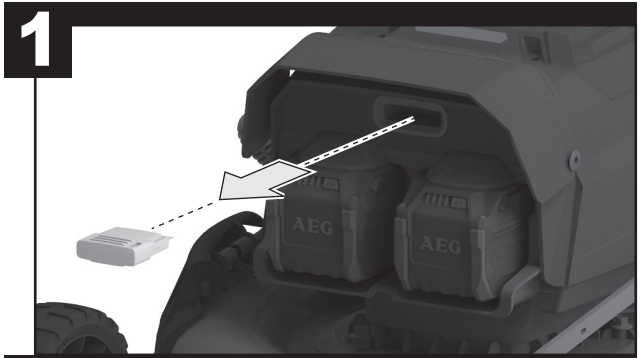
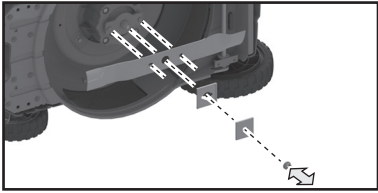


5

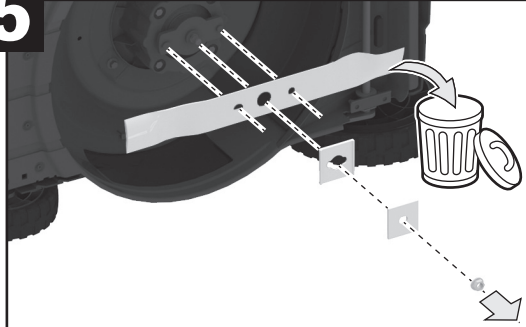


i

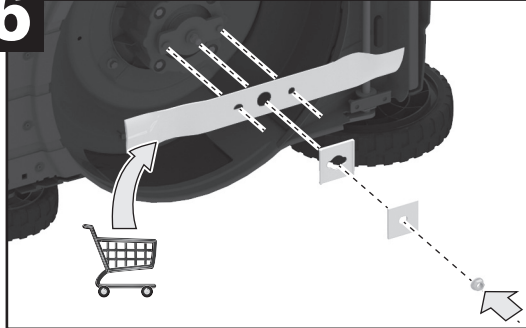




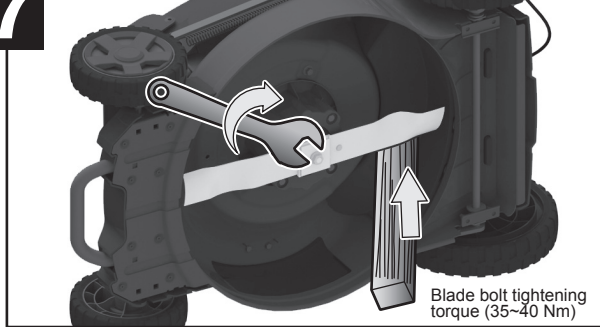
5



6

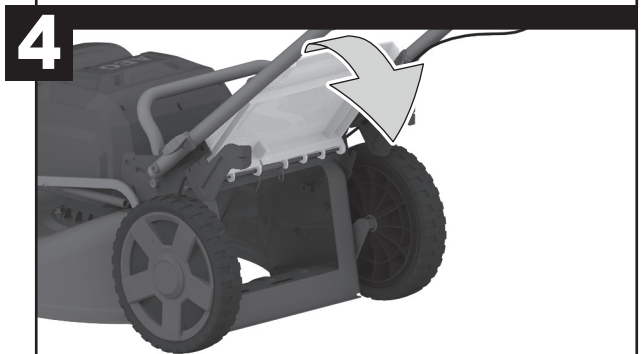
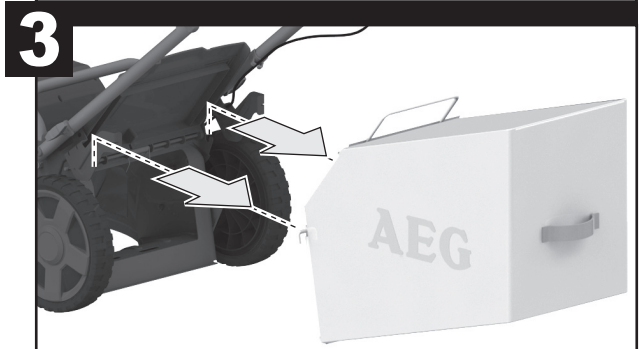
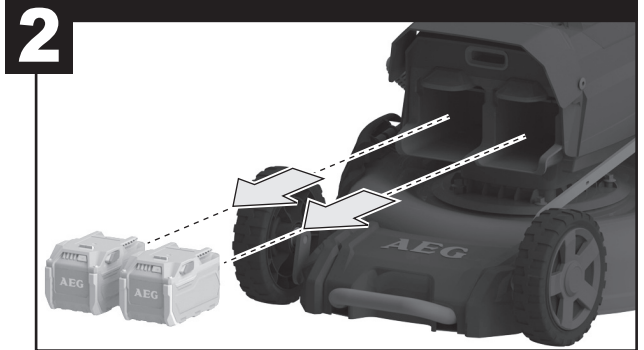
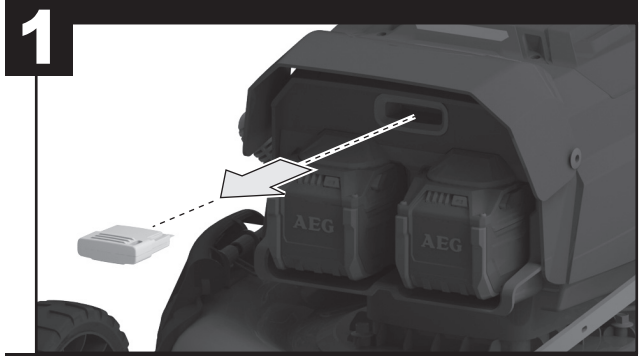


7

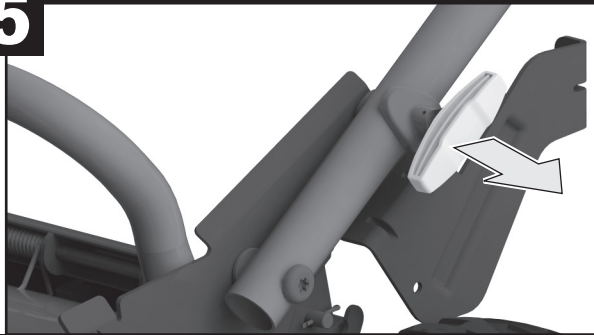


8

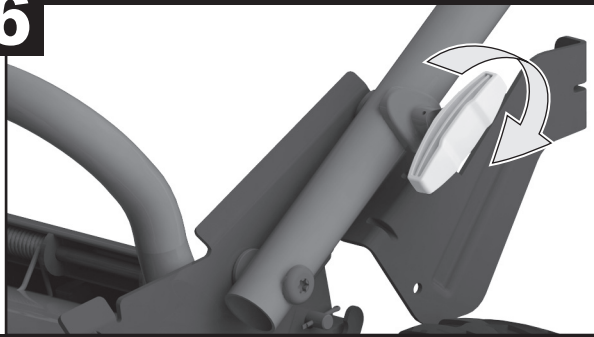




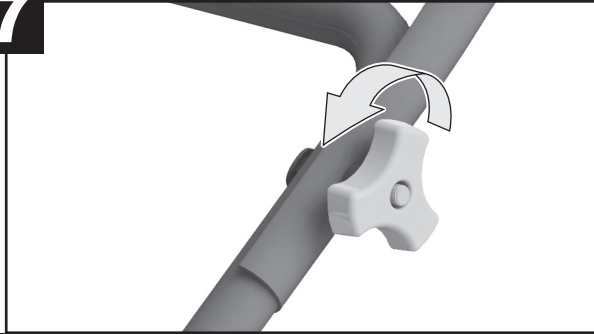
5



6



7



8

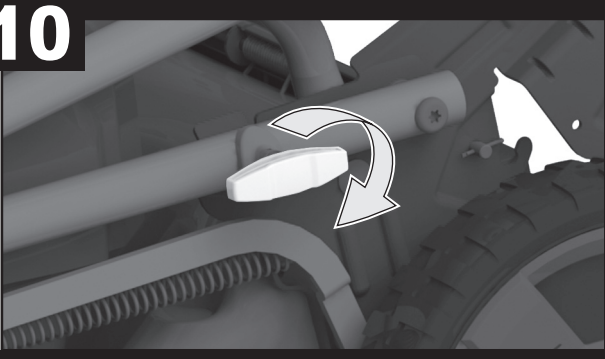




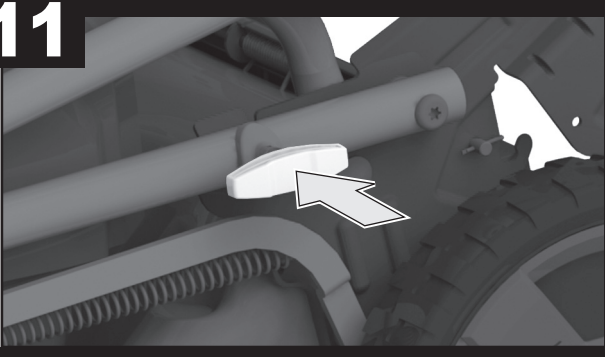
9



10



11



12



T
T
b
it
n
to
T
g
c

Z
fr
th
ir
Z
b
p
le
F
T



TECHNICAL DATA CORDLESS LAWN MOWER

ALM18B/ALM18BS6

Rated voltage	36 V DC
Ingress protection	IPX1
Width of cut	46 cm
Height of cut	18 - 75 mm
Rated input	800 W
No load speed	2900/min
Weight (without battery and charger)	25.5 kg
Grass catcher capacity	50 L
Blade bolt tightening torque	35~40 Nm
Vibration level	
(in accordance with Annex FF of EN 60335-2-77)	
Handle	0.4 m/s ²
Uncertainty of measurement	1.5 m/s ²
Noise emission level	
(in accordance with Annex GG of EN 60335-2-77)	
A-Weighted sound pressure level at operator's position	81.3 dB(A)
Uncertainty of measurement	2.3 dB
A-Weighted sound power level	94.9 dB(A)
Uncertainty of measurement	1.0 dB

BATTERY AND CHARGER

	ALM18B	ALM18BS6
Battery pack	Not included	L1860R-X5
Charger	Not included	BL1218
Compatible battery packs	L1815G, L1815R, L1820R, L1825R, L1830R, L1840R, L1850R, L1850R-X5, L1860B, L1860R, L1860R-X5, L1890R, L1890R-X5	
Compatible chargers	BL1218, AL1218G, BLK1218, BL18DP, BL18DP2-X5	

REPLACEMENT PART

Blade	AAC4002 (682262)
-------------	------------------

INTENDED USE

The cordless lawn mower is only intended for use outdoors.
 The product is designed for domestic lawn mowing. The cutting blade should rotate approximately parallel to the ground over which it is being wheeled. All four wheels should touch the ground while mowing. It is a pedestrian-controlled walk-behind mower designed to be pushed by hand.
 The mower should never be operated with the wheels off the ground; it should not be pulled or ridden on. It should not be used to cut anything other than domestic grass lawns.

GENERAL SAFETY WARNINGS

⚠ WARNING! When using the product, the safety rules must be followed. For your own safety and that of bystanders, please read these instructions before operating the product. Please keep the instructions safe for later use.
⚠ WARNING! The product should only be operated with the battery pack. When using battery operated product, basic safety precautions should always be followed to reduce the risk of fire, leaking batteries and personal injury.

PERSONAL SAFETY

The product is capable of amputating hands and feet, and

throwing objects. Failure to observe all safety instructions could result in serious injury or death.
Read and understand the instructions and safety warnings. Be familiar with the controls and the correct use of the product.
Never allow children or people with reduced physical, sensory or mental capabilities, or people unfamiliar with these instructions, to operate, clean or maintain the product. Local regulations may restrict the age of the operator. Children should be adequately supervised to ensure they do not play with the product.
Stay alert, watch what you are doing, and use common sense when operating the product. Do not operate the product while tired or under the influence of drugs, alcohol, or medication. A lapse in concentration while operating the product may result in serious personal injury.
Wear heavy, long trousers, long sleeves, and sturdy anti-slip footwear. Do not wear short trousers, sandals, or go barefoot. Avoid wearing clothing that is loose fitting or that has hanging cords or ties.
Always wear safety glasses with side shields.
Always be sure of your footing. Keep firm footing and balance. Walk, never run.
Always be sure of your footing on slopes.
Use the product across the face of slopes, never up and down. Exercise extreme caution when changing direction on slopes.





Do not use the product near drop-offs, ditches, excessively steep slopes, or embankments. Poor footing could cause a slip-and-fall accident.

WORK AREA SAFETY

Never use product while people, especially children, or pets are within 15 m because of the danger of objects being thrown by contact with the blade.

Objects struck by the lawn mower blade can cause severe injuries to persons. Thoroughly inspect the area where the product is to be used and remove all rocks, sticks, metal, wire, bones, toys, or other foreign objects. Remember, string or wire may entangle with the cutting means.

Always use the product in the daylight or with good artificial light.

Do not operate the product in explosive atmospheres, such as in the presence of flammable liquids, gases, or dust. The product creates sparks which may ignite the dust or fumes.

Do not operate the product in wet grass or in the rain.

Do not use the product when there is a risk of lightning.

Keep in mind that the operator or user is responsible for accidents or hazards occurring to other people or their property.

Tragic accidents can occur if the operator is not alert to the presence of children. Children are often attracted to the product and the mowing activity. Never assume that children will remain where you last saw them.

Keep children out of the mowing area and under the watchful care of a responsible adult other than the operator, be alert and turn the product off if a child enters the area.

Use extra care when approaching blind corners, shrubs, trees, or other objects including overhanging shrubs, etc. which may block your view.

BATTERY TOOL USE AND CARE

Read, understand and always follow the safety instructions which came with your battery and charger. Failure to do so may result in electric shock, fire or other hazardous situations. Keep all the instructions together in a safe place for future reference.

Battery-operated products do not have to be plugged into an electrical outlet; therefore, they are always in operating condition. Remove the safety start key whenever you are not operating the product.

Remove the battery pack before making any adjustments, cleaning, or removing material from the product.

Ensure the safety start key is removed before inserting battery pack.

A battery pack must be recharged only with the charger specified by the manufacturer. Using a charger with an incompatible battery pack may create a risk of fire. Use battery pack only with charger listed.

Use only battery pack intended specifically for the product. Use of any other battery packs may result in a risk of fire, electric shock, or injury to persons.

When battery pack is not in use, keep it away from other metal objects like, paper clips, coins, keys, nails, screws, or other small metal objects, that can make a connection from one terminal to another. Shorting the battery pack terminals together may cause sparks, burns, fire, or explosion.

Do not place battery products or their batteries near fire or heat. This increases the risk of explosion and possibly injury.

Do not open or mutilate the battery pack. Released electrolyte is corrosive and may cause damage to the eyes or skin. It may be toxic if swallowed.

Protect the battery pack against moisture and water. Do not charge the product in a damp or wet location. Following this rule will

reduce the risk of electric shock.

In case of damage and improper use of the battery, vapour may be emitted. Provide for fresh air and seek medical help in case of complaints. The vapour can irritate the respiratory system.

Do not leave the battery pack inside a vehicle in hot or cold conditions.

Do not incinerate the battery.

Under abusive conditions, liquid may be ejected from the battery; avoid contact. If contact accidentally occurs, flush with water. If liquid contacts eyes, additionally seek medical help. Liquid ejected from the battery may cause irritation or burns.

LAWN MOWER SAFETY WARNINGS

Before using, always visually inspect to ensure blades, blade bolts, and cutter assembly are not worn or damaged.

Replace worn or damaged blades and bolts in sets to preserve balance.

The blade on this mower is sharp, use extreme caution and wear heavy duty gloves when fitting, replacing, cleaning or checking bolt security.

Bring the product to an authorised service centre to replace damaged or unreadable labels.

Check all nuts, bolts, and screws at frequent intervals for proper tightness to be sure the equipment is in safe working condition.

Check the grass catcher frequently for wear, holes, or deterioration.

Replace worn or damaged parts before operating the product.

The mower must be started with the user behind the handlebars in the operator safety zone. Never start the product if:

- all four wheels are not on the ground
- the grass discharge chute is exposed without being protected by either the mulching plug and grass discharge chute cover, or the grass catcher and grass discharge chute cover
- hands and feet of all persons are not clear of the cutting enclosure

Never operate the product if the on/off switch on the handlebar does not properly start and stop the mower.

Never attempt to lock the on/off switches in the on position, this is extremely dangerous.

Do not force the product. It will do the job better and safer at the speed for which it was designed.

Stop the blade when crossing gravel surfaces.

Do not pull the product backward unless absolutely necessary. If you must back the product away from a wall or obstruction, first look down and behind to avoid tripping or pulling the product over your feet.

Stop the motor and allow the blade to stop if the mower has to be tilted for transportation when crossing surfaces other than grass, and when transporting the product to and from the area to be mowed.

Never use the product with defective guards or shields, or without safety devices, for example, deflectors and/ or grass catcher, in place.

Do not tilt the lawn mower when switching on the motor or while the motor is running. This exposes the blade and increases the probability of objects being thrown.

Switch on the motor carefully according to instructions and keep hands and feet away from cutting area. Keep clear of the discharge opening at all times. Do not start the product when standing in front of the discharge opening.

Do not put hands or feet near or under rotating parts. Keep



clear of the discharge opening at all time.

Never pick up or carry the product while it is running.

Stop the mower motor and remove safety start key, make sure that all moving parts have come to a complete stop:

- whenever you leave the product unattended (including disposal of grass clippings)
- before cleaning a blockage or unclogging discharge chute
- before checking, cleaning or working on the product
- after striking a foreign object; inspect the product for damage and make repairs as necessary before restarting and operating the product
- before removing the grass catcher or opening the grass discharge chute cover

If the product starts to vibrate abnormally (check immediately):

- inspect for damage, particularly the blades
- replace or repair any damaged parts
- check for and tighten any loose parts

Avoid holes, ruts, bumps, rocks, property stakes, or other hidden objects. Uneven terrain could cause a slip-and-fall accident.

Always ensure the motor control cable is never trapped, pinched, or otherwise damaged during assembly or when folding the handle.

ADDITIONAL BATTERY SAFETY WARNINGS

⚠ WARNING! To reduce the risk of fire, personal injury, and product damage due to a short circuit, never immerse your tool, battery pack or charger in fluid or allow a fluid to flow inside them. Corrosive or conductive fluids, such as seawater, certain industrial chemicals, and bleach or bleach-containing products, etc., can cause a short circuit.

OVERLOAD, OVERHEAT, AND TILT PROTECTION

The product has an overload protection device. When overloading is detected, the product will automatically switch off. If the overload protector is actuated, the on-off lever must be released. Press the start button to restart the product.

The product has overheat protection. Excessive temperatures will cause the battery to stop powering the product. Feel the battery pack; if it is too warm, allow it to cool down before resuming operation. If the product still does not work, recharge the battery.

NOTE: The battery pack LED indicator will not work if the battery protection feature has caused the battery pack to stop powering the product. Release the on-off lever or remove the battery pack from the product and the battery pack LED indicator will resume normal function.

The product also has a tilt protection function. If the product is tilted beyond 40°, for about 7 seconds, the product will stop. The product will not function if the tilt angle limit is exceeded or if the product is in the vertical storage position.

RESIDUAL RISKS

Even when the product is used as prescribed, it is still impossible to completely eliminate certain residual risk factors. The following hazards may arise in use and the operator should pay special attention to avoid the following:

- Injury caused by vibration. Always use the right tool for the

job. Use designated handles and restrict working time and exposure.

- Exposure to noise can cause hearing injury. Wear ear protection and limit exposure.
- Contact with the blades.
- Injury from thrown objects.

RISK REDUCTION

It has been reported that vibrations from handheld tools may contribute to a condition called Raynaud's Syndrome. Symptoms may include tingling, numbness, and blanching of the fingers, usually apparent upon exposure to cold. Hereditary factors, exposure to cold and dampness, diet, smoking, and work practices are all thought to contribute to the development of these symptoms. There are measures that can be taken by the operator to possibly reduce the effects of vibration:

- Keep your body warm in cold weather. When operating the product wear gloves to keep the hands and wrists warm.
- After each period of operation, exercise to increase blood circulation.
- Take frequent work breaks. Limit the amount of exposure per day.
- If you experience any of the symptoms of this condition, immediately discontinue use and see your doctor.

⚠ WARNING! Injuries may be caused, or aggravated, by prolonged use of a tool. When using any tool for prolonged periods, ensure you take regular breaks.

TRANSPORTATION AND STORAGE

Stop the product, remove the safety start key, and the battery. Make sure that all moving parts have come to a complete stop. Allow the product to cool down before storing or transporting.

Clean all foreign material from the product. Store it in a cool, dry, and well-ventilated place that is inaccessible to children. Keep away from corrosive agents such as garden chemicals and de-icing salts. Do not store outdoors.

For transportation, remove safety start key, secure the product against movement or falling to prevent injury to persons or damage to the product.

⚠ WARNING! Use extreme caution when lifting or tilting the product for maintenance, cleaning, storage, or transportation. The blade is sharp. Keep all body parts away from the blade while it is exposed.

MAINTENANCE

⚠ WARNING! Use only original manufacturer's replacement parts, accessories and attachments. Failure to do so can cause injury, poor performance and may void your warranty.

⚠ WARNING! Servicing requires extreme care and knowledge and should be performed only by a qualified service technician. For service, bring the product to an authorised service centre for repair. When servicing, use only original replacement parts.

Remove the safety start key and the battery before any cleaning or maintenance task.

You may make adjustments and repairs described here. For other repairs, contact the authorised service centre.

Check the grass catcher frequently for wear or deterioration.

After each use, clean the product with a soft dry cloth. Any part that is damaged should be properly repaired or replaced by an authorised service centre.

Check all nuts, bolts and screws at frequent intervals for proper tightness to ensure the product is in safe working condition.

Be careful during adjustment of the product to prevent entrapment of the fingers between moving blades and fixed parts of the product.

When servicing the blades, be aware that even though the power source is switched off, the blades can still be moved.

The blade on the product is sharp. Use extreme caution and wear heavy-duty gloves when fitting, replacing, cleaning, or checking bolt security.

Replace damaged blades and bolts in sets to preserve balance.

CLEARING BLOCKAGES

- Stop the product, remove the safety start key and the battery pack. Make sure that all moving parts have come to a complete stop.
- Always wear heavy-duty gloves when checking or clearing a blockage.
- The blades are sharp and the blockage itself could be a sharp object.
- Remove the grass catcher, check for and carefully clear obstructions.
- Check the grass discharge chute for blockages and carefully clear.
- Turn the product on its side, check its underside, and the area around the blade. If any blockages are found, remove carefully. Remember the blade may move during cleaning.

SYMBOLS



Read and understand all instructions before operating the product, follow all warnings and safety instructions.



Wear ear protection.



Wear eye protection.



Do not operate on inclines greater than 15°. Mow across the face of slopes, never up and down.



Remove spark plug lead before maintenance.
NOTE: This icon applies only for petrol lawn mower.



Do not expose to rain or damp condition.



Beware of thrown or flying objects. Keep all bystanders, especially children and pets, at least 15m away from the operating area.



Do not operate on inclines greater than 15°. Mow across the face of slopes, never up and down.



To prevent serious injury, do not touch the cutting blades.



Use the appropriate tools for maintenance to prevent serious injuries.
Keep hands away from blade.



Always stop the product before cleaning the work place.
Keep children out of the mowing area and under the watchful care of a responsible adult other than the operator.



Beware of sharp blades. Blades continue to rotate after the motor is switched off – Remove the safety start key before maintenance.



To prevent serious injury, keep hands and feet away.



To turn on product:

1. Press the start button.
2. Press and hold the paddle switch.



Always remove the battery pack from the product before cleaning, doing maintenance, or leaving the product unattended.



Class II tool, double insulation.



Regulatory Compliance Mark (RCM). Product meets applicable regulatory requirements.



The guaranteed sound pressure level is 84 dB.
The guaranteed sound power level is 96 dB.



Waste electrical products should not be disposed of with household waste. Please recycle where facilities exist. Check with your local authority or retailer for recycling advice.

The following signal words and meanings are intended to explain

the levels of risk associated with this product.

⚠ DANGER

Indicates an imminently hazardous situation, which, if not avoided, will result in death or serious injury.

⚠ WARNING

Indicates a potentially hazardous situation, which, if not avoided, could result in death or serious injury.

⚠ CAUTION

Indicates a potentially hazardous situation, which, if not avoided, may result in minor or moderate injury.

CAUTION

Without safety alert symbol

Indicates a situation that may result in property damage.

GENERAL MOWING TIPS



The run time of the battery depends on the condition, length, and density of the grass. Adjust the cutting height of the lawn mower to suit the current condition of the lawn.

For best performance, always cut off one-third or less of the total height of the grass.

- When cutting long grass, reduce walking speed to allow for more effective cutting and a proper discharge of the clippings.
- Do not cut wet grass; it will stick to the underside of the deck and prevent proper collection or discharge of grass clippings.
- New or thick grass may require a higher cutting height.
- If you wish to collect the grass cuttings for disposal, remove the mulching plug and fit the grass catcher making sure the top flap is properly closed. Empty the grass catcher regularly; otherwise, the discharge chute will become blocked with grass cuttings.
- If you are making a light cut and wish for the grass cuttings to remain on the lawn, fit the mulching plug and close the top flap to cover the discharge opening. It is not necessary to fit the grass catcher in this case.
- The product is designed to operate and cut most effectively when moving forwards.
- A higher cutting height will extend the run time of the battery pack.



AEG



www.aegpowertools.com.au
www.aegpowertools.co.nz

Techtronic Industries Australia Pty Ltd

31 Gilby Road, Mount Waverley,
VIC, 3149, Australia

Techtronic Industries N.Z. Limited

Unit C, 70 Business Parade South,
Highbrook, Auckland 2013, New Zealand

961087019-03

*AEG is a registered trademark used under
license from AB Electrolux (publ).*

