

ASSEMBLY INSTRUCTIONS

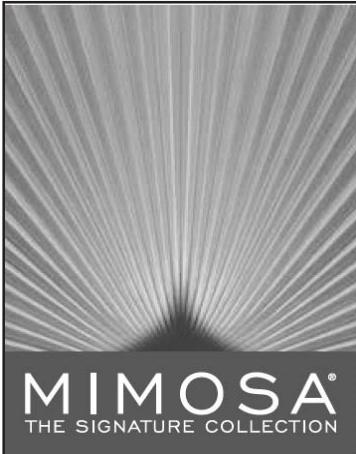
MIMOSA[®]
THE SIGNATURE COLLECTION

INFINITY TEAK TABLE

100% FSC Certified Teak timber

- Distressed Timber-antique clay-grey brushed finish
- Natural Oil finish
- 30mm thick timber table top slats
- Size: 250L x 100W x 75H cm





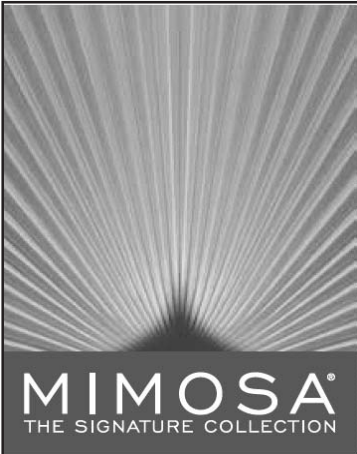
Your Infinity Dining Table requires assembly prior to use. It is important that you read the entire assembly instructions to become familiar with the unit before you set up the table.

Safety Warning and Precautions

WARNING: When setting up your table, basic precautions should always be followed to reduce risk of personal injury and damage to the table.

Read all instructions before assembly and usage this product.

1. Select ideal location. Set out all parts on a clear and level surface prior to assembly. Ideally, the table should be set up in the desired location to avoid moving it after assembly.
2. Use caution. During all the processes of assembling, especially when lifting heavy or large parts, pay attention to safety.
3. Tools and Assistance. An adjustable spanner is required for assembly. It is recommended 2 people assist with assembly.
4. Check all parts before assembling the table, ensure you have all parts detailed in the parts list on Page 3.
5. Refer to assembly diagram. During assembly, refer to the assembly instructions on page 3.
6. Caution. Keep children away from work area during assembly. Do not allow children to handle parts or tools while assembling your table.



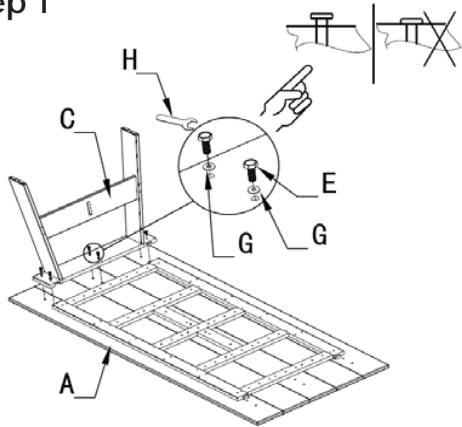
ASSEMBLY INSTRUCTIONS

INFINITY TEAK TABLE

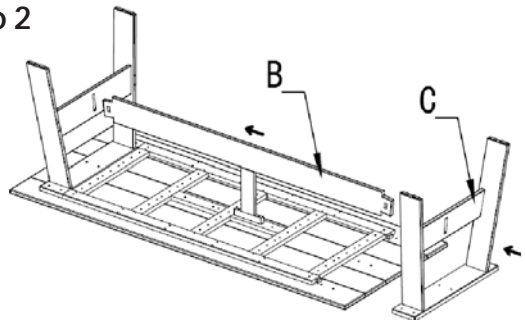
PARTS LIST

Parts #	Description	Figure	Qty
Part A	Table top		1 pc
Part B	Table Supporting bar		1 pc
Part C	Table Legs		2 pcs
Part D	Locking Lug		2 pcs
Part E	Bolts (M8x40mm)		12 pcs
Part F	Bolts (M8x50mm)		2 pcs
Part G	Washer		14 pcs
Part H	Spanner		1 pc

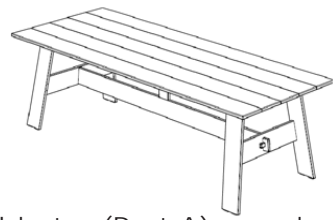
Step 1



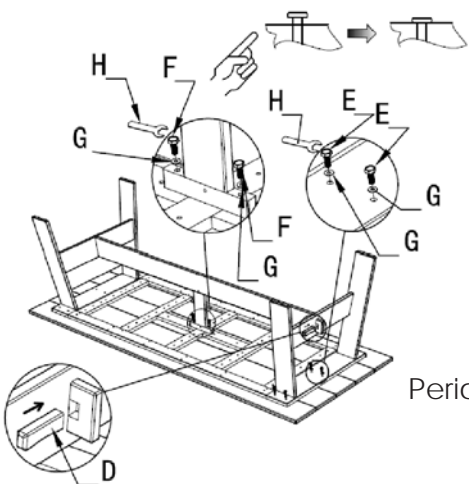
Step 2



Step 4



Step 3



Step 1: Place the table top(Part A) on a level surface with the bottom upward. Use bolt(Part E) and washer (Part G) to fix the table leg(Part C) with the table top.

Step 2: Same as step 1 to fix the table leg with the table top, and connect the 2 legs with Table support bar(Part B)

Step 3: Use Bolt (Part F) and washer to fix the support bar with the table top. Insert the locking lugs (Part D) in each ends of the support bar. Tighten all the bolts.

Step 4: Place the table upright and it is ready to use.

Periodically check and make sure that all bolts are fully tightened.