

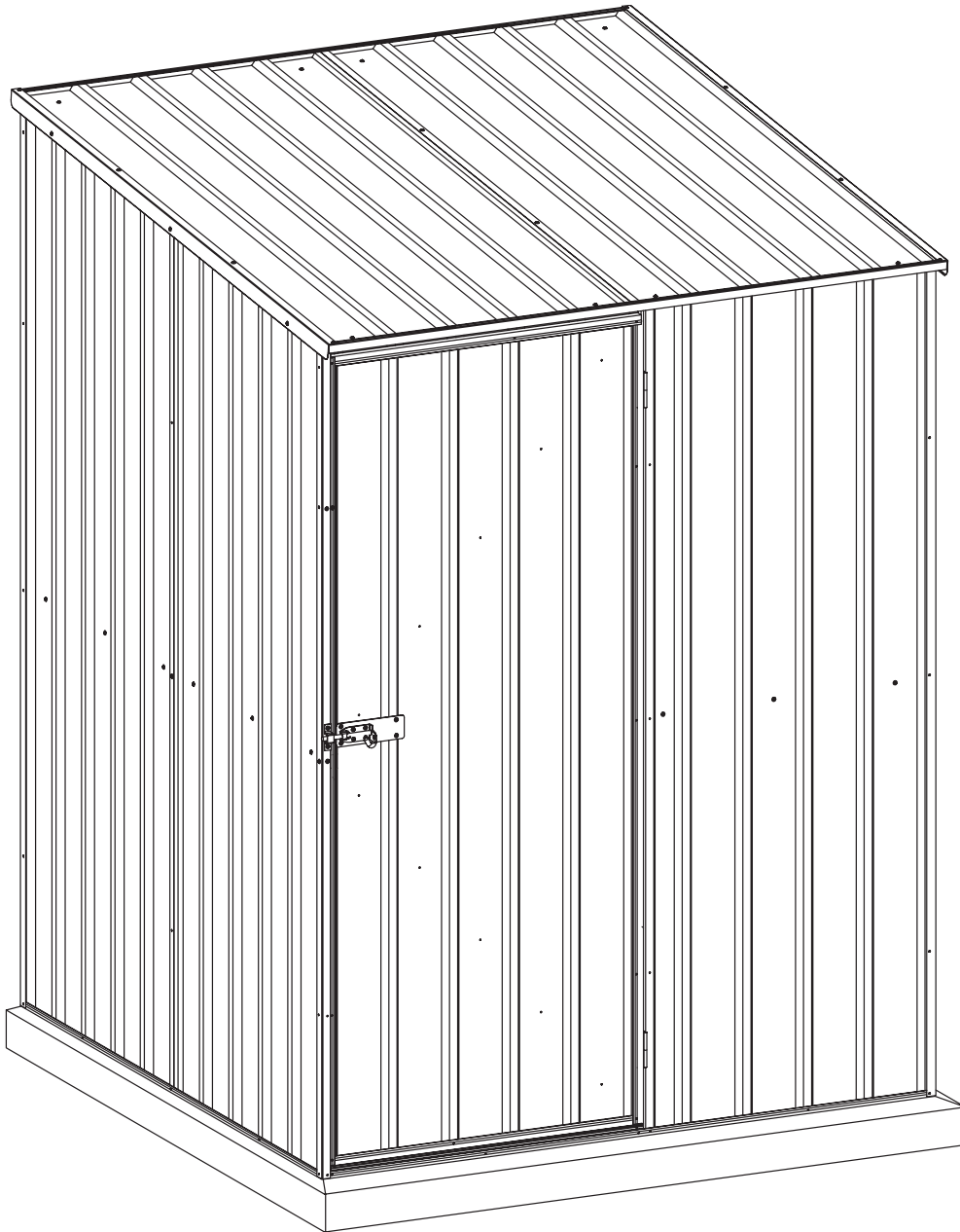
GardenShed

1.5W x 1.5D x 2.1Hm



1.5m Skillion Series

Assembly instructions



Congratulations on purchasing your new Pinnacle garden shed. Before assembling, we recommend you read the instructions thoroughly. Your new shed comes with pre-drilled holes to make assembly quicker. We recommend you assemble the shed using a trestle table or sawhorses and planks. This will ensure that you are working off the ground and make it easier for you. Assembly is a two-person job and should not be attempted in windy conditions.

SAFETY TIP:

When assembling or installing this product wear protective gloves and eyewear.

Tools required: Drill, measuring tape, Phillips-head screw driver, rivet gun, rubber mallet, sturdy ladder, shifting spanner, 2 saw horses, 3mm steel drill bit, 4mm steel drill bit and a 9mm masonry drill bit.

GardenShed 1.5 x 1.5 x 2.1m

Build your garden shed in 7 easy steps!

Step 1: Check all parts against the component list

Step 2: Assemble the rear wall panels

Step 3: Assemble the side wall panels

Step 4: Assemble the roof panels

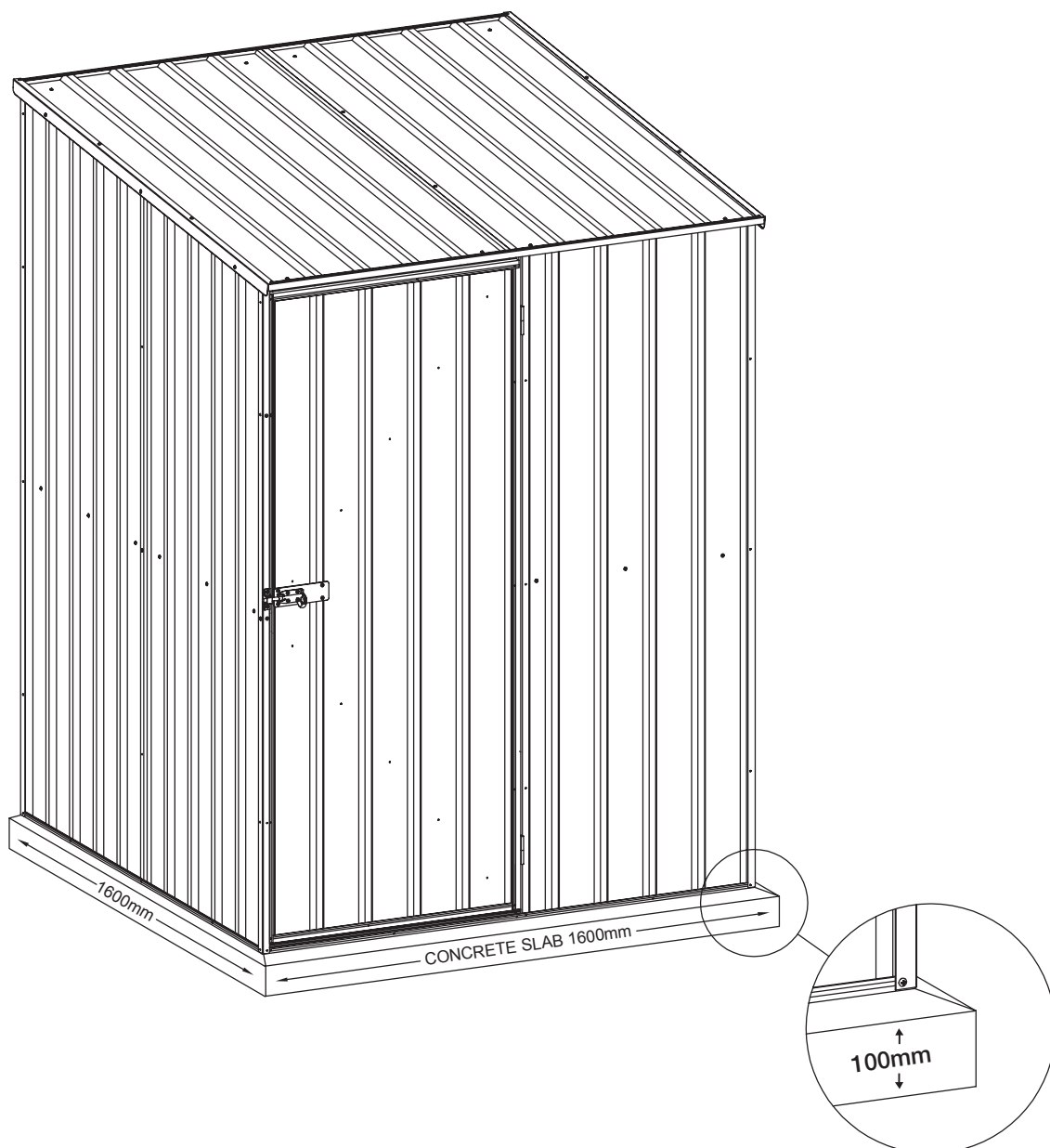
Step 5: Assemble the front wall panel

Step 6: Assemble the front door

Step 7: Fit the panels together



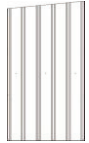
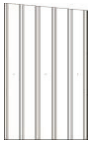

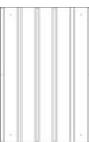



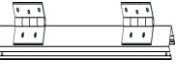

IMPORTANT: *It is recommended that your new shed is secured to a concrete slab as per the specifications in this manual.*

Concrete slab: Please ensure that your site is level. It is recommended that your slab is 100mm thick and you use builder's plastic and F52 reinforcing mesh. We recommend that you make your slab approximately 100mm bigger than the base dimensions of your shed. This will allow for a 50mm edge around your shed. We recommend that you slope the 50mm edges downward by 10mm so that rain water can drain away from your shed.






















Step 1: Check all parts against the component list

Lay out all parts with number facing outwards and check off against parts list.





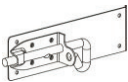



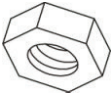





Picture	Description	Component	Location	Part No.	QTY	Check
	Sheet	Sheet 2057x770	Rear wall	6A	2	
	Sheet	Sheet 1977-2057x770 Left	Side wall	7A	1	
	Sheet	Sheet 1977-2057x770 Right	Side wall	7B	1	
	Sheet	Sheet 1900-1980x770 Left	Side wall	2L'	1	
	Sheet	Sheet 1900-1980x770 Right	Side wall	2D	1	
	Sheet	Sheet 1600x770	Roof	8	2	
	Sheet	Sheet 1900x708	Front	4B	1	
	Door Sheet	Sheet 1845x770	Door	5B	1	
	Channel	Channel 1843	Door	24F	1	
	Channel	Channel 1843	Door	24G	1	
	Channel	Channel 768	Door	M26	2	

GardenShed 1.5 x 1.5 x 2.1m


Picture	Description	Component	Location	Part No.	QTY	Check
	Brace	Brace 1034	Door	U12	2	
	Channel	Channel 1508	Roof side wall	20A	4	
	Channel	Channel 1508	Rear wall	20B	1	
	Channel	Channel 1508	Rear wall	20C	1	
	Channel	Channel 1508	Front	20D	1	
	Channel	Channel 1508	Front	20E	1	
	Channel	Channel 1515	Side wall	25	2	
	Channel	Channel 775	Front	23	1	
	Channel	Channel 1458	Rear wall side wall	31	3	
	Channel	Channel 674	Front	33R	1	
	Jamb	Jamb 1898	Front	41A	1	
	Jamb	Jamb 1898	Front	41B	1	
	Jamb	Jamb 775	Front	42	1	
	Brace	Corner brace 1898	Corner	Z19	1	

Picture	Description	Component	Location	Part No.	QTY	Check
	Brace	Corner brace 1898	Corner	Z20	1	
	Brace	Corner brace 2055	Corner	Z21	1	
	Brace	Corner brace 2055	Corner	Z22	1	
	Lip	Lip 1601	Roof	51	2	
	Joining brace	Joining brace	Door	W	1	

Fittings part list: All fittings in this list are located in box 2

Picture	Component	QTY	Picture	Component	QTY	√
	Self tapping screws (10mm)	150		Self tapping screws (16mm)	20	
	4 x 10mm Rivet	12		3 x 10mm Rivet	40	
	Pad bolt	1		Keeper	1	
	Bracket	8		5/16 x 19mm Hexagonal bolt	8	
	5/16 Hexagonal Nut	8		Mid wall brace bracket	3	
	Self taper safety cover	25		Channel safety cover (L type)	1	
	Channel safety cover (R type)	1		Plastic stopper	4	

GardenShed 1.5 x 1.5 x 2.1m

Picture	Component	QTY	Picture	Component	QTY	✓
	Sleeve anchor bolt	8				

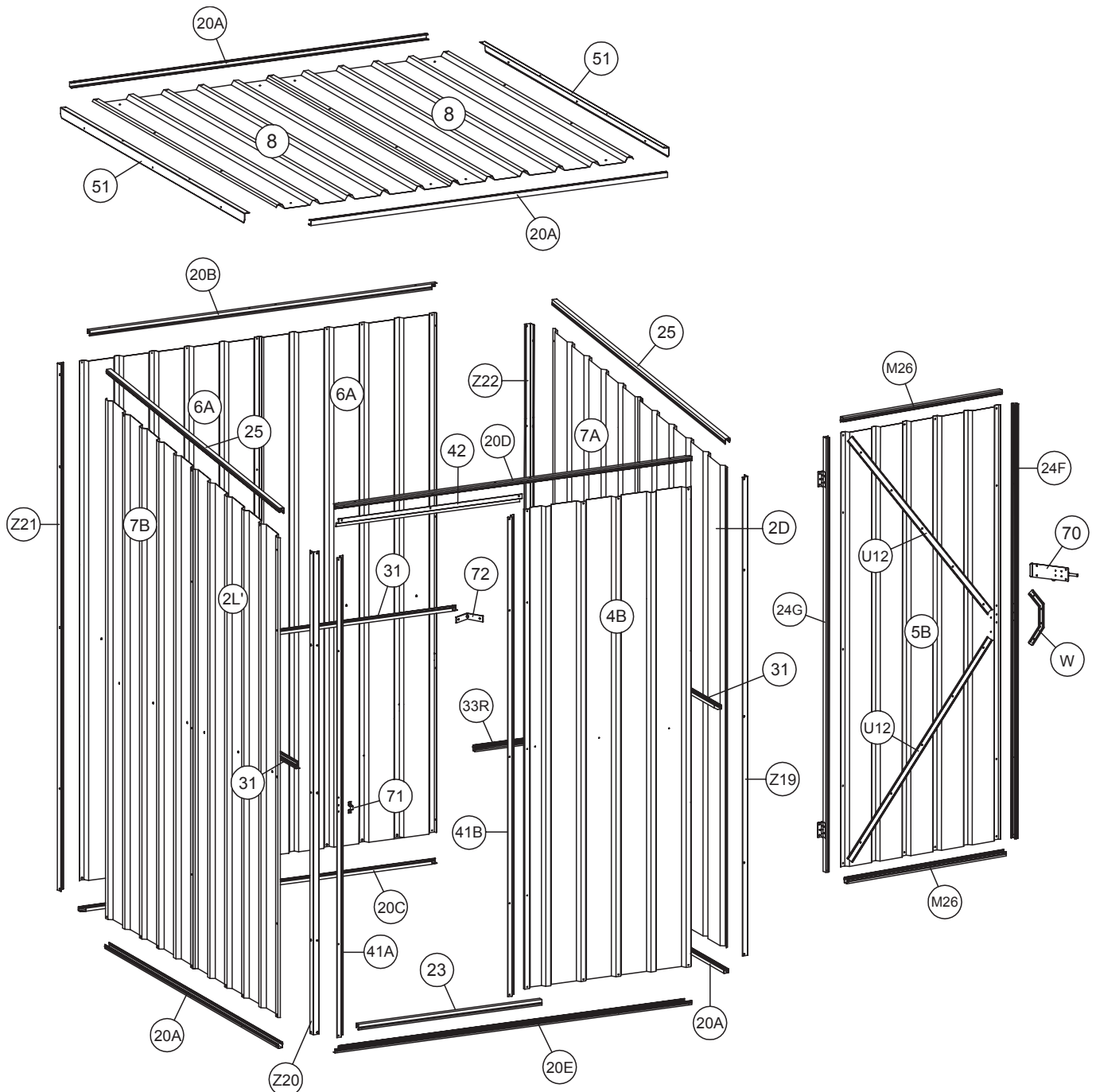
Qty checking date: ___ / ___ / ___

Qty checking personal badge number: _____

Signature: _____

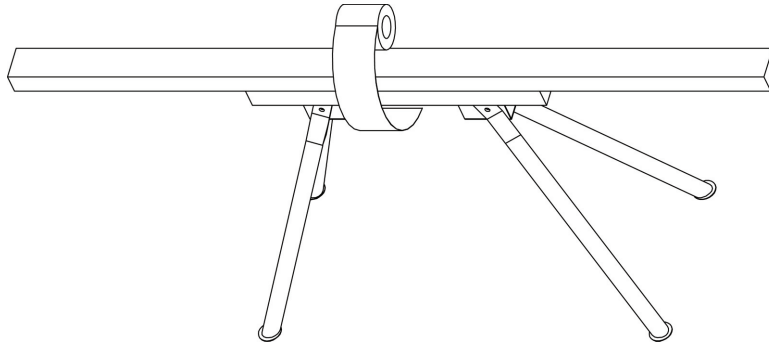
In the unlikely event that you find you are missing a part, please contact Pinnacle at 1800 349 776. A copy of proof of purchase may be requested.

Shed overview:



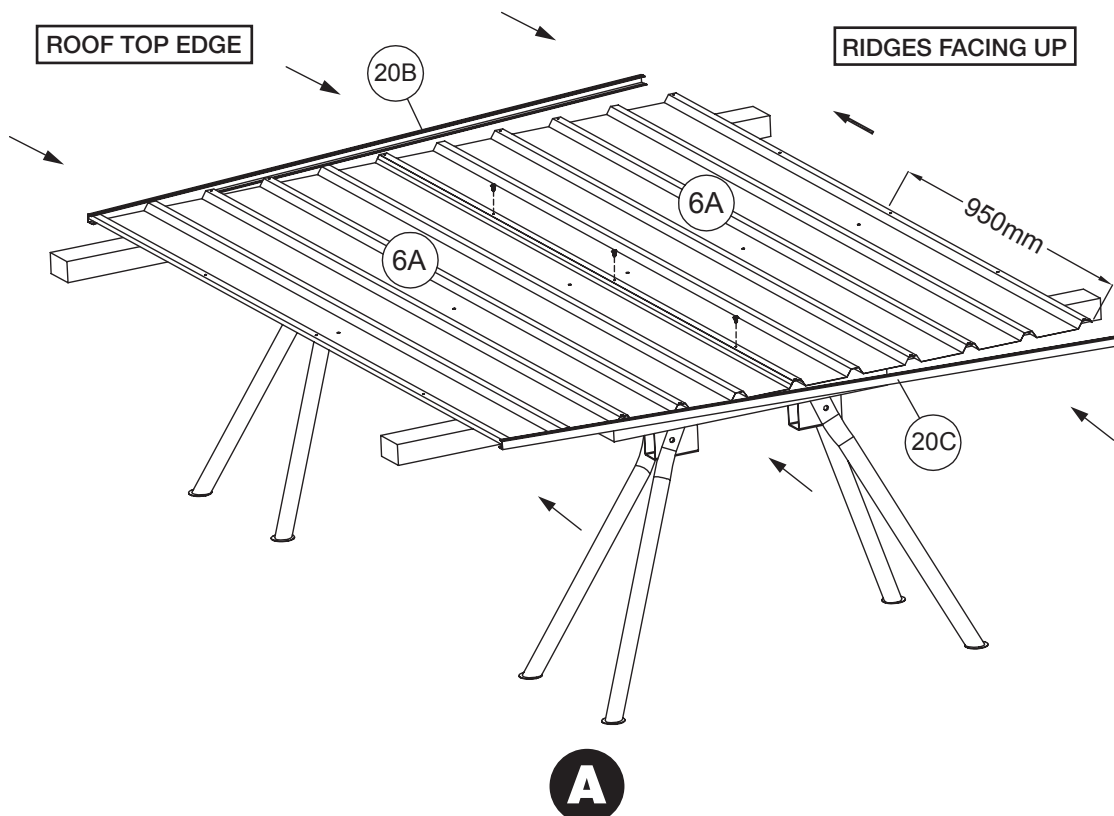
Step 2: Assemble the rear wall panels

You will find it easier to assemble your shed using sawhorses with timber studs attached (timber needs to be the same length as the shed (1.5m)) or alternatively, a trestle table.



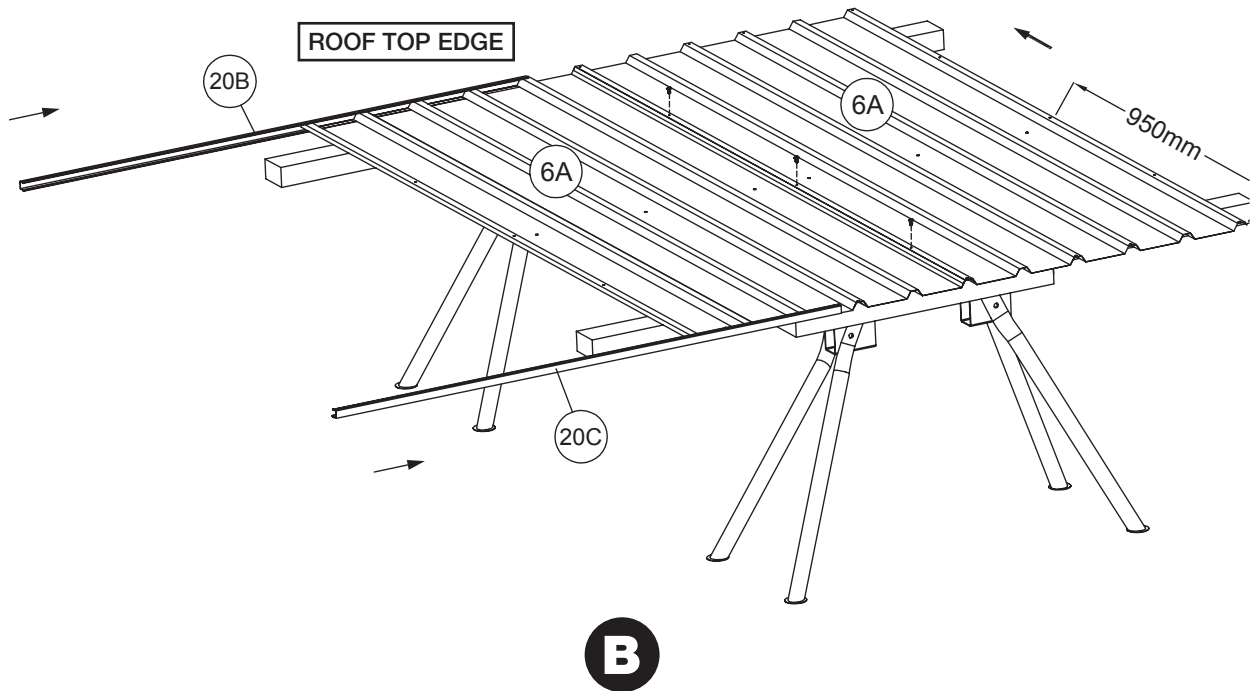
Place 2 x part 6A (sheet) on your worktable and join together with the self-tapping screws as per the diagram below.

Now fit part 20B (top channel) and part 20C (bottom channel) to the sheeting by tapping it in (diagram A) or sliding it in (diagram B). Make sure the small lip of the channel is always facing out. This ensures rainwater cannot build up inside your shed.

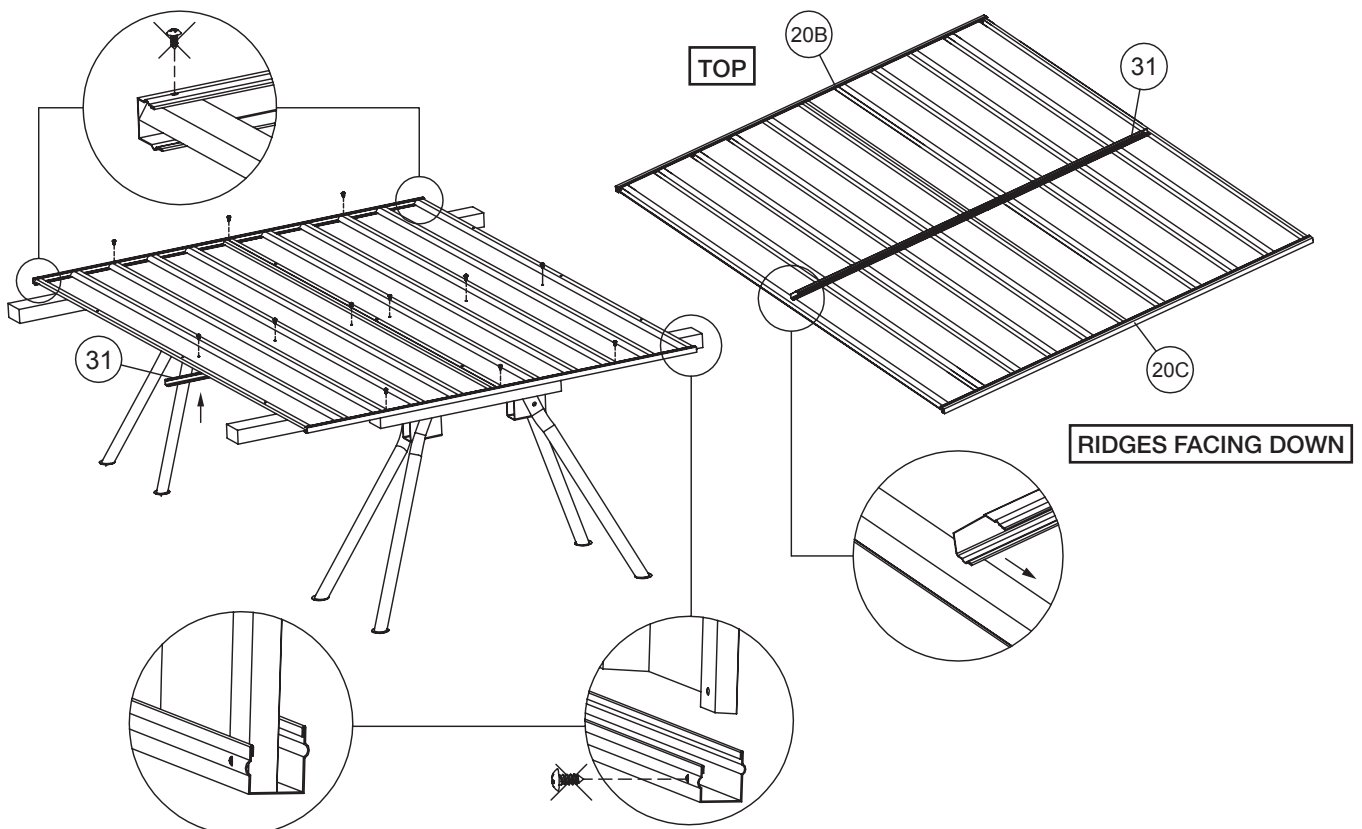


GardenShed 1.5 x 1.5 x 2.1m

Step 2: Assemble the rear wall panels (continued)



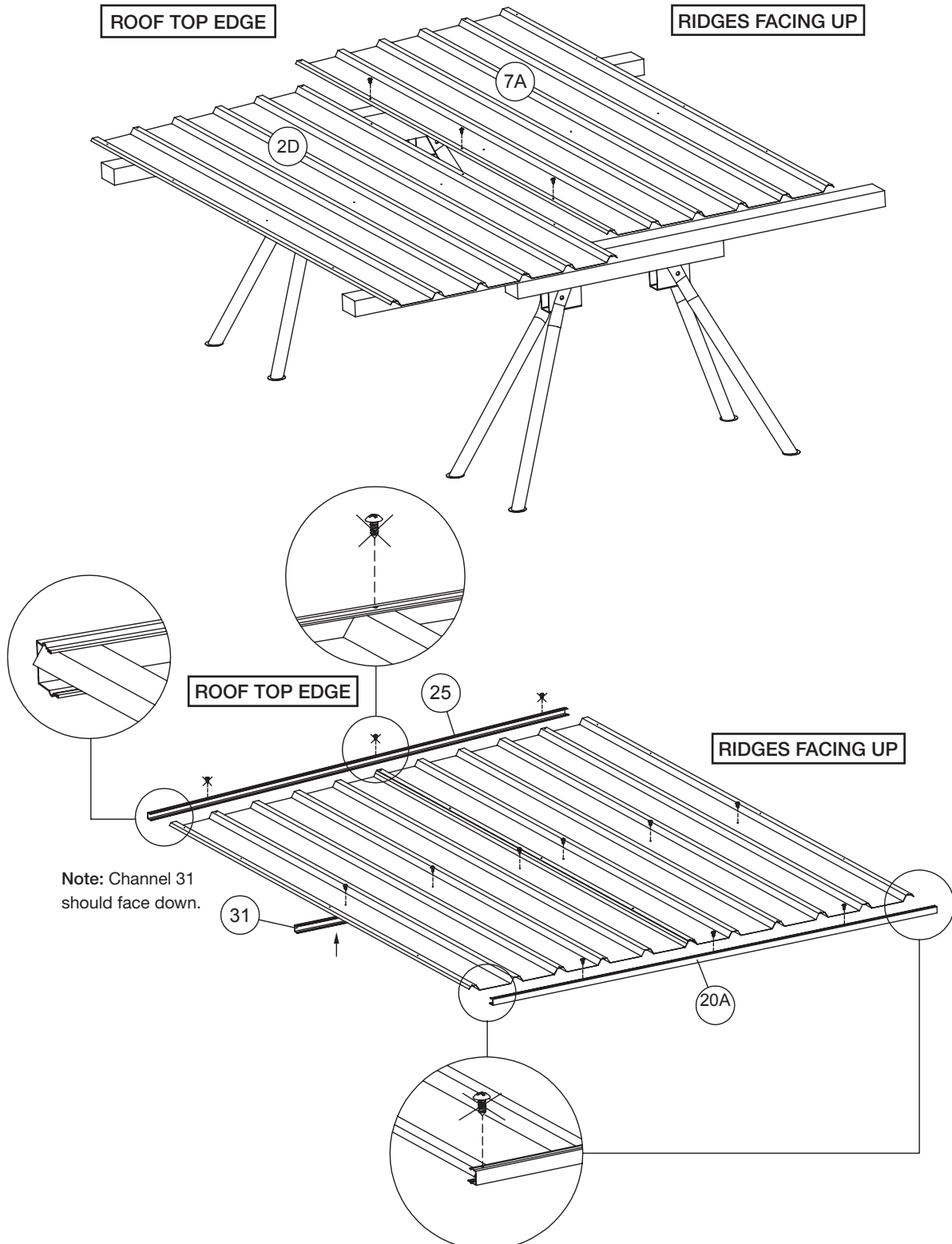
Now fit part 31 (mid wall channel) to the sheeting and position it with the self-tapping screws provided. Please note the groove should face downwards. Position the top and bottom channels with self-tapping screws as well. **NOTE:** All screws marked with a cross should not be fixed at this stage.



Tip: If panel and screw holes do not line up, try pulling panel to match up holes.

Step 3: Assemble the side wall panels

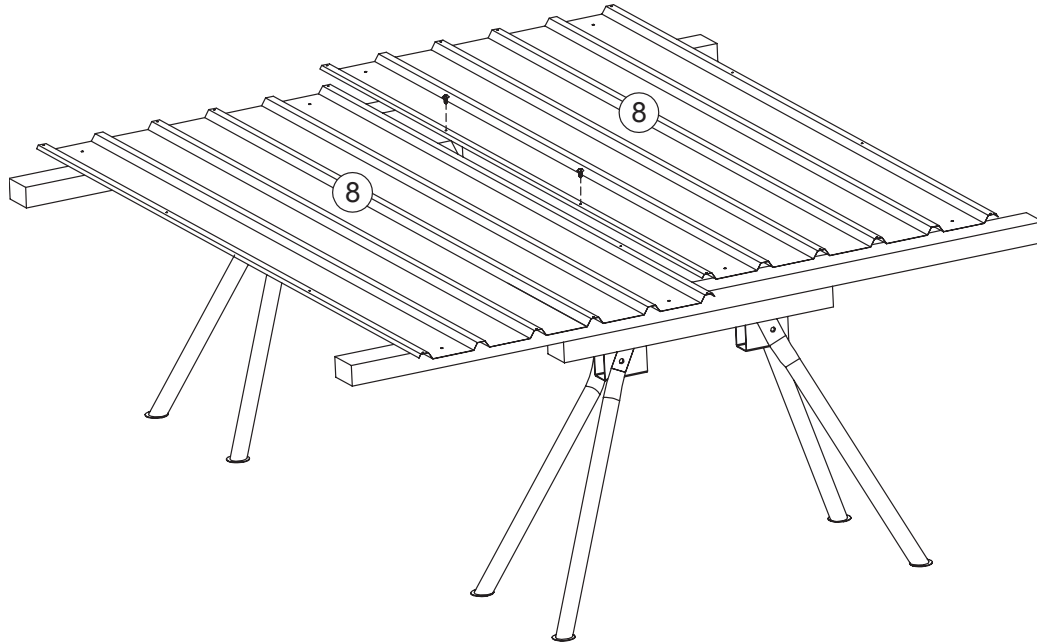
Place part 2D and 7A (sheet) on your worktable and tap or slide on part 25 (top channel) and part 20A (bottom channel). Position and fix part 31 (mid wall channel) using the self-tapping screws. Fix part 20A (bottom channel) with self-tapping screws but not part 25 (top channel) at this stage. Make sure that the small lip of the channels is always facing out. This ensures rainwater cannot build up inside your shed. Repeat the same steps for part 2L and part 7B (the other sidewall). **NOTE:** All screws marked with a cross should not be fixed at this stage.



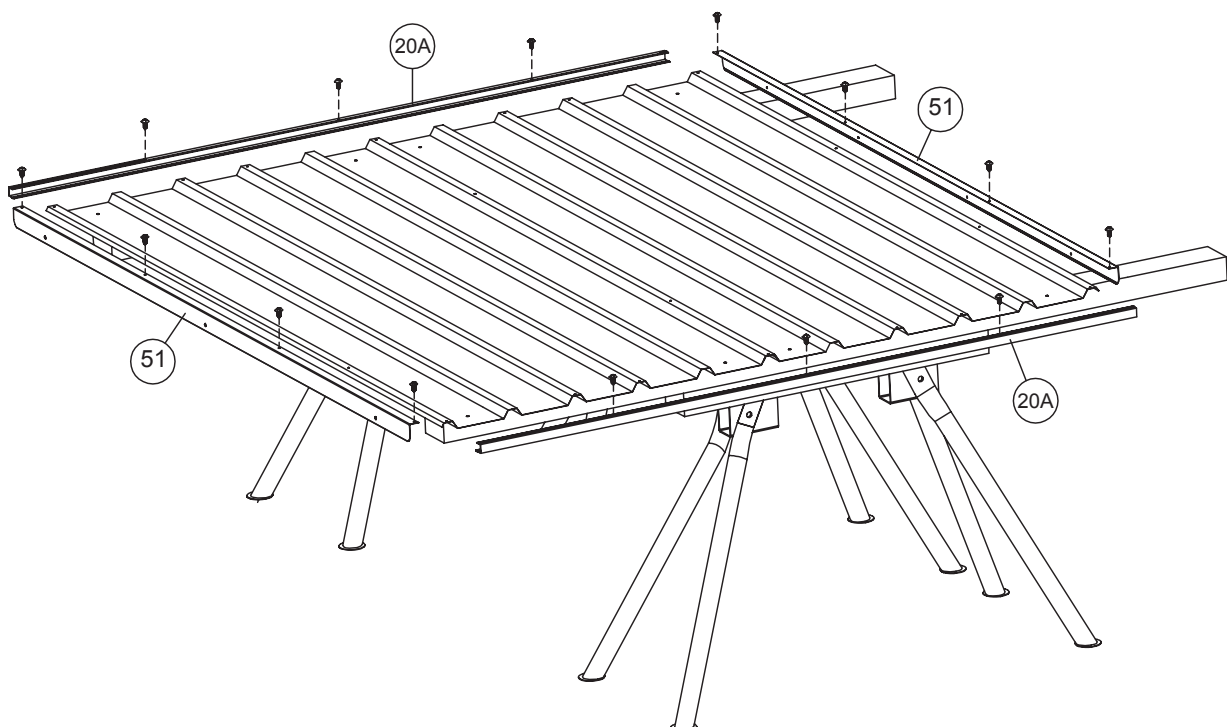
GardenShed 1.5 x 1.5 x 2.1m

Step 4: Assemble the roof panel

Place 2 x part 8 (sheet) on your worktable and join together with the self-tapping screws provided as per the diagram below.

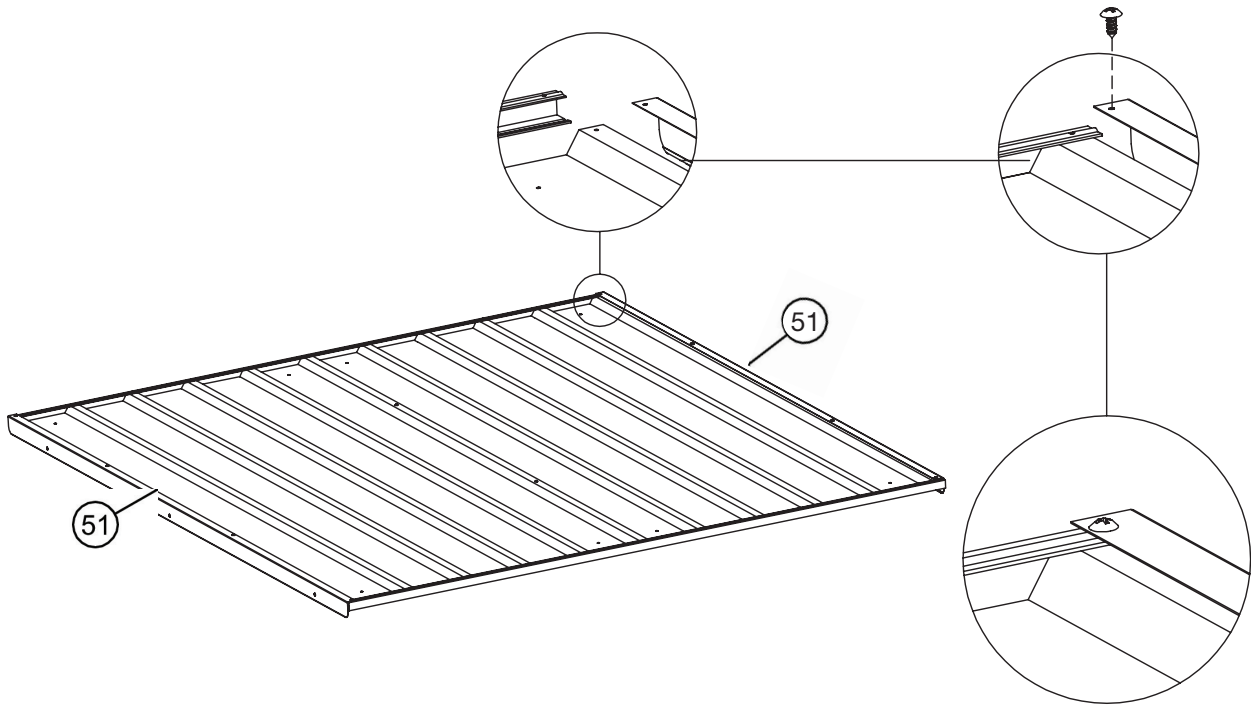


Now tap or slide in 2 x part 20A (channels) onto the sheeting and fix them to the top and bottom with the self-tapping screws provided. Make sure that the small lips on channels 20A are always facing out. This ensures rainwater cannot build up inside your shed.



Step 4: Assemble the roof panel (continued)

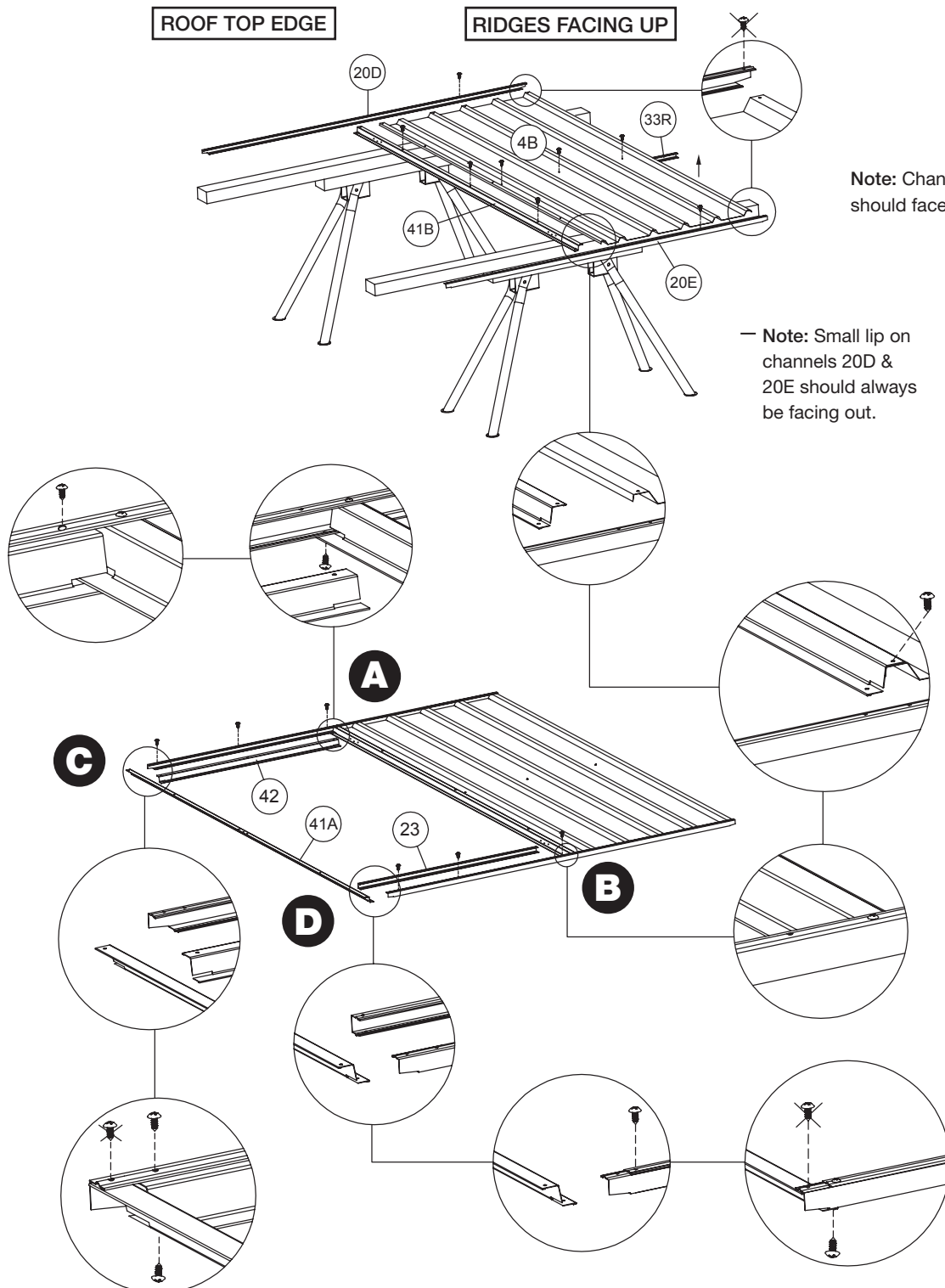
Now fit 2 x part 51 (side lips) to the sheeting and fix them with the self-tapping screws provided.



GardenShed 1.5 x 1.5 x 2.1m

Step 5: Assemble the front wall panel

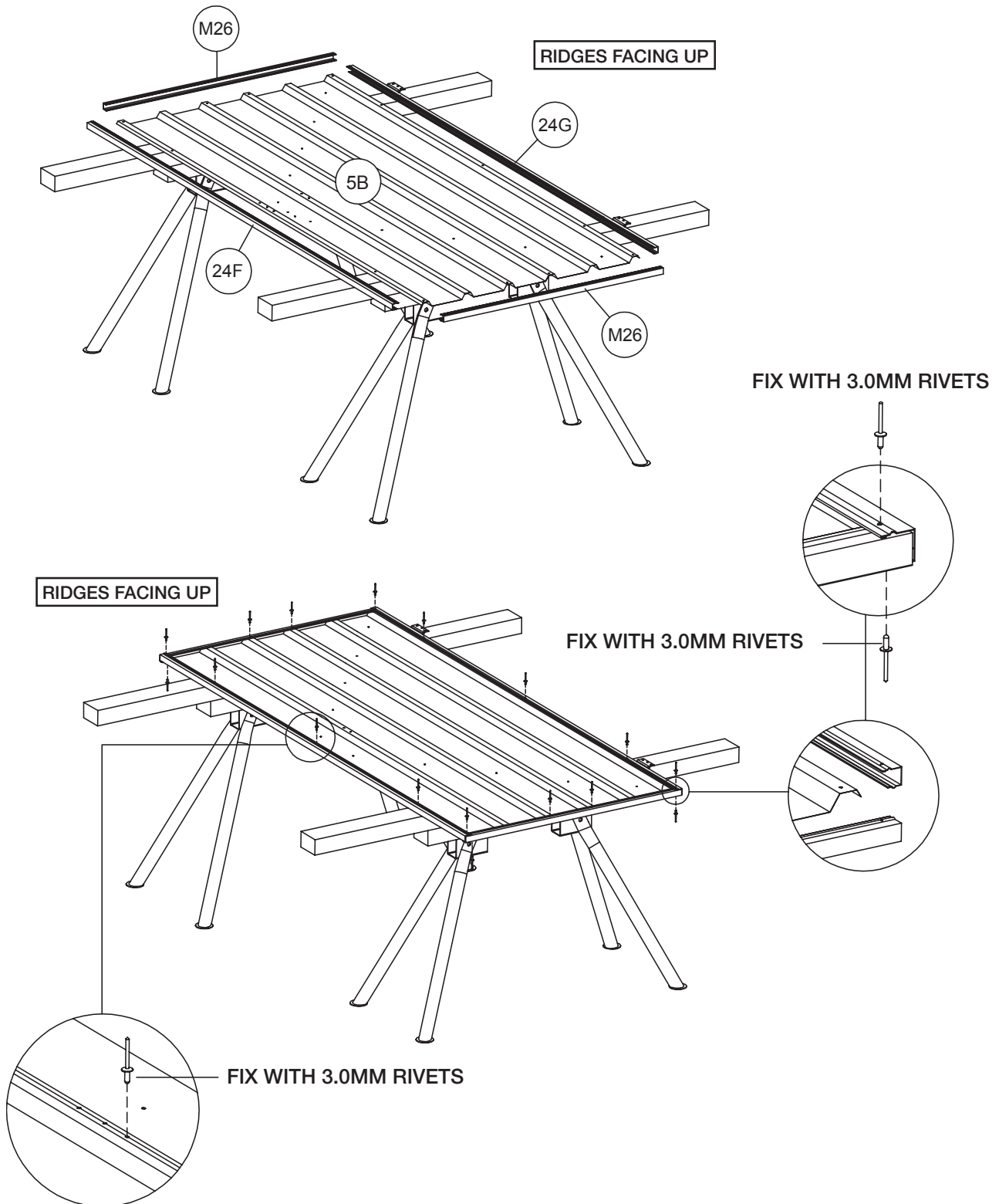
Place part 4B (sheet) on the worktable. Fit part 20D (top channel), part 20E (bottom channel) and part 41B (jamb) (There are pre-drilled holes for the next step on both parts 4B and 41B that must be aligned) and part 33R (mid wall channel) to the sheeting and fix them with the self-tapping screws. **NOTE:** All screws marked with a cross should not be fixed at this stage. Make sure that the small lips on channels 20D and 20E are always facing out. This ensures rainwater cannot build up inside your shed.



Fit part 41A (jamb), part 42 (jamb) and part 23 (bottom channel) and fix them with the self tapping screws (except those marked with a cross). Make sure both joins (diagrams A and B) are fixed the same followed by diagrams C and D.

Step 6: Assemble the front door

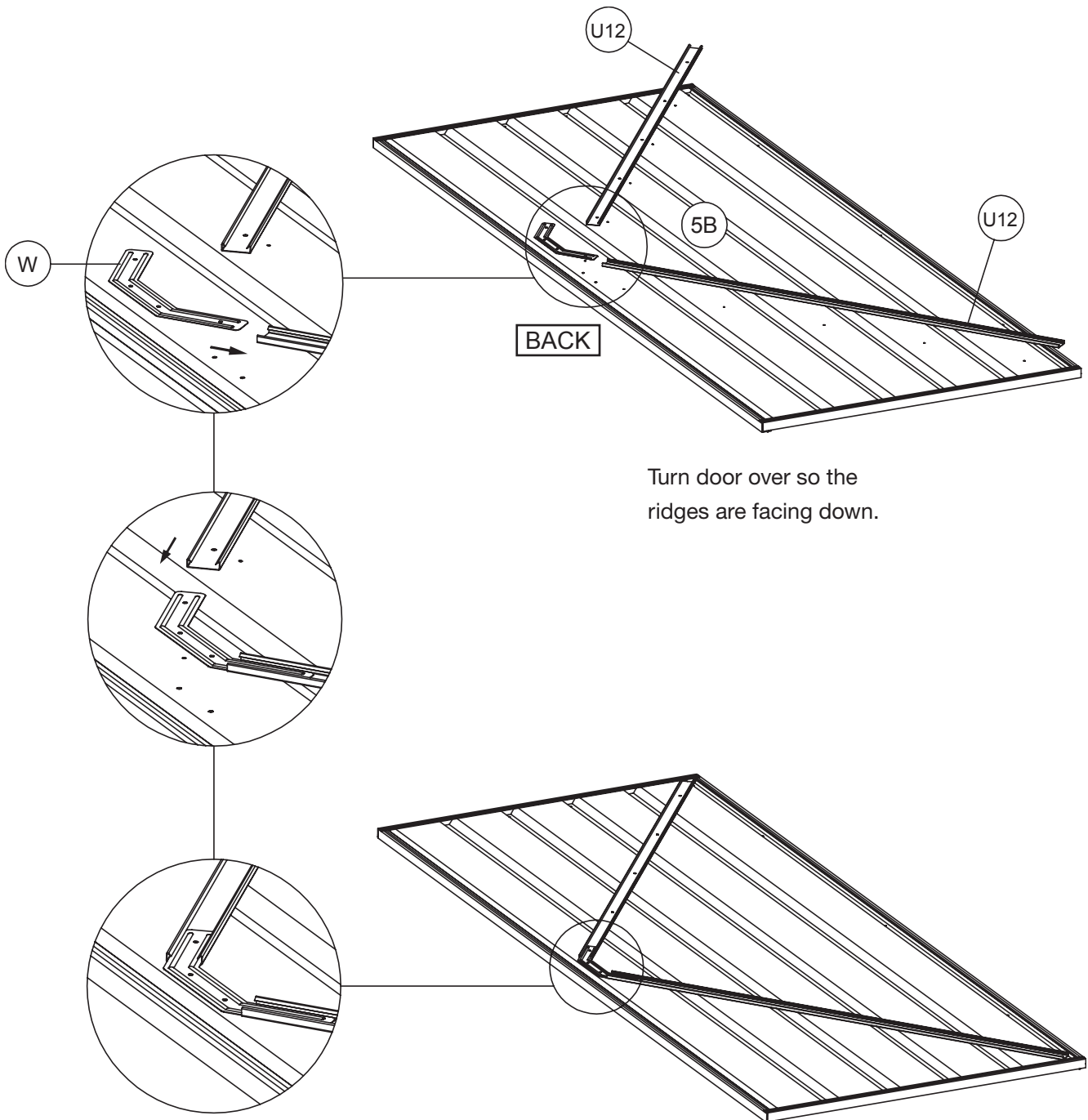
Place part 5B (door sheet) on the worktable and fix 2 x part M26, part 24G and part 24F (channels) with the provided 3.0 x 10mm rivets. Make sure the small lips on channels M26 are always facing out. This ensures rainwater cannot build up inside your shed.



GardenShed 1.5 x 1.5 x 2.1m

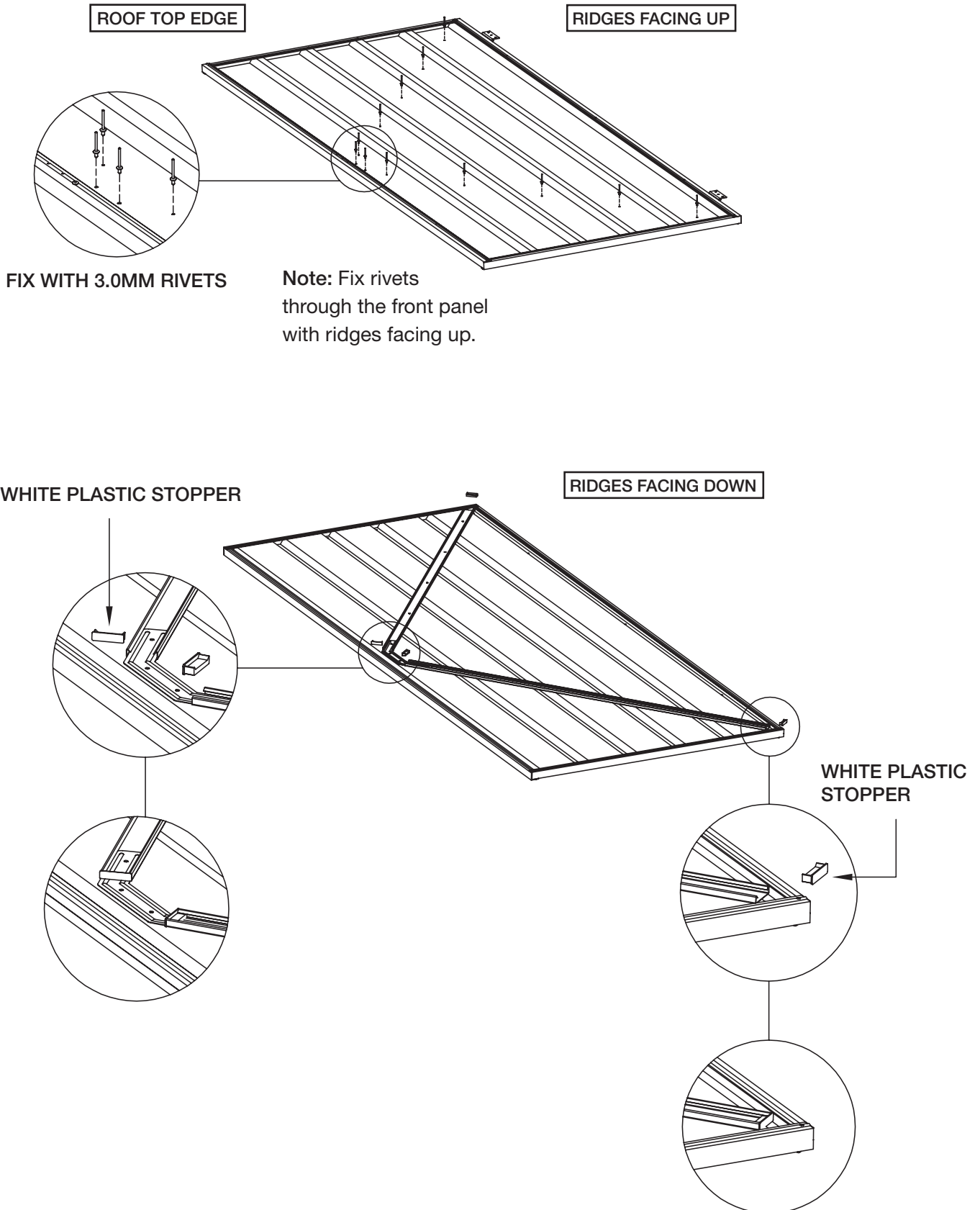
Step 6: Assemble the front door (continued)

Once channels are fitted to both doors, align 2 x part U12 (brace) and part W (joining brace) with holes on the back of the door and position temporarily with some tape or simply hold in place.



Step 6: Assemble the front door (continued)

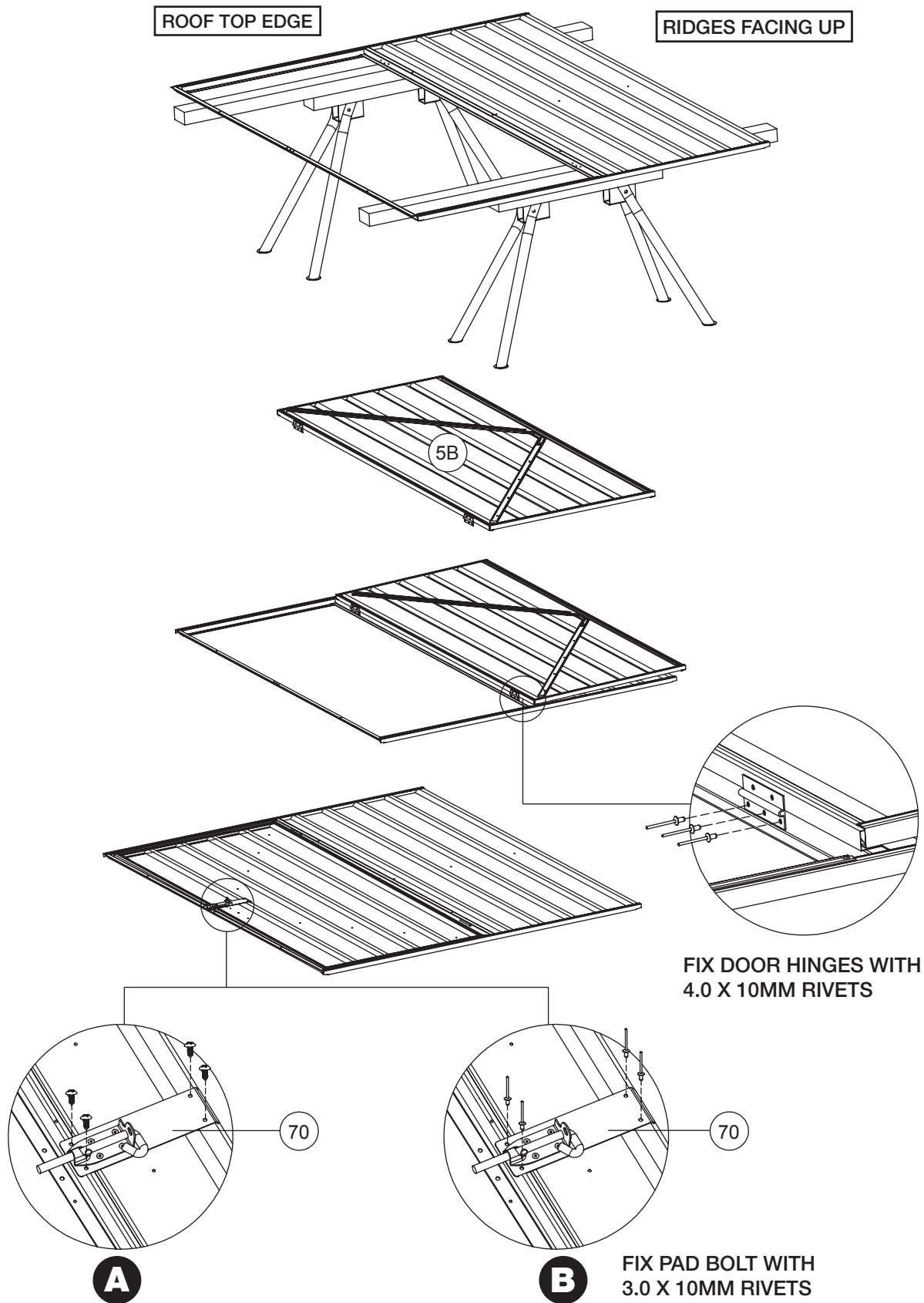
Turn door over with bracing aligned with holes (make sure the ridges of the door are facing up) and fix the bracing with the provided 3.0 x 10mm rivets through the front of the panel. Then turn door over and insert plastic stoppers at the ends of braces as shown below.



GardenShed 1.5 x 1.5 x 2.1m

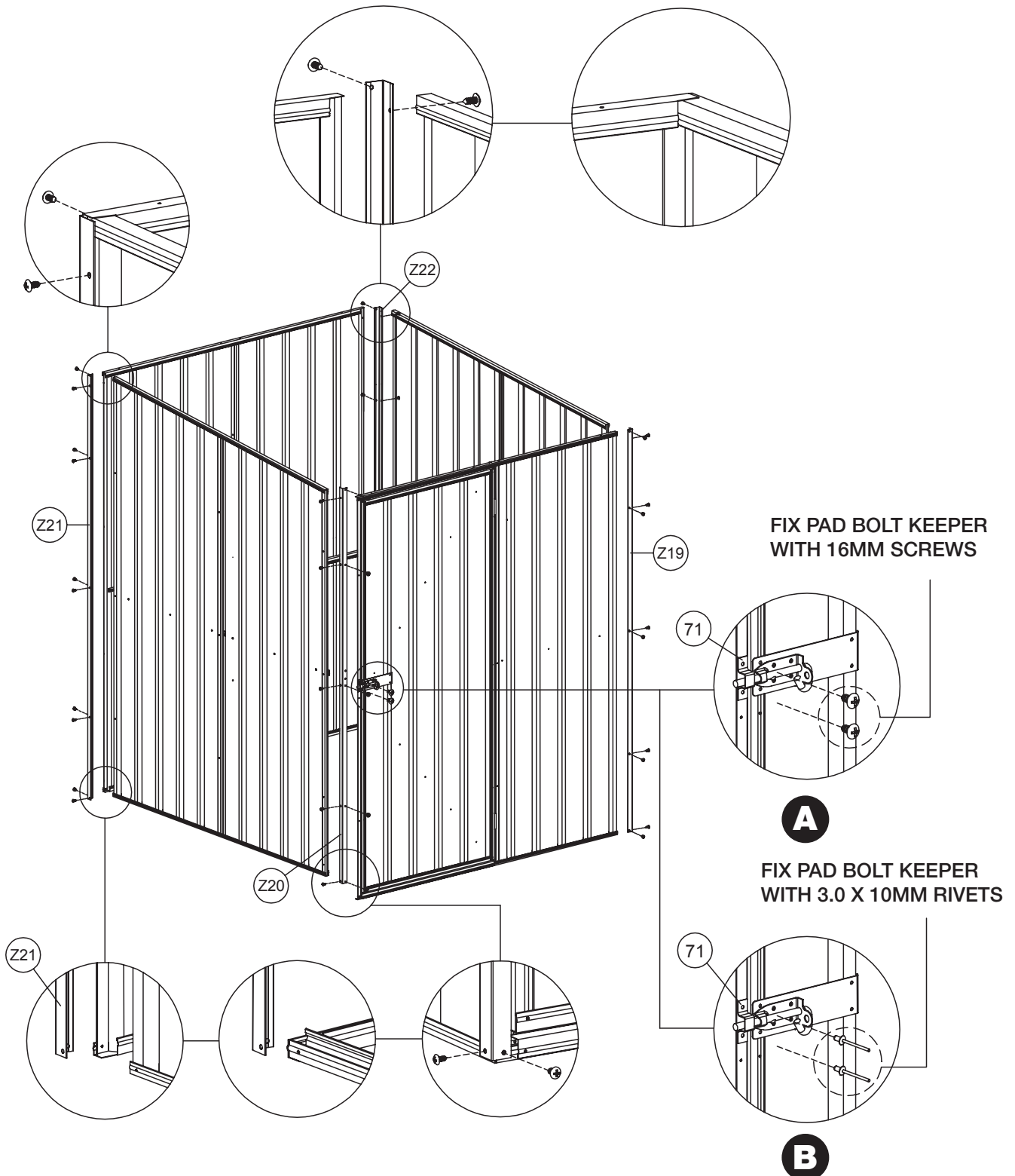
Step 6: Assemble the front door (continued)

Fit part 5B (assembled door) to the front wall panel as per the diagram below. Use a rivet gun to fix the door using the pre-drilled holes. Fix the pad bolt (but NOT its keeper at this stage) using the pre-drilled holes and the self-tapping screws (diagram A) or the rivets (diagram B) provided.



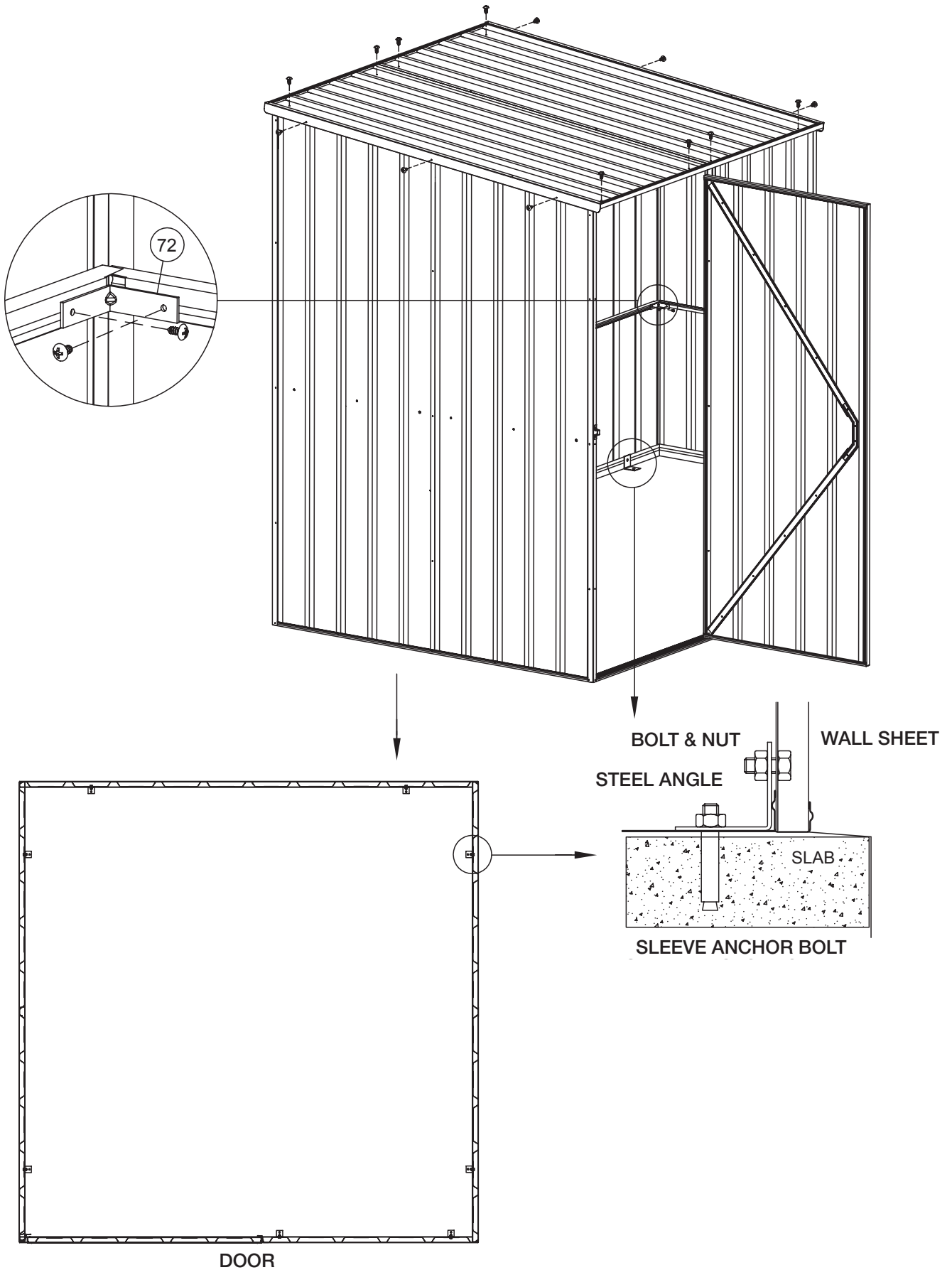
Step 7: Fit the panels together

Attach the side walls to the back wall, then the front wall, then the roof. Fix all the components using self tapping screws. Fix part 71 (pad bolt keeper) using 16mm self-tapping screws (diagram A) or using rivets (diagram B) ensuring the keeper lines up with the pad bolt. Also attach parts Z19, Z20, Z21 and Z22 (Corner brace) to each corner using the self-tapping screws provided.

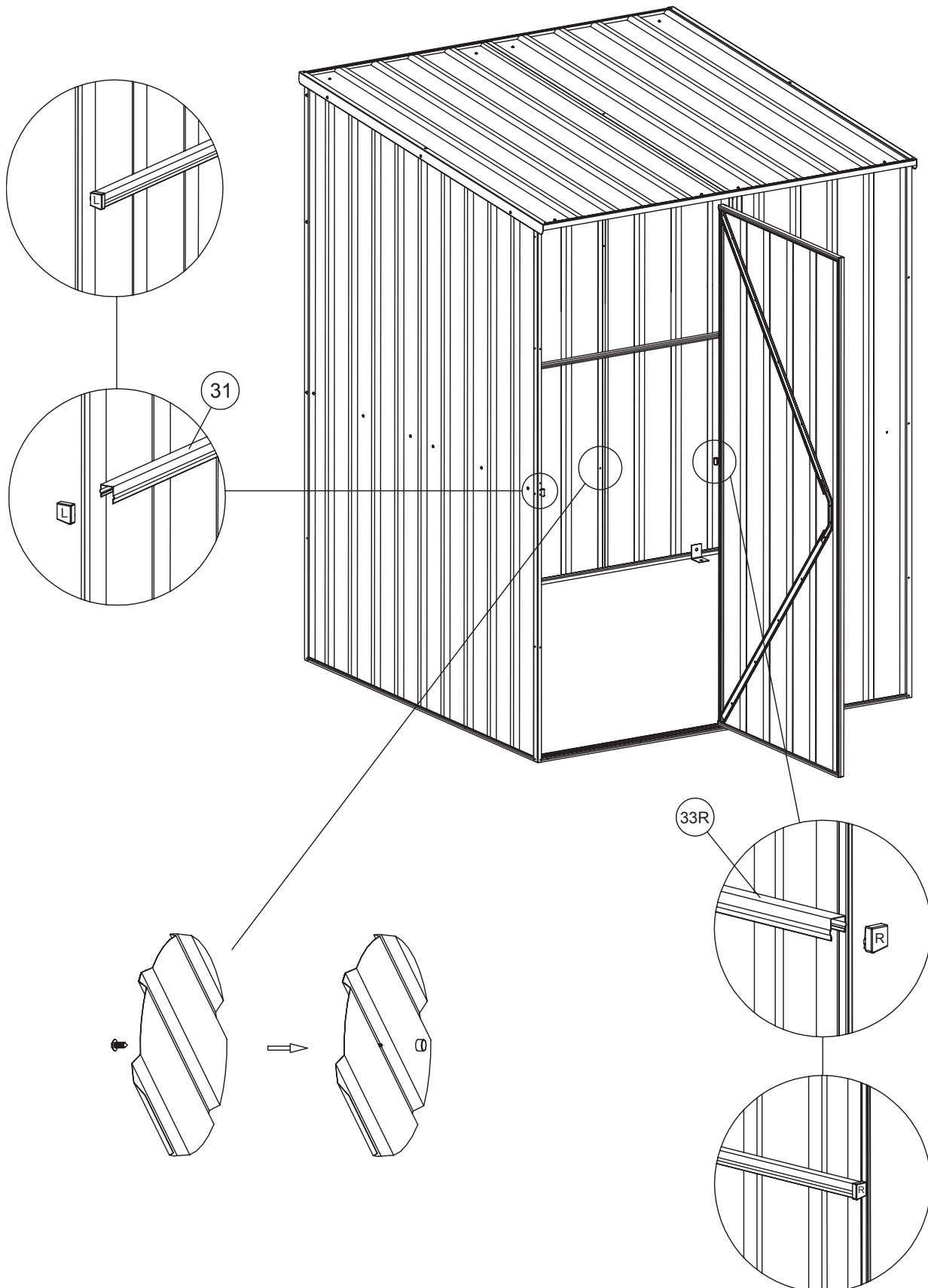


GardenShed 1.5 x 1.5 x 2.1m

Now fit the bolt down kit as per the diagram. Strengthen the mid wall braces by applying part 72 (mid wall brace bracket) to each corner if necessary.

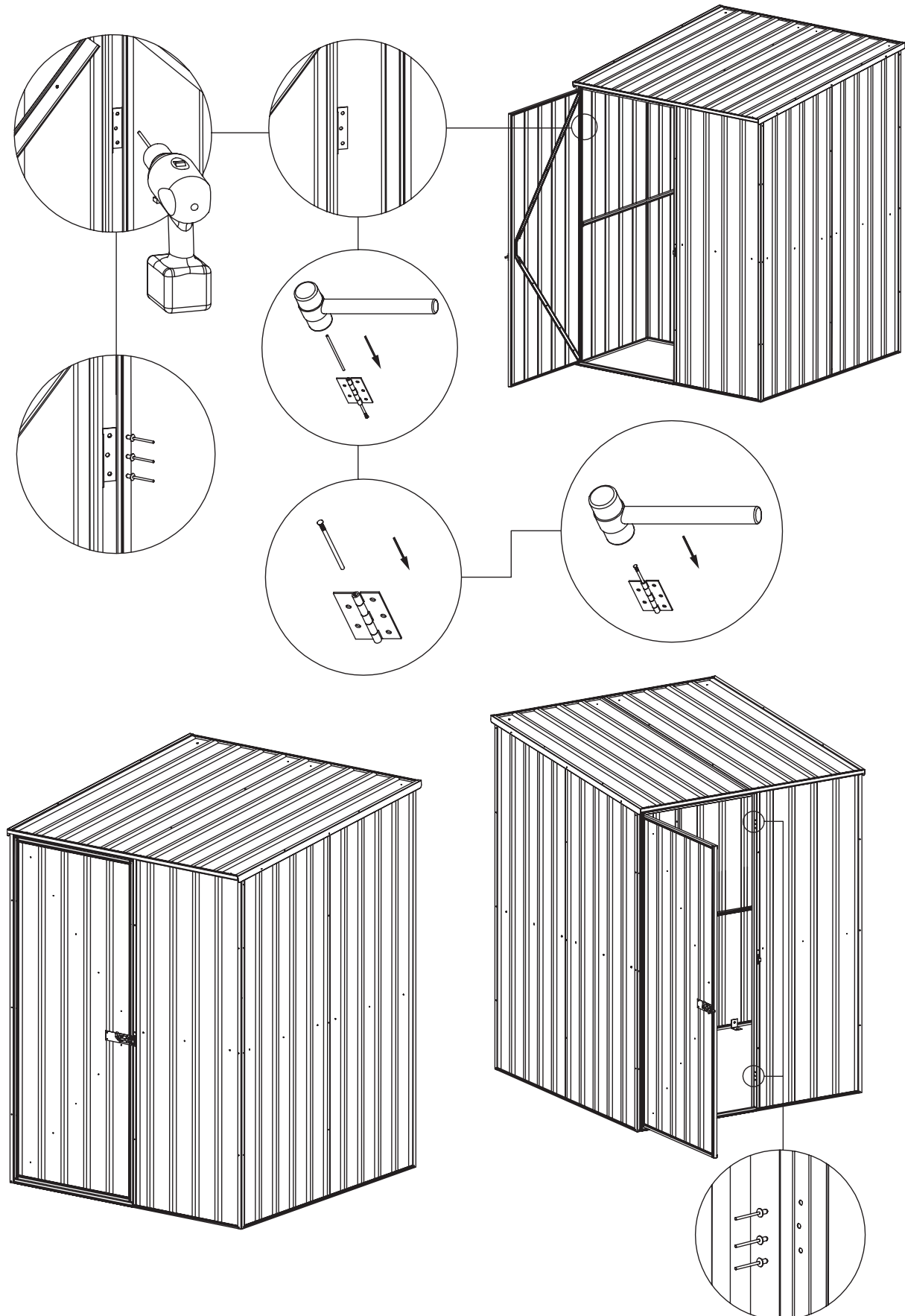


Apply channel safety cover (L type) to part 31 (channel) and channel safety cover (R type) to part 33R (channel). Also apply the self-tapper covers to screw ends visible in the walls on the inside of the shed as per the diagram below.



GardenShed 1.5 x 1.5 x 2.1m

The door can be hinged on the opposite side as well. Align the door with the edge and make holes using a cordless drill. Remove the pins from the hinges and reverse their direction before you attach the door. If you are concerned about the visibility of any pre-drilled holes, you can fill them with rivets. Perform the same procedure for the pad bolt.



Warranty statement:

This warranty against defects is given by:

Pinnacle Hardware.
Business Address: 28 Hudson Court, Keysborough VIC 3173
Ph: 1800 349 776
Email: support@pinnacle.net.au

New Zealand customers please contact:

HARCO (Harkness & Young Ltd)
Ph: 09 276 4071
Email: sales@harknessyoung.co.nz

Details of Manufacturer's Warranty

This product comes with a 15 year limited structural warranty ("the Warranty Period") from the date of purchase. This warranty also applies where there are missing or damaged parts identified in the parts list referred to in the instruction kit within the product packaging.

Please ensure that you keep this warranty form in a safe place along with your proof of purchase.

Product:
Place of purchase & Postcode:
Date of Purchase: /..... /.....

The benefits of this warranty are in addition to your rights under the Australian Consumer Law (ACL) and in particular, the guarantees implied under the ACL and any other rights and remedies of the consumer under a similar law in relation to the goods and services to which this warranty relates.

Process of claiming warranty:

To make a claim under the warranty within the warranty period, you will need to contact the manufacturer directly by phone or email:

Claims Department contact number: 1800 349 776
Claims Department email: support@pinnacle.net.au

You will be required to produce proof of purchase (this is at discretion of the manufacturer) at the time of the claim.

The manufacturer bears the cost of replacing the products or spare parts or repairing the products and reasonable direct expenses of claiming under this warranty:

- Where parts are replaced, the manufacturer will bear the cost of sending the spare part and will endeavour to deliver it to the customer's nearest reseller within 10 working days for the customer to pick up. At such time the customer may be required to return the alleged faulty parts.
- Where assessment is required in case of replacing or repairing the product, the manufacturer will appoint an assessor within 10 working days to identify the alleged defect. The manufacturer will bear the repair costs by appointing a local tradesman. The manufacturer may choose to replace the product if the repair or the cost of repair is not feasible. The replacement product will be available for collection from the nearest reseller within 10 working days. The customer will bear the cost of assembly for the replacement product.

GardenShed 1.5 x 1.5 x 2.1m

IMPORTANT

1. Manufacturer's Disclosure

This warranty against defects shall not apply in the following situations:

- A) Where the product is not assembled in accordance with the instructions provided in the product kit.
- B) Where the product is used to store corrosive materials such as fertilizer, chlorine etc;
- C) Where the damage to the product is caused by storms.

2. Notes

This product is weatherproof to a certain level; however driving windy rain may cause the product to leak. Condensation may also occur in some weather conditions such as extreme heat or cold. The product should only be used for storing items such as gardening equipment and should not be used for articles that may be prone to damage if they come into contact with moisture.

We strongly recommend you use a waterproof sealant to fill any gaps or joins in order to minimise the risk of water entering.

3. Major Defects

If the manufacturer is satisfied that the defect is a major defect, the purchase price may be refunded in lieu of providing a replacement product or repairing the product.

Our goods come with guarantees that cannot be excluded under the Australian Consumer Law. You are entitled to a replacement or refund for a major failure and for compensation for any other reasonably foreseeable loss or damage. You are also entitled to have the goods repaired or replaced if the goods fail to be of acceptable quality and the failure does not amount to a major failure.