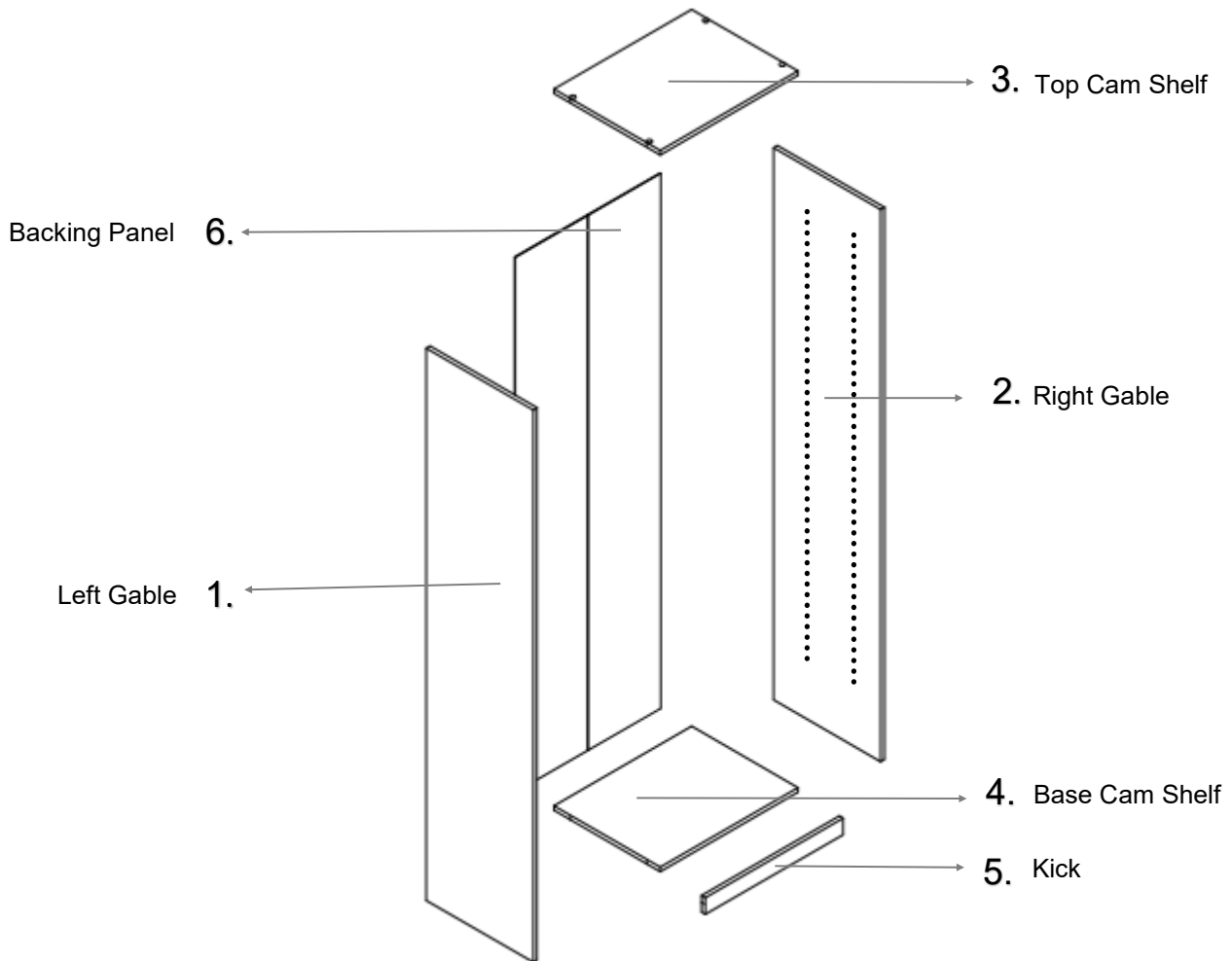
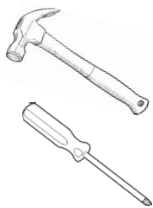


ASSEMBLY INSTRUCTION FOR UNIT



Tools Required for Assembly



Step 1: Lay all panels on the floor to assemble.

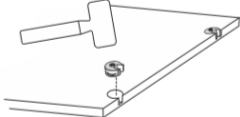
Step 2: Secure Left Gable (1) to Top Shelf (3), then the Base Shelf (4).

Step 3: Ensure all Shelves are attached to the Left Gable, then secure the Right Gable (2) to all 2 Shelves. Ensure you follow the below cam instructions and use 4 x Cam Locks and Pins per shelf.

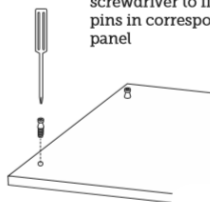
Step 4: When this is all completed cam the Kick Face (5) to the Base Shelf (4).

INSTALLING CAM LOCK FIXINGS

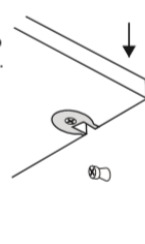
1. Use a rubber mallet to tap cams into pre-drilled holes on panels. Ensure cam opening is square with the edge of the board.



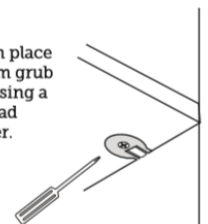
2. Use a Phillips head screwdriver to fit cam pins in corresponding panel



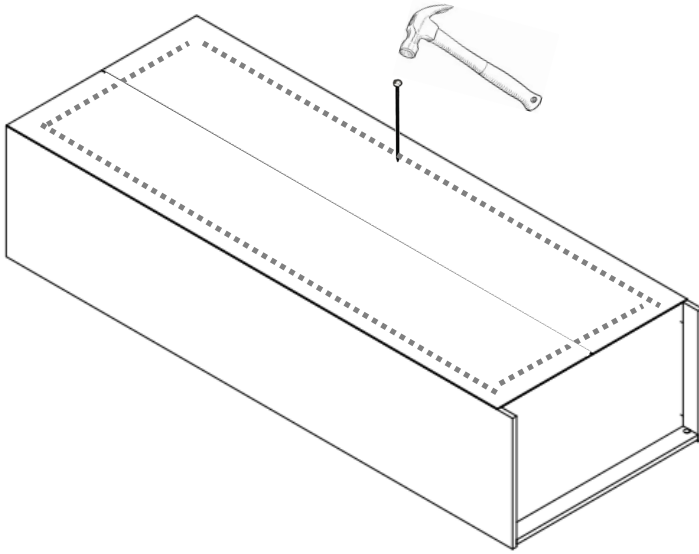
3. Push cam onto cam pin as shown.



4. Once in place tighten cam grub screw by using a Phillips head screwdriver.



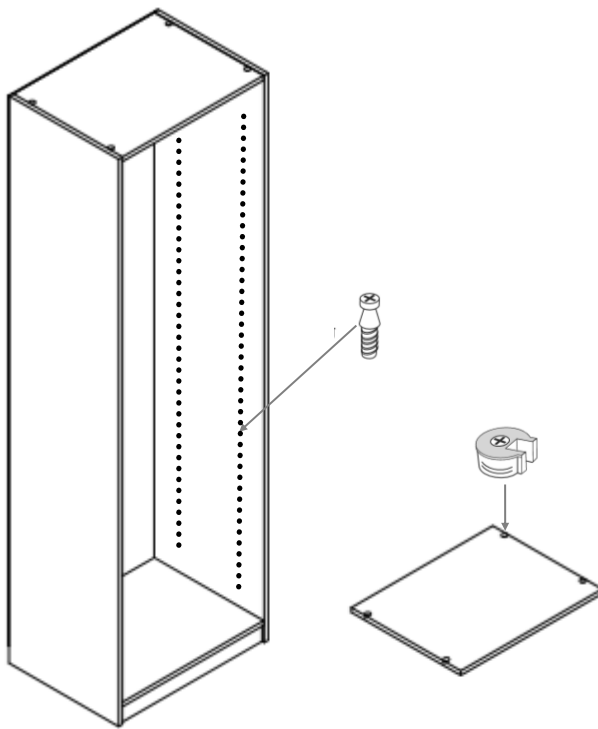
ASSEMBLY BACKING BOARD



Step 5: Proceed to nail the Backing Board (6) into position with a hammer.

It is important to make sure the Backing Boards are square with the left and right gables.

ASSEMBLY OF CAM SHELF



Step 1: Follow the below guide of which gable hole your cam shelf needs to be located. Count up from the base of the gable and using a Phillips head screwdriver to fit cam pins in.

Step 2: Put 4 cam heads into your cam shelf, turn it upside down and place inside the unit. Push the cam onto the pin.

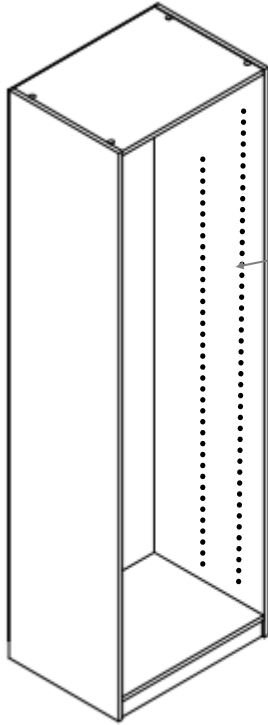
Step 3: Once in place tighten cam grub screw by using a Phillips head screwdriver. Repeat for all four cams.

Model	Cam Shelf Position
EXC-4J	30
EXC-5C	30
EXC-4B	36
EXC-750 HS	8
EXC-750 H1	8

Model	Cam Shelf Position
EXC-750 H2	11
EXC-750 H3	20
Ultra 515 & Maxi Ultra 515	26
Maxi Ultra HS	8
Maxi Ultra H1	8

Model	Cam Shelf Position
Maxi Ultra HS2	8-15
Maxi Ultra H2	13
Maxi Ultra 315C	25
MSM-16J3	22
MSM-C16 & Maxi-C16	30

ASSEMBLY ADJUSTABLE SHELF

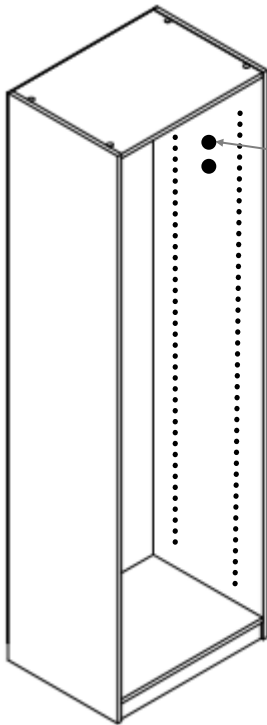


Shelf Support Pins

Step 1: Tap Shelf Support Pins into predrilled holes quantity 4 x Shelf Support Pins are required per Adjustable Shelf.

Repeat for each shelf at what ever height that suits.

ASSEMBLY FLANGES & HANGING RAIL



Step 1: Tap flanges into predrilled holes for the Hanging Rail.

If you wish you can screw in a wood screw into the middle screw for a more secure fixing.

Then slide the Hanging Rail into both the left and right flanges.



WARNING

Serious or fatal crushing injuries can occur from furniture tip over. To prevent this furniture from tipping over it must be permanently fixed to the wall with the included wall attachment devices.

When attaching unit to wall put safety bracket in middle of unit with 5/8 pan screw then 25mm pan head screw into wall. For plasterboard without a stud it is recommended to use a plug with screw (not provided).