

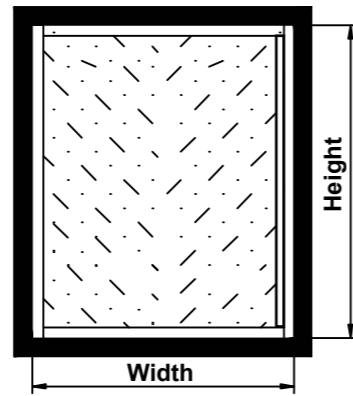


Appox.
1 Hour
Install

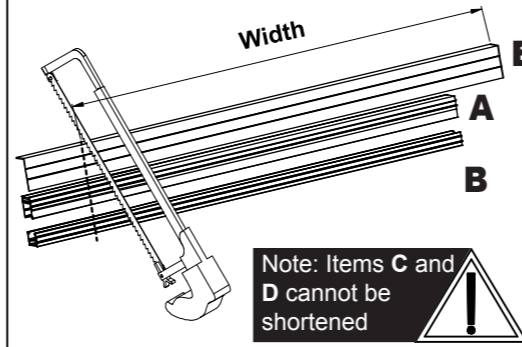


1 Person
Install

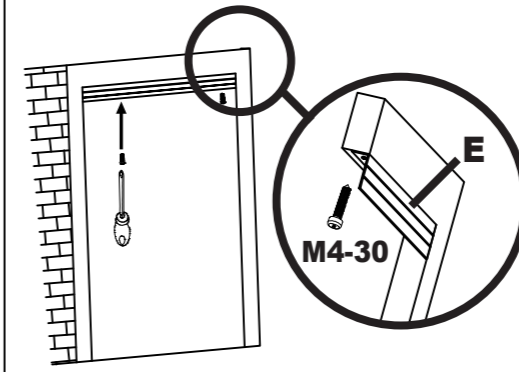
1 Measure opening **Width** and **Height** to ensure door suits application
- If Width is smaller, see **Step 2**.
- If Height is 204-209cm, see **Step 3**



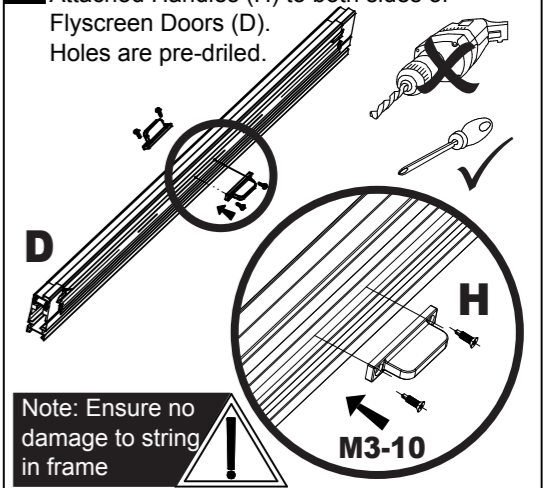
2 Trim frame and pelmet if required using a hack saw or drop saw with aluminium blade
If Height is 204-209cm, see **Step 3**



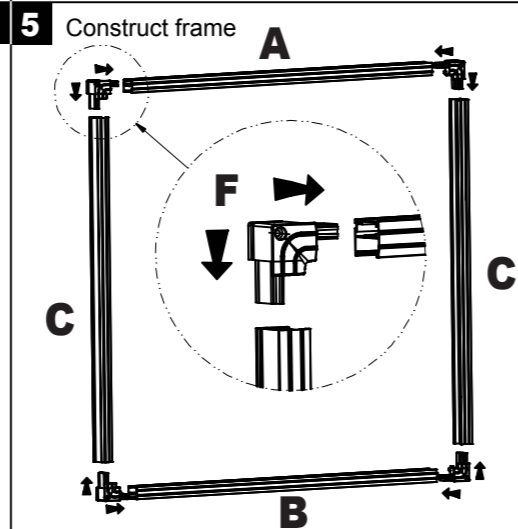
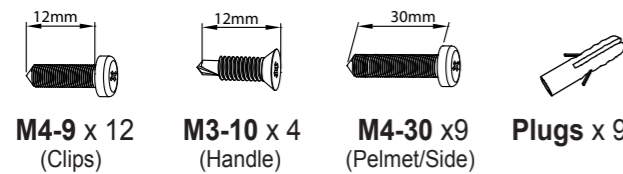
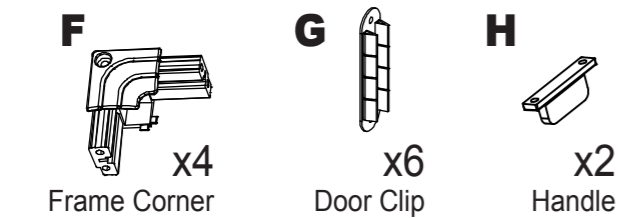
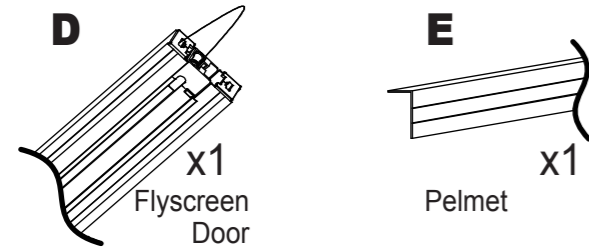
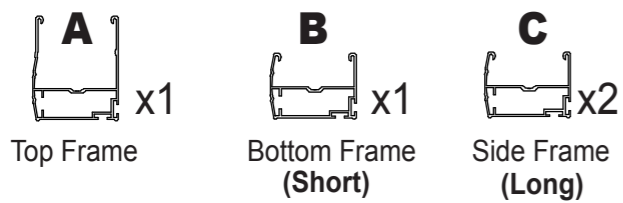
3 If Height is 204-209cm install Pelmet (**E**) as shown below with 2 or 3 M4-30 Screws to cover any gap



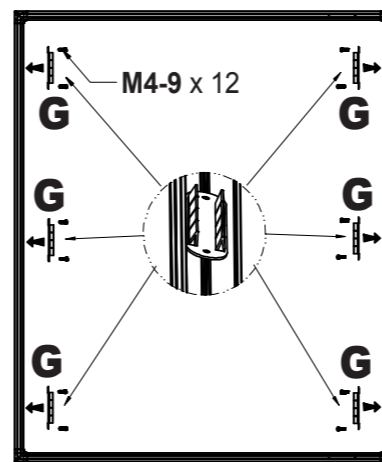
4 Attached Handles (**H**) to both sides of Flyscreen Doors (**D**). Holes are pre-drilled.



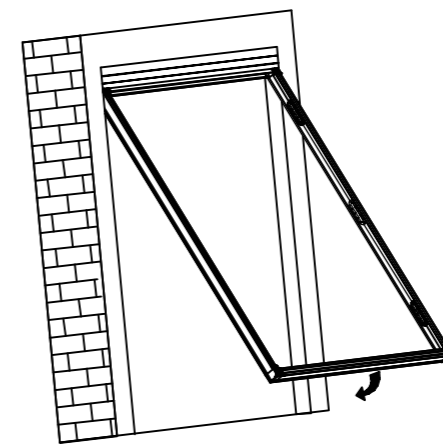
COMPONENT LIST



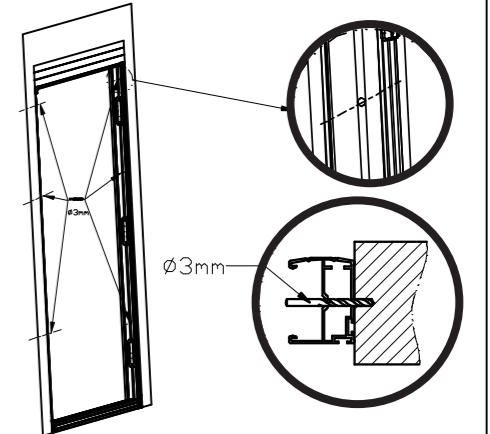
6 Screw clips into constructed door frame



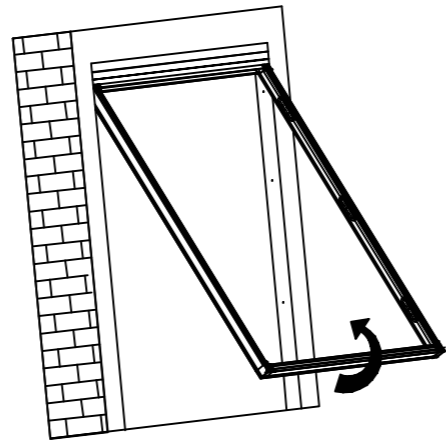
7 Insert door frame TOP first into opening



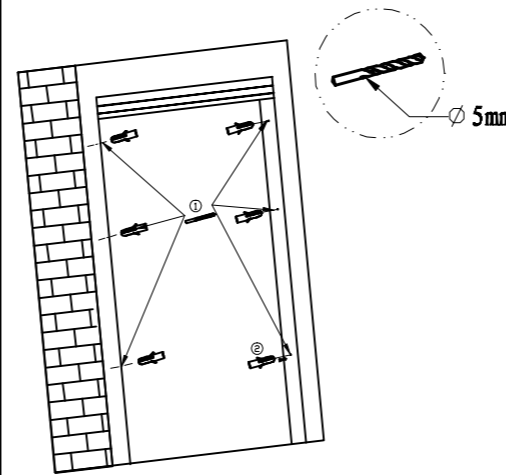
8 Pre-Drill holes through frame where required to allow for screws



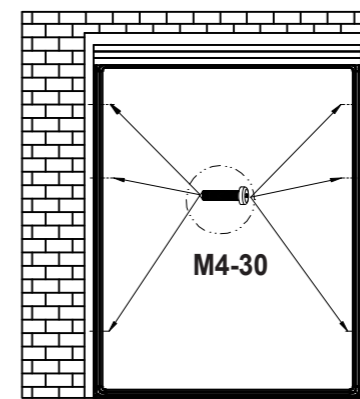
9 If installing into **timber frame**, temporarily remove door frame from opening



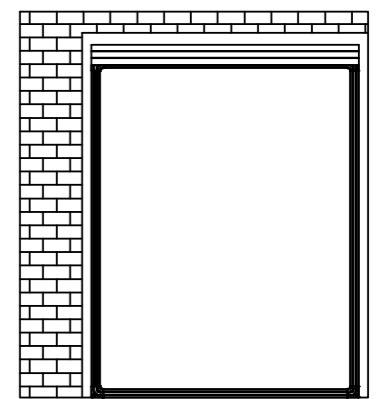
10 Drill 5mm holes into frame and insert plugs



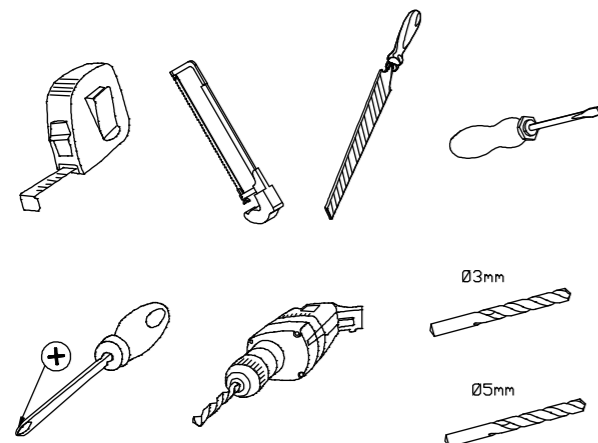
11 Re-install door as shown in **Step 7** and secure into place with screws



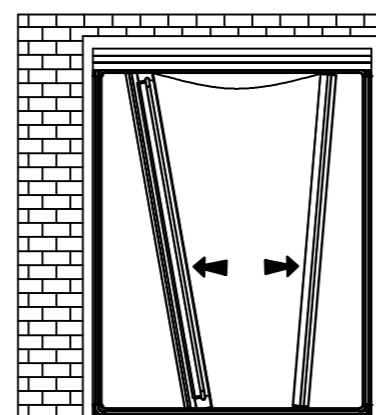
12 Ensure Tropix Frame is securely fastened in place before inserting flyscreen door.



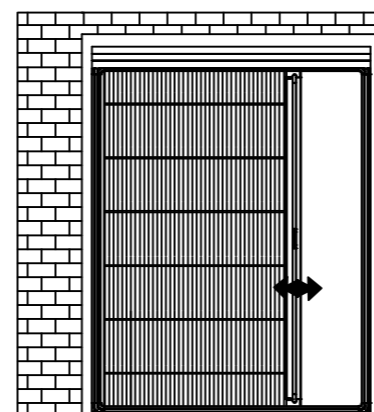
TOOLS REQUIRED



13 Clip flyscreen door (**D**) into frame clips (**G**). Reverse door for left or right side closure



14 Check to ensure door operated smoothly



15 If door requires string tension adjustment, simply lift/lower tension settings to suit.

