

# CRL4WHAU Remote Control

## SPECIFICATION and INSTRUCTION SHEET



**DESCRIPTION:** One Ceiling Fan & Light, 3 Speed Remote Control with Learn Receiver

**ELECTRICAL SPECS:** 220~240 Volts, 50 Hertz, Fan 100 W, Light 300W Incandescent or Halogen, 5 Wire Installation

See Catalog or visit our website [www.threesixtyfans.com.au](http://www.threesixtyfans.com.au)

**IMPORTANT:** YOU MUST SET YOUR CEILING FAN TO HIGH SPEED AND LIGHT KIT (IF ANY) TO THE ON POSITION BEFORE OPERATING YOUR REMOTE CONTROL.



**MUST BE INSTALLED  
BY A LICENSED  
ELECTRICIAN**

### ⚠ WARNING

To avoid possible electrical shock, be sure electricity is turned off at the main fuse box before wiring.

#### INSTALLATION INSTRUCTIONS:

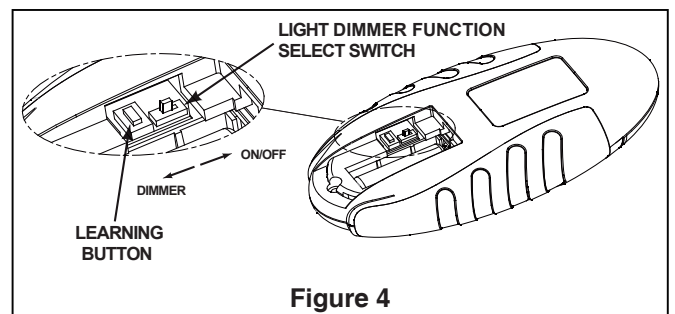
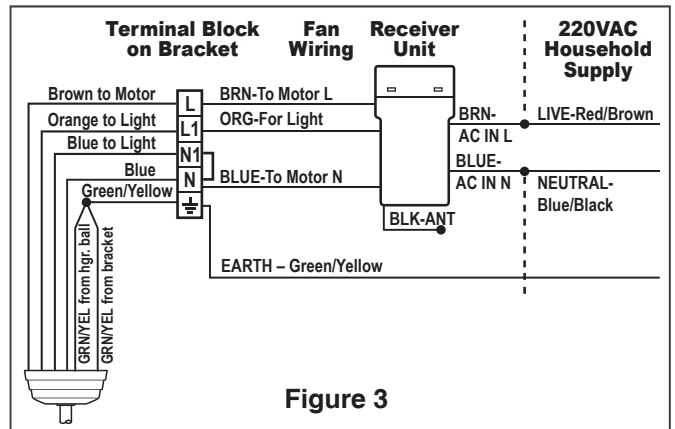
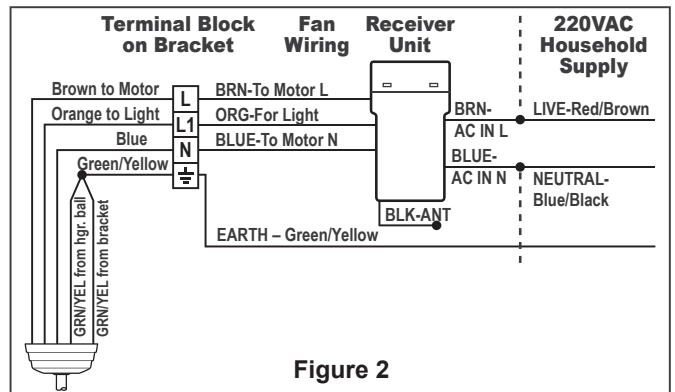
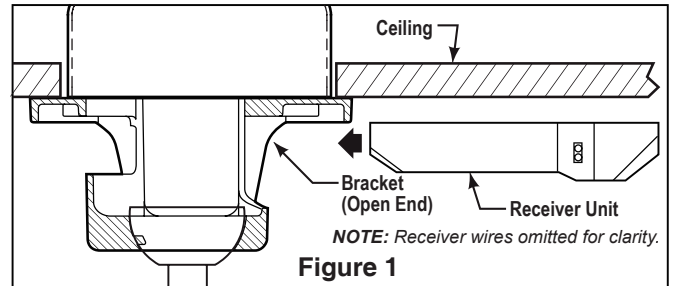
- Ceiling fan must be set at HIGH speed and light kit (if any) at the ON position by pressing the "Light Switch" after installation.
- Install Receiver in the Hanger Bracket:
  - Connect wires using connectors as shown in Figure 2.
  - Connect wires using connectors as shown in Figure 3.
- for fan model: FP6712AU, FP6716AU, FP6722AU, FP6728AU and FP6730AU.
- Position all connected wires and receiver antenna to allow installation of ceiling canopy.
- Using canopy screws threaded into the hanger bracket reinstall ceiling canopy.
- Restore electrical power

#### LEARN MODE PROCESS: (Figure 4)

- Control and receiver have been factory programmed. If replacing the transmitter or receiver, the learn mode process will need to be used.
- After installing the unit and restoring power to your fan, open the battery cover (with battery, DC12V/A23 1pc, installed) and press and hold the "LEARNING BUTTON" 1~3seconds with a ball-point pen or similar object. FAN will turn off and then turn to medium speed, which indicates that the learning process has completed. **IMPORTANT: You must press the "LEARNING BUTTON" within 60 seconds of restoring power to the fan. Remote does not need to be re-learned when replacing the battery.**
- If light kit has CFL bulbs, please slide the "light dimmer function select switch" to on/off position. If installed incandescent light bulbs onto ceiling fan, please slide the "light dimmer function select switch" to dimmer position.
- Please note, the remote can learn multiple receivers. 60 second time limit should eliminate need for this.

### ⚠ WARNING

Check to see that all connections are tight, including ground, and that no bare wire is visible at the wire connectors, except for the ground wire. Do not operate fan until the blades is in place. Noise and fan damage could result.



**REMOTE FUNCTIONS: (Figure 5)**

**LIGHT:** ON/OFF- Press and release immediately to turn on or off the light.

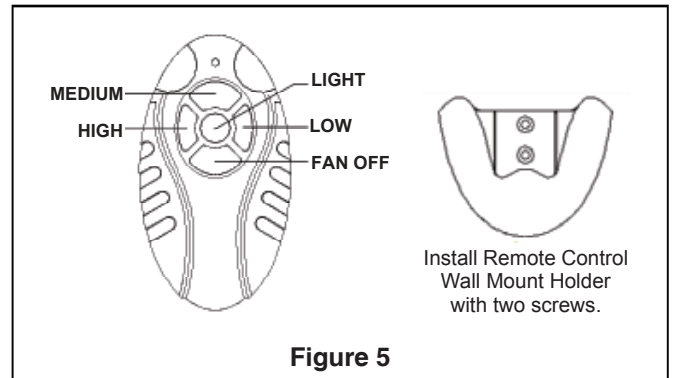
**DIMMER:** Press and hold to dim or brighten light to the desired level and release—feature can not be used with CFL bulbs

**OFF:** Turns off the fan

**HIGH:** Turns fan to high speed

**MED:** Turns fan to medium speed

**LOW:** Turns fan to low speed



**Figure 5**