

ThinkSolid™ Custom

Installation Guide

FOR MORE INFORMATION,
PLEASE CONTACT CASF
1300 366 113
thinkon@casf.com.au
Mon-Fri 9:00am - 5:00pm EST



Contents

Before you begin	2
Storage & preparation	2
Tools & materials you may need	3
Getting started	3
Sink & cooktop cut-outs	4
Cabinet Joins for 20mm benchtops	6
Joining & installation of benchtops	8

Before you begin

Please read this booklet before commencing installation of your benchtops. Some of the information may not be applicable to your particular installation, however certain stages of preparation and assembly are important, and spending a short time to review this booklet may save time later.

Important Notes

1. Installation of the benchtops MUST be carried out by a competent person. If in any doubt, consult an expert on 1300 366 113 for any technical advice.
2. Always carry your benchtop on edge (never flat) (see Fig. 1).
3. Do not rush your installation. Take time and care during installation to achieve a professional finish.
4. Protect your benchtop from damage by keeping all metal tools off the surface during the installation process.
5. Under no circumstances must screws be used directly into the benchtop.
6. When fixing benchtops to cabinets DO NOT use the brackets supplied with your cabinets. Use a silicone adhesive for this purpose.

Storage & preparation

Installation of the benchtops should be carried out as soon as possible after delivery. If storage is necessary, benchtops MUST be laid flat and fully supported in their original packaging (see Fig. 2). Make sure the storage area is indoors, and in a completely dry area. Do not unpack the benchtops unless the room humidity is stable and all cabinets are installed with any debris cleared away.

To achieve the best installation results, store your benchtops in a room temperature of around 20°C, at least 24 hours prior to installation.



Fig. 1

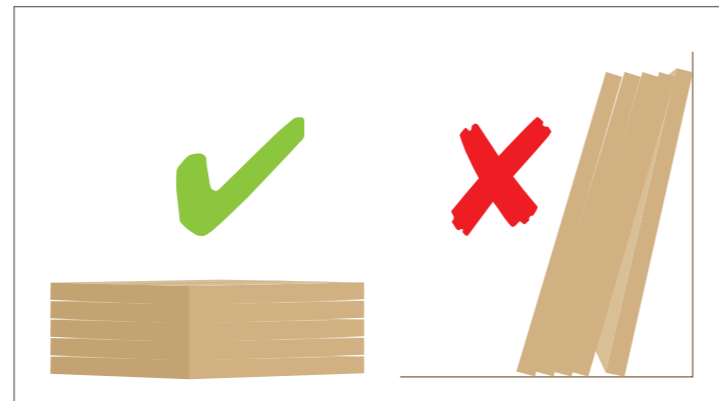


Fig. 2

Tools & materials you may need

Adhering your solid surface benchtop to your cabinets

- Tape measure
- Spirit level
- Silicone gun
- Methylated spirits and clean cloth
- Silicone glue
- Straight edge
- Packers or wedges

Joining

- Power/cordless drill
- Sanding block
- Methylated spirits
- Vacuum cleaner
- Face mask
- Safety glasses

Appliance Installation

- Pencil & square
- Jigsaw (used for cutting template board material)
- Router (1800-2300 watts/2.5-3hp), (used for cut-outs in Think Solid™ Custom benchtops)
- Sandpaper (150 grit, to smooth edges of cut-outs)
- 3M double sided tape as appropriate
- Template board material

INSTALLATION KIT INCLUDED WITH YOUR BENCHTOP ORDER

- Toggle bolts
- Toggle key
- Router bit (used for all cut-outs in Think Solid™)
- 3M heat conductive tape (used for all cooktop cutouts).
- translucent silicone glue

Getting started

CAUTION: Handle your benchtops with care. Do not place metal tools on the benchtop.

Checking your cabinets

It is critical in any benchtop installation that the cabinets or structures you intend to fit the benchtops to provide a **level** sturdy foundation. Remove all drawers and doors from the base cabinets and protect the decorative panels etc.

Always work away from a corner and select the correct benchtop component, in conjunction with your kitchen plan.

Professional Tip - The operation of sanding and routing will generate dust. It is strongly recommended to use extraction on your power tools to remove the dust, i.e. vacuum cleaner. There will be airborne dust which can only be cleaned after routing. Sealing doorways etc. to occupied areas is advisable or alternatively do these tasks externally.

Sink & cooktop cut-outs

Step 1 - Making cut-out templates

The use of an accurate template is one of the most essential elements to the successful completion of a cut-out in your Think Solid™ Custom benchtop.

- Ensure the appliance manufacturers paper templates are used to trace around the template board material supplied with your order. (see Fig. 3)
- Use a jig saw to make the cutout in the template board material.
- Sand the template board material smooth and perfectly shaped as possible.
- Gently position and clamp the template in the exact position of where you require the cut-out. (see Fig. 4)



Fig. 3



Fig. 4

Step 2 - routing

CAUTION: Only use a router when making a cut-out in a Think Solid™ Custom benchtop. Ensure you operate this power tool according to the manufacturer's instructions. Consult an expert if you have any doubt.

- Ensure the benchtop is properly supported before you commence routing the cut-out, making sure the waste part of the benchtop is supported at all times. (see Fig. 5)
- **CAUTION:** Failure to properly support the waste section of the cut-out will cause damage to your benchtop.
- **CAUTION:** A jig-saw should not be used to make the cut-out in the Think Solid™ Custom material.
- Once you have the template board clamped into the correct position, plunge the router into the cut-out using the profile router supplied with your install kit.
- Using the template board as your guide, route in a left to right direction around the template to complete the cut-out.
- Using a 150 grit sandpaper, sand the inside edge of the cut-out to remove cutting marks. (see Fig.7)
- Remove sharp edges at the top and bottom of the cut-out by sanding the edges to an approx. 2mm radius. This can be done with 150 grit sand paper and block. If this is not done correctly, fine cracks may appear in your benchtop over a period of time.
- **For cooktop cut-outs only, apply the aluminium heat conductive tape around the cut-out in one continual piece. (See Fig. 8) This is an important step to ensure the benchtop is protected from excessive heat**
- Ensure the aluminium heat tape extends up the cutout edge and over the surface of the benchtop enough to run past the outside edge of the cooktop flange. (see Fig. 8)

Professional Tip - Ensure all benchtop joints are a minimum of 150mm away from any appliance cut-out

Professional Tip - After properly finishing the edges of the off cut of your sink or cooktop cut out, apply four rubber feet under the surface and use this as a colour matched heat pad in your kitchen.



Fig.5



Fig.7



Fig.6



Fig.8

Step 3 - Sink & appliance fixing blocks

Important Note: All sink and appliance fixing blocks must be bonded in position before any benchtops are joined or fixed in place.

When installing a sink or appliance, ensure that no screws are used directly into the Think Solid™ Custom benchtops. All fixing should be into the timber subframe of the benchtop. In some installation scenarios it may be necessary to bond additional fixing blocks to the underside of the benchtops.

Undermounting your sink (if required)

Please note, if you intend to undermount your sink, you will need to position and fix the sink to the underside of the benchtop prior to the benchtop being installed on to the cabinets.

The following steps will prove helpful to achieve the best results when mounting your sink.

Step 1 Ensure you use the installation instructions provided by your sink manufacturer to obtain the best results.

Step 2 Ensure you locate the exact position of where you require your sink to be cut-out. Refer to the "Making cut-out templates and Routing" in this installation guide for help.

Step 3 Once the hole is cut, sand the inside edge of the cut-out smooth with a 150 grit sandpaper, making sure you remove all cutting marks.

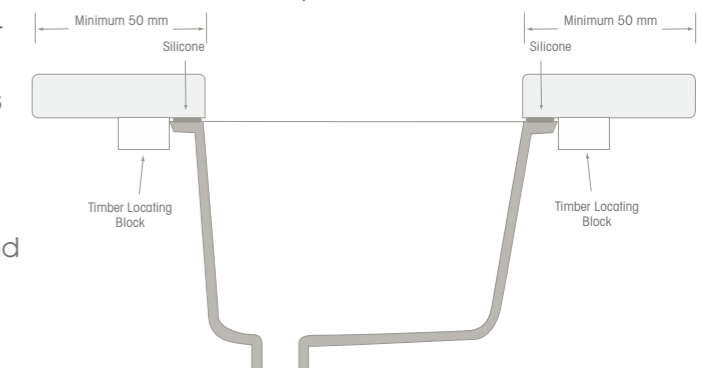
Step 4 Remove sharp edges at the top and bottom of the cut-out by sanding the edges to an approx. 2mm radius. If this is not done correctly, fine cracks may appear in your benchtop over a period of time.

Step 5 Turn the benchtop over and locate where to position any additional fixing blocks. Refer to "Sink & Appliance fixing blocks" section in this installation guide.

Step 6 Remove all dust or dirt around the underside of the cut-out. Apply a bead of silicone to the underside of the sink cut-out and position the sink under the benchtop.

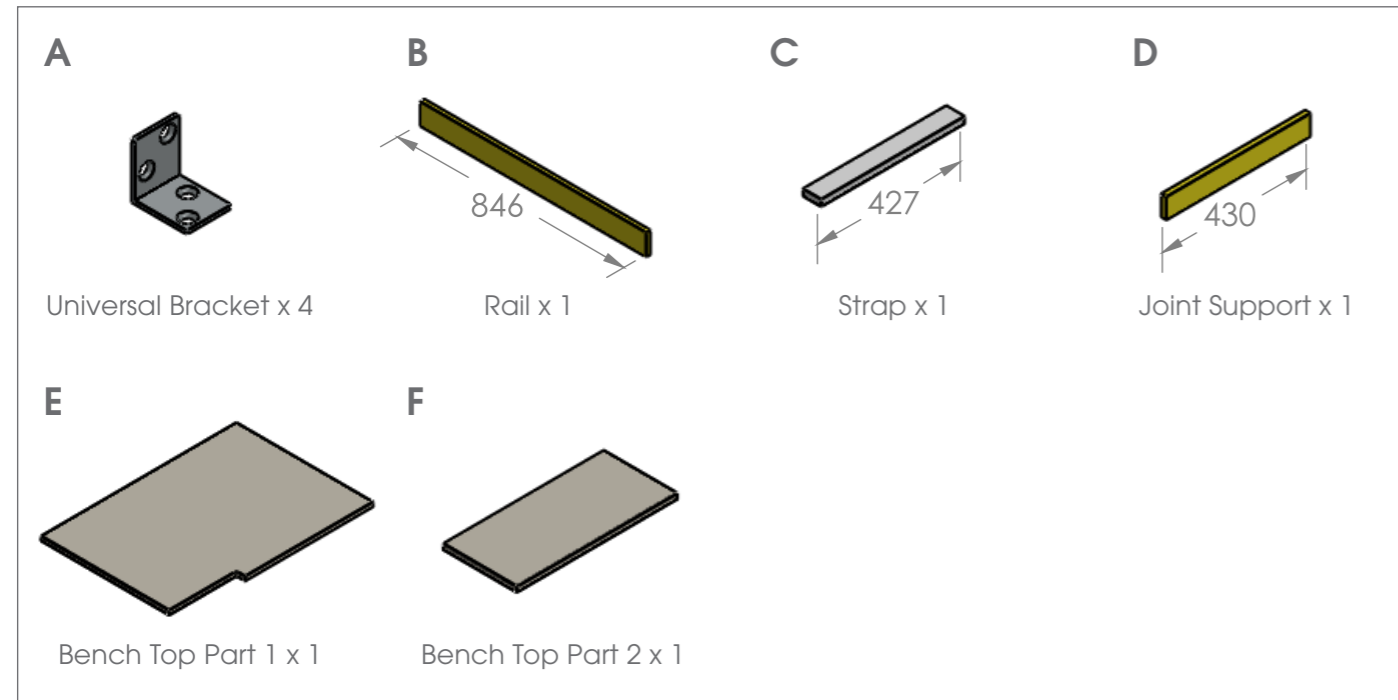
Step 7 Tighten the sink mounting screws to the timber subframe and any fixing blocks. Remove any excess silicone that oozes around the edge as per the manufacturer's instructions.

Step 8 Once you have installed the sink, turn the benchtop over to complete the overall benchtop installation. Refer to the "Joining and Installation of Benchtops" section of this installation guide.

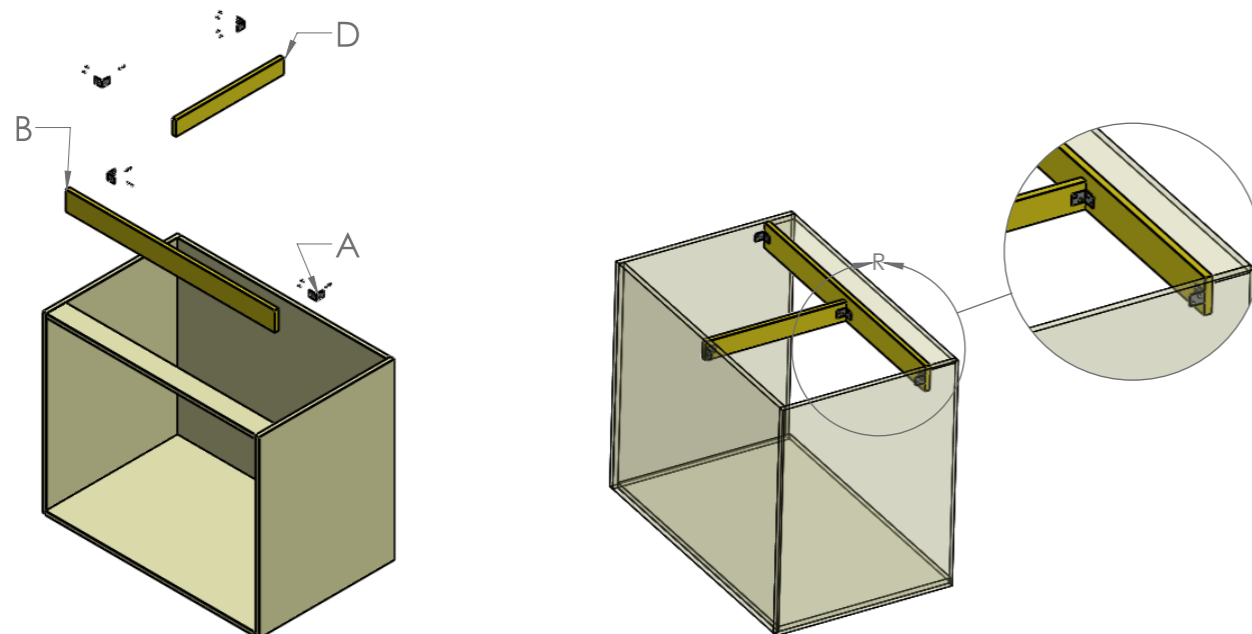


Cabinet joins for 20mm benchtops

Hardware Included

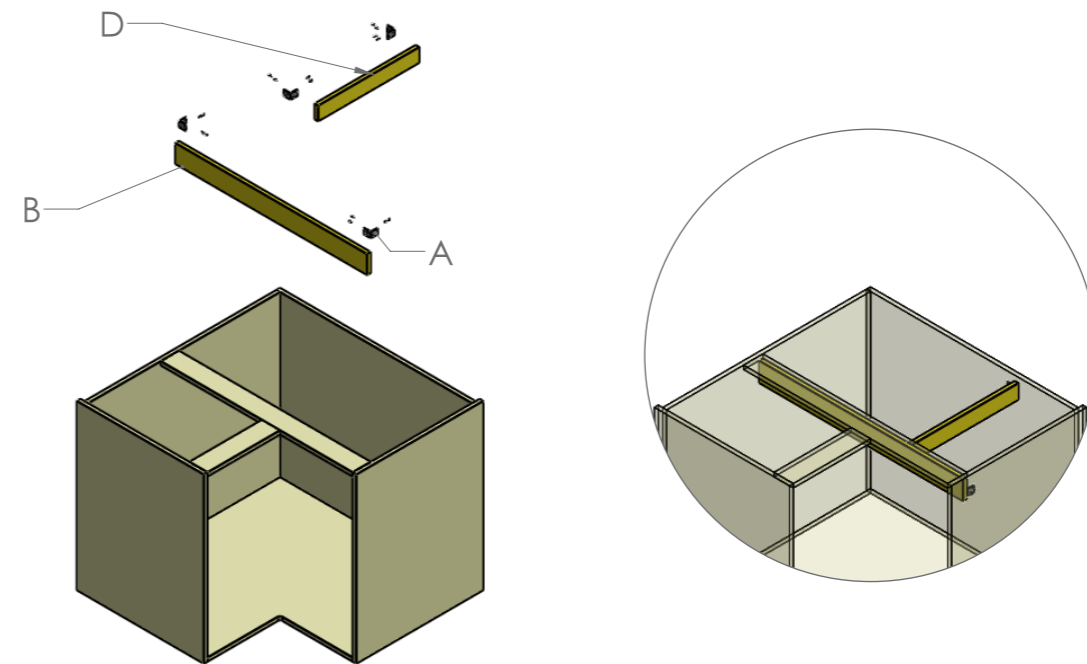


linear Join

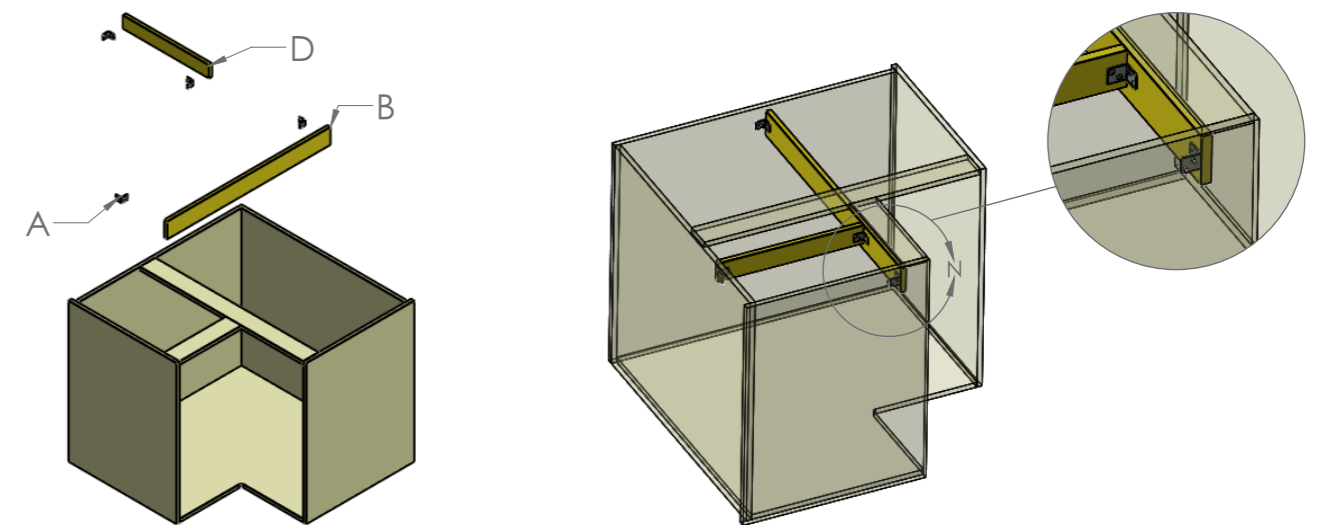


- Step 1** Screw brackets (A) into rail (B) and joint support (D) at each end.
 - Step 2** Line rail (B) vertically beside existing support and screw into the ends of cabinet.
 - Step 3** Line joint support (D) up vertically with where the bench join will be and screw into rail (B) and back of cabinet.
- Note:** You may need to cut joint support to length.

Right-Hand



Left-Hand



- Step 1** Screw brackets (A) into rail (B) and joint support (D) at each end.
- Step 2** Line rail (B) vertically underneath existing support along edge closest to the back and screw into the ends of cabinet.
- Step 3** Line joint support (D) up vertically with where the bench join will be and screw into rail (B) and back of cabinet.

Joining & installation of benchtops

Step 1 - Join preparation

After all cut-outs have been made, dry fit the pieces together to double check the alignment and fit. Also make sure the tops are level.

Note: Ensure the edges which are joining meet along the full length (see Fig. 9). When factory levelling inserts are positioned and benchtops are butted together they can be shimmed underneath with thin packing pieces (not supplied) to ensure the top surfaces are level.

Note: Properly leveled joins allow a better quality finish.



Fig.9

Step 2 - Cleaning and preparing joins

Clean the pre-prepared edges with methylated spirits prior to applying the translucent silicone. Ensure your hands are clean to avoid contamination of the silicone in the joint.

Step 3 - Positioning the first top

Start in a corner and work outwards. Apply small amounts of the translucent silicone sealant on the cabinet front & back rails, as well as other points where they make contact with the benchtops. (see Fig. 10) Gently fit the first top in place and check that it is level. For the first top, ensure the tongue is properly located in the edge of the factory prepared join. (see Fig. 11)

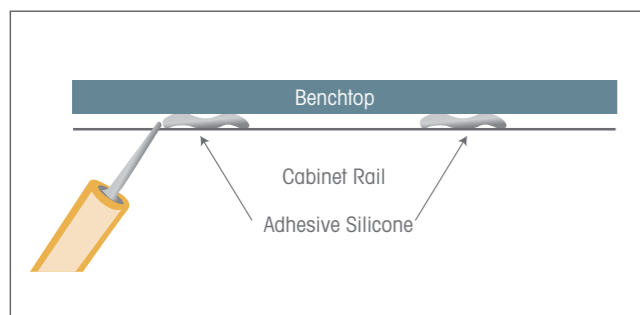


Fig.10

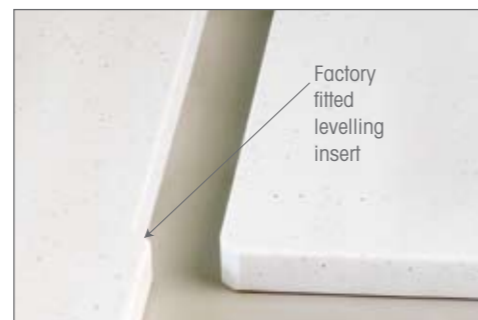


Fig.11

Professional Tip - To ensure that each toggle bolt can be accessed to be tightened using a power/cordless drill, check the positioning of where these will be located prior to installing the benchtops.

Step 4 - Installing the second/third tops

Apply translucent silicone sealant to the cabinets as before in Step 3.

Joining the benchtops together

CAUTION: When joining pieces together, ensure the factory-prepared edges of the join pieces are protected from damage when being positioned together.

CAUTION: Ensure hands are clean so as not to contaminate the silicone in the join.

Apply a bead of translucent silicone sealant along the adjoining edges (see Fig. 12). Bed the benchtop down onto the sealant and push the benchtops together ensuring they are aligned, and join firmly ensuring that a small amount of silicone sealant beads on the benchtop surface. (see Fig. 13).

Remove any excess translucent silicone sealant from the benchtop with a clean, moist cloth.



Fig.12



Fig.13

Insert the toggle bolts to the underside of the benchtop. Ensure the toggle key attachment is accessible once the benchtops have been positioned into place.

Using the toggle key, (see Fig. 14) tighten each of the toggle bolts from the underside of the benchtop to ensure a firm even join. (see Fig. 15) DO NOT overtighten these bolts.



Fig.14



Fig.15

For additional benchtops, follow instructions shown in the second and third tops section.

Once you have completed the installation of all benchtops, you can have your appliances installed by a licenced plumber and/or electrician.

Professional Tip - Installation of benchtops that have in excess of a 150mm overhang (eg Breakfast bars) will require additional support. Use of appropriate brackets is recommended to properly support these benchtops.

Professional Tip - Under no circumstances should screws be fixed directly into Think Solid™ Custom material.